



US00D415542S

**United States Patent** [19]  
**Luther, Sr.**

[11] **Patent Number: Des. 415,542**

[45] **Date of Patent: \*\* Oct. 19, 1999**

[54] **GOLF TEE**

5,413,330 5/1995 Disco et al. .... 473/403

[76] Inventor: **Walter C. Luther, Sr.**, Rte. 23, Box  
1526, Lake City, Fla. 32025

*Primary Examiner*—Ted Shooman  
*Assistant Examiner*—Richelle Shelton  
*Attorney, Agent, or Firm*—Arthur G. Yeager

[\*\*] Term: **14 Years**

[57] **CLAIM**

[21] Appl. No.: **29/099,329**

The ornamental design for golf tee, as shown and described.

[22] Filed: **Jan. 19, 1999**

**DESCRIPTION**

[51] **LOC (6) Cl.** ..... **21-02**

FIG. 1 is a top plan view of my golf tee showing my new design;

[52] **U.S. Cl.** ..... **D21/718**

FIG. 2 is a bottom plan view thereof;

[58] **Field of Search** ..... D21/715, 717,  
D21/718; 473/387-403

FIG. 3 is a side elevational view thereof; and,

FIG. 4 is a top isometric view thereof.

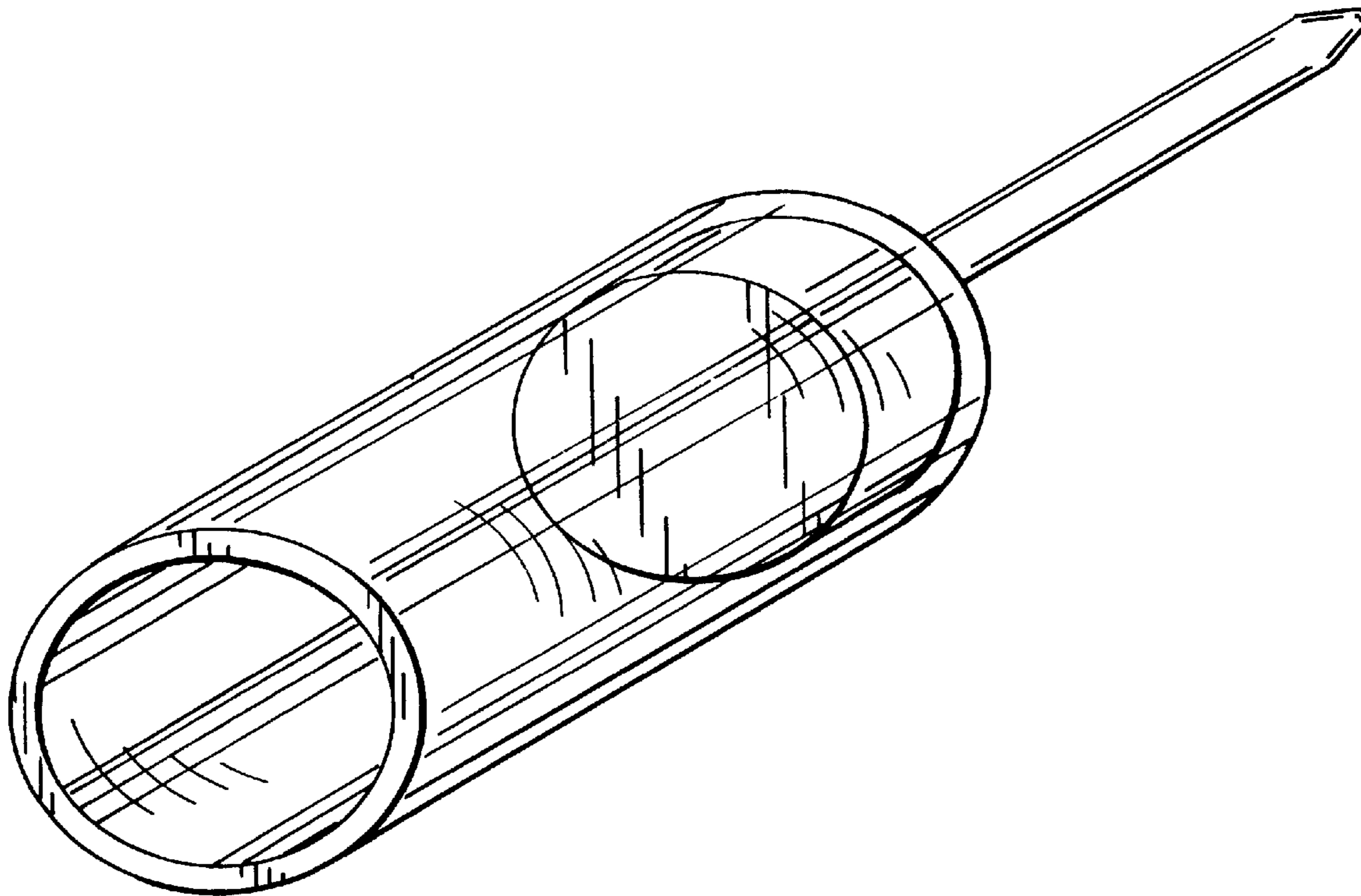
[56] **References Cited**

The clear round flexible tubing overlies and is affixed to the cylindrical plug from which pointed post extends.

**U.S. PATENT DOCUMENTS**

- D. 285,103 8/1986 Kurtz ..... D21/718
- D. 367,092 2/1996 Gustine ..... D21/718

**1 Claim, 2 Drawing Sheets**



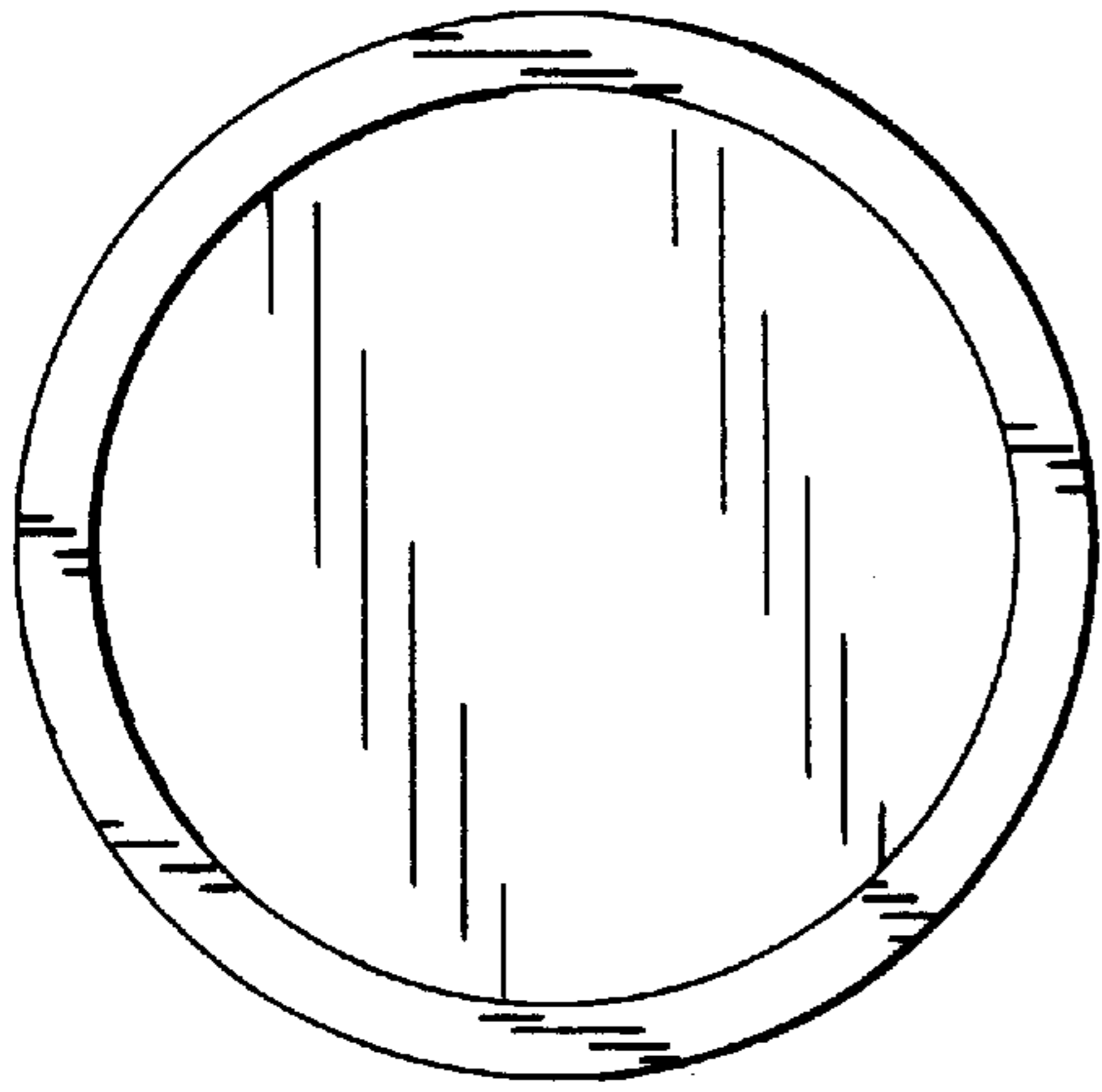


FIG. 1

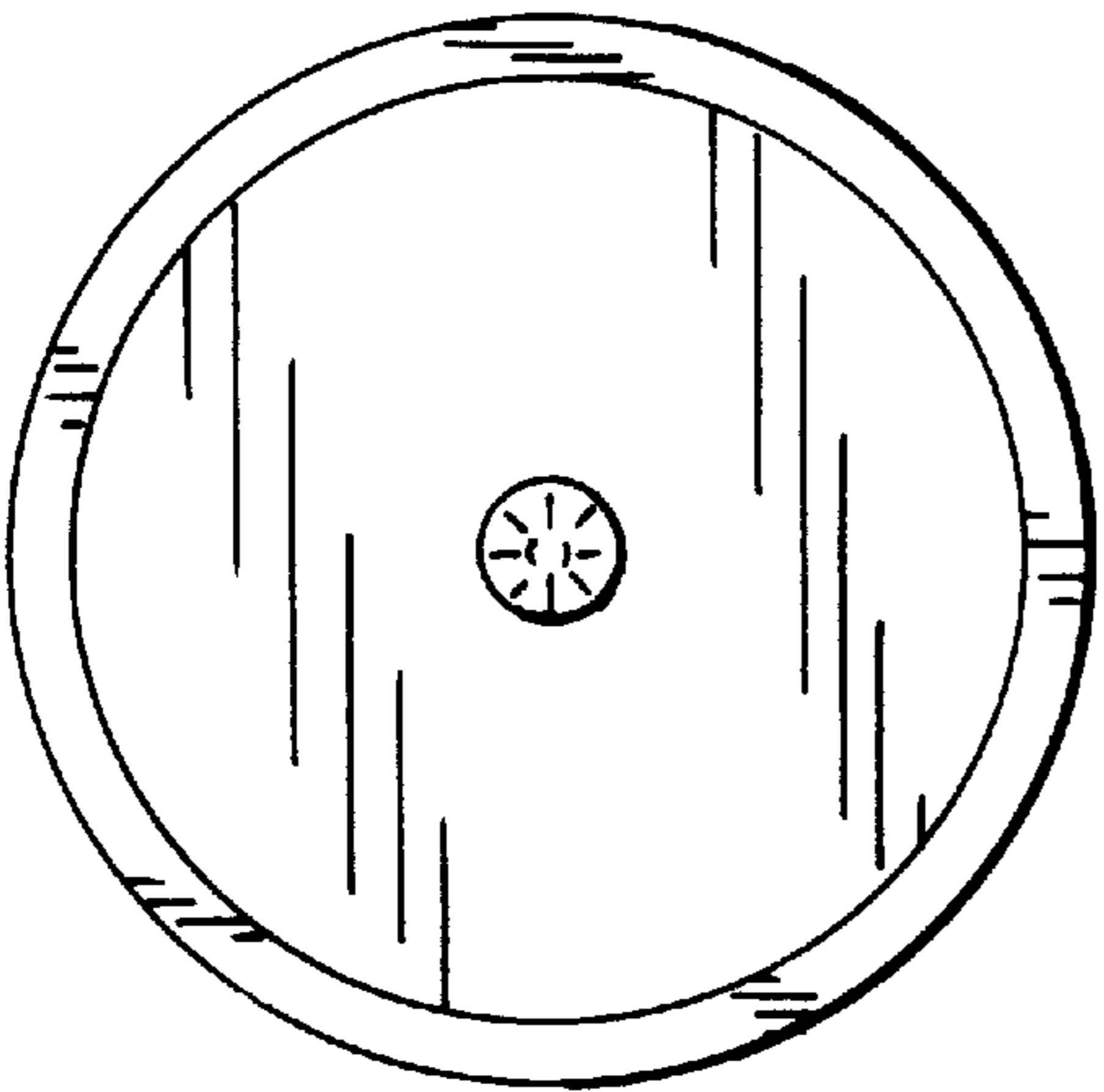


FIG. 2

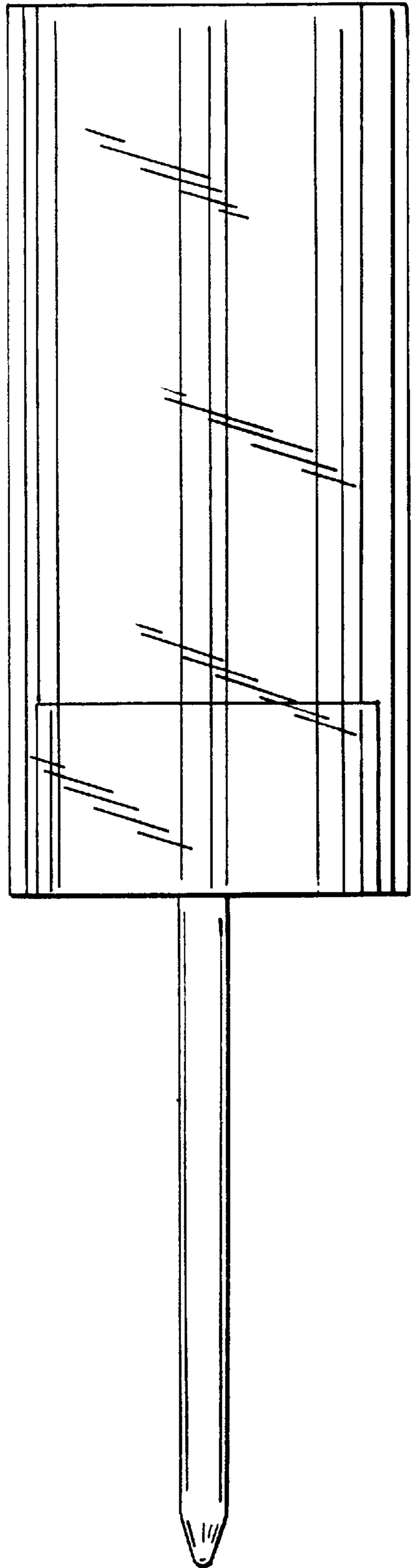


FIG. 3

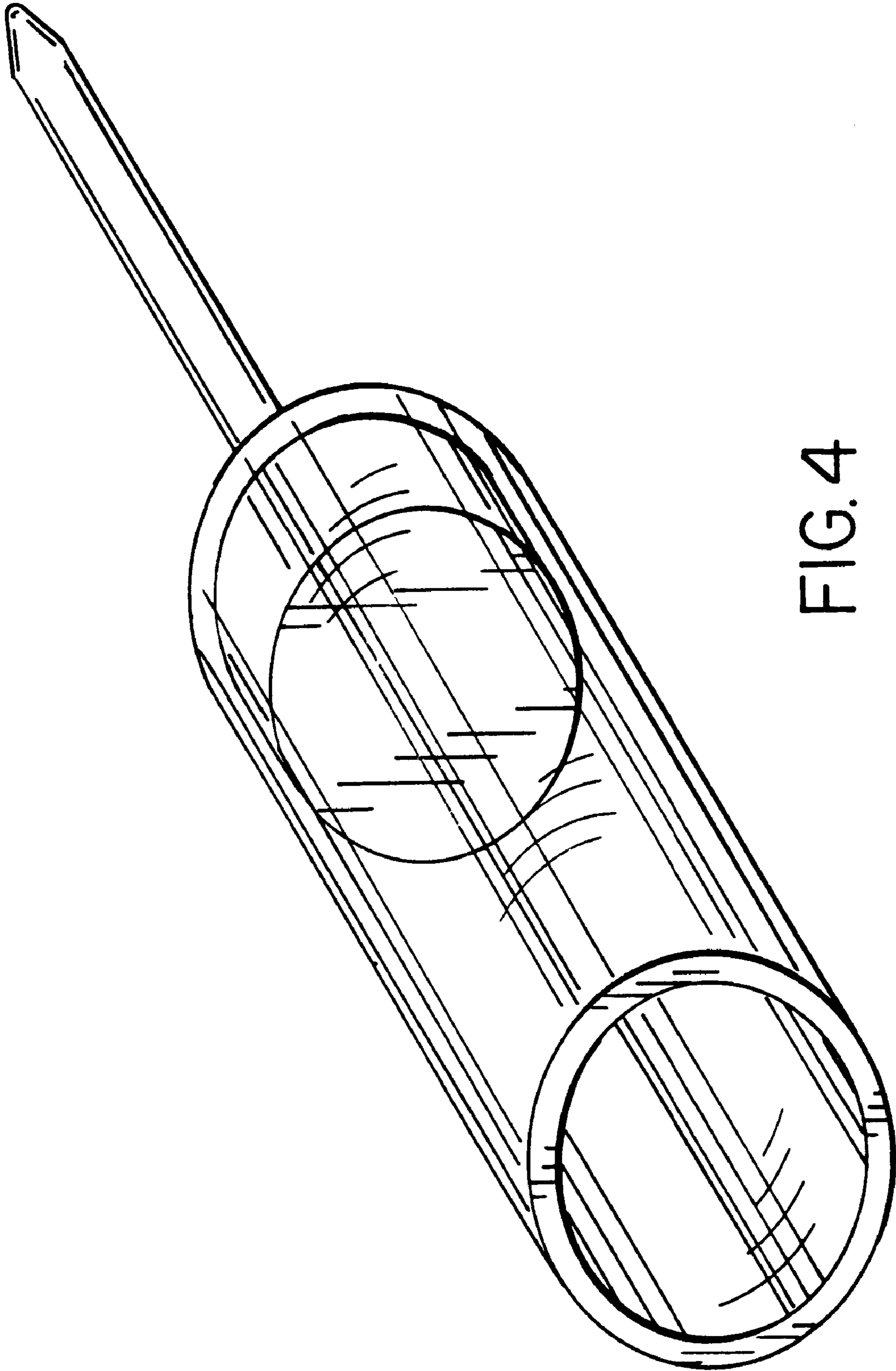


FIG. 4