



US00D415535S

United States Patent [19] Heidel

[11] **Patent Number: Des. 415,535**

[45] **Date of Patent: ** Oct. 19, 1999**

[54] **BILL DISPENSER**

[75] Inventor: **Raymond J. Heidel**, Henderson, Nev.

[73] Assignee: **Bally Gaming, Inc.**, Las Vegas, Nev.

[**] Term: **14 Years**

[21] Appl. No.: **29/084,559**

[22] Filed: **Mar. 5, 1998**

[51] **LOC (6) Cl.** **21-01**

[52] **U.S. Cl.** **D21/385; D21/369; D20/8**

[58] **Field of Search** **D20/8, 9; D21/369-371; 194/206; 273/138.1, 139, 142 R, 143 R, 145 A, 292; 463/13, 20, 29-32**

[56] **References Cited**

U.S. PATENT DOCUMENTS

D. 276,924	12/1984	Bellis	D20/9
D. 360,228	7/1995	Dabrowski	D20/8
D. 400,929	11/1998	Tanaka	D20/9
D. 404,075	1/1999	Hatamachi et al.	D20/8
5,265,874	11/1993	Dickinson et al.	273/138 A
5,393,061	2/1995	Manship et al.	273/143 R
5,515,959	5/1996	Stephenson, III et al.	194/206
5,544,728	8/1996	Dabrowski	194/206
5,570,885	11/1996	Ornstein	463/27
5,676,231	10/1997	Legras et al.	194/206
5,715,924	2/1998	Takemoto et al.	194/206
5,740,897	4/1998	Gauselmann	194/206
5,743,799	4/1998	Houriet, Jr. et al.	463/25

FOREIGN PATENT DOCUMENTS

4240797A1	6/1994	Germany	G07F 9/04
-----------	--------	---------------	-----------

WO 85/00910 2/1985 WIPO G07F 17/34

Primary Examiner—Sandra L. Morris
Attorney, Agent, or Firm—Fulwider Patton Lee & Utecht, LLP

[57] **CLAIM**

The ornamental design for a bill dispenser, as shown and described.

DESCRIPTION

FIG. 1 is a perspective view of a first embodiment of a bill dispenser showing my new design in a gaming machine; FIG. 2 is a perspective view of the first embodiment of the bill dispenser showing my new design; FIG. 3 is a top plan view thereof; FIG. 4 is a front elevational view thereof; FIG. 5 is a side elevational view thereof; FIG. 6 is a perspective view of a second embodiment of a bill dispenser showing my new design; FIG. 7 is a perspective view of a third embodiment of a bill dispenser showing my new design; FIG. 8 is a perspective view of a fourth embodiment of a bill dispenser showing my new design; FIG. 9 is a top plan view of a fifth embodiment of a bill dispenser showing my new design; FIG. 10 is a front elevational view thereof; and, FIG. 11 is a side elevational view thereof. FIGS. 2-11 are shown on an enlarged scale. The broken line drawing of the gaming machine in FIG. 1 is shown for illustrative purposes only and forms no part of the claimed design.

1 Claim, 5 Drawing Sheets

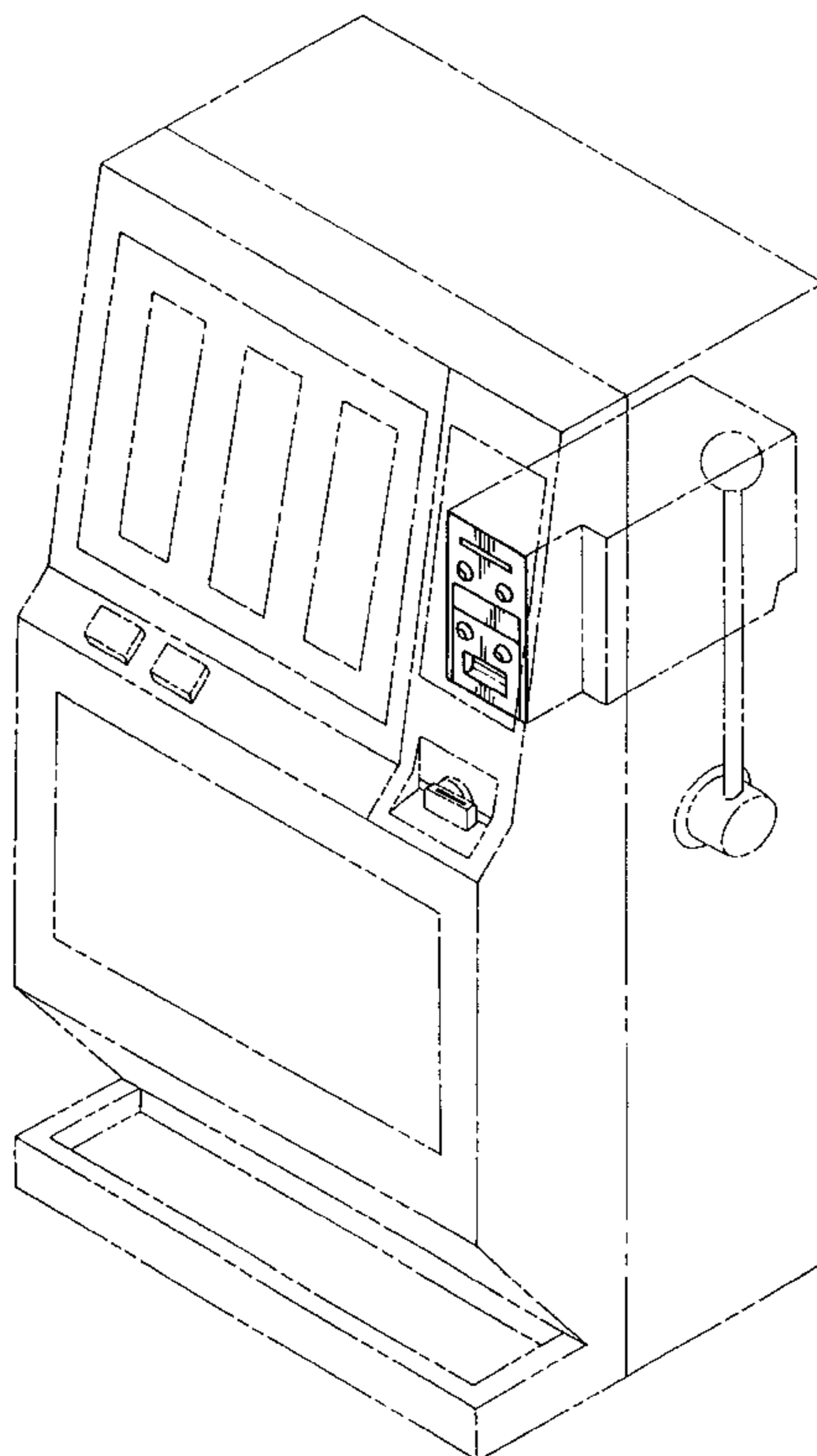


FIG. 1

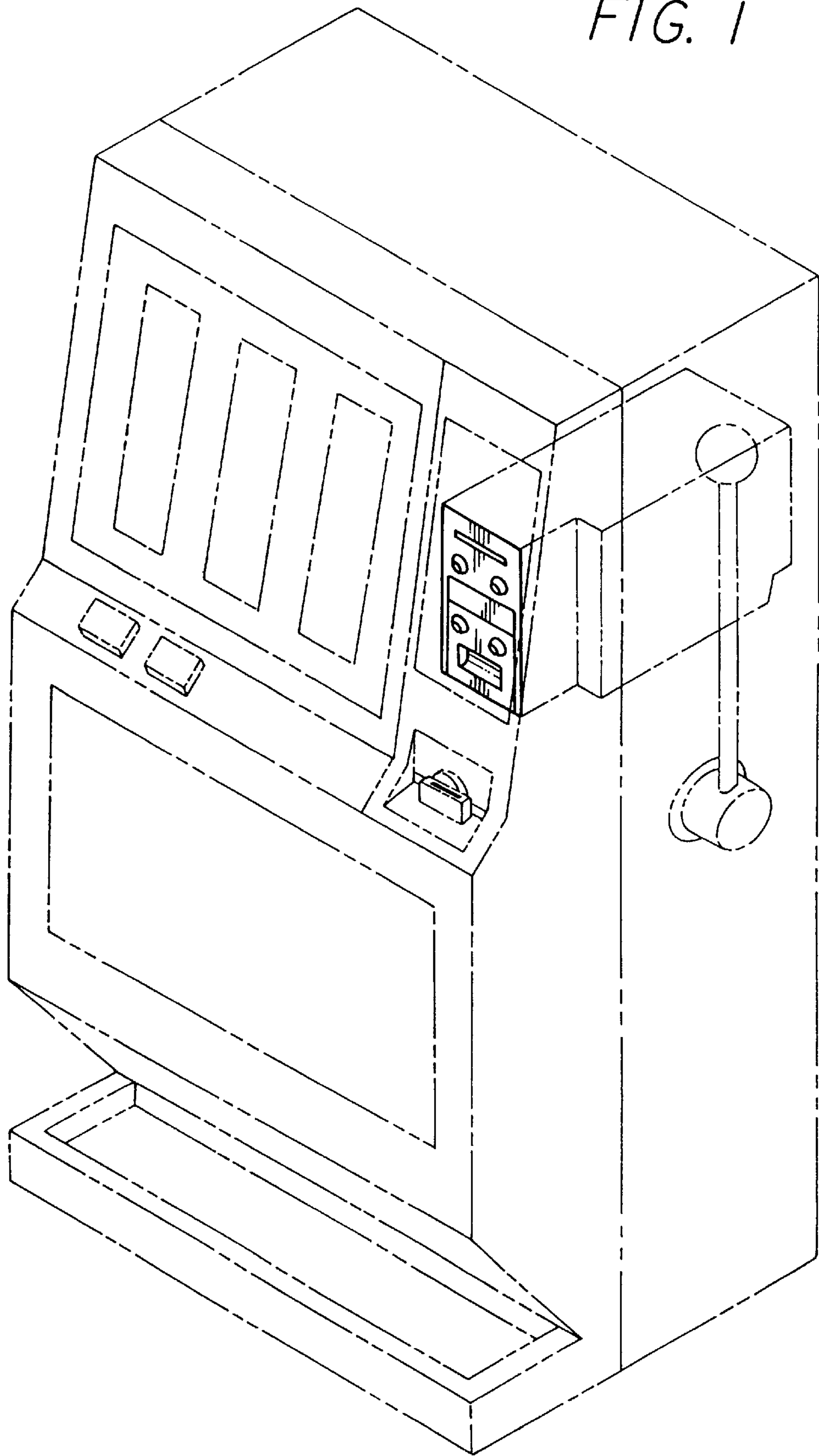
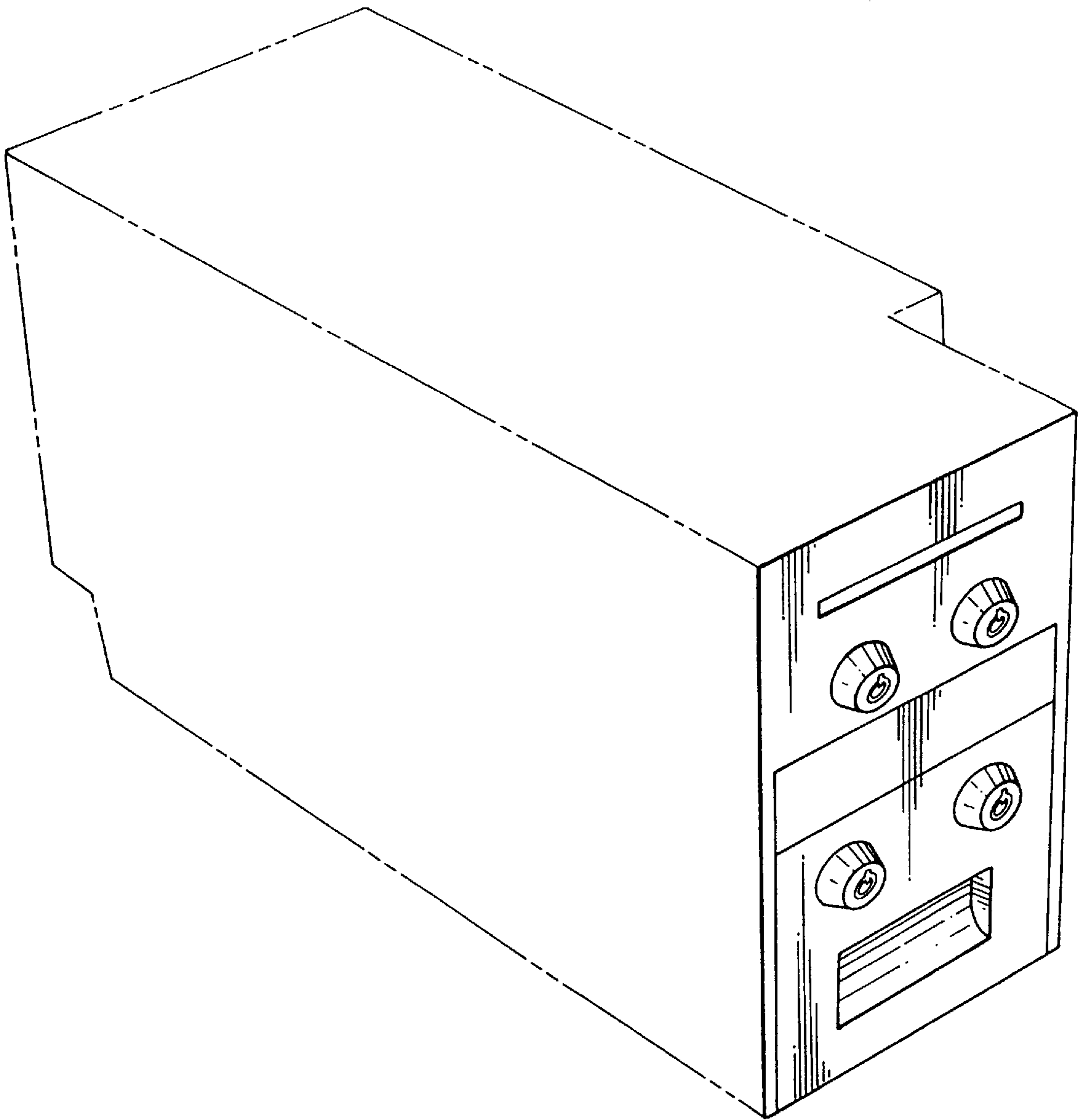


FIG. 2



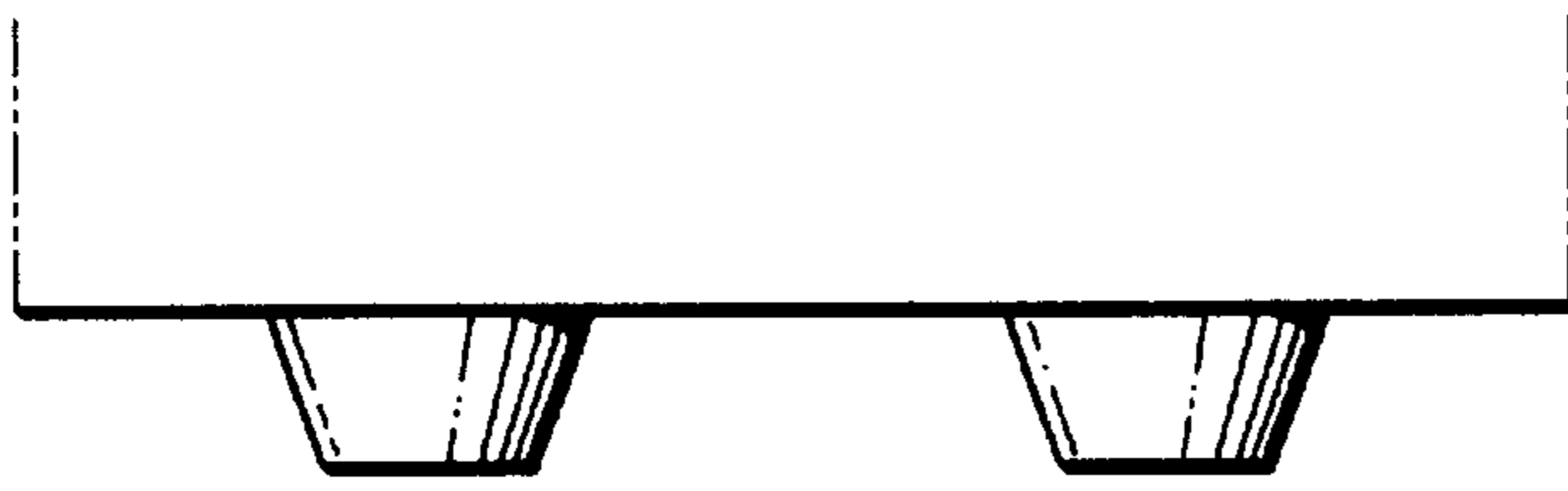


FIG. 3

FIG. 4

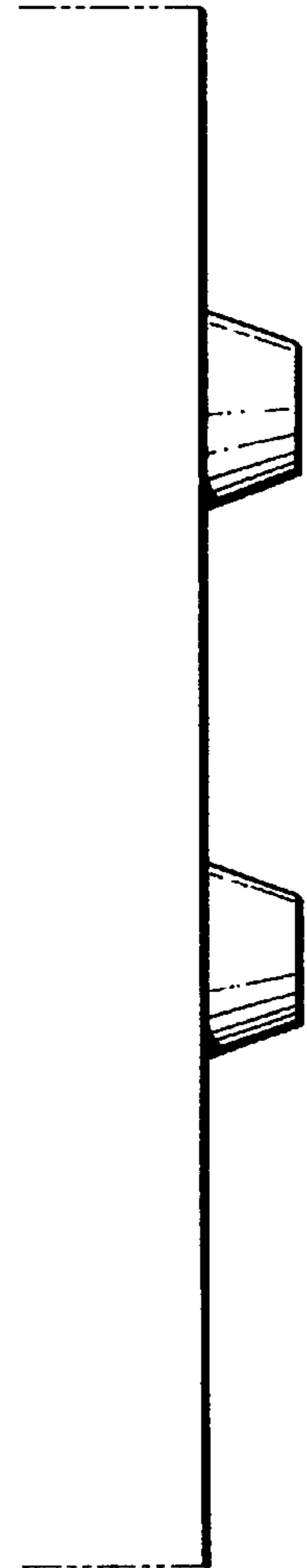
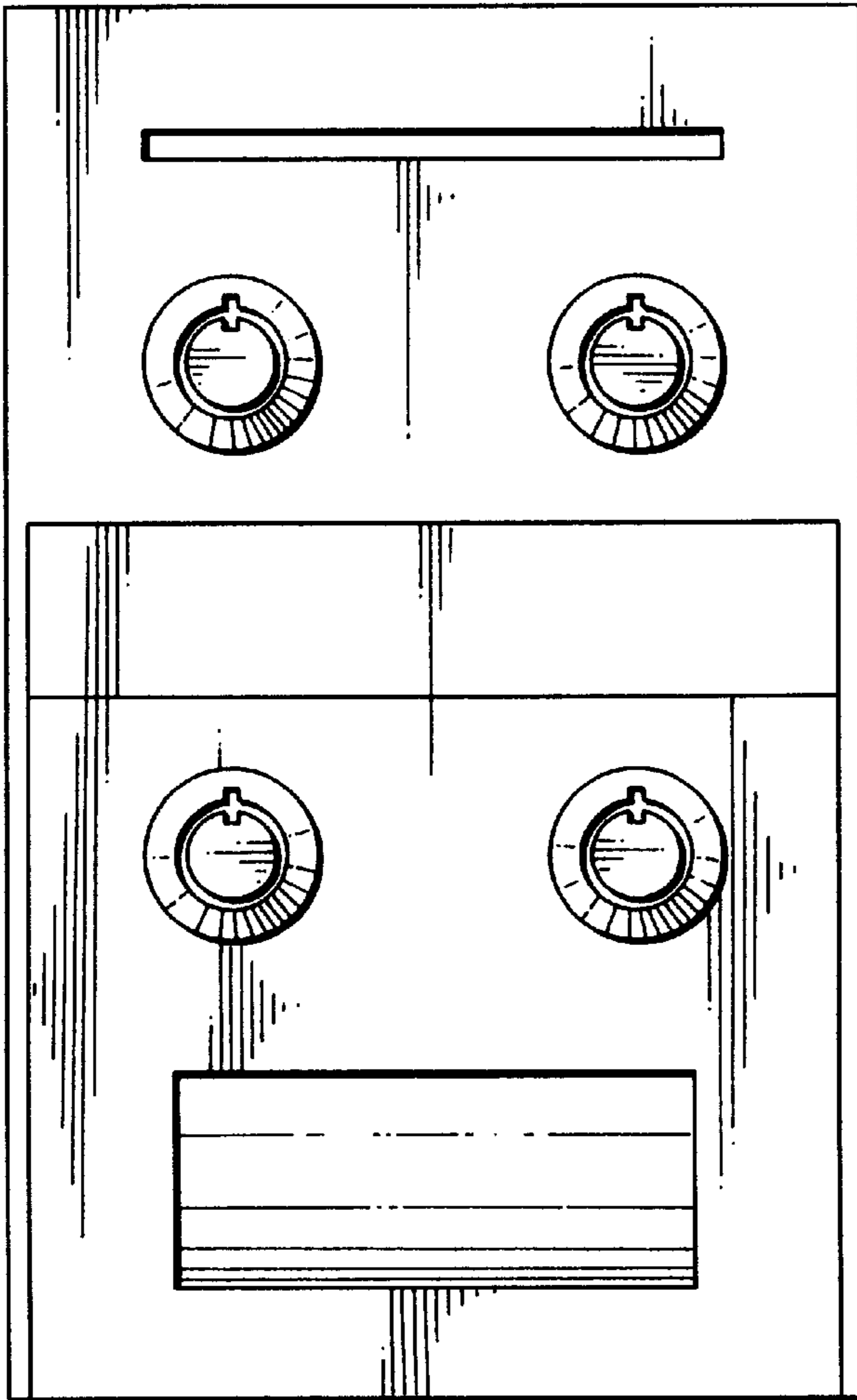


FIG. 5

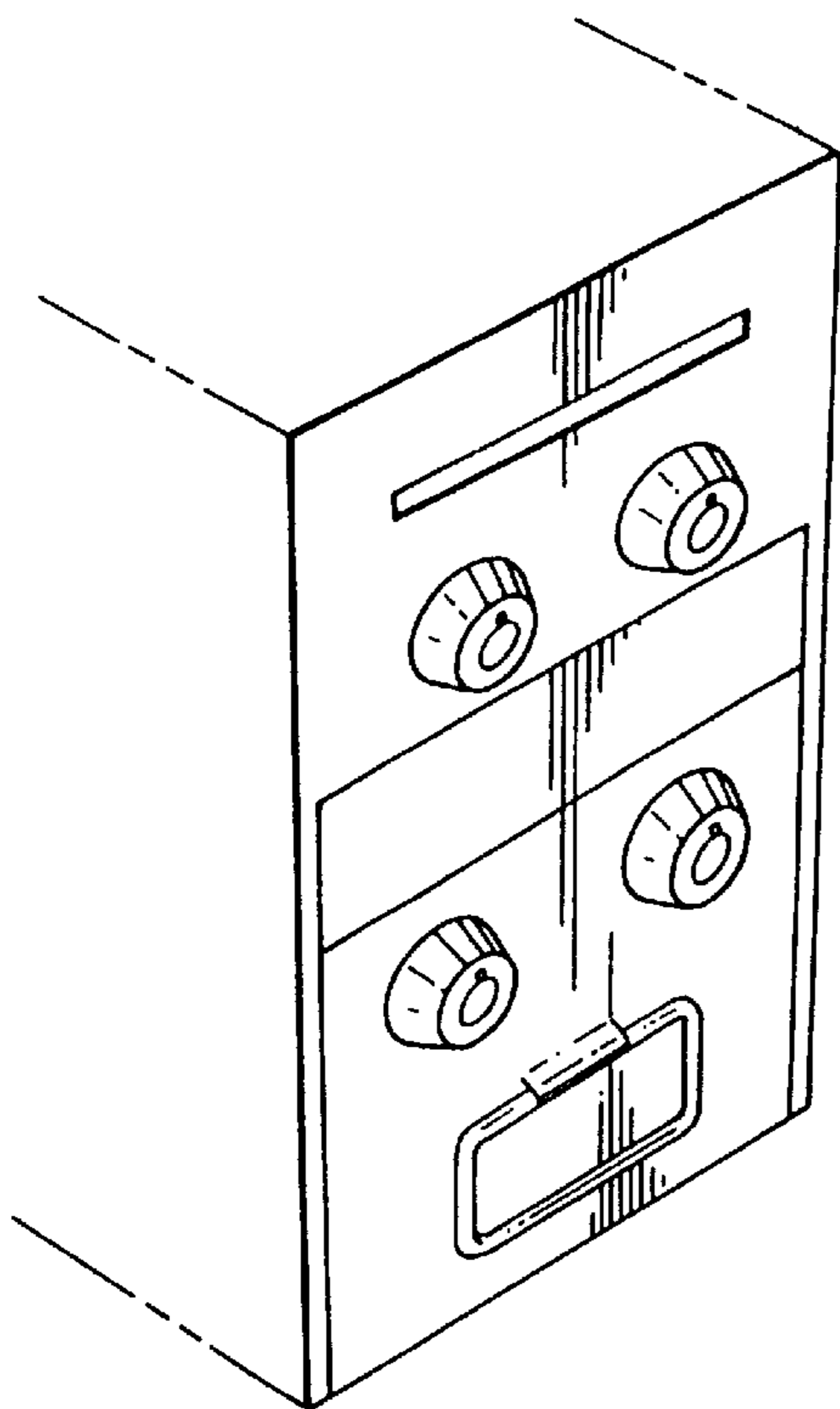


FIG. 6

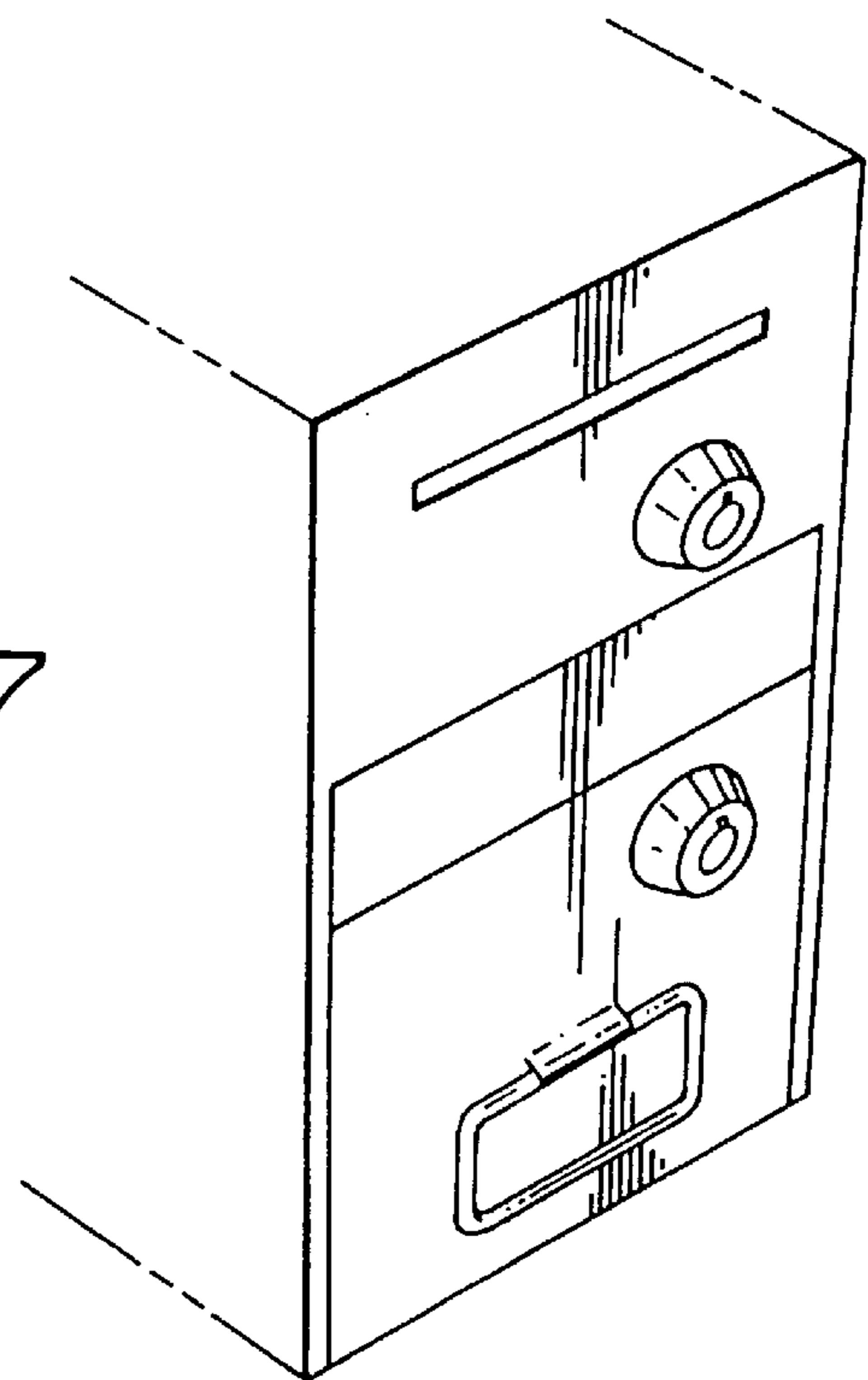


FIG. 7

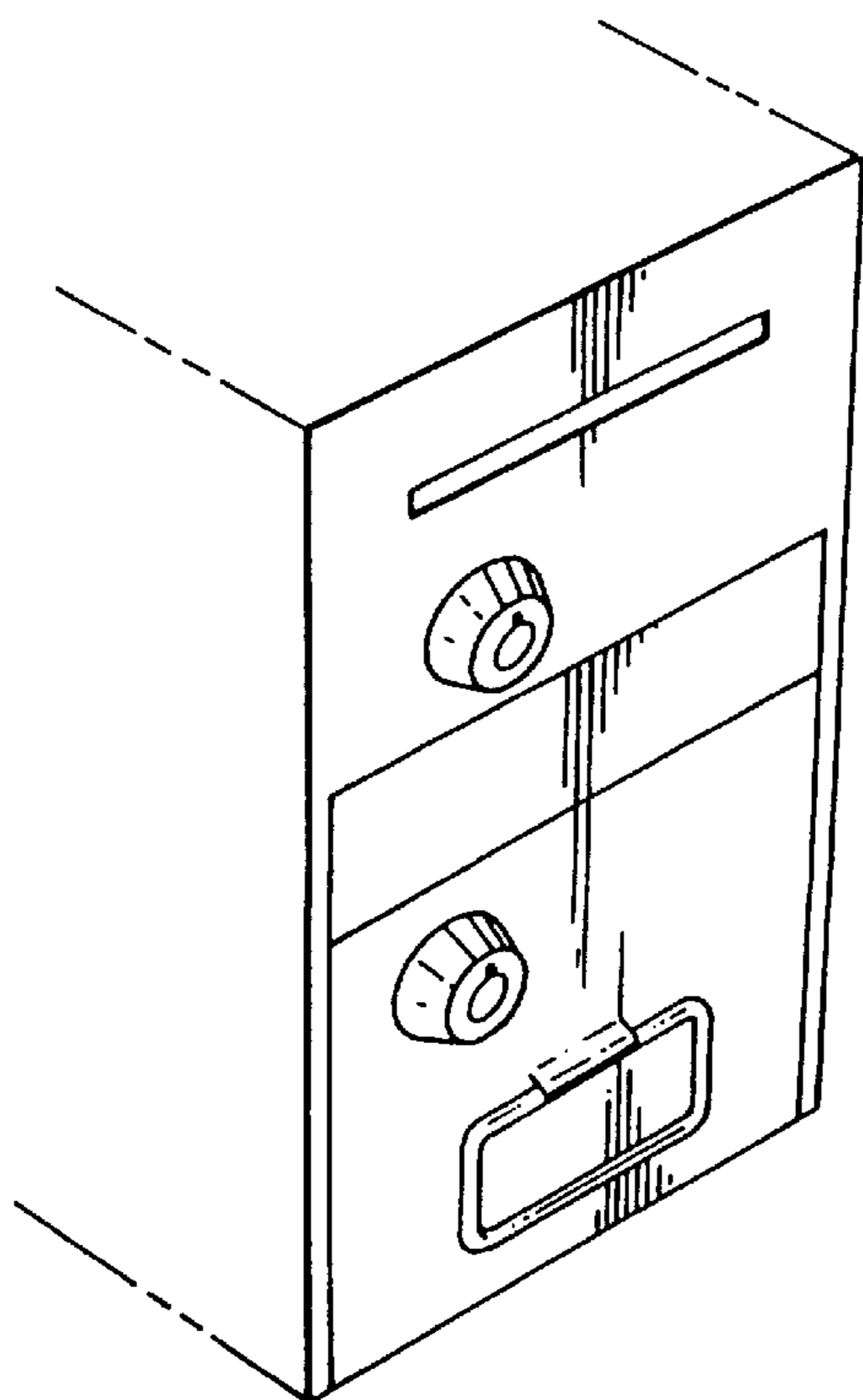


FIG. 8

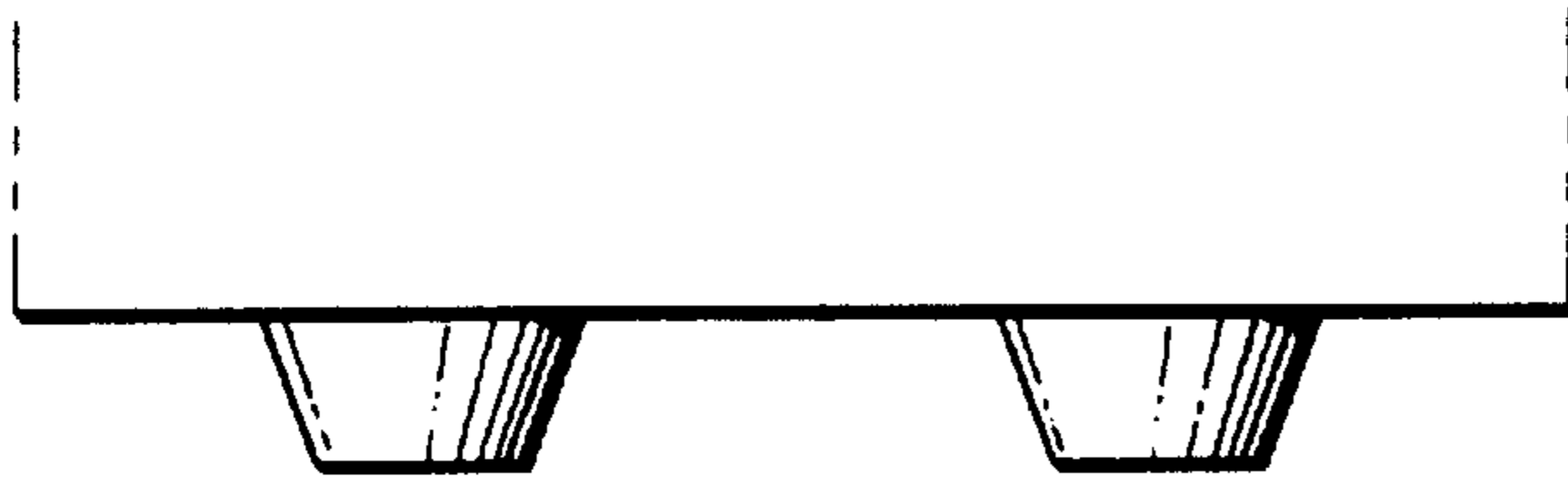


FIG. 9

FIG. 10

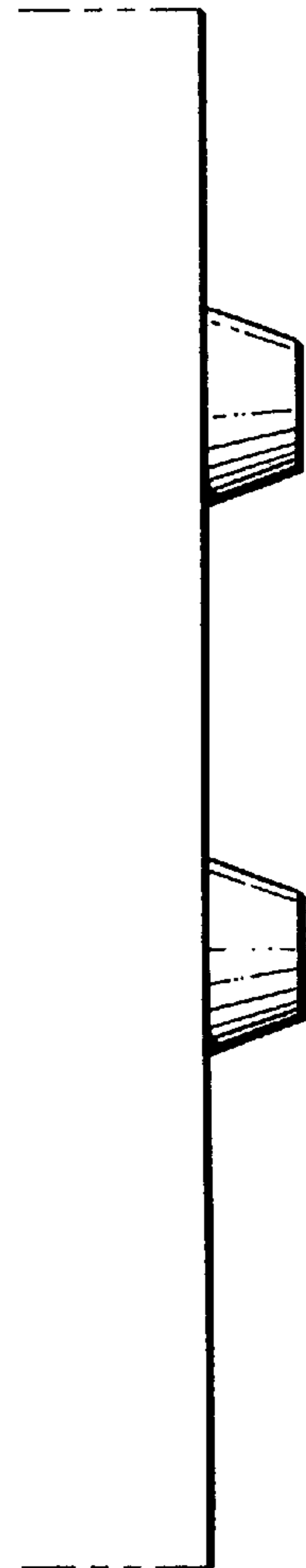
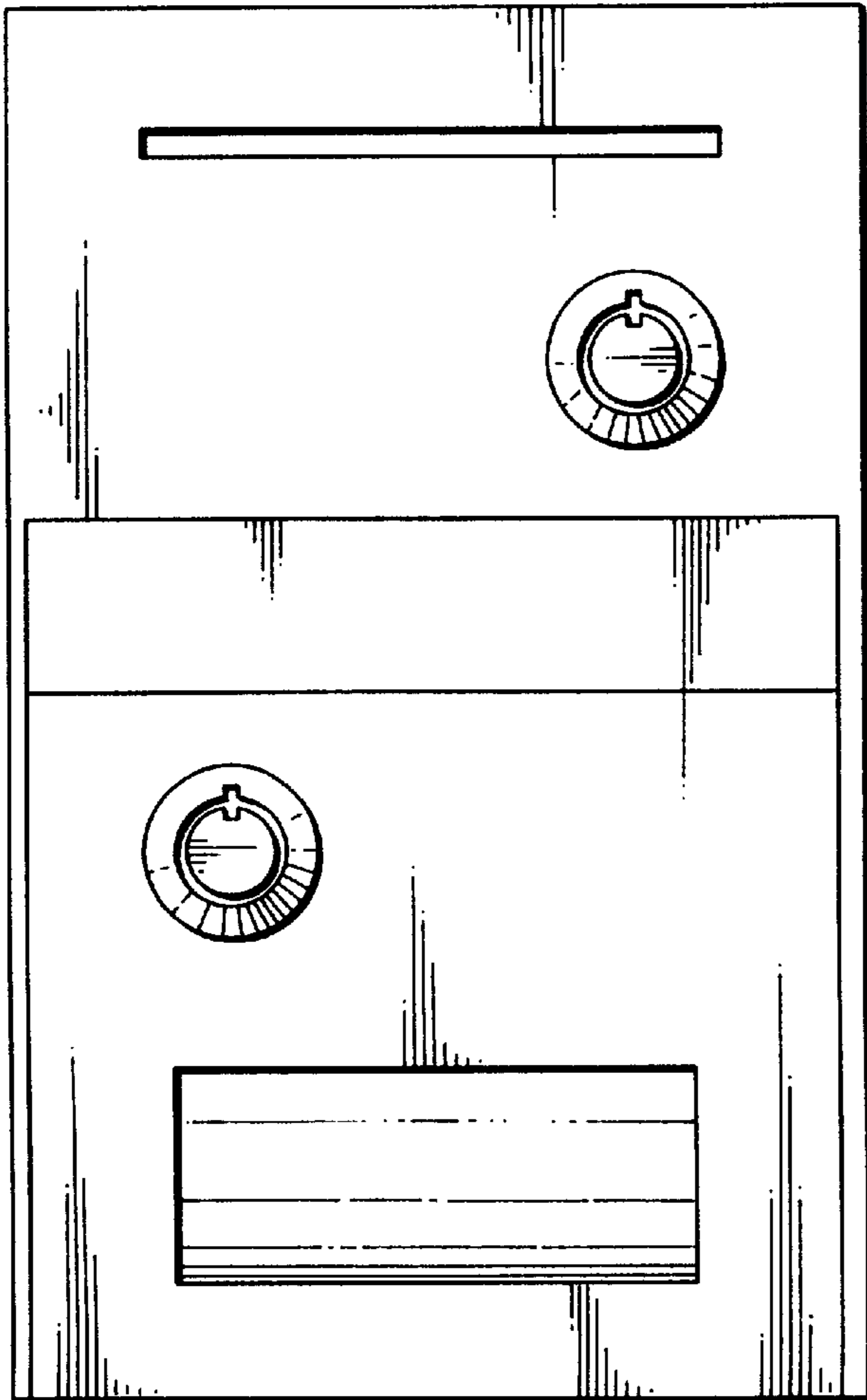


FIG. 11