



US00D415534S

# United States Patent [19]

Ashida

[11] Patent Number: **Des. 415,534**

[45] Date of Patent: **\*\* Oct. 19, 1999**

[54] **ADAPTER FOR GAME MACHINE**

[75] Inventor: **Kenichiro Ashida**, Higashiyama-ku, Japan

[73] Assignee: **Nintendo Co., Ltd.**, Japan

[\*\*] Term: **14 Years**

[21] Appl. No.: **29/087,449**

[22] Filed: **May 4, 1998**

### [30] Foreign Application Priority Data

Nov. 7, 1997	[JP]	Japan	9-74-246
Apr. 14, 1998	[JP]	Japan	10-10936

[51] **LOC (6) Cl.** ..... **21-01**

[52] **U.S. Cl.** ..... **D21/332**

[58] **Field of Search** ..... D14/100, 114,  
D14/109; D21/324-33; 463/1, 30-35, 43-47;  
273/148 B

### [56] References Cited

#### U.S. PATENT DOCUMENTS

D. 315,577	3/1991	Wang	D21/332
D. 327,918	7/1992	Cordell	D21/332
D. 369,352	4/1996	Iwakami	D14/114
D. 379,832	6/1997	Ashida .	
D. 393,013	3/1998	Ashida .	
D. 404,081	1/1999	Ota et al.	D21/332

D. 405,477 2/1999 Ota et al. .... D21/332

*Primary Examiner*—M. H. Tung  
*Attorney, Agent, or Firm*—Nixon & Vanderhye P.C.

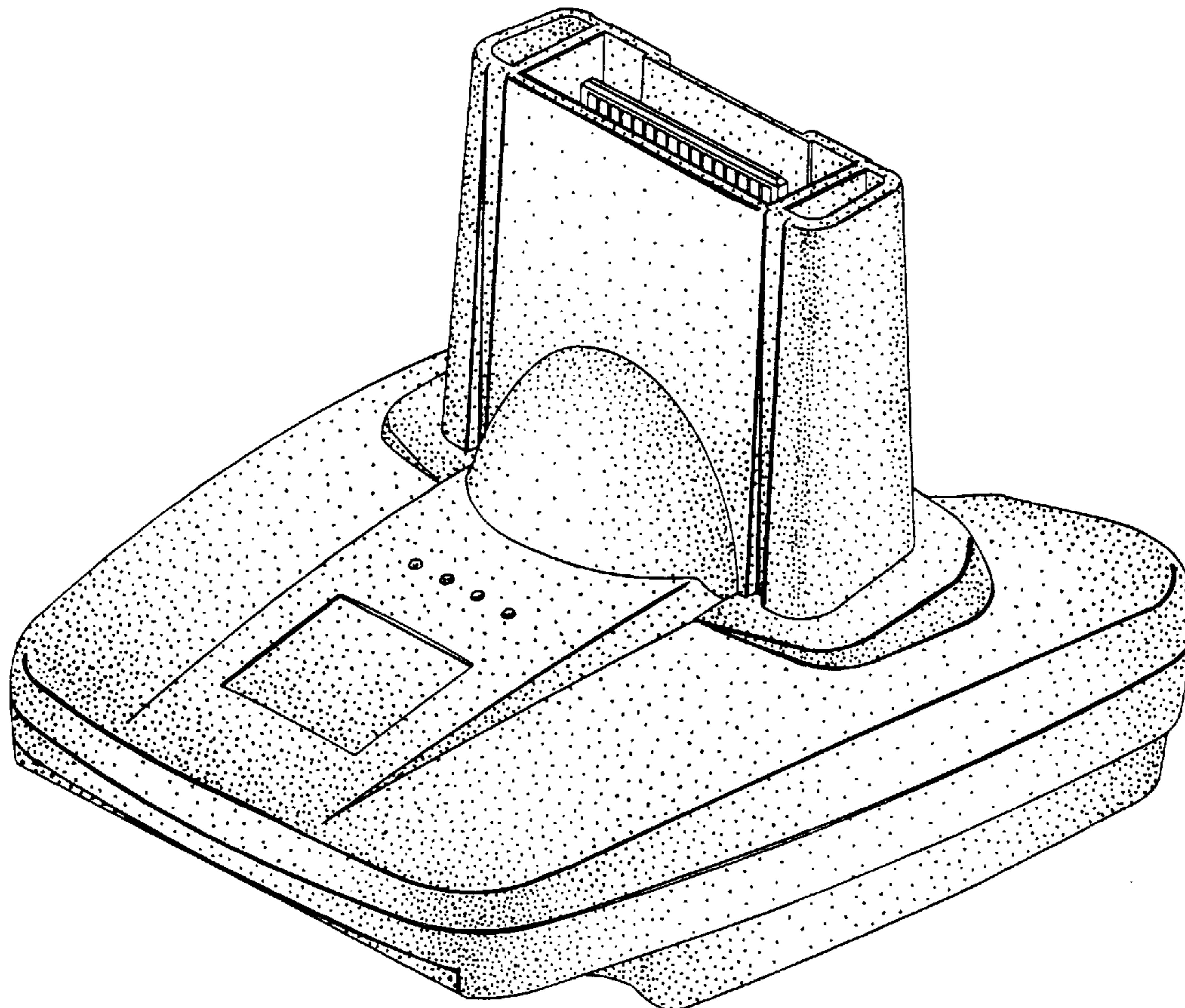
### [57] CLAIM

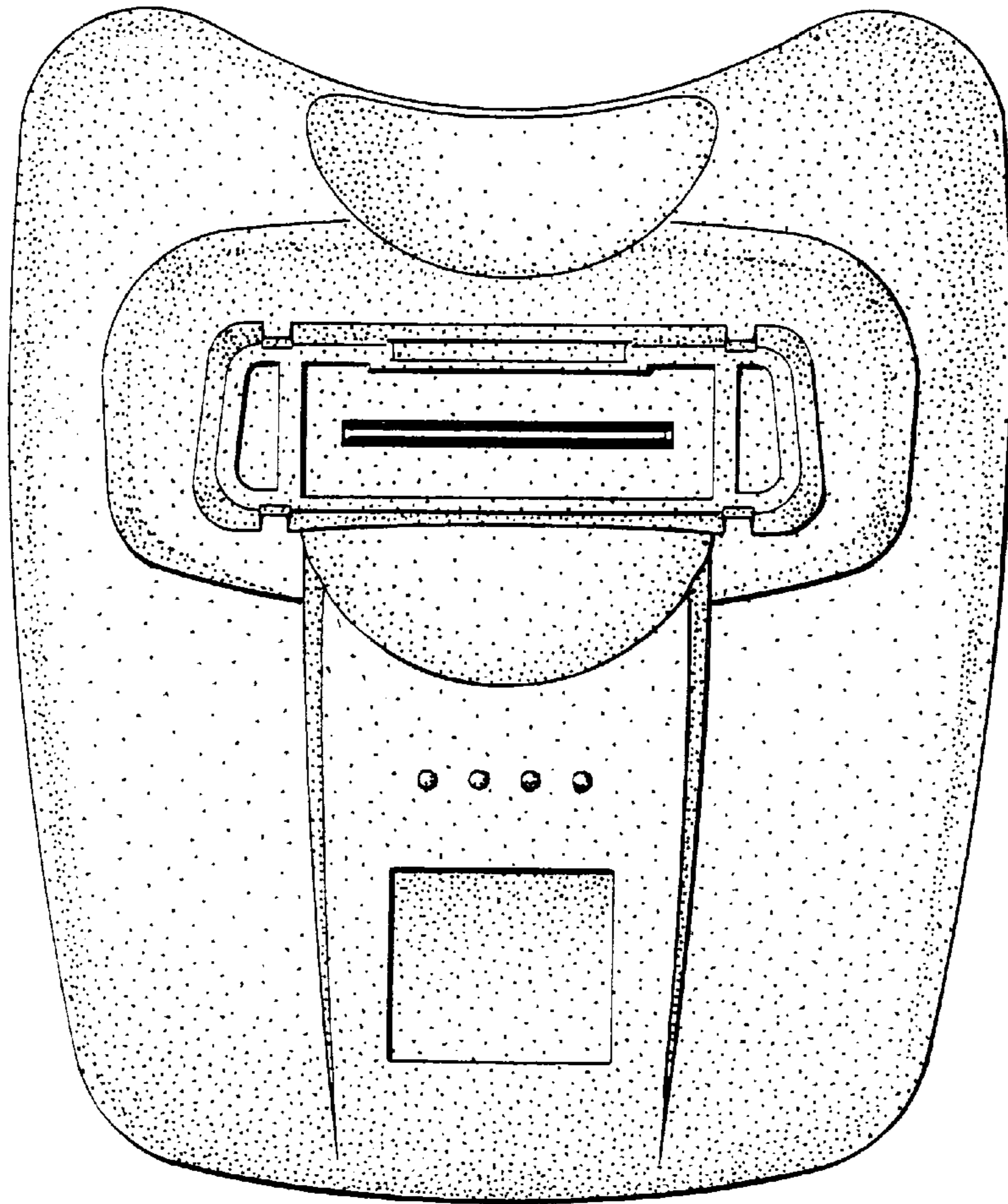
The ornamental design for a “adapter for game machine,” as shown and described.

### DESCRIPTION

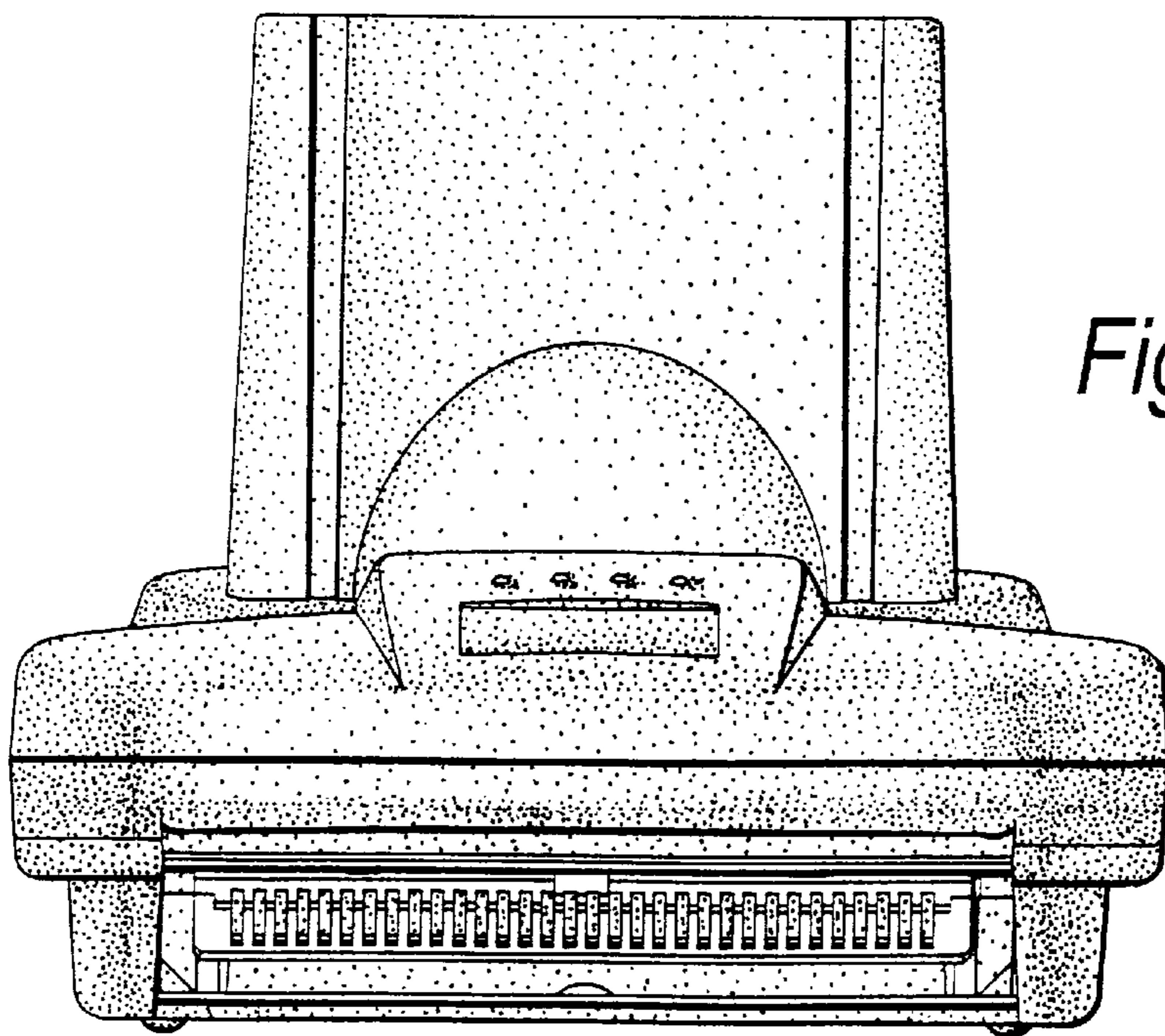
FIG. 1 is a top plan view of an adapter in accordance with my new design;  
 FIG. 2 is a front elevation view thereof;  
 FIG. 3 is a right side elevation view thereof, the left side view being identical thereto;  
 FIG. 4 is a rear elevation view thereof;  
 FIG. 5 is a bottom plan view thereof;  
 FIG. 6 is a top right front perspective view thereof;  
 FIG. 7 is a bottom left rear perspective view thereof;  
 FIG. 8 top plan view of an adapter in accordance with another embodiment of my new design;  
 FIG. 9 is a front elevation view thereof;  
 FIG. 10 is a right side elevation view thereof, the left side view being substantially identical;  
 FIG. 11 is a rear elevation view thereof;  
 FIG. 12 is a bottom plan view thereof;  
 FIG. 13 is a top right front perspective view thereof; and,  
 FIG. 14 is a bottom left rear perspective view thereof.

**1 Claim, 8 Drawing Sheets**

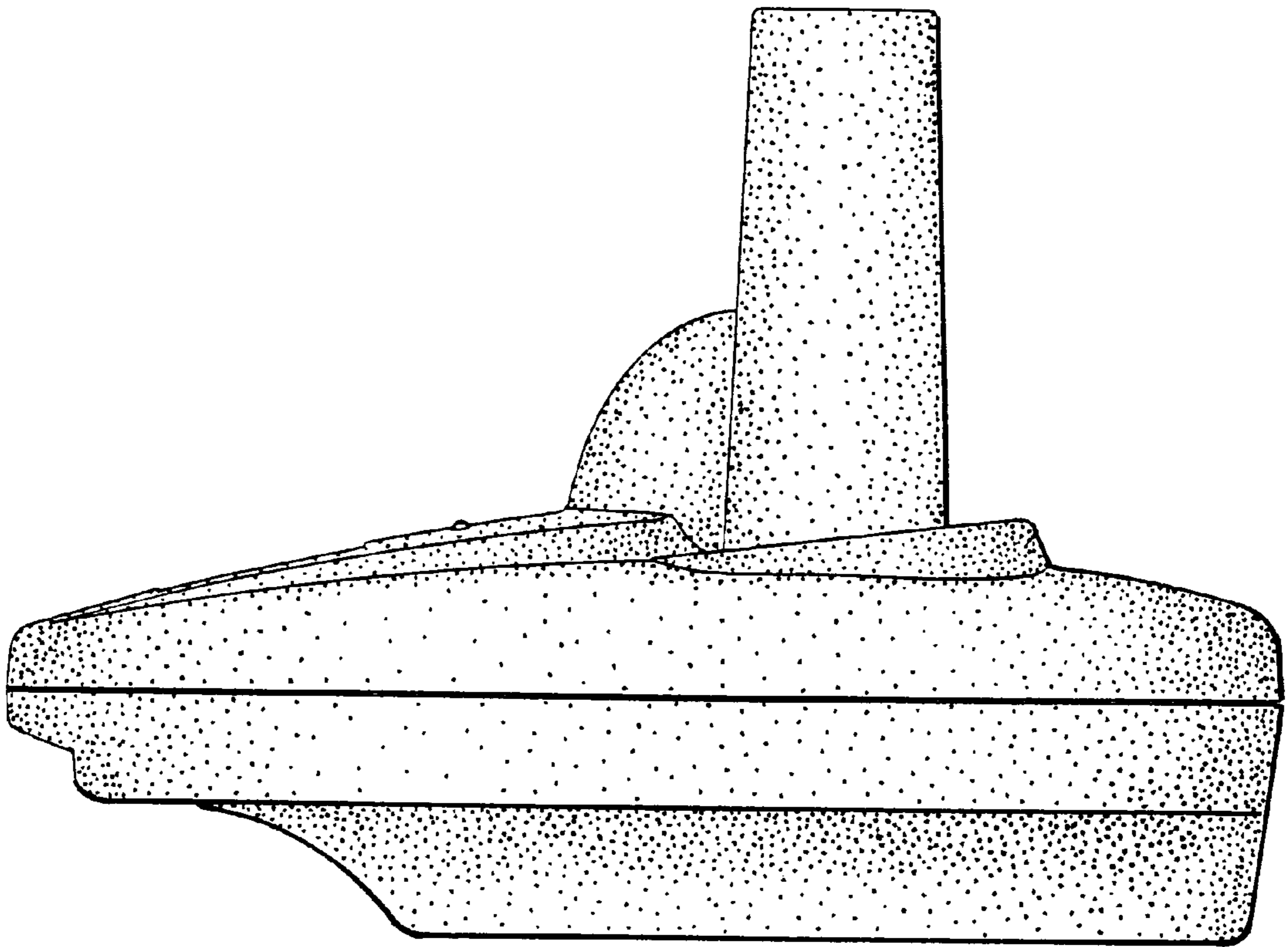




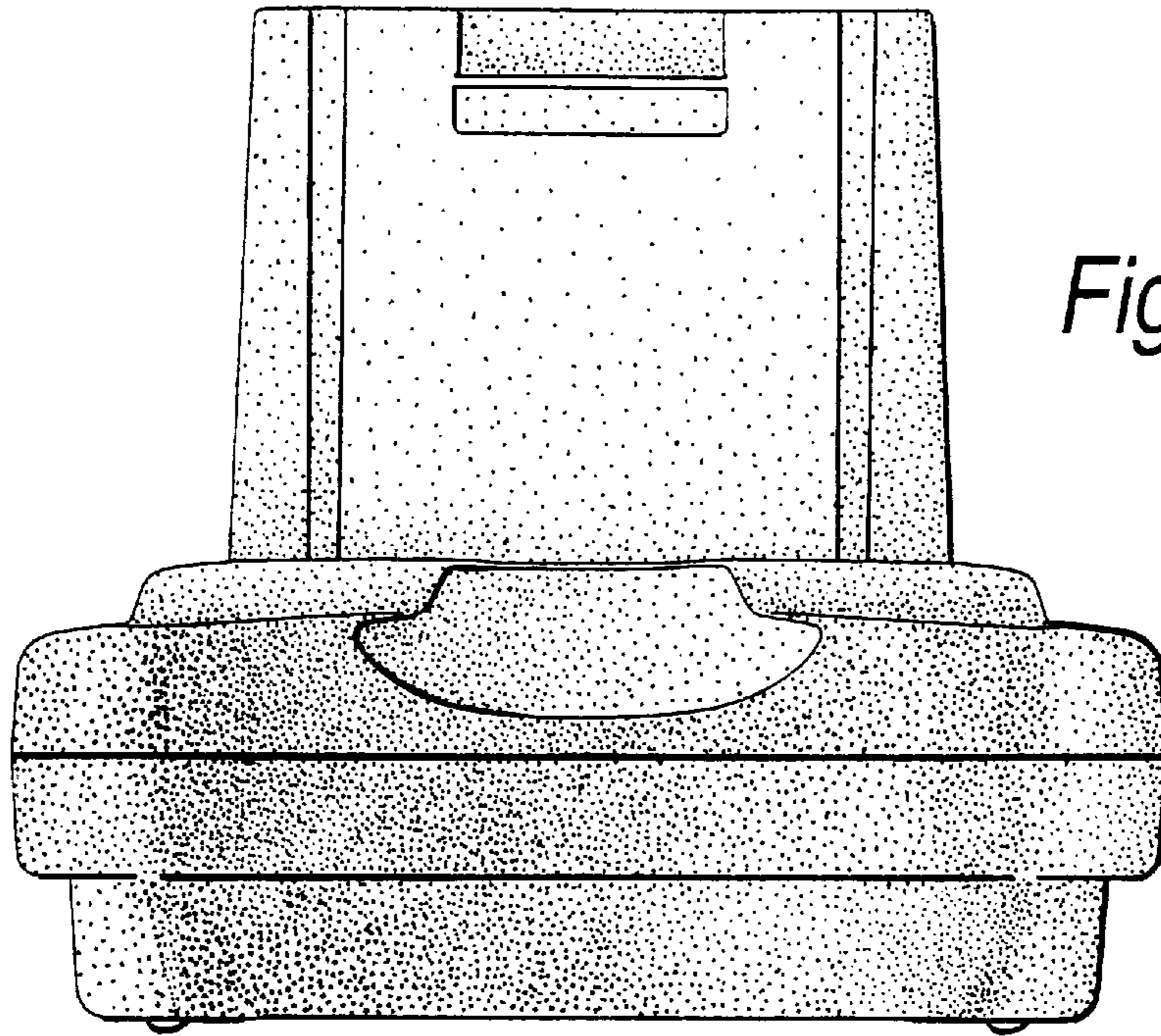
*Fig. 1*



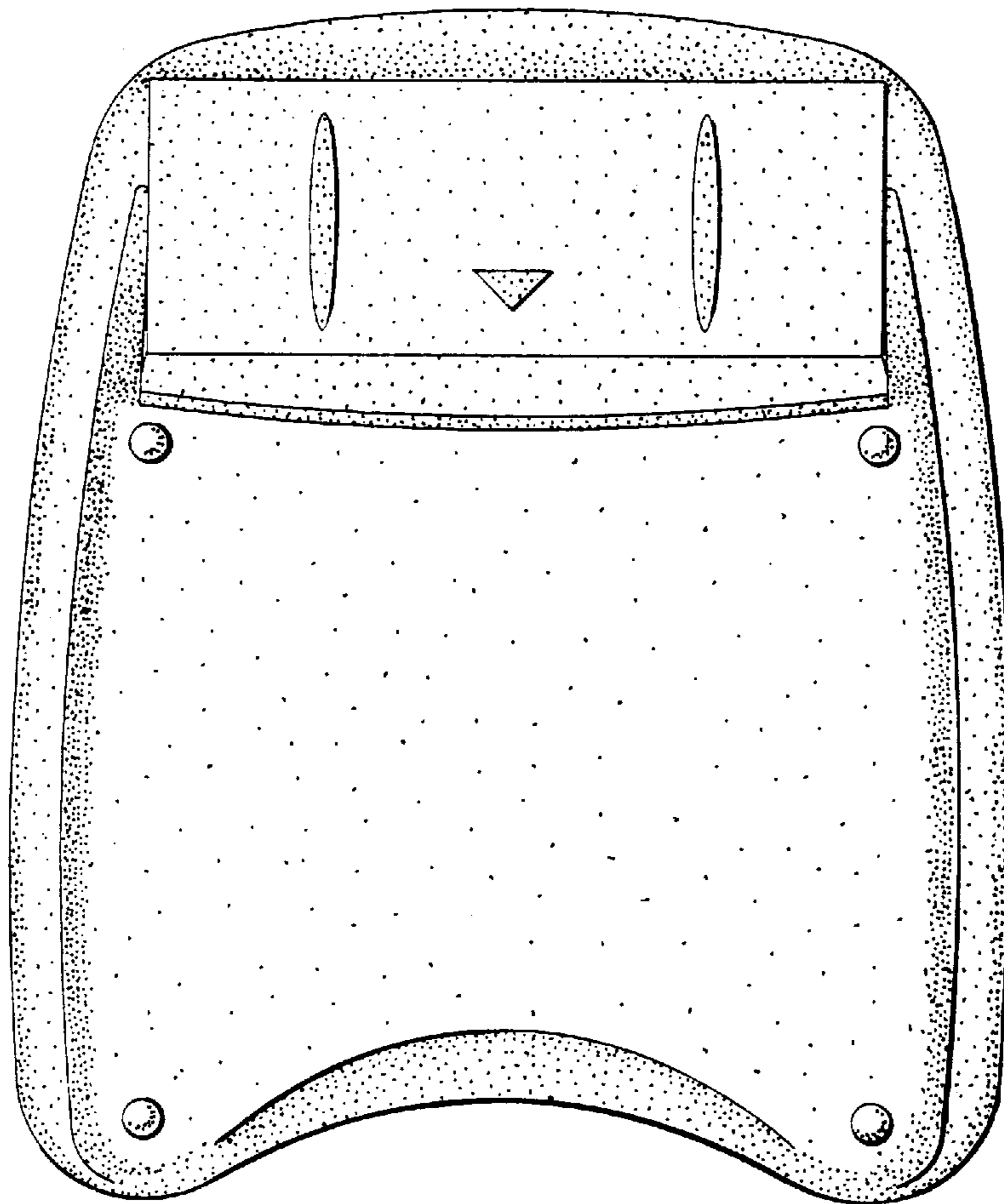
*Fig. 2*



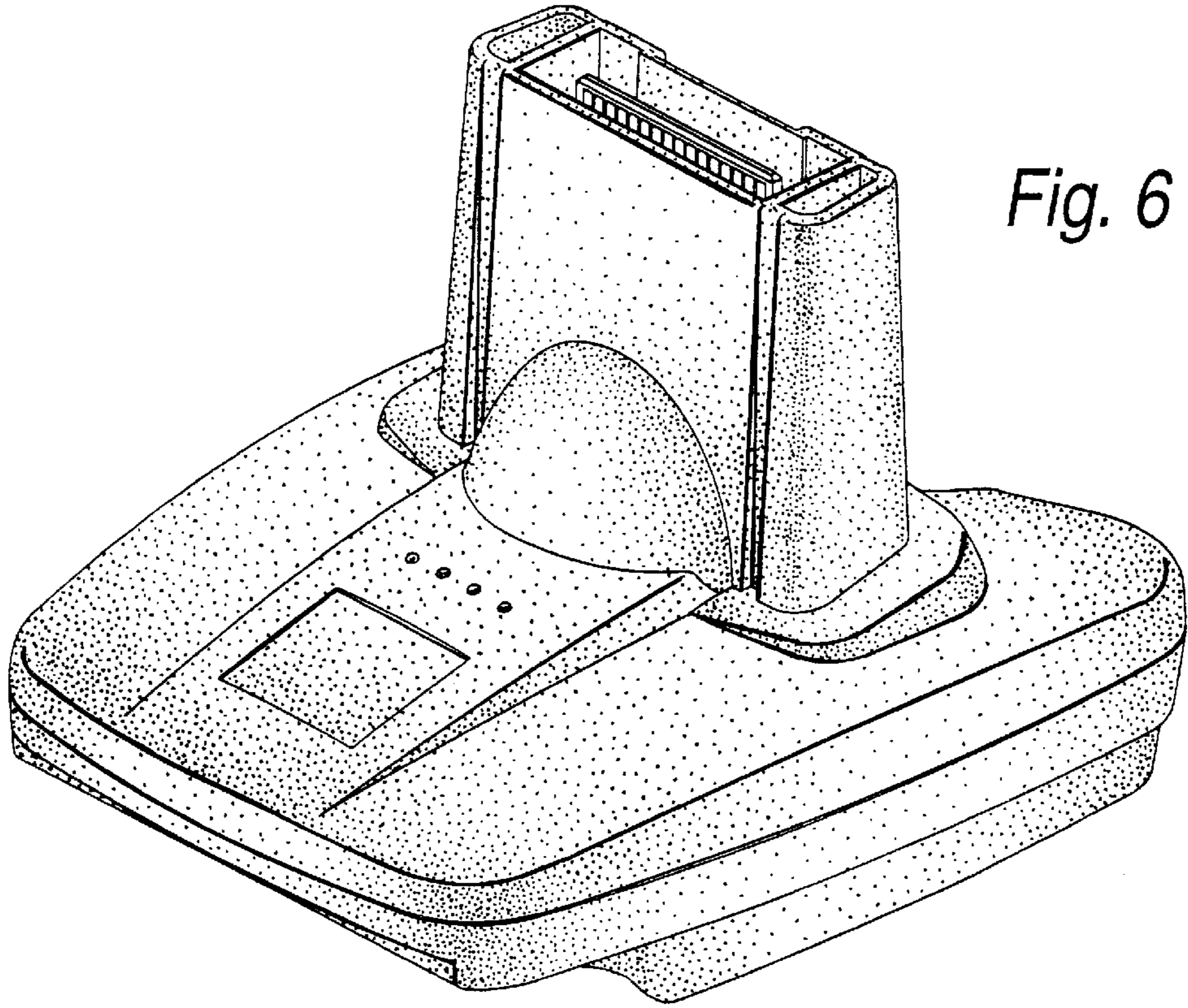
*Fig. 3*



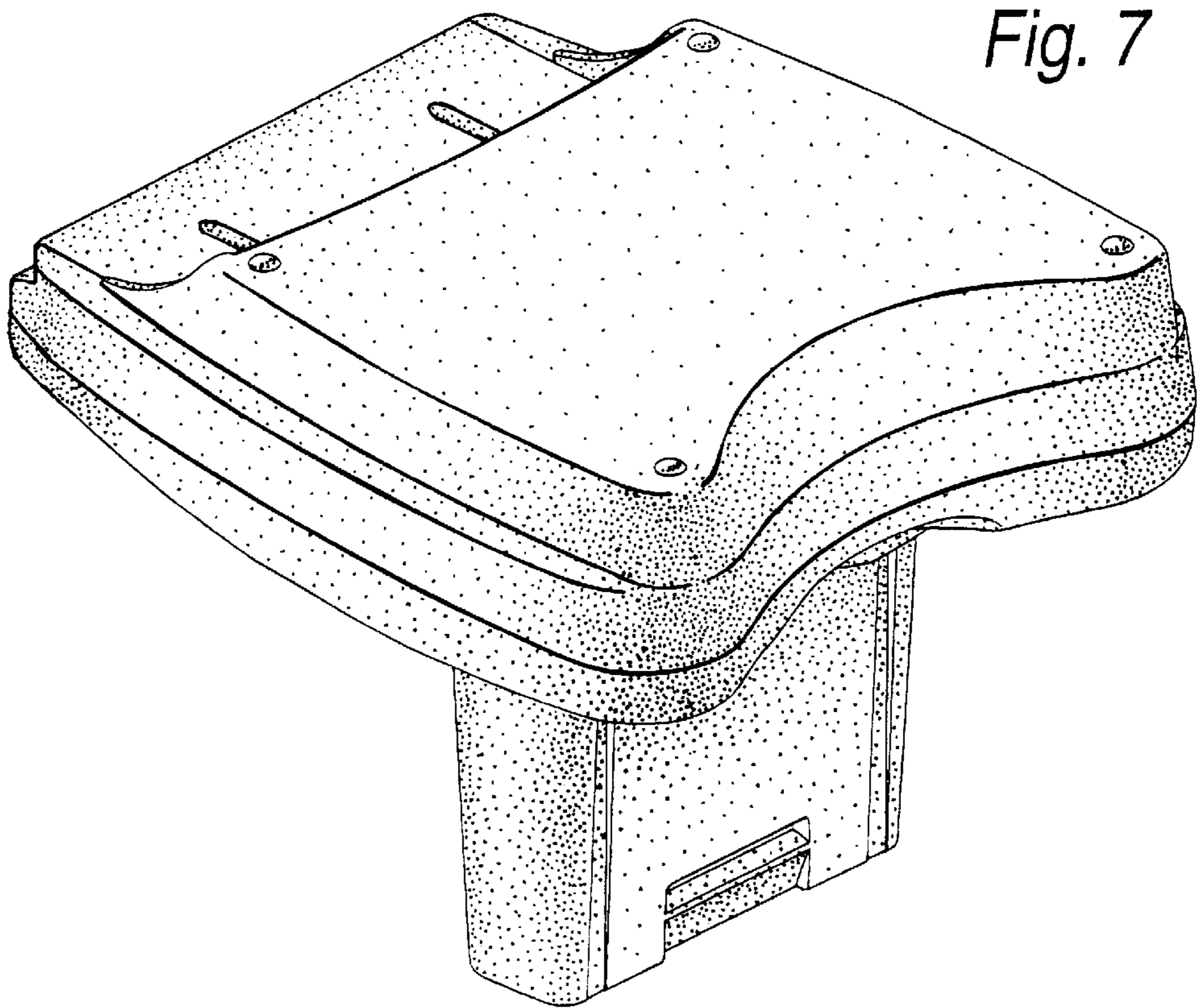
*Fig. 4*



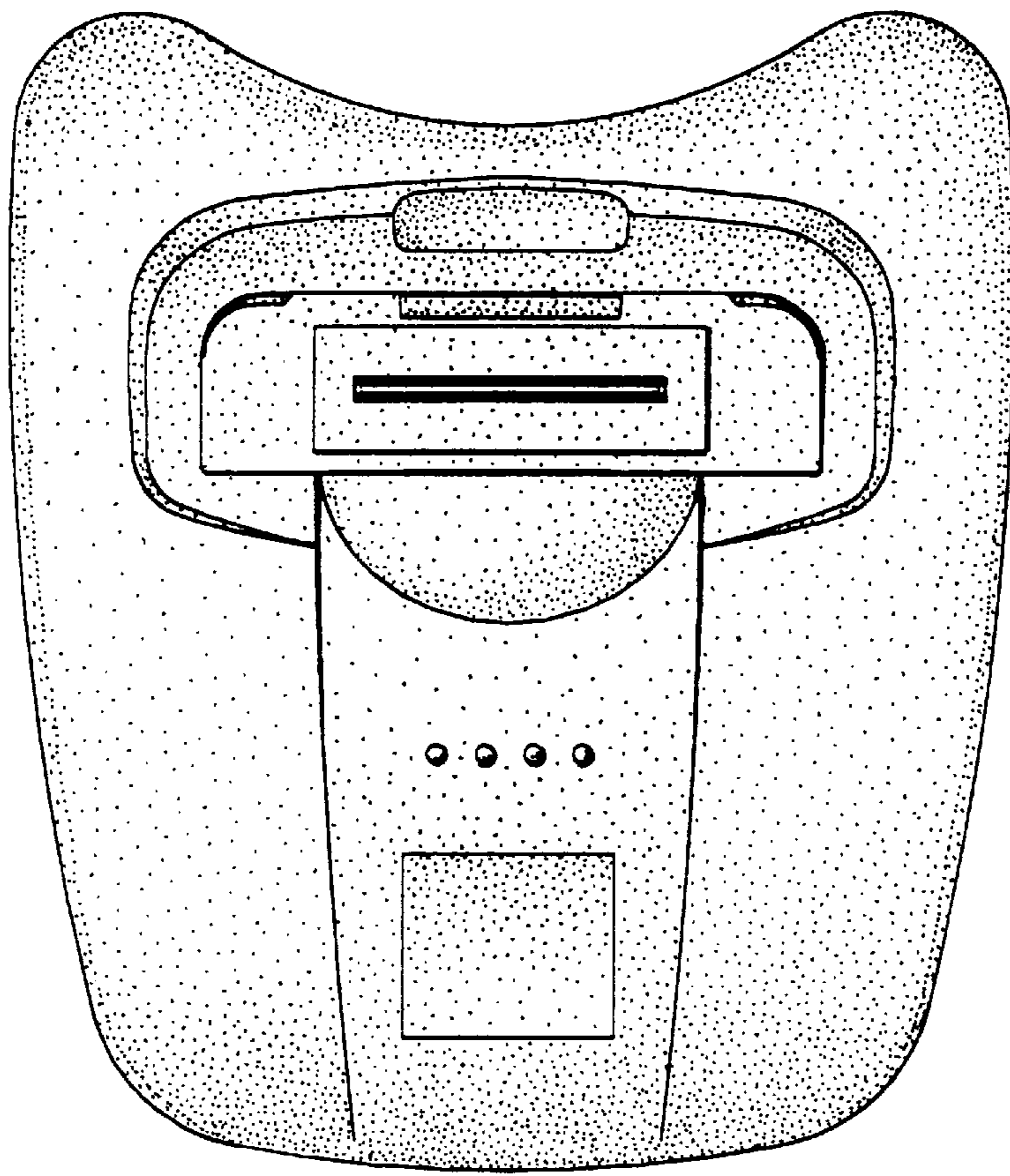
*Fig. 5*



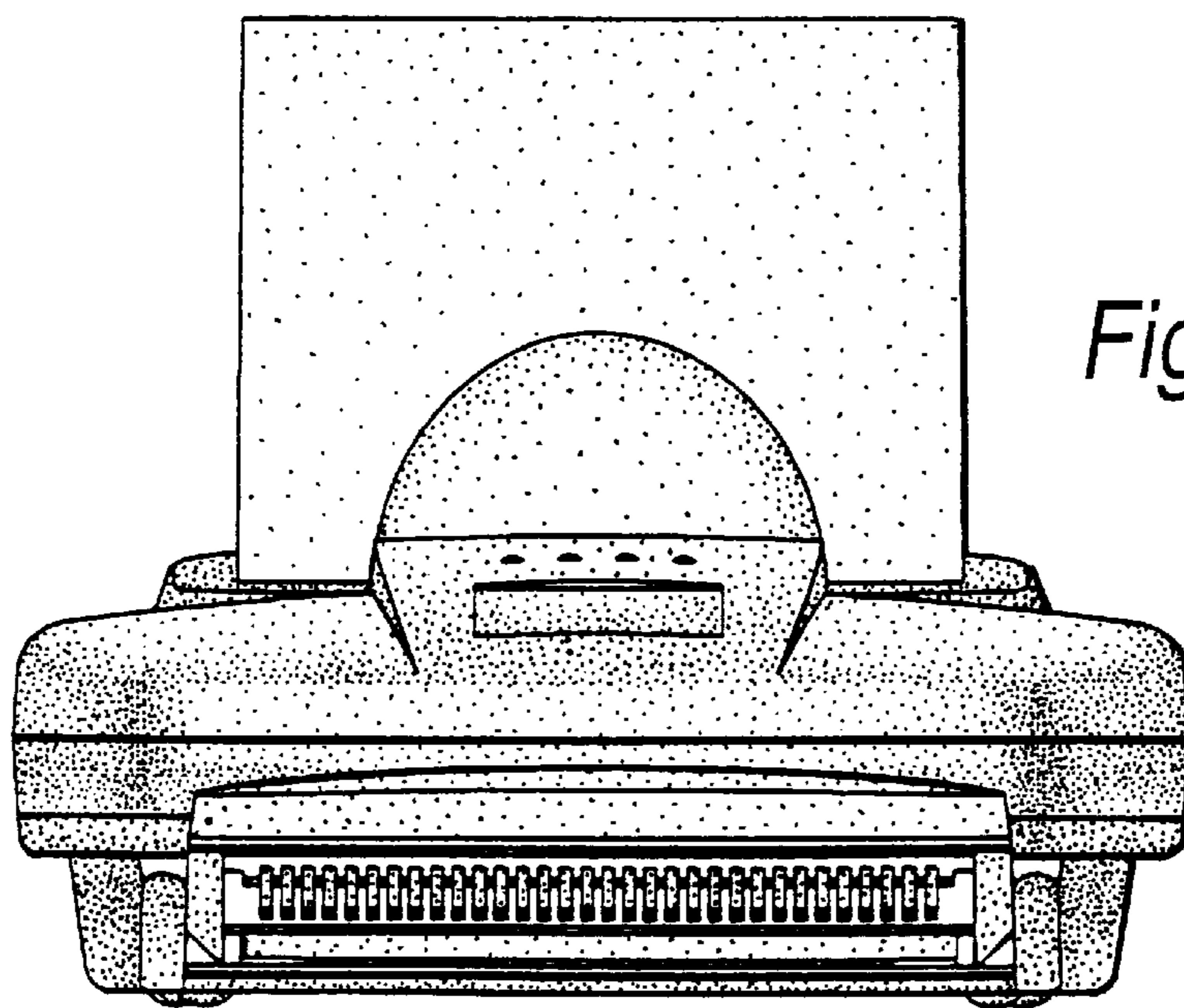
*Fig. 6*



*Fig. 7*

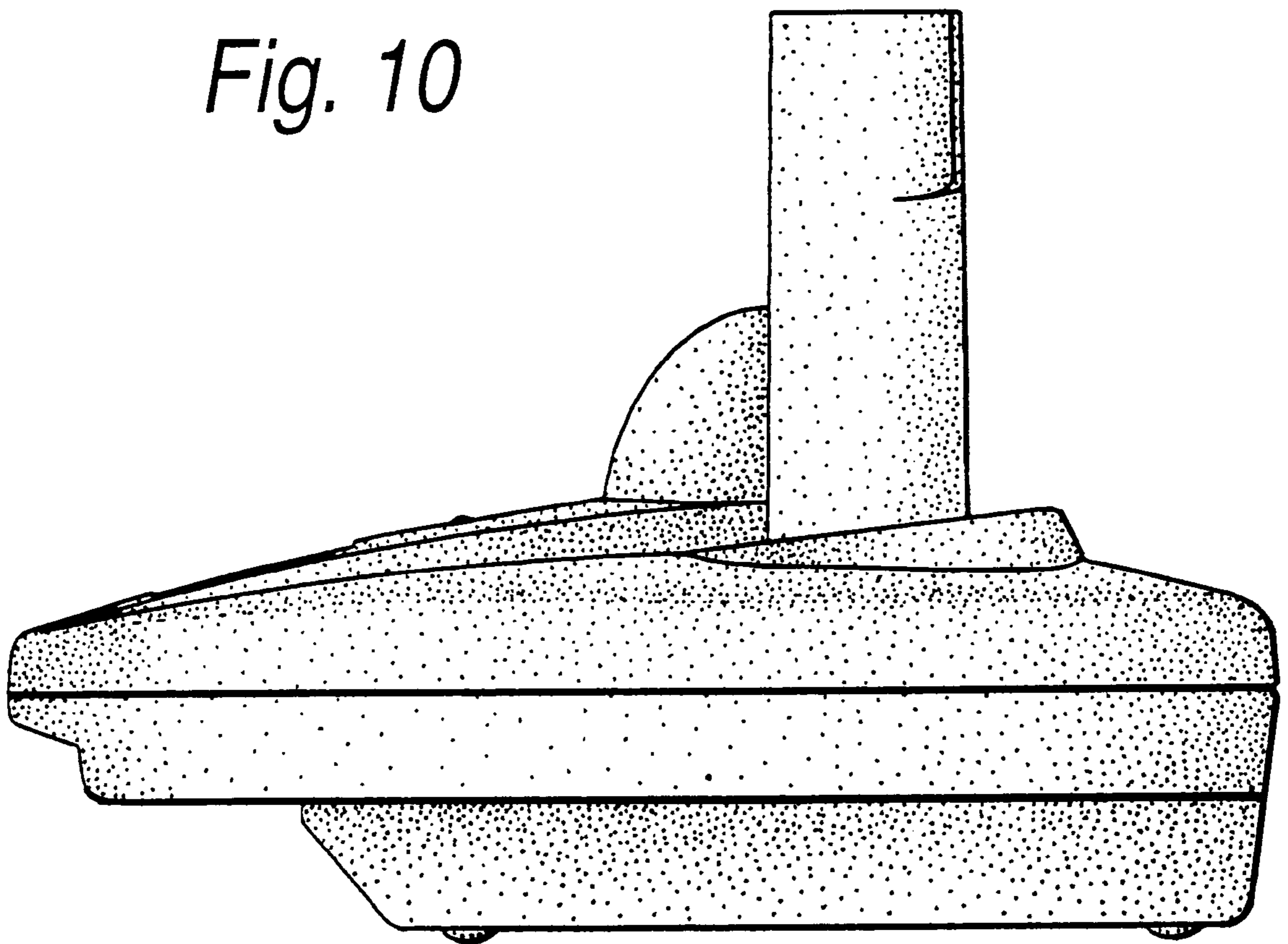


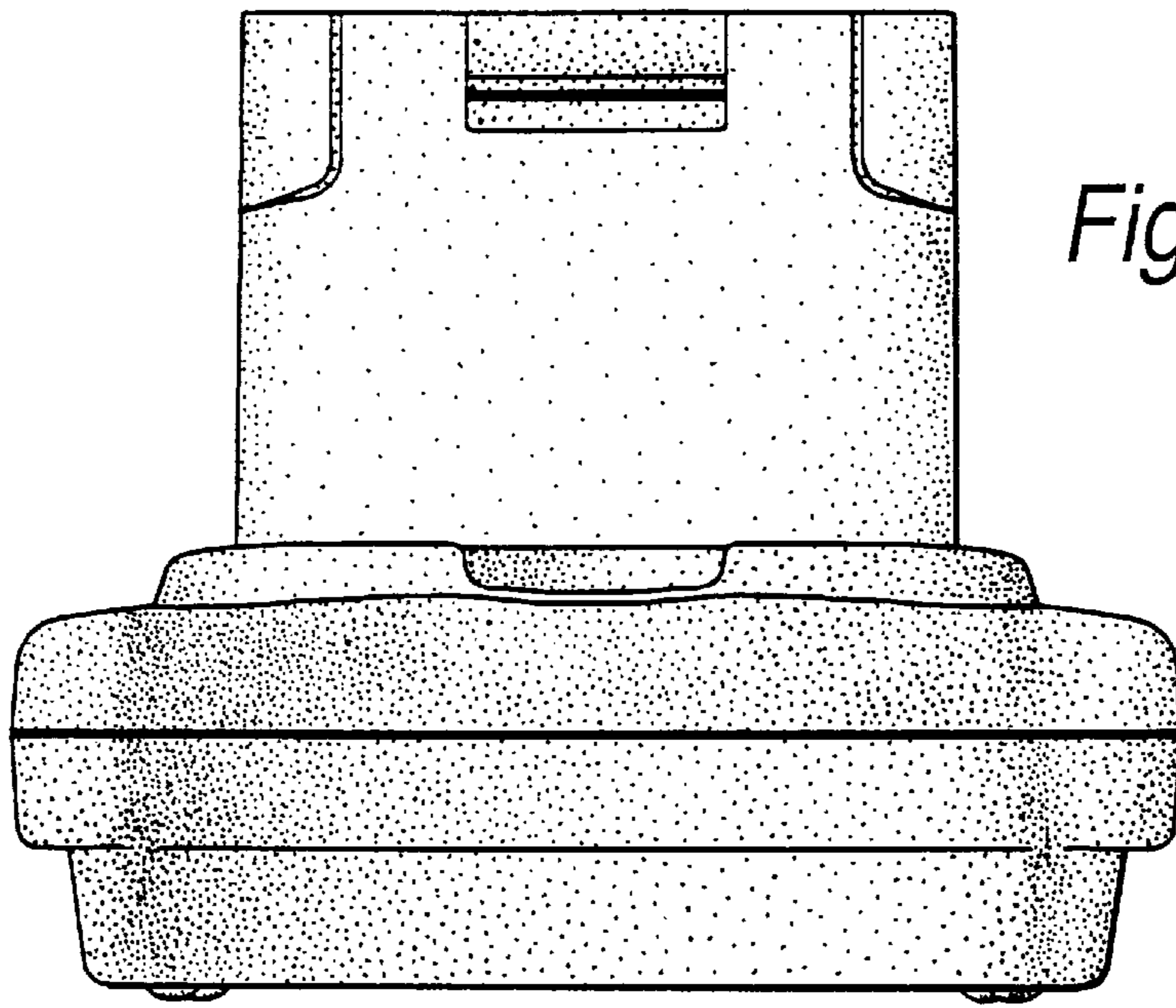
*Fig. 8*



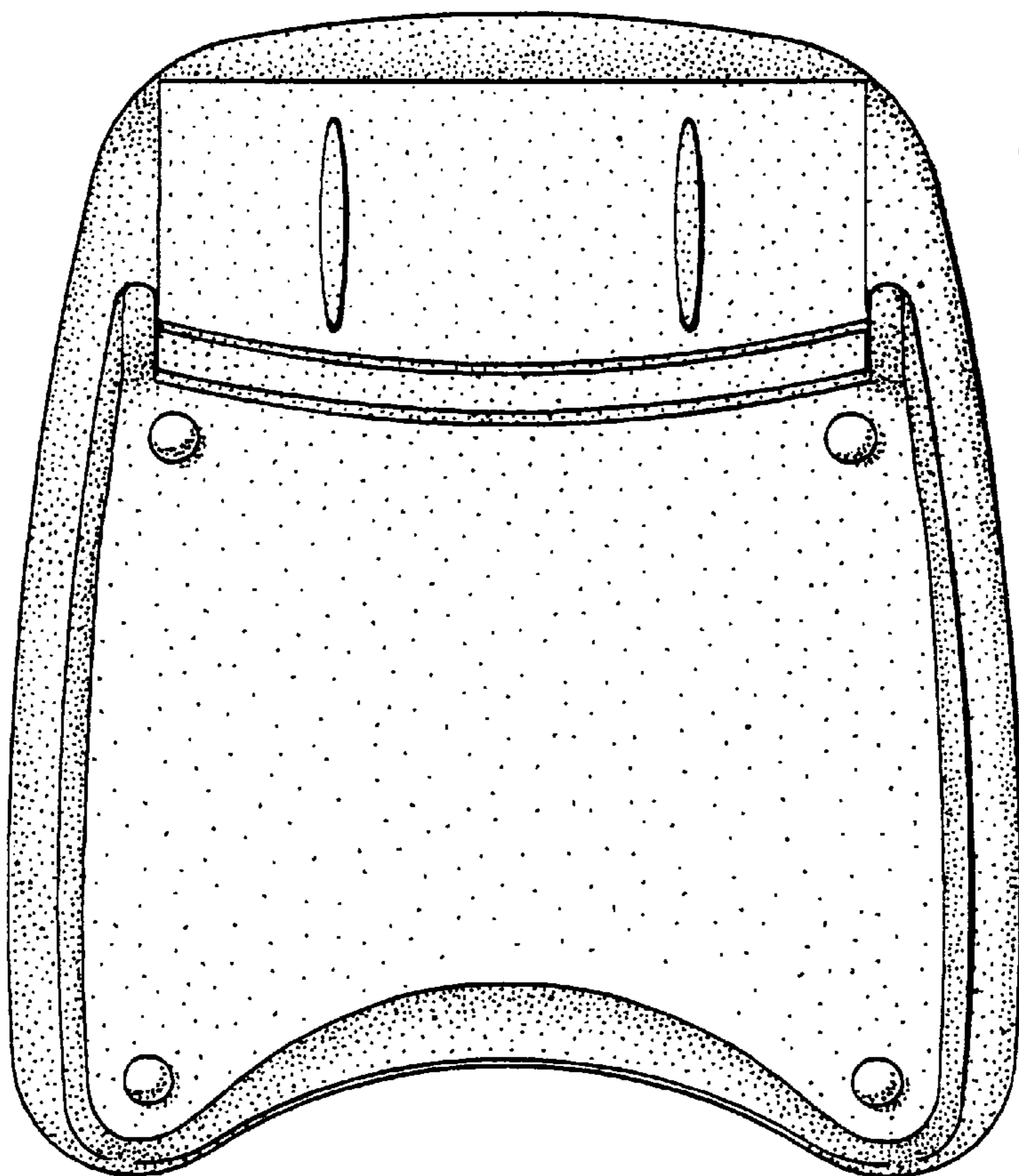
*Fig. 9*

*Fig. 10*



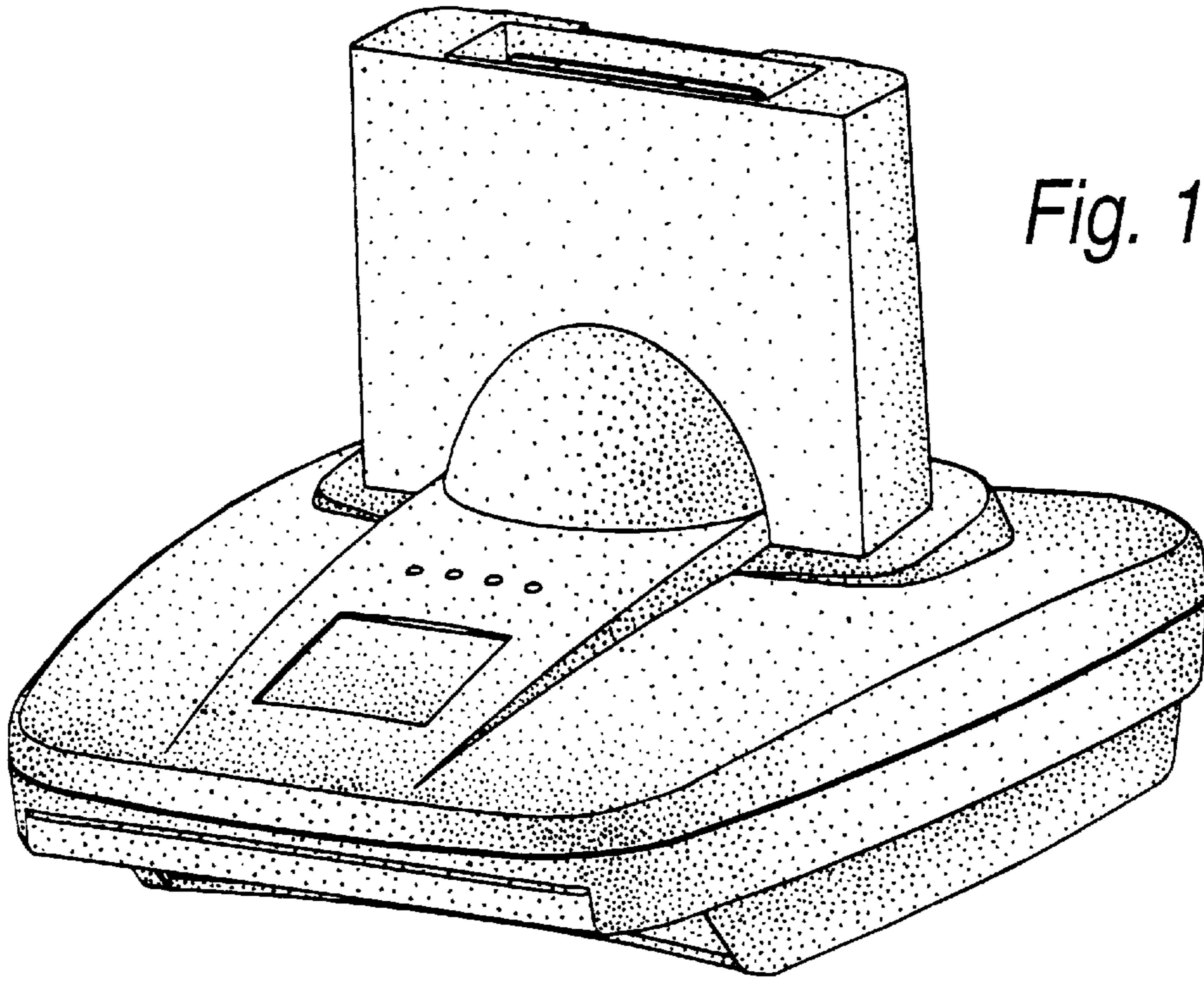


*Fig. 11*

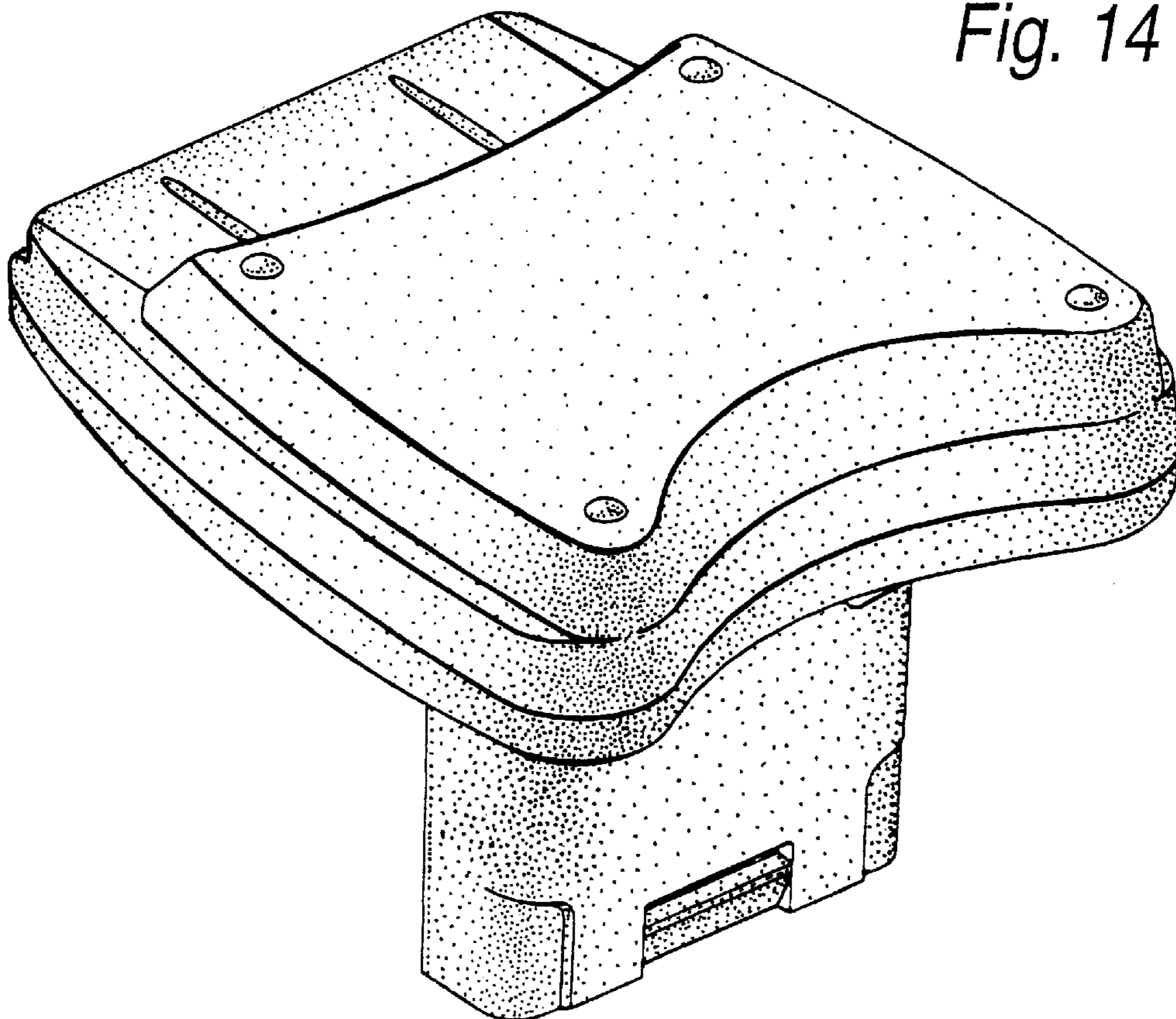


*Fig. 12*





*Fig. 13*



*Fig. 14*