



US00D415528S

United States Patent [19] Mandar

[11] **Patent Number: Des. 415,528**

[45] **Date of Patent: ** Oct. 19, 1999**

[54] **DISPENSER FOR ADHESIVE TAPE ROLL**

2,463,445 3/1949 Van Cleef 225/21
4,651,910 3/1987 DeGroot 225/25 X
4,817,798 4/1989 Huang 206/411

[76] Inventor: **Martine Mandar**, 54, rue Moxouris,
78150 Le Chesnais, France

[**] Term: **14 Years**

Primary Examiner—Martie K. Holtje
Attorney, Agent, or Firm—Staas & Halsey

[21] Appl. No.: **29/066,079**

[57] **CLAIM**

[22] Filed: **Feb. 4, 1997**

The ornamental design for a dispenser for adhesive tape roll,
as shown and described.

[30] **Foreign Application Priority Data**

DESCRIPTION

Aug. 5, 1996 [FR] France 96 4562

[51] **LOC (6) Cl.** **19-02**

[52] **U.S. Cl.** **D19/69; D19/67**

[58] **Field of Search** D19/65, 67, 68,
D19/69, 75, 95, 99, 100; 225/6, 7, 19, 21,
24, 25, 34, 35, 45, 56, 65, 66, 77, 89; 156/510,
527, 523, 577, 327; 242/570, 588, 588.6

FIG. 1 is a perspective view of a dispenser for adhesive tape roll showing my new design;
FIG. 2 is a top plan view thereof;
FIG. 3 is a front elevational view thereof;
FIG. 4 is a left side elevational view thereof;
FIG. 5 is a right elevational view thereof;
FIG. 6 is a bottom plan view thereof;
FIG. 7 is a rear elevational view thereof; and,
FIG. 8 is a perspective view of the front face thereof, shown separately for convenience of illustration.

[56] **References Cited**

U.S. PATENT DOCUMENTS

D. 175,066 7/1955 Emmert D19/69
D. 197,496 2/1964 Kusek D19/69
D. 300,750 4/1989 Mead D19/67
2,414,333 1/1947 Schieman 225/66

The tape depicted by means of broken lines in FIGS. 2 and 3 has been shown for illustrative purposes only and forms no part of the claimed design.

1 Claim, 4 Drawing Sheets

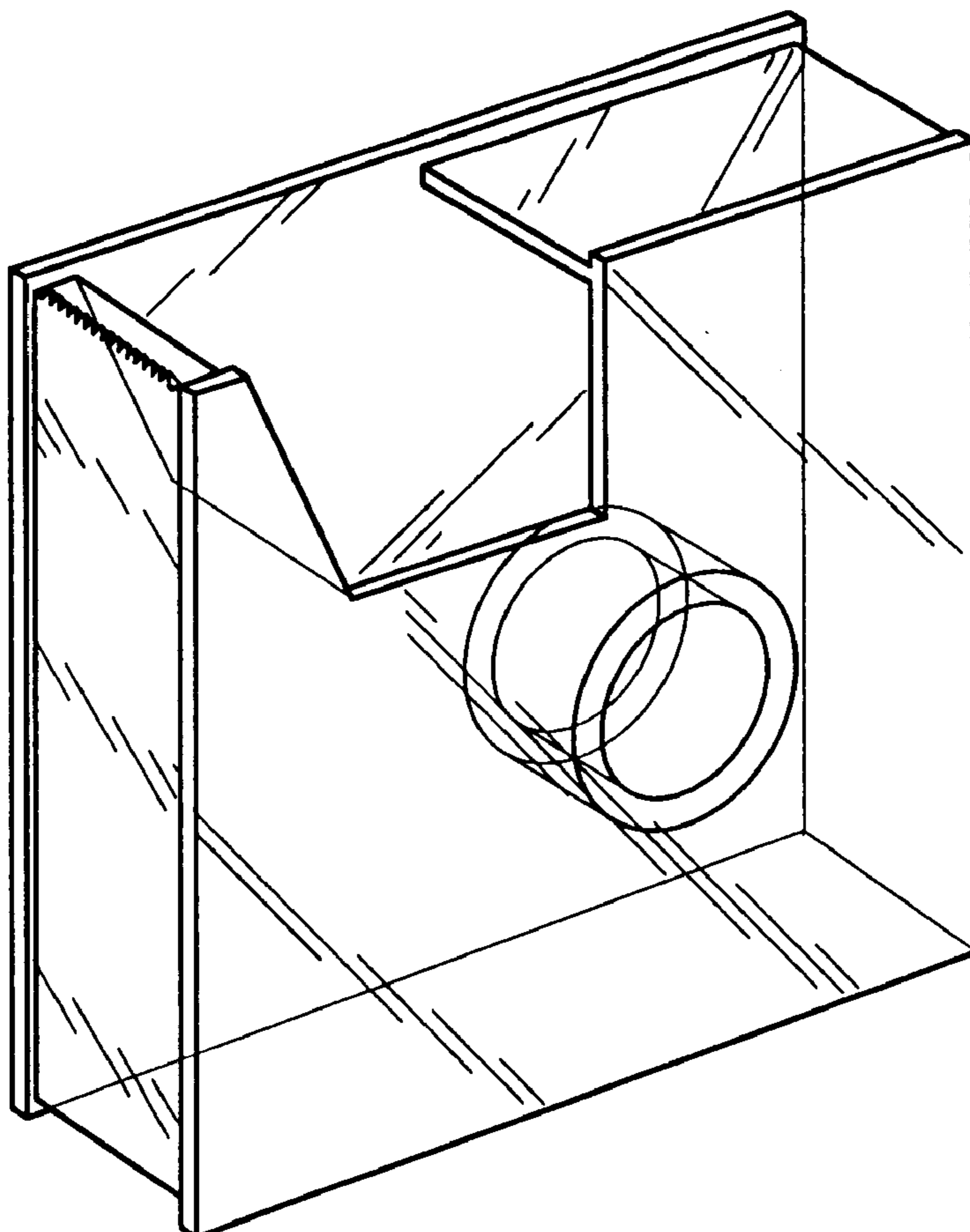


FIG. 1

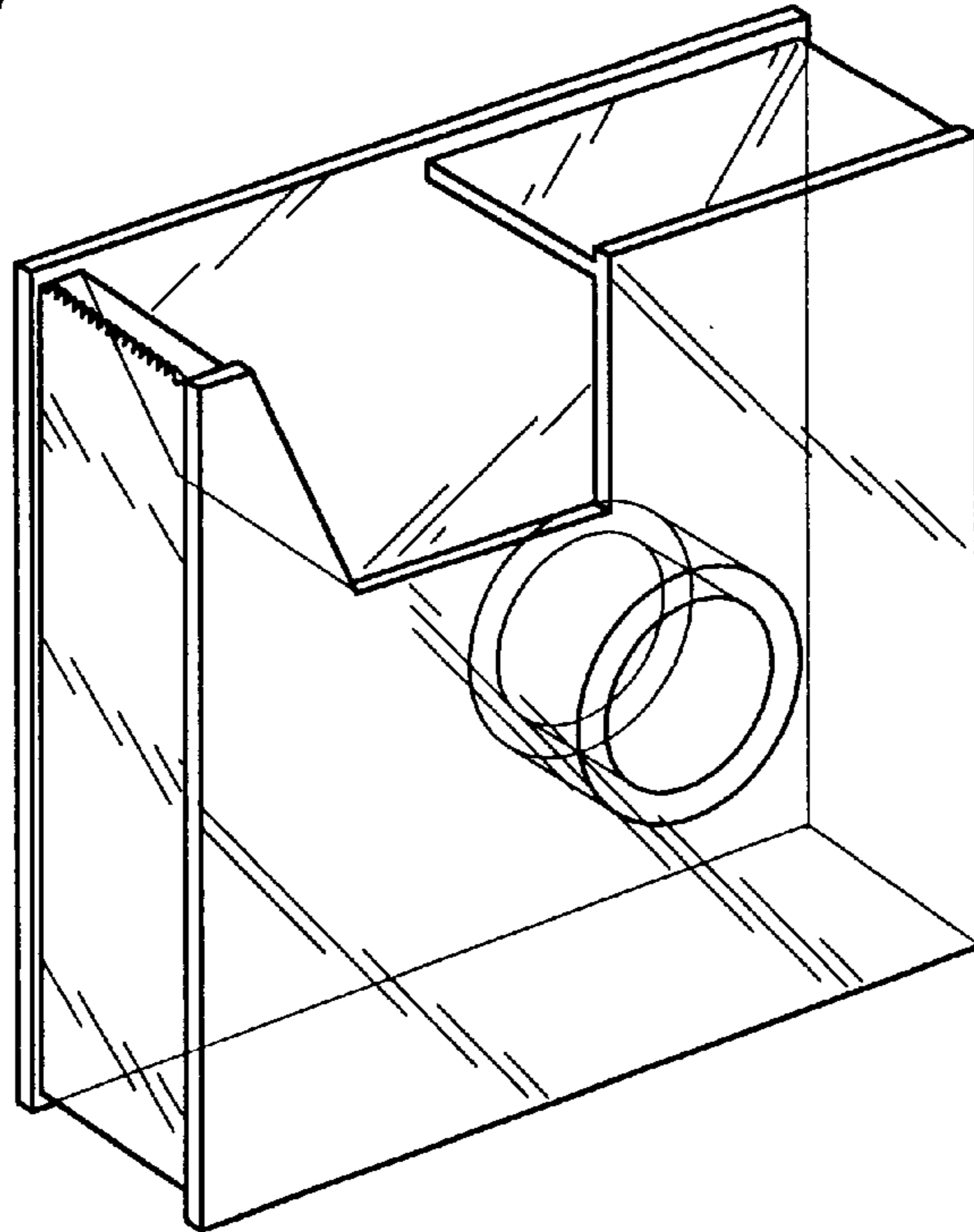


FIG. 8

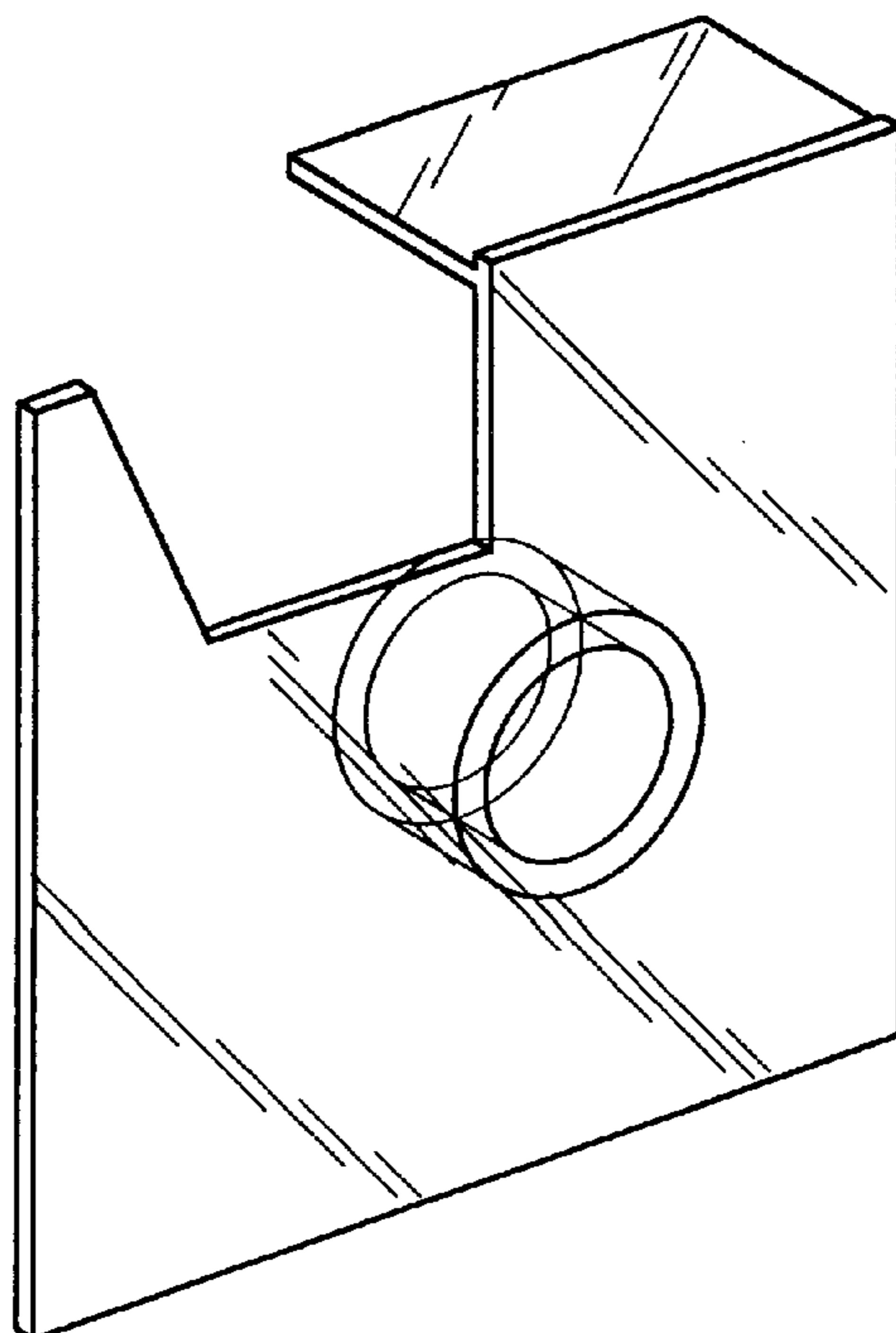


FIG. 2

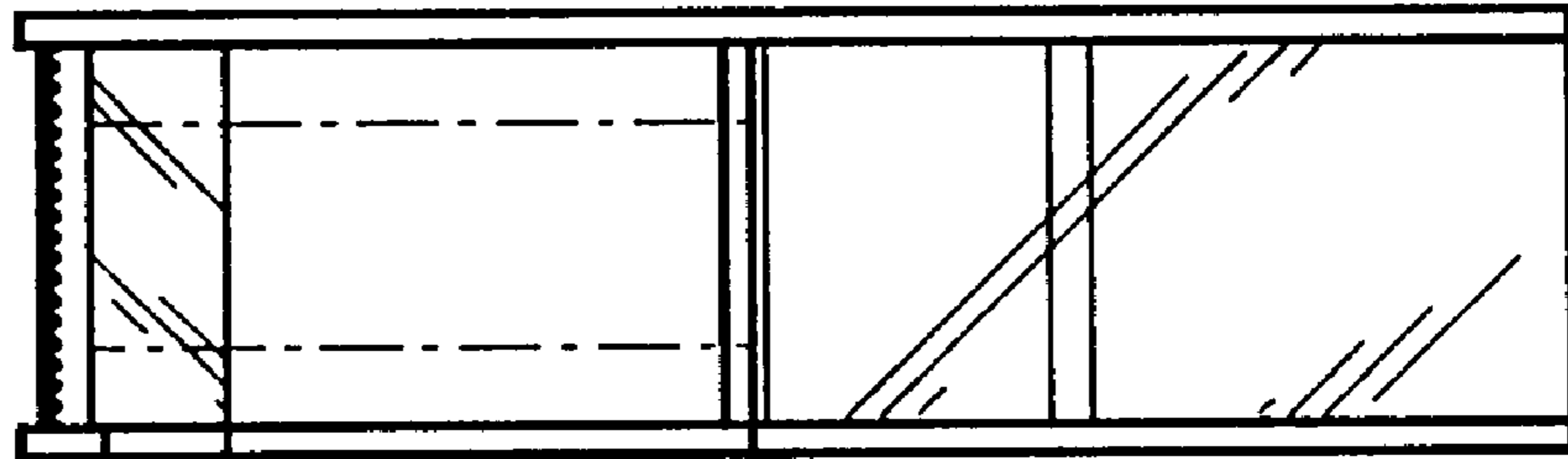


FIG. 6

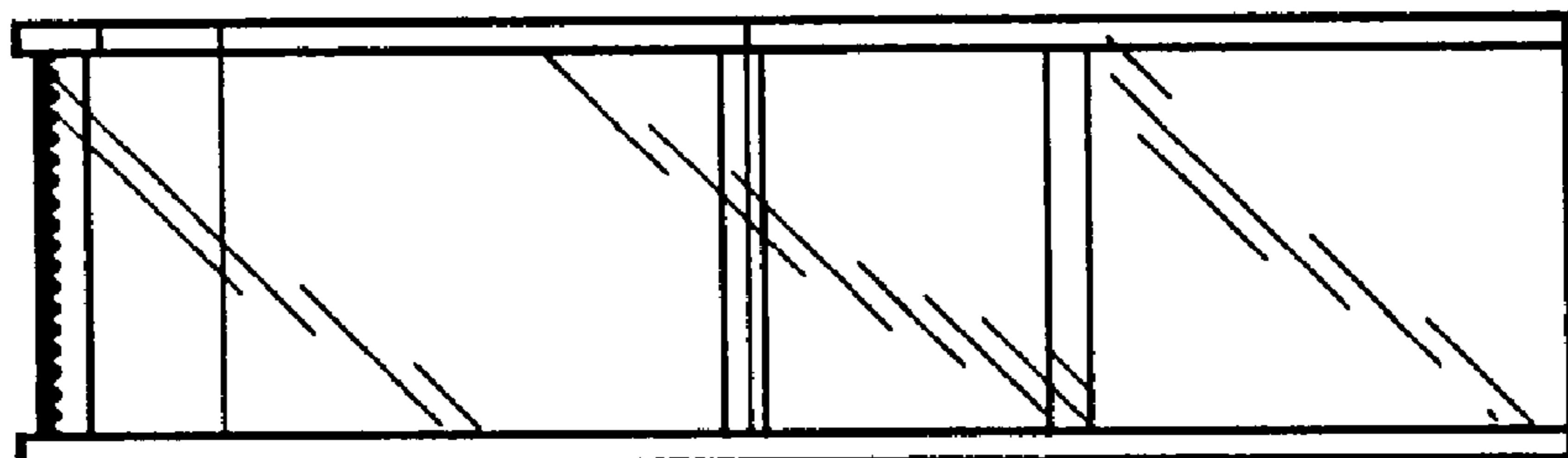


FIG. 3

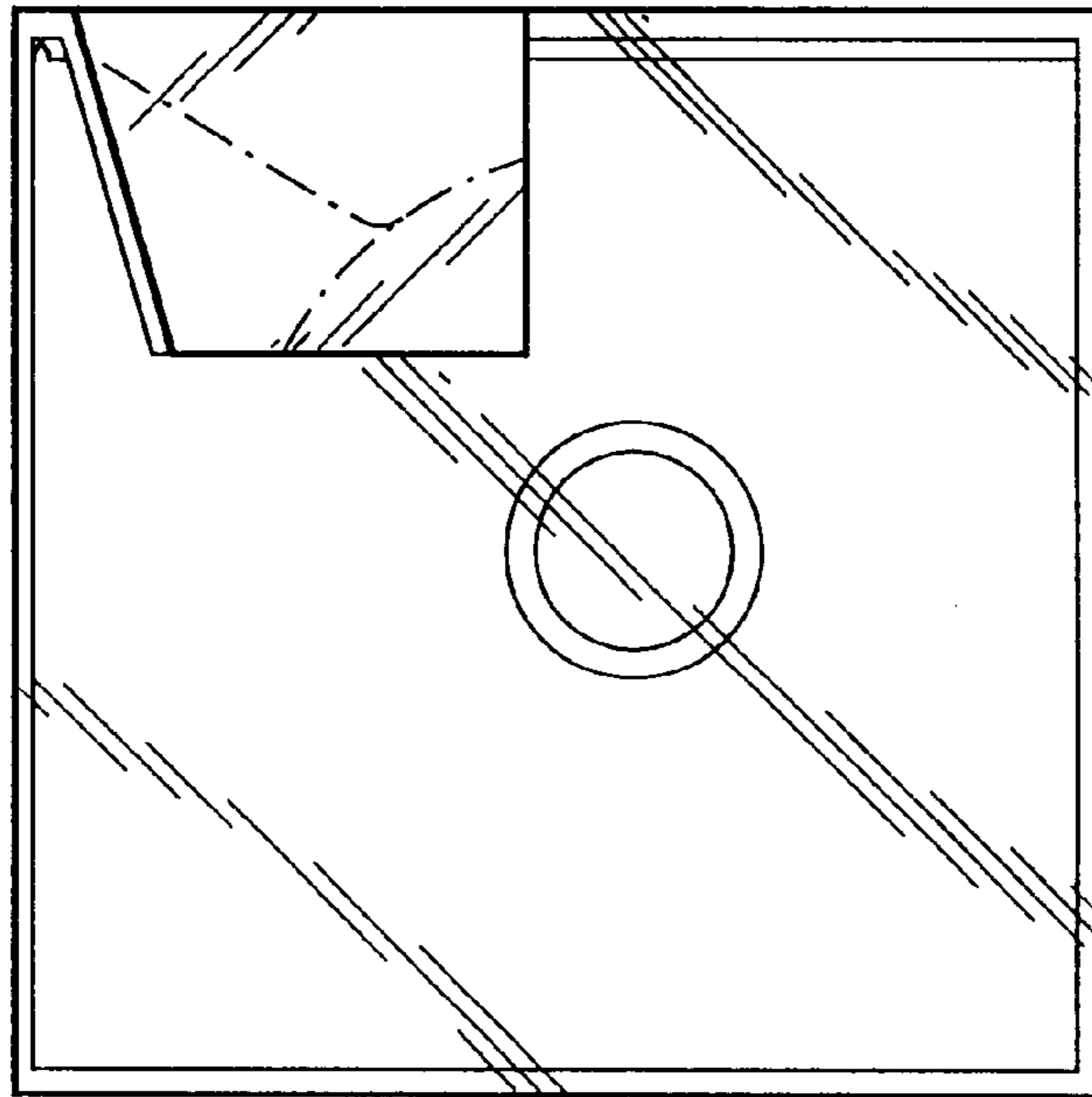


FIG. 7

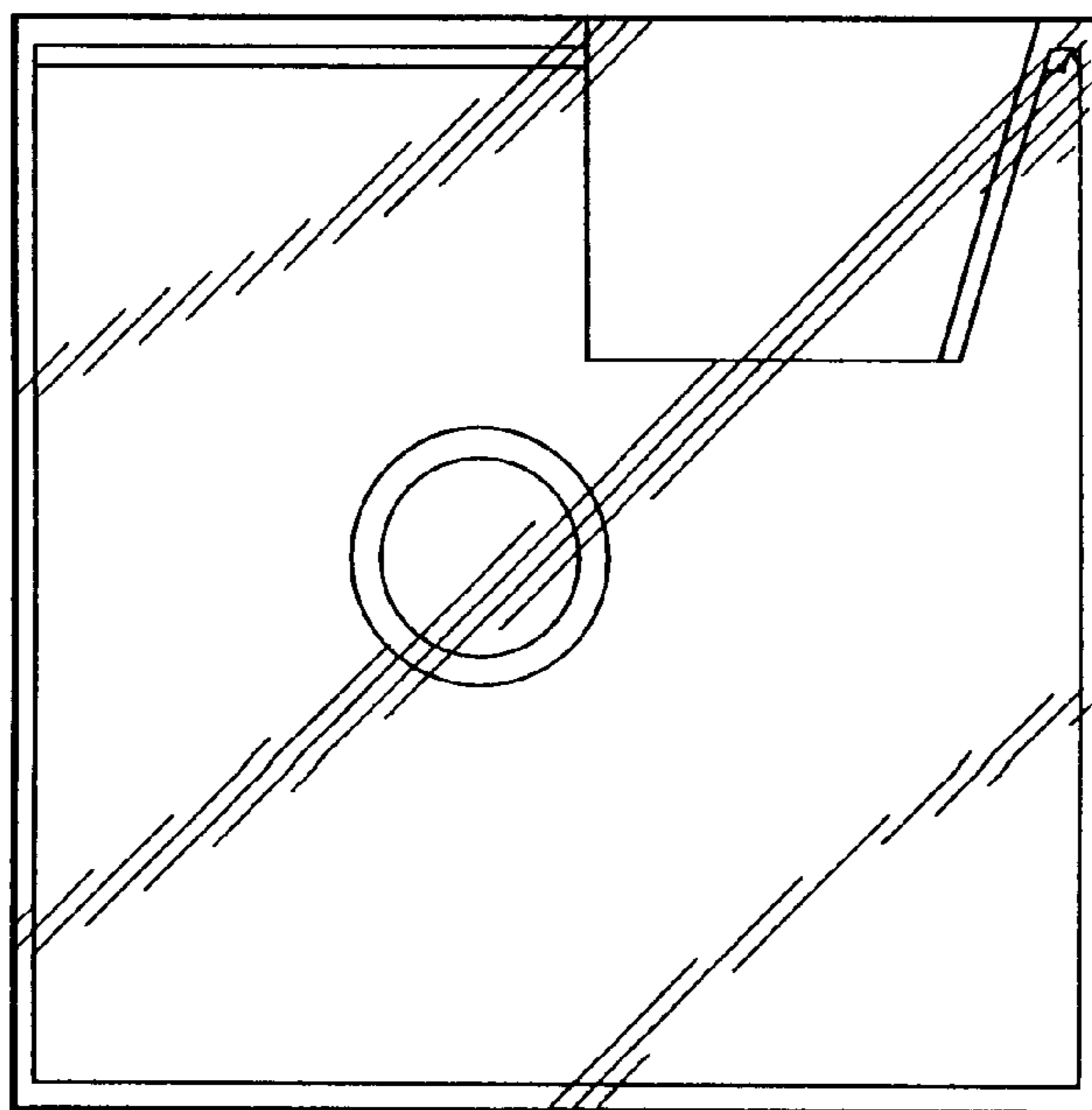


FIG. 4

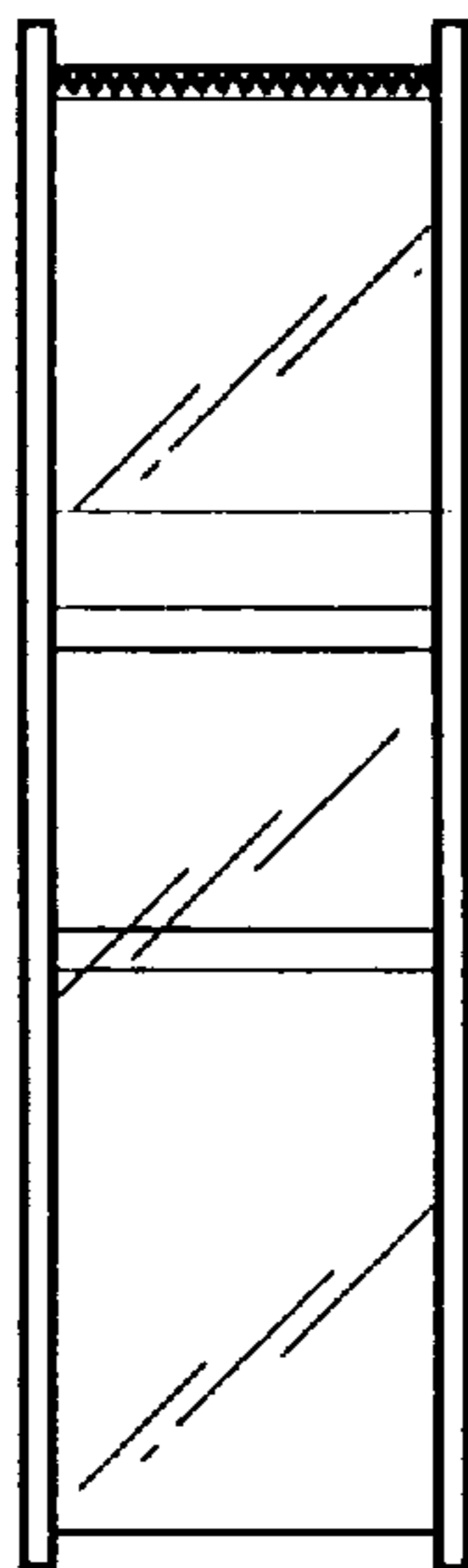


FIG. 5

