



US00D415520S

# United States Patent [19]

Suzuki et al.

[11] Patent Number: **Des. 415,520**

[45] Date of Patent: **\*\* Oct. 19, 1999**

[54] **LASER PRINTER**

[75] Inventors: **Yuji Suzuki**, Yokohama; **Shigeru Horiguchi**, Kawasaki; **Yuki Nanri**, Tokyo, all of Japan

[73] Assignee: **Ricoh Company, Ltd.**, Tokyo, Japan

[\*\*] Term: **14 Years**

[21] Appl. No.: **29/091,320**

[22] Filed: **Jul. 27, 1998**

### [30] Foreign Application Priority Data

Jan. 29, 1998 [JP] Japan ..... 10-002337

[51] **LOC (6) Cl.** ..... **14-02**

[52] **U.S. Cl.** ..... **D18/55**

[58] **Field of Search** ..... D18/50, 54-55,  
D18/14, 19; 400/690.1-690.4, 691-694,  
613, 613.1-613.4

### [56] References Cited

#### U.S. PATENT DOCUMENTS

D. 321,714 11/1991 Frenkler et al. .... D18/54

D. 338,910 8/1993 Sugawara ..... D18/55  
D. 361,083 8/1995 Lee ..... D18/50  
D. 363,506 10/1995 Inukai ..... D18/55  
D. 367,882 3/1996 Parsey et al. .... D18/55  
D. 393,278 4/1998 Lee ..... D18/50

*Primary Examiner*—Cathy Anne MacCormac  
*Attorney, Agent, or Firm*—Dickstein Shapiro, Morin & Oshinsky, LLP

### [57] CLAIM

The ornamental design for laser printer, as shown and described.

### DESCRIPTION

FIG. 1 is a front elevation of a laser printer showing our new design;  
FIG. 2 is a rear elevation thereof;  
FIG. 3 is a top plan view thereof;  
FIG. 4 is a bottom plan view thereof;  
FIG. 5 is a right side elevation thereof;  
FIG. 6 is a left side elevation thereof; and,  
FIG. 7 is a top, front, and right side perspective view thereof, with a tray in an extended state.

**1 Claim, 4 Drawing Sheets**

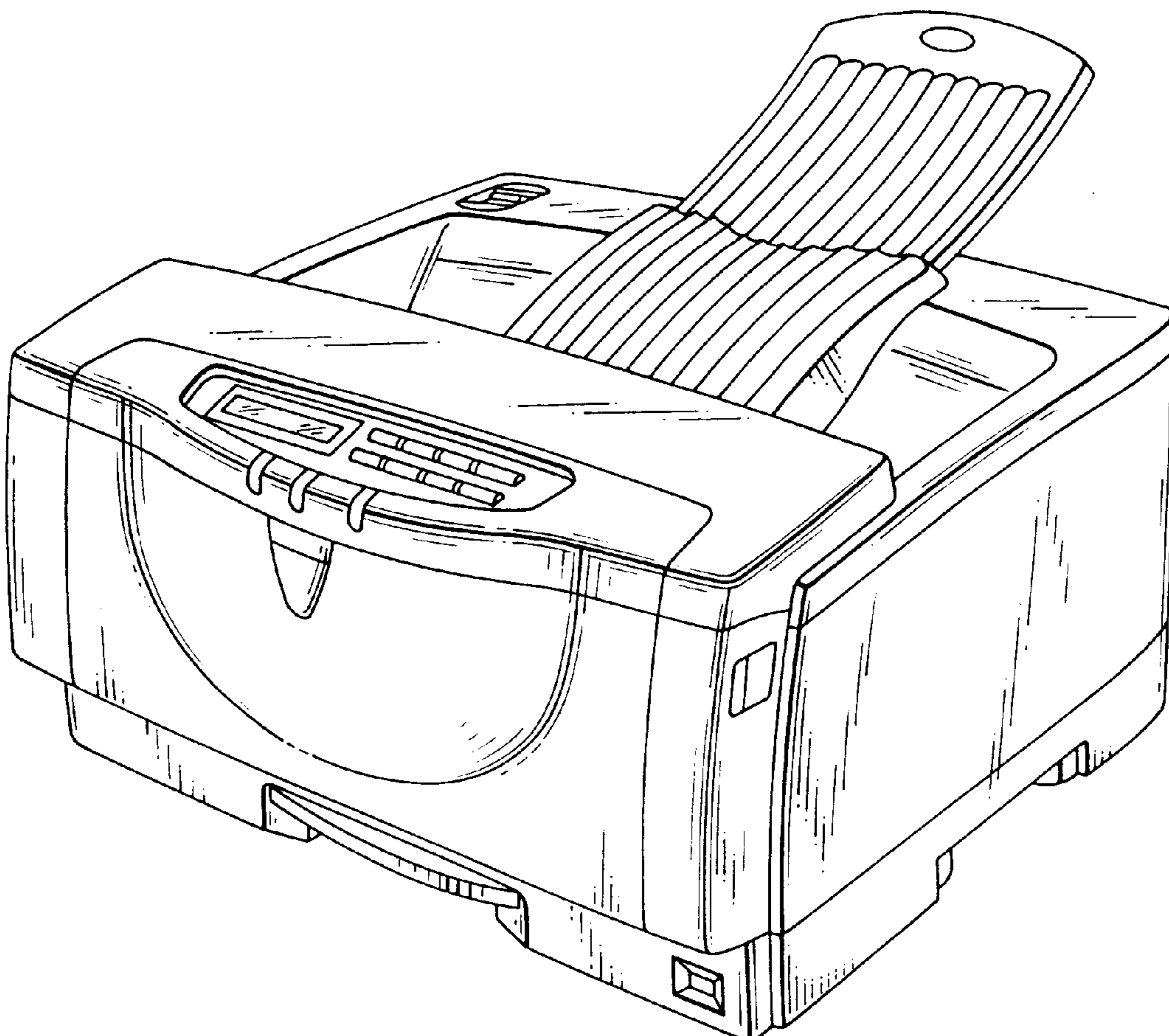


FIG. 1

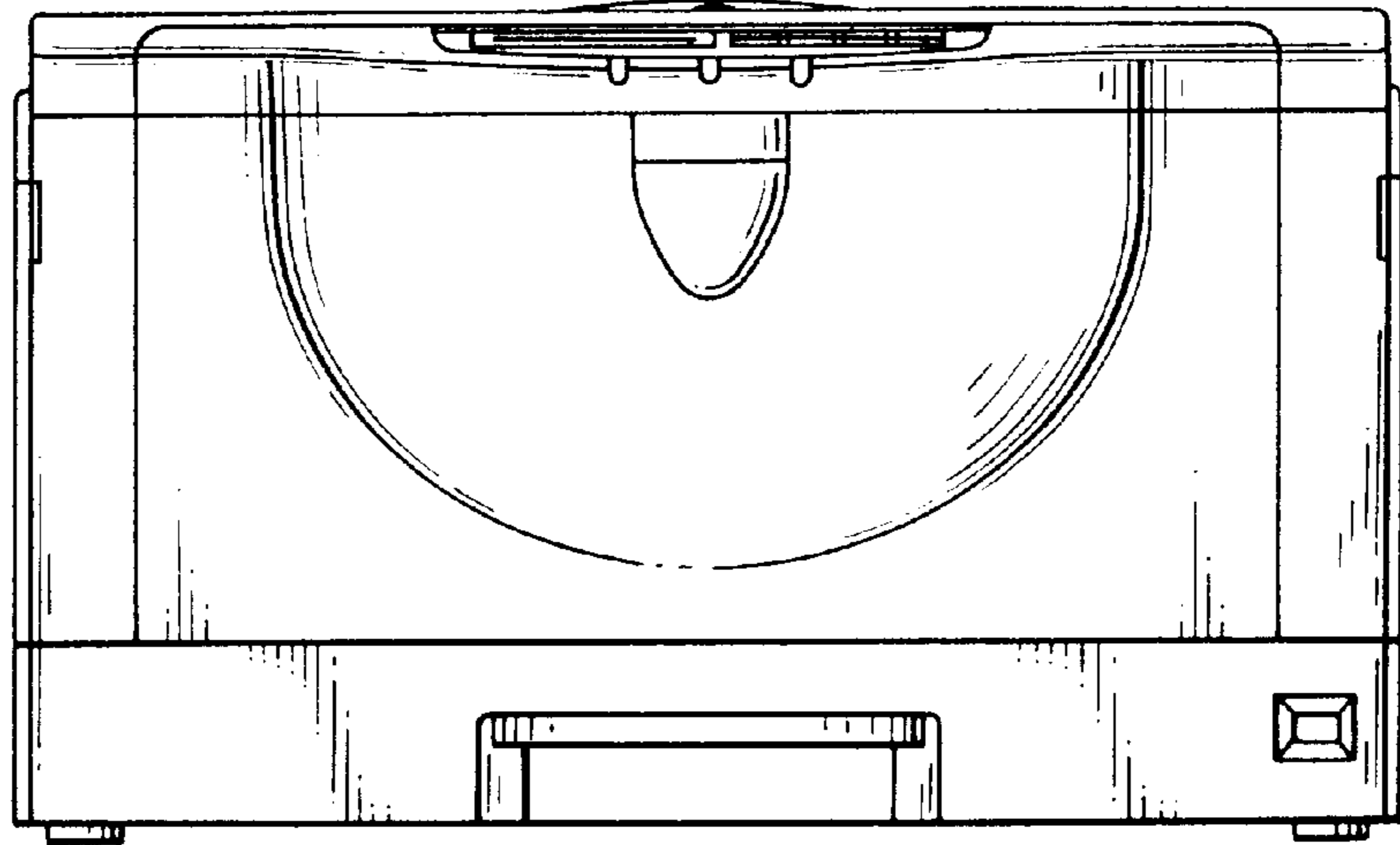


FIG. 2

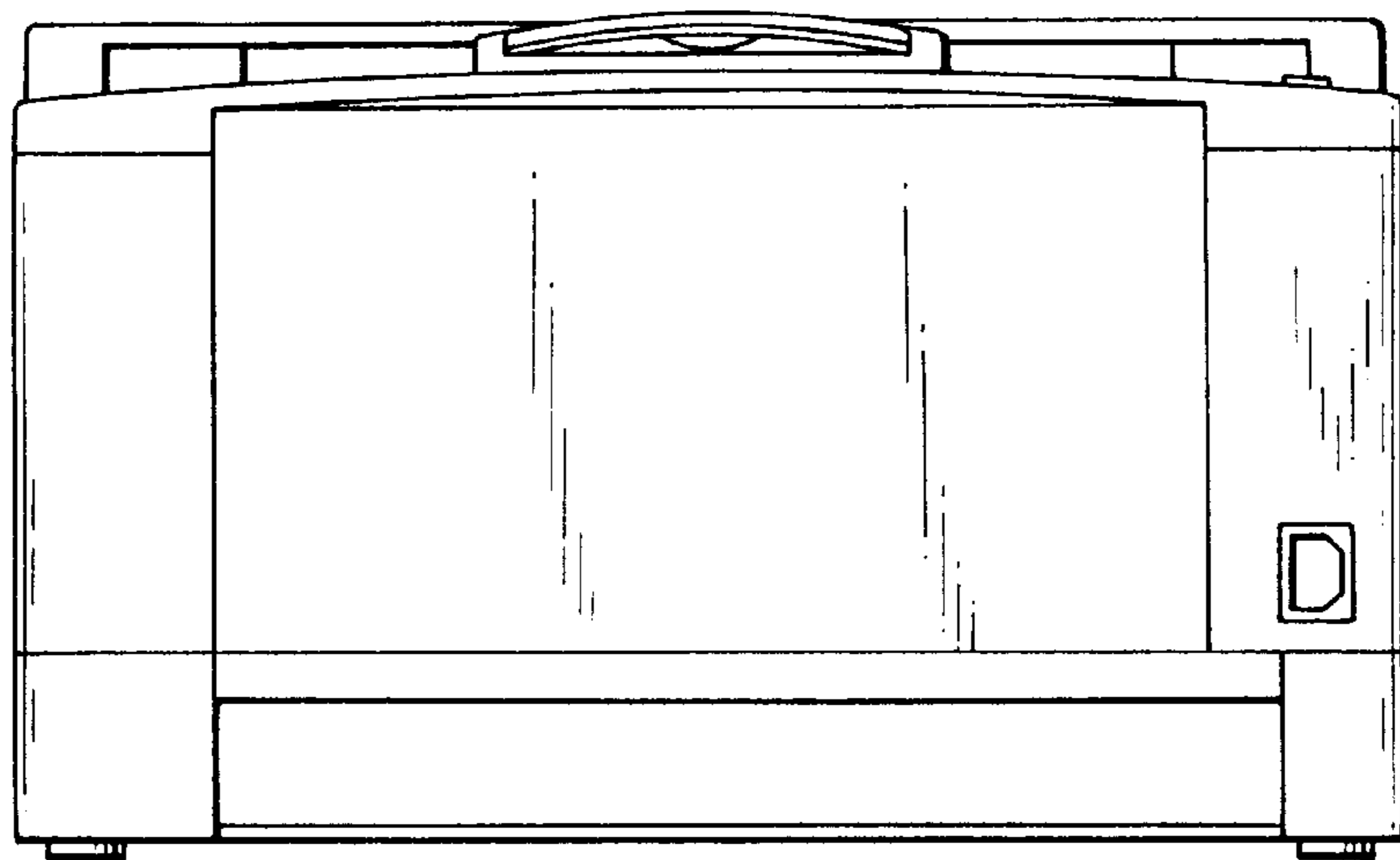


FIG. 3

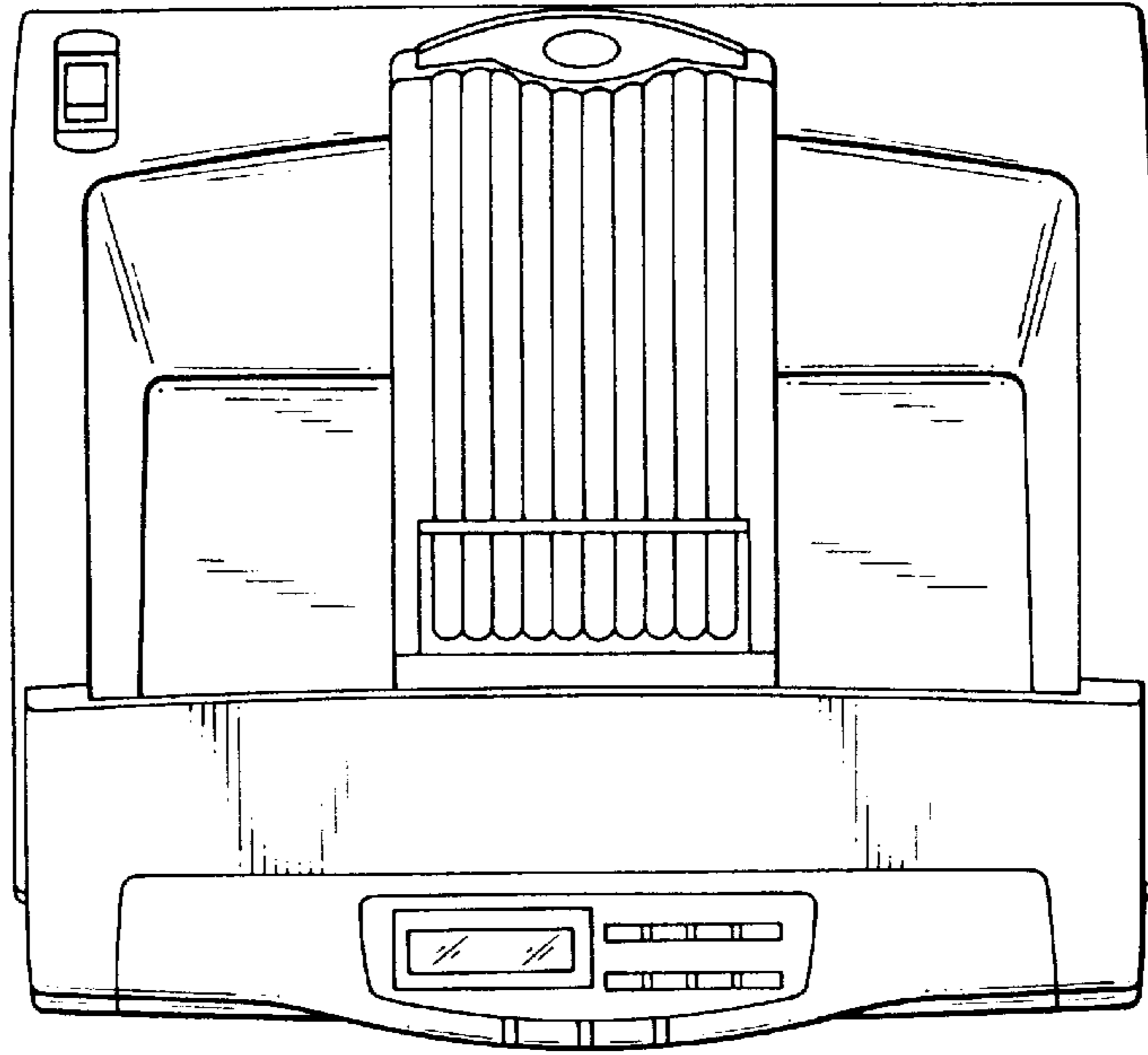


FIG. 4

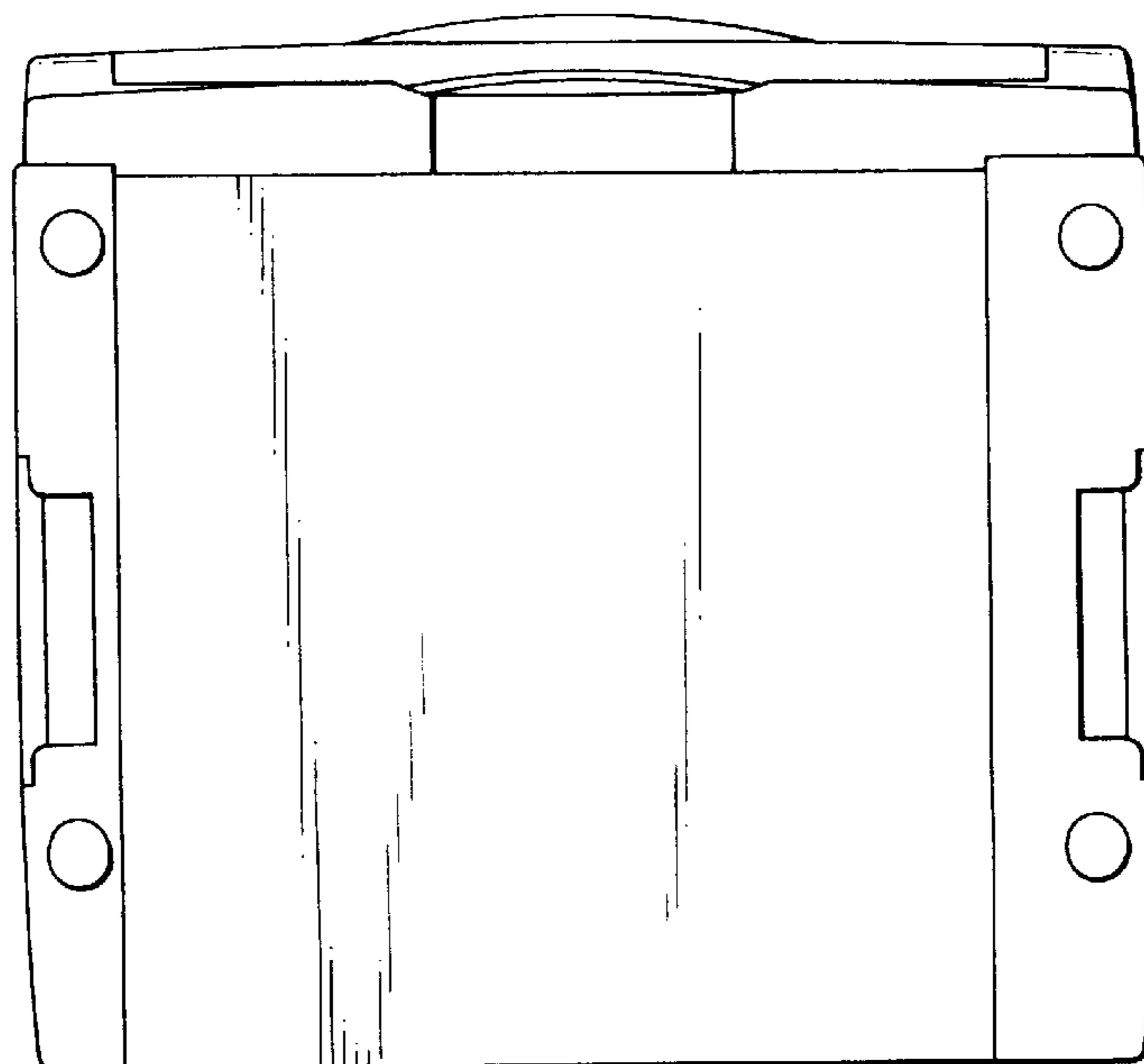


FIG. 5

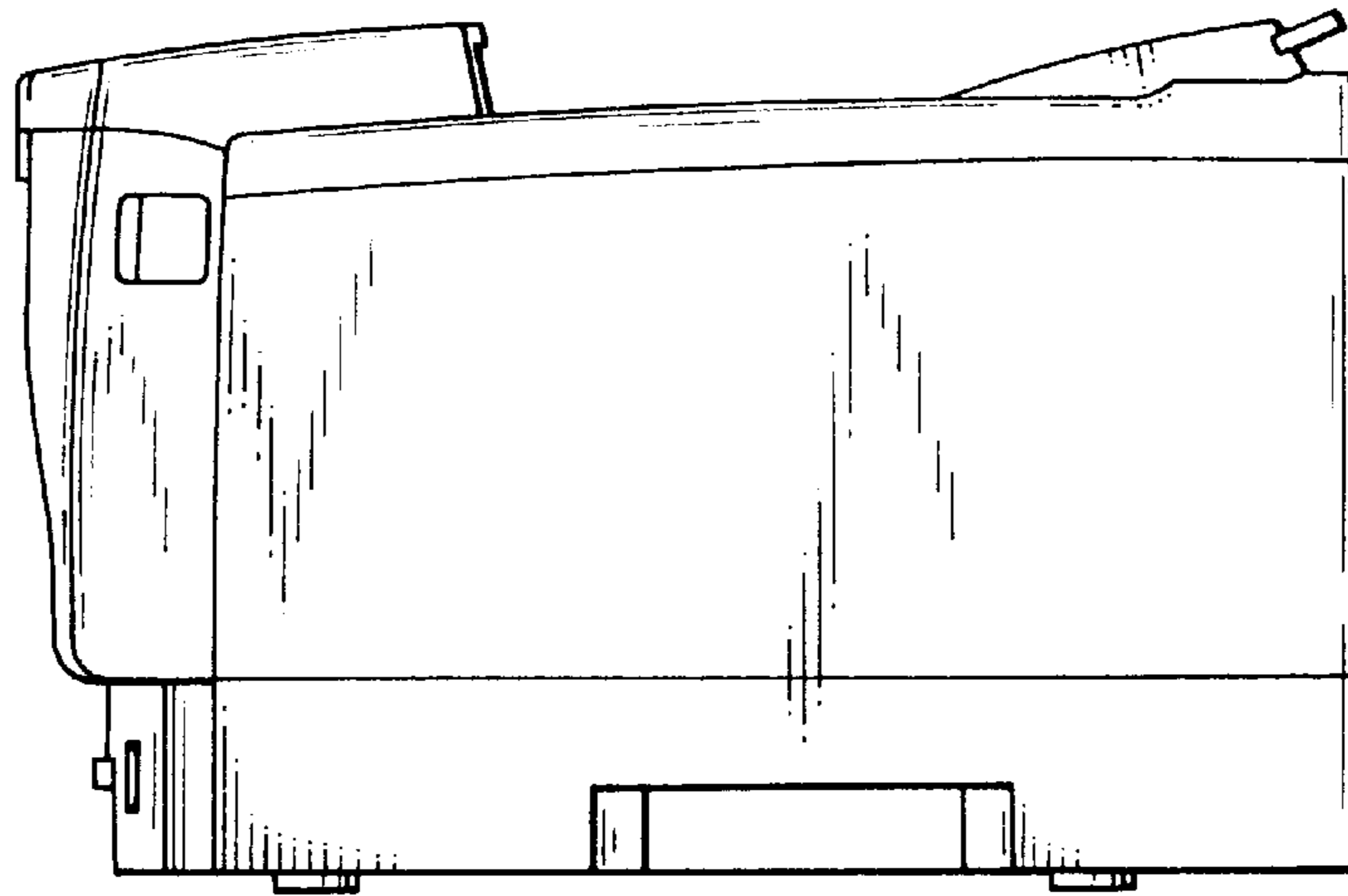


FIG. 6

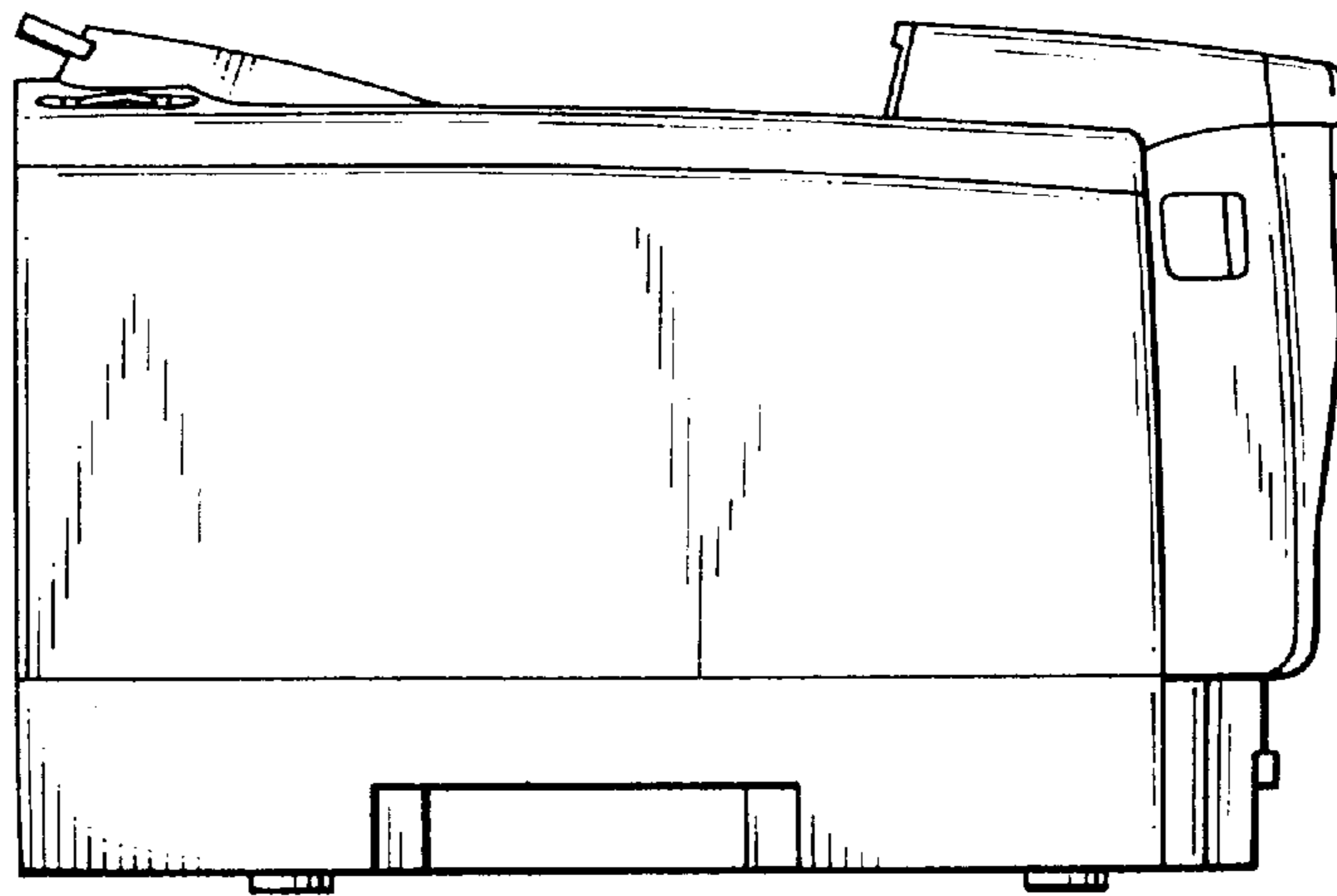


FIG. 7

