



US00D415519S

**United States Patent** [19]  
**Mori**

[11] **Patent Number: Des. 415,519**

[45] **Date of Patent: \*\* Oct. 19, 1999**

[54] **PAPER CUTTER**

2,310,838 2/1943 Helprin ..... 83/468  
3,958,477 5/1976 Carlson ..... 83/485

[75] Inventor: **Makoto Mori**, Tokyo, Japan

**OTHER PUBLICATIONS**

[73] Assignee: **Carl Jimuki Kabushiki Kaisha**,  
Tokyo, Japan

Miller's Office Products Catalog, p. 957, items E and F,  
Rotary Trimmers, Dec. 1977.

[\*\*] Term: **14 Years**

*Primary Examiner*—Louis S. Zarfes  
*Assistant Examiner*—Gregory Andoll  
*Attorney, Agent, or Firm*—Oliff & Berridge, PLC

[21] Appl. No.: **29/094,866**

[22] Filed: **Oct. 13, 1998**

[57] **CLAIM**

[30] **Foreign Application Priority Data**

The ornamental design for a paper cutter, as shown and  
described.

Jun. 19, 1998 [JP] Japan ..... 10-17779

**DESCRIPTION**

[51] **LOC (6) Cl.** ..... **18-04**

[52] **U.S. Cl.** ..... **D18/34**

[58] **Field of Search** ..... D18/34, 99; D19/72;  
D15/127, 129, 141; 83/585, 607, 468, 485,  
583, 614, 636, 663

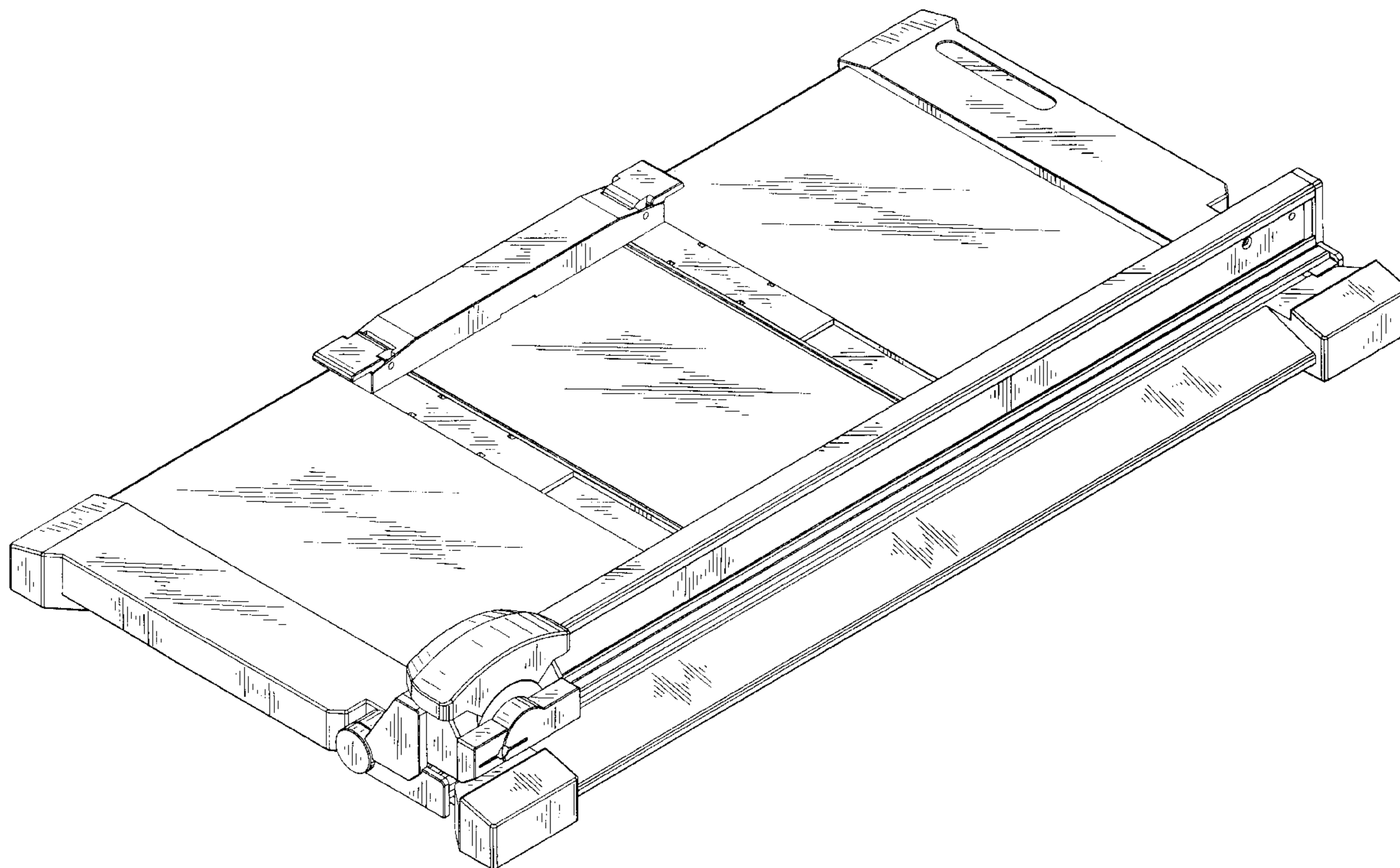
FIG. 1 is a front and right side perspective view of paper  
cutter embodying my new design;  
FIG. 2 is a front elevational view thereof;  
FIG. 3 is a top plan view thereof;  
FIG. 4 is a bottom view thereof;  
FIG. 5 is a left side elevational view thereof;  
FIG. 6 is a right side elevational view thereof;  
FIG. 7 is a rear elevational view thereof;  
FIG. 8 is a perspective view showing the article in use;  
FIG. 9 is a perspective view showing the article in use; and,  
FIG. 10 is a perspective view showing the article in use.

[56] **References Cited**

**U.S. PATENT DOCUMENTS**

234,829 11/1880 Whitelaw ..... 83/485  
318,556 5/1885 French ..... 83/485  
D. 322,974 1/1992 Mori ..... D15/127  
D. 348,271 6/1994 Mori ..... D15/127  
D. 377,368 1/1997 Rellinger ..... D18/34

**1 Claim, 8 Drawing Sheets**



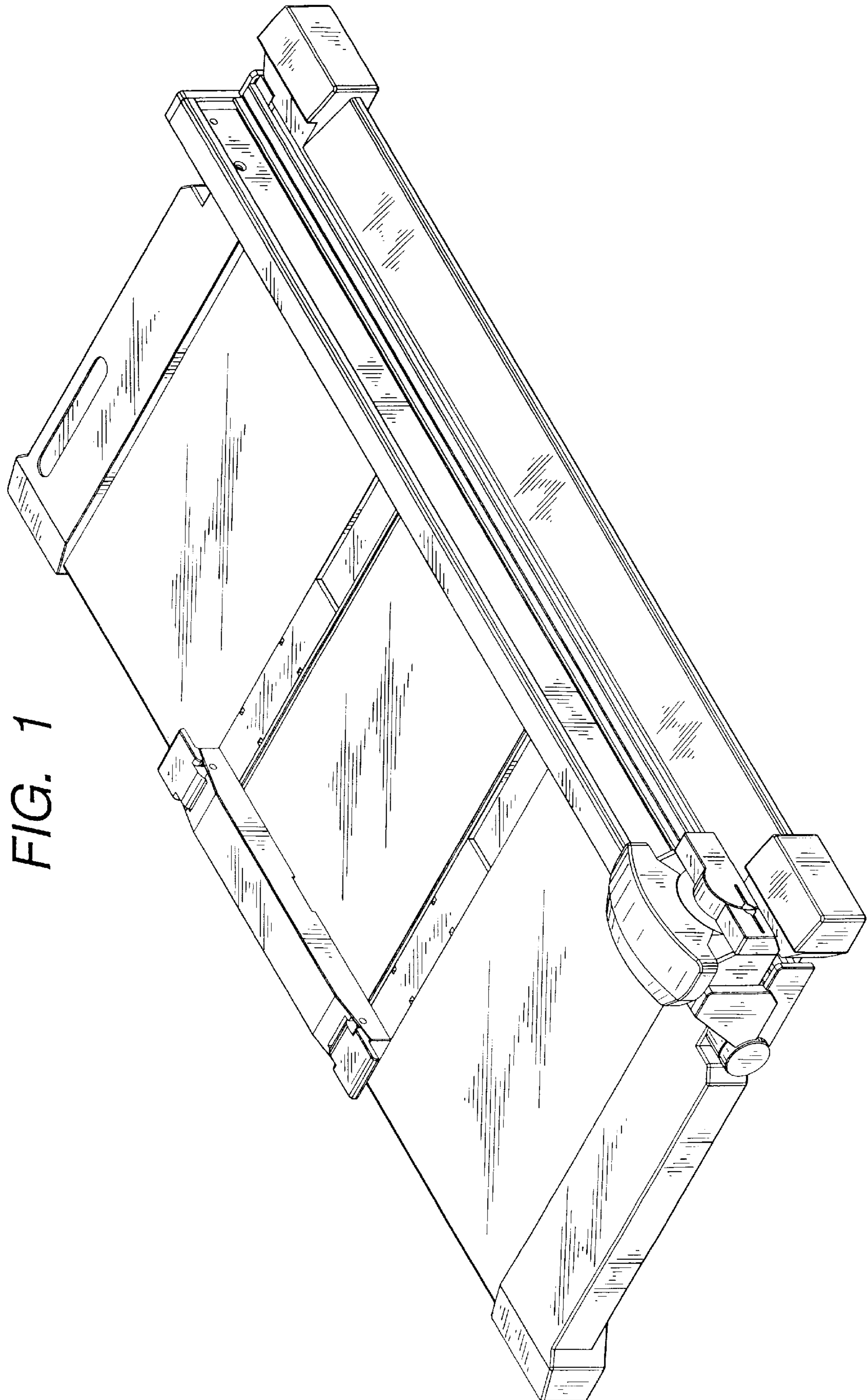
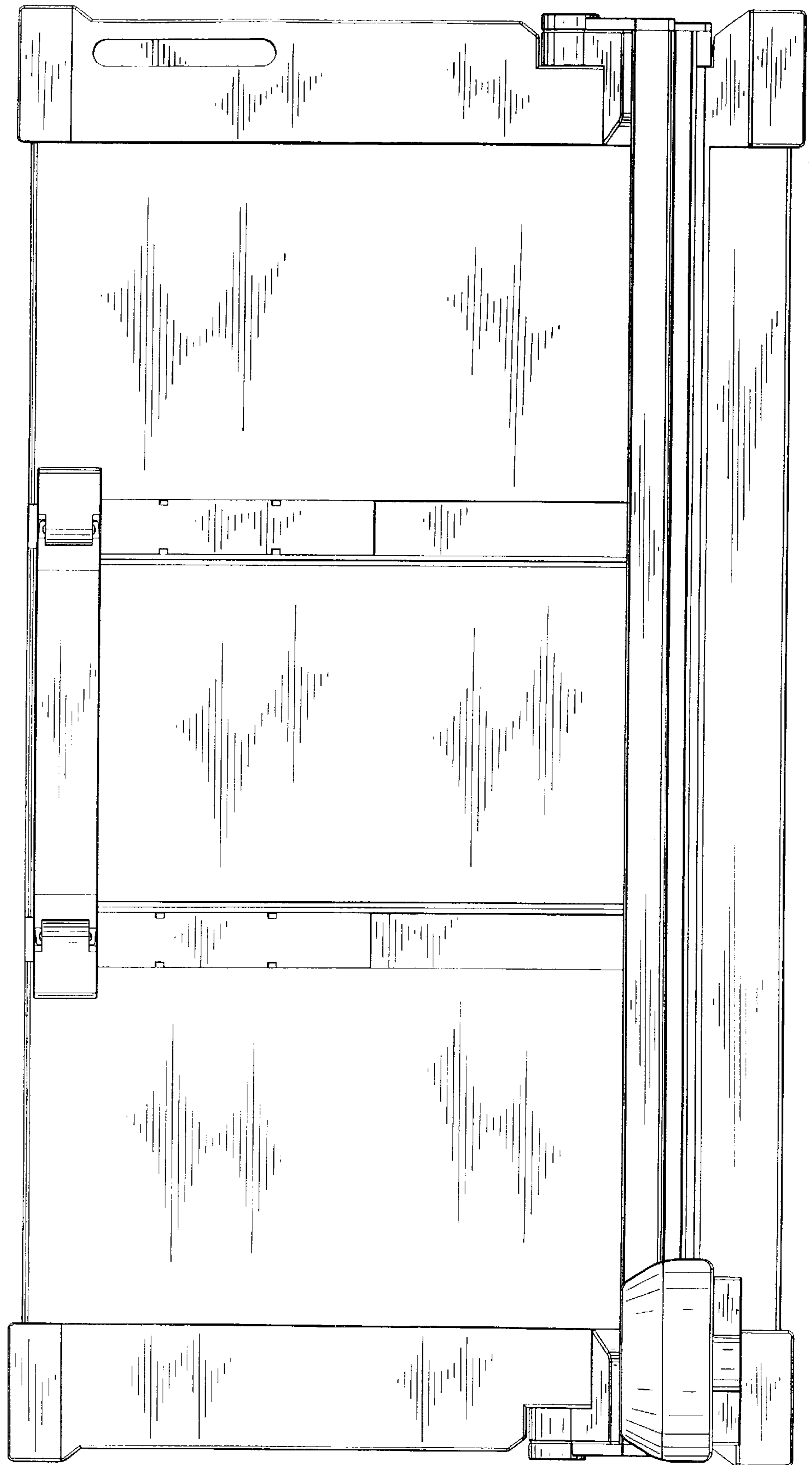
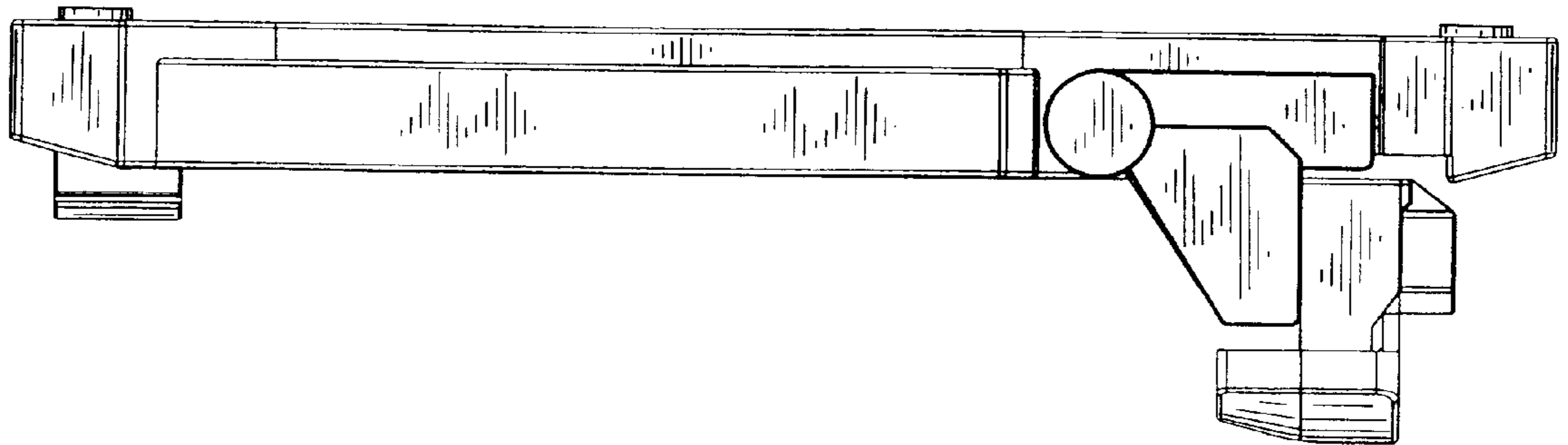


FIG. 1

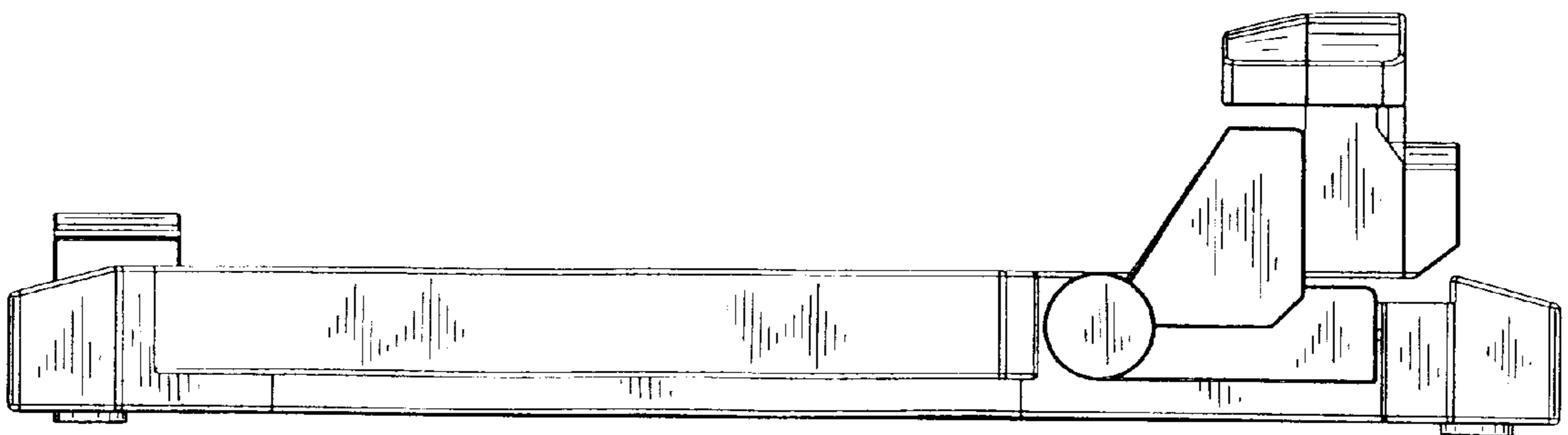
FIG. 2



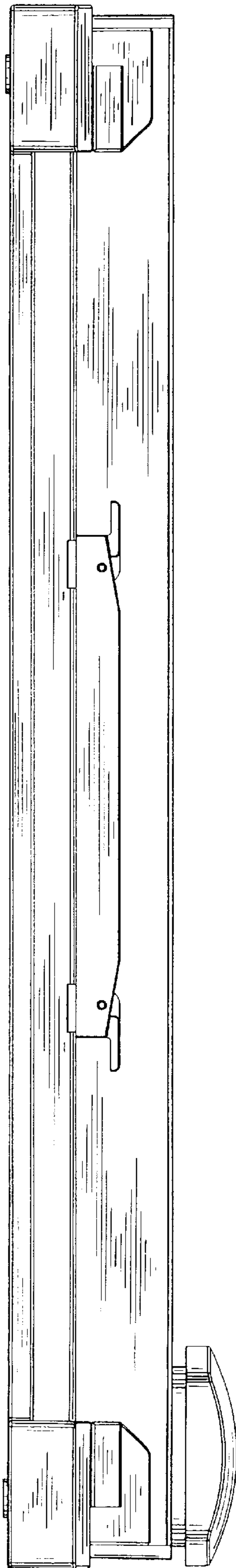
*FIG. 3*



*FIG. 4*



*FIG. 5*



*FIG. 6*

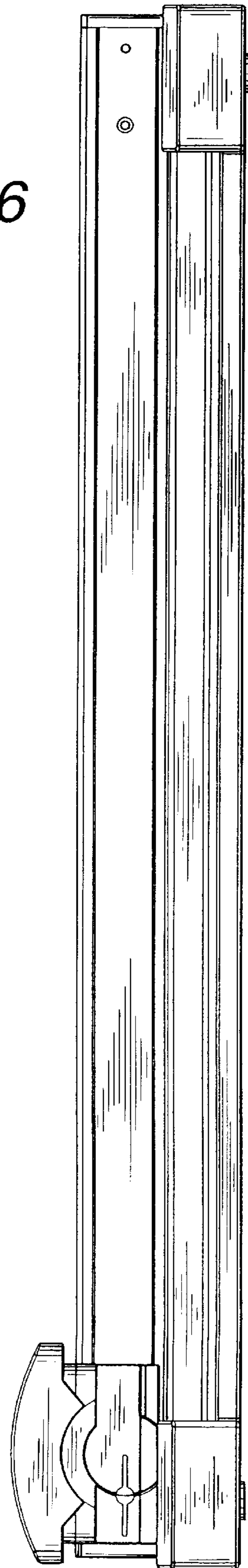
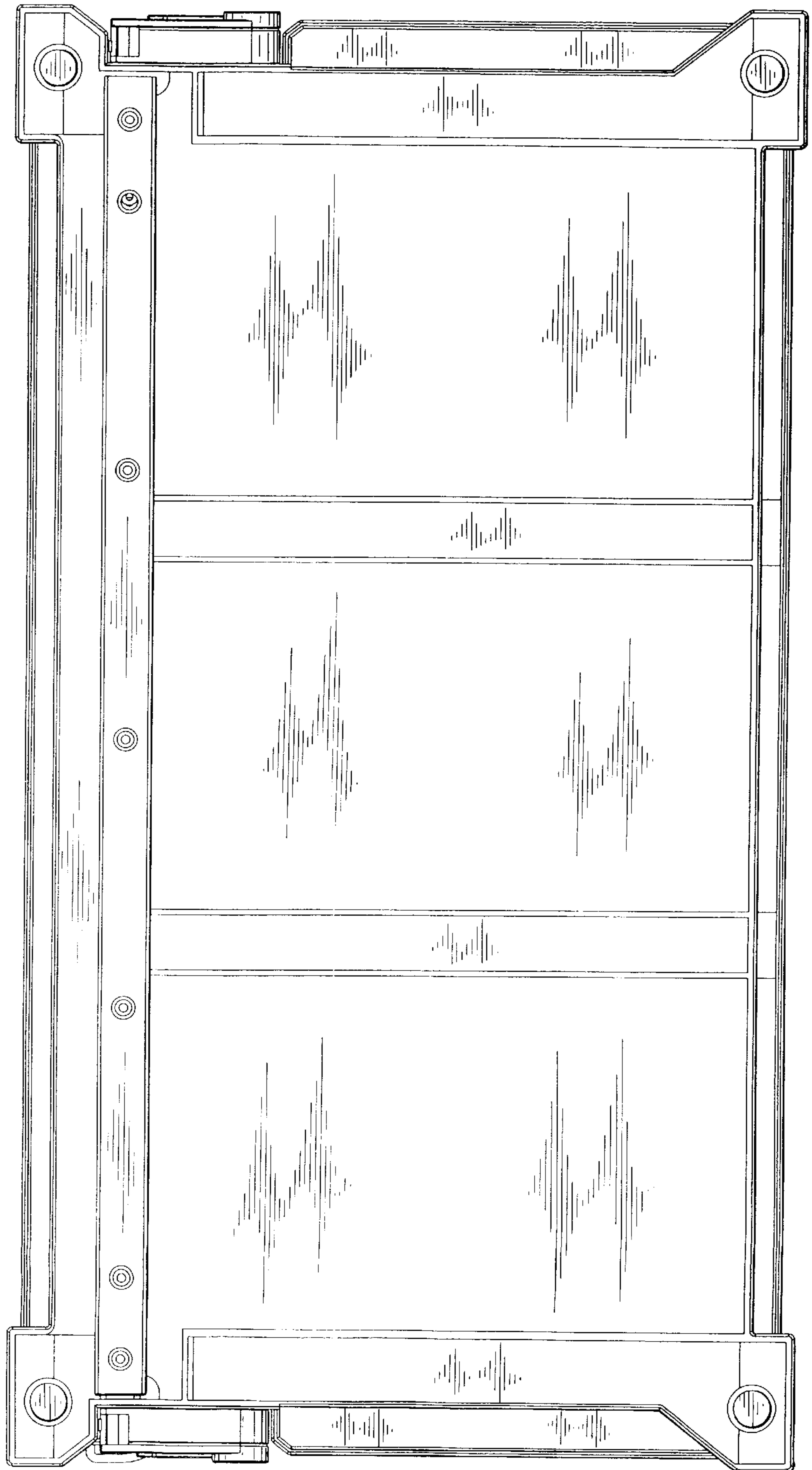


FIG. 7



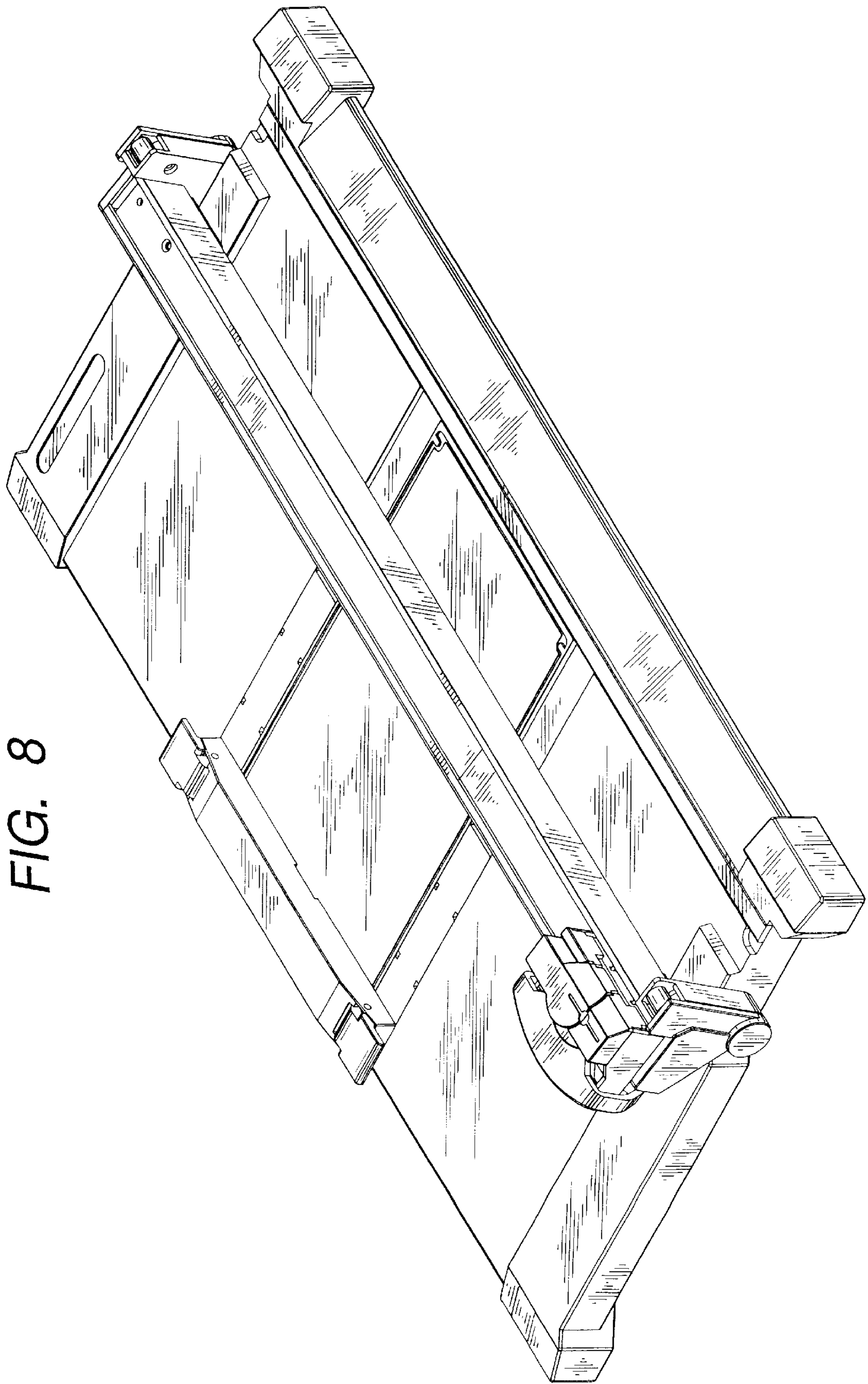


FIG. 8

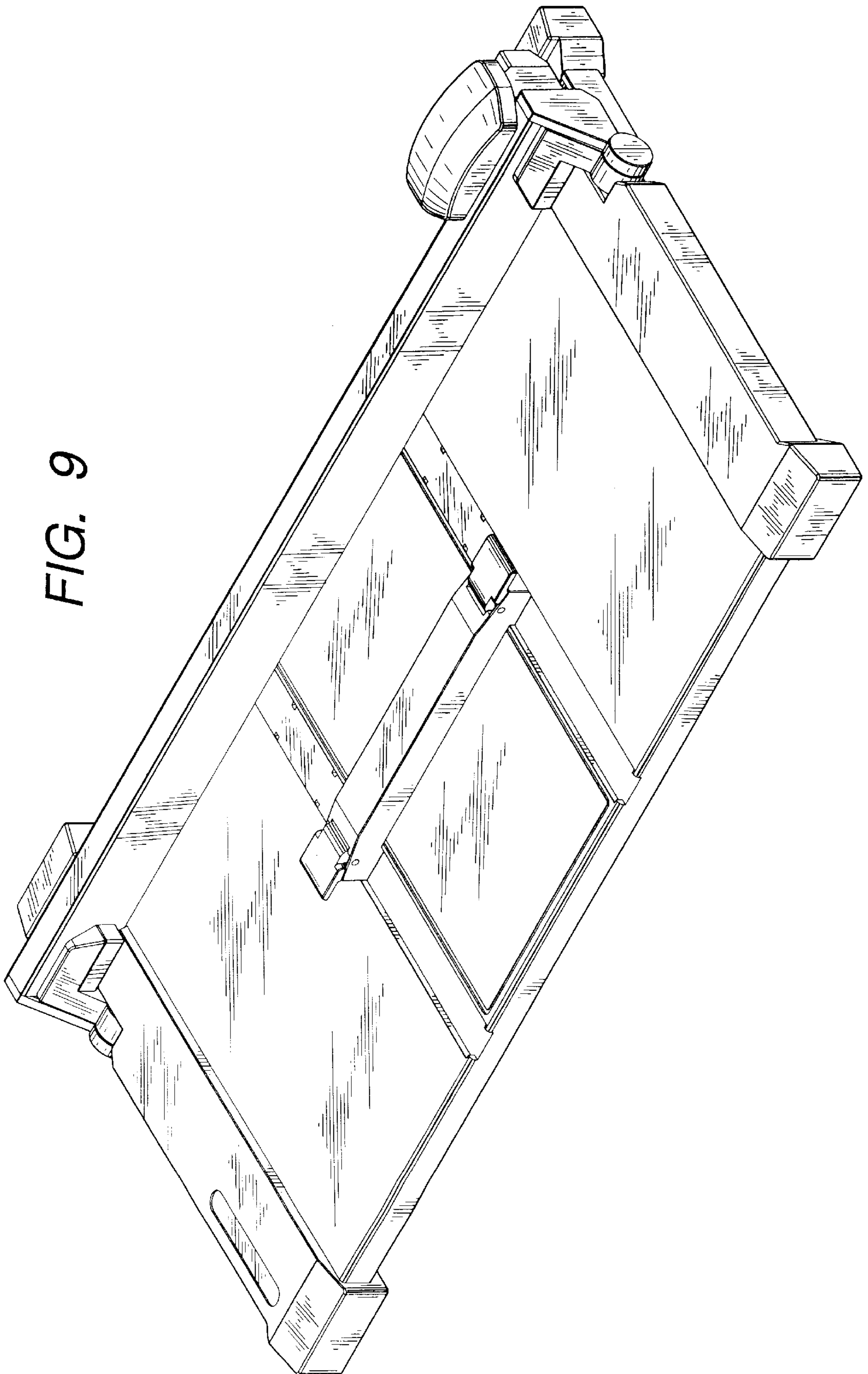


FIG. 9



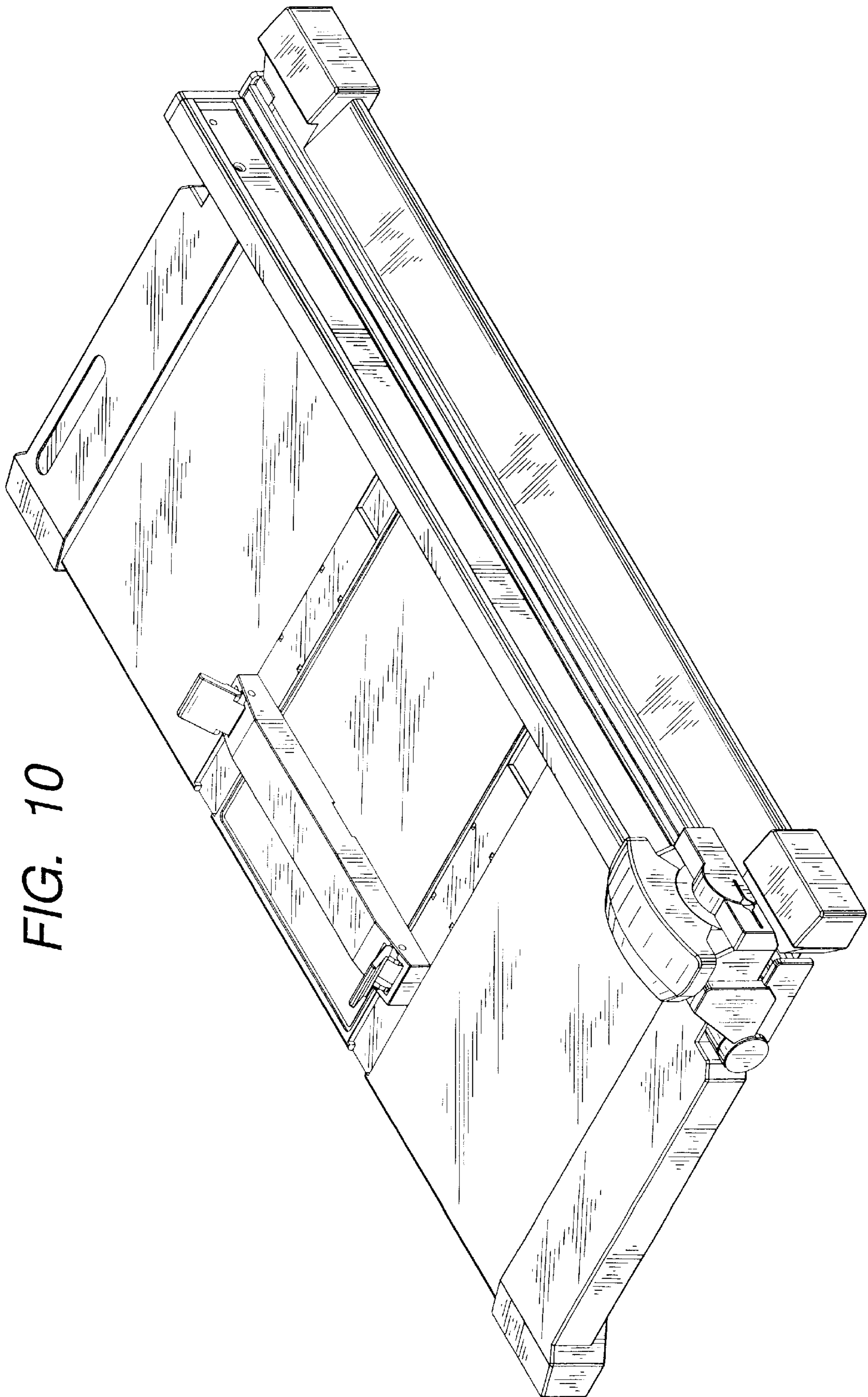


FIG. 10