



US00D415513S

United States Patent [19] Fujii

[11] Patent Number: **Des. 415,513**

[45] Date of Patent: **** Oct. 19, 1999**

[54] **SINGLE LENS REFLEX CAMERA BODY**

[75] Inventor: **Akio Fujii**, Tokyo, Japan

[73] Assignee: **Asahi Kogaku Kogyo Kabushiki Kaisha**, Tokyo, Japan

[**] Term: **14 Years**

[21] Appl. No.: **29/081,845**

[22] Filed: **Dec. 17, 1997**

[30] **Foreign Application Priority Data**

Jun. 18, 1997 [JP] Japan 9-58348

[51] **LOC (6) Cl.** **16-01**

[52] **U.S. Cl.** **D16/217; D16/200; D16/202**

[58] **Field of Search** **D16/200-206, D16/208, 209, 216-218; 348/373-376; 396/206, 354-359**

[56] **References Cited**

U.S. PATENT DOCUMENTS

D. 304,729 11/1989 Sugiyama et al. D16/217

D. 327,286 6/1992 Fukutomi D16/202
D. 352,517 11/1994 Sugiyama D16/202
D. 387,079 12/1997 Horikiri D16/217
4,406,533 9/1983 Yamamoto 396/206

Primary Examiner—Ted Shooman
Assistant Examiner—Adir Aronovich
Attorney, Agent, or Firm—Sughrue, Mion, Zinn, Macpeak & Seas, PLLC

[57] **CLAIM**

The ornamental design for a single-lens reflex camera body, as shown.

DESCRIPTION

FIG. 1 is a perspective view of the top, front and left side of a single-lens reflex camera body showing my new design; FIG. 2 is a front elevational view thereof; FIG. 3 is a rear elevational view thereof; FIG. 4 is a top plan view thereof; FIG. 5 is a bottom plan view thereof; FIG. 6 is a right side elevational view thereof; and, FIG. 7 is a left side elevational view thereof.

1 Claim, 4 Drawing Sheets

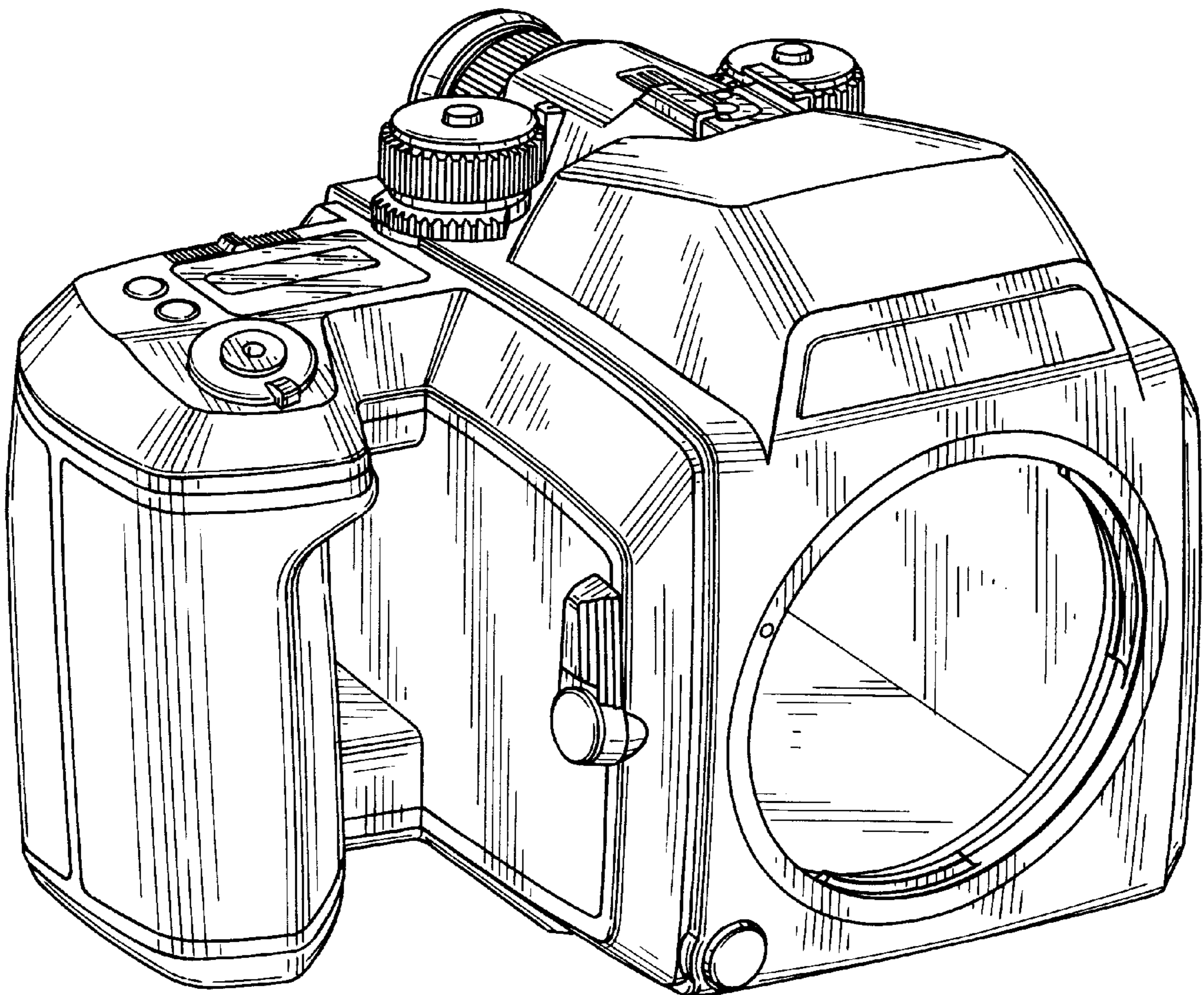


FIG. 1

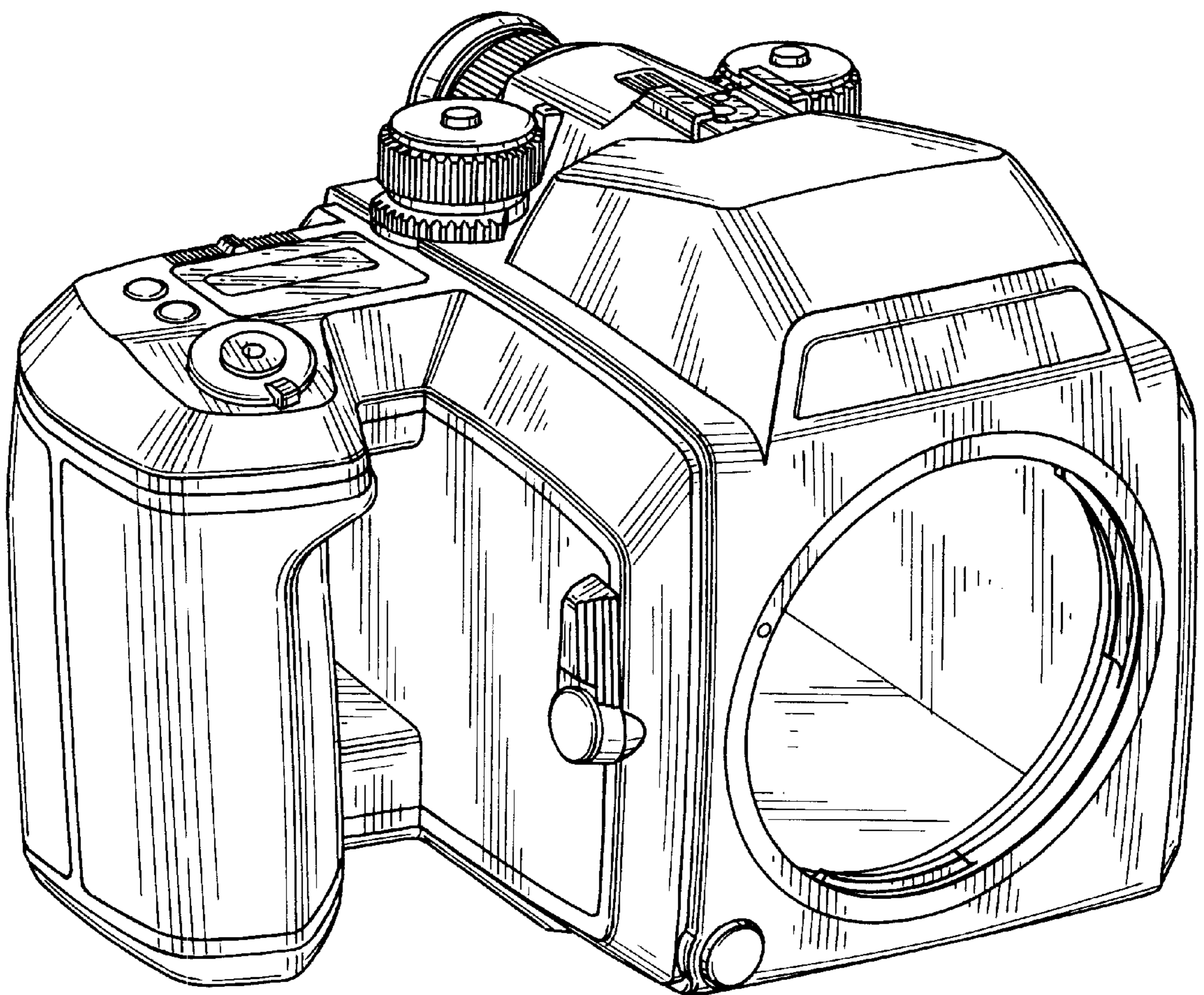


FIG. 2

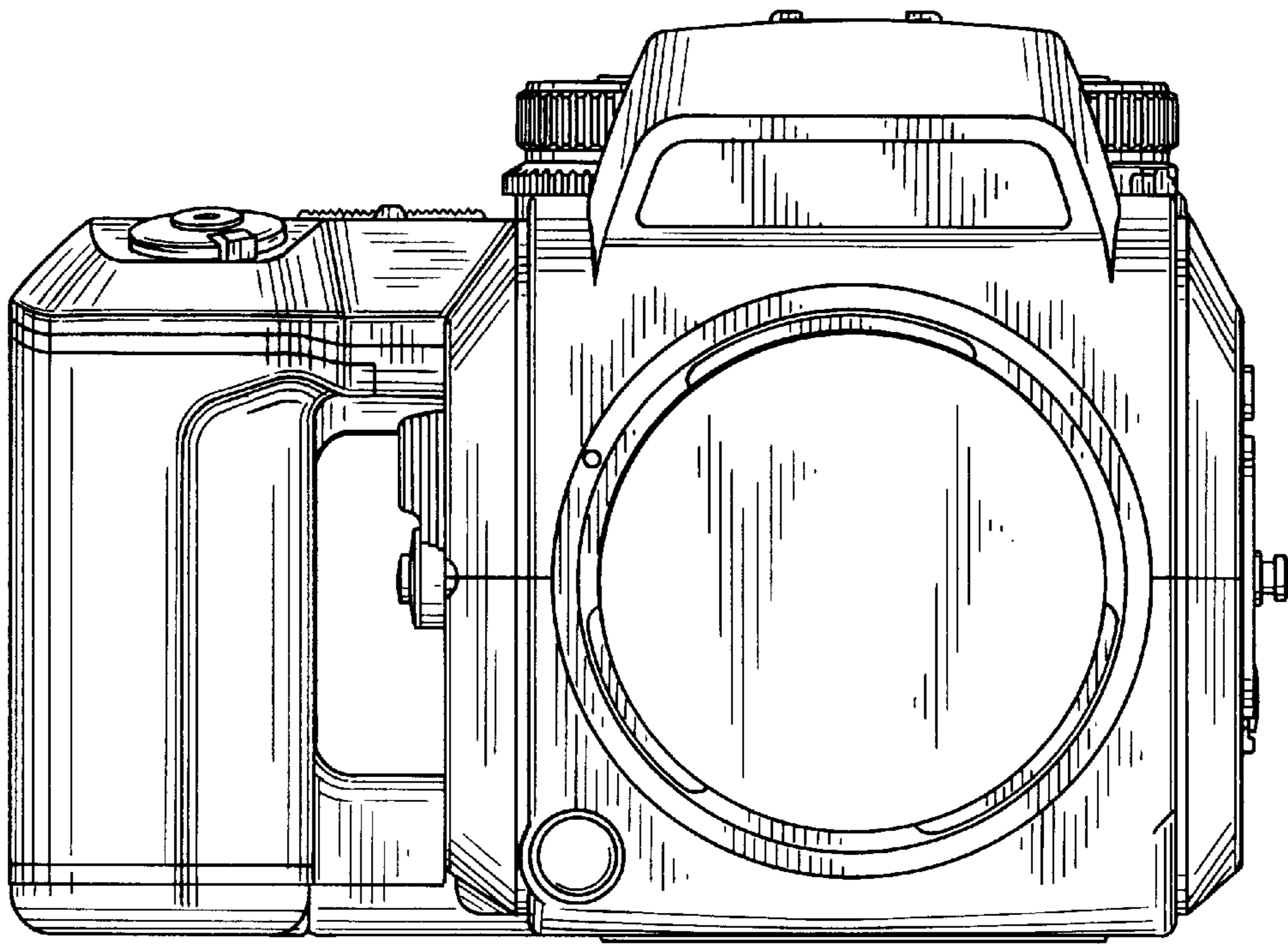


FIG. 3

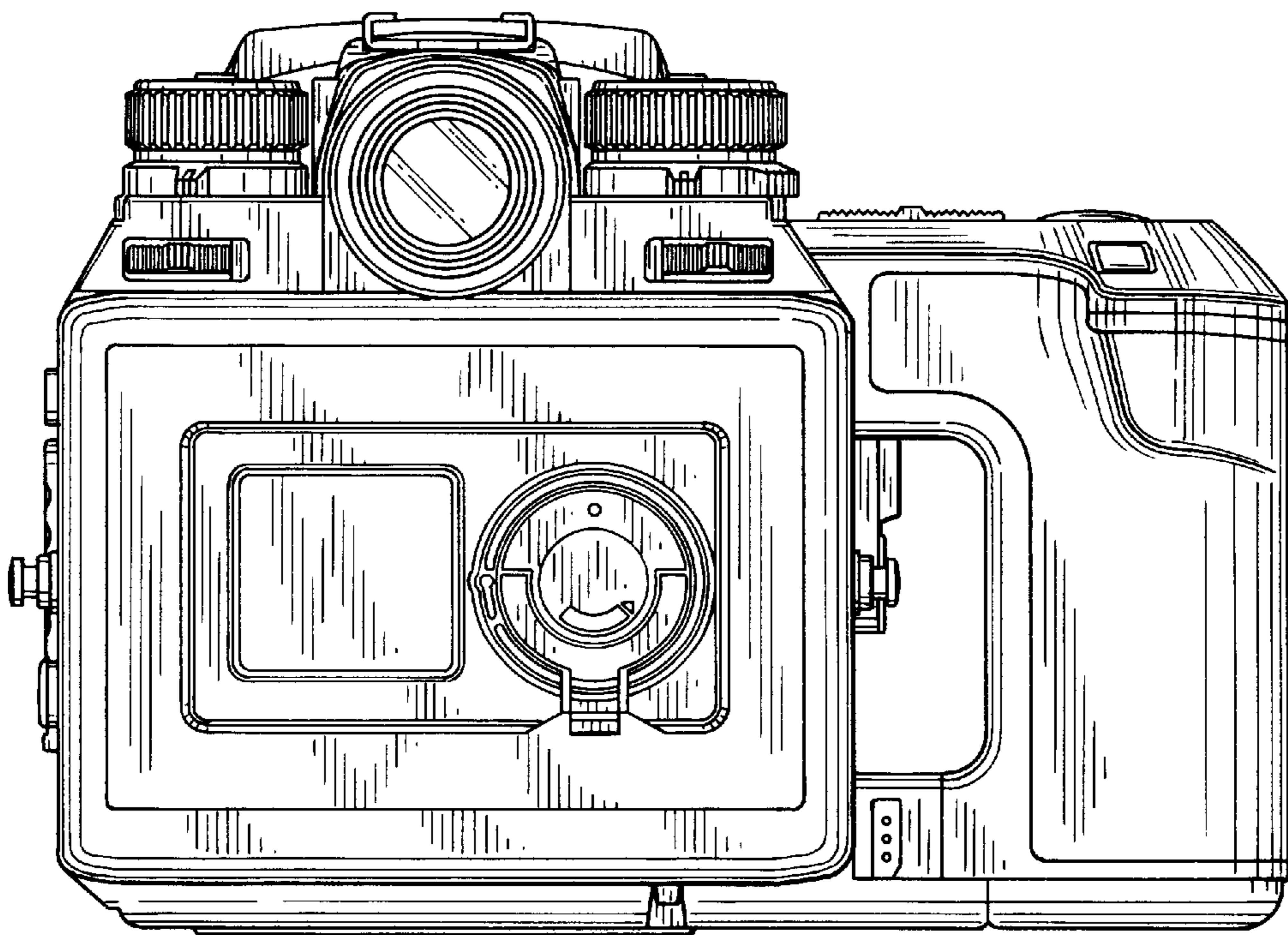


FIG. 4

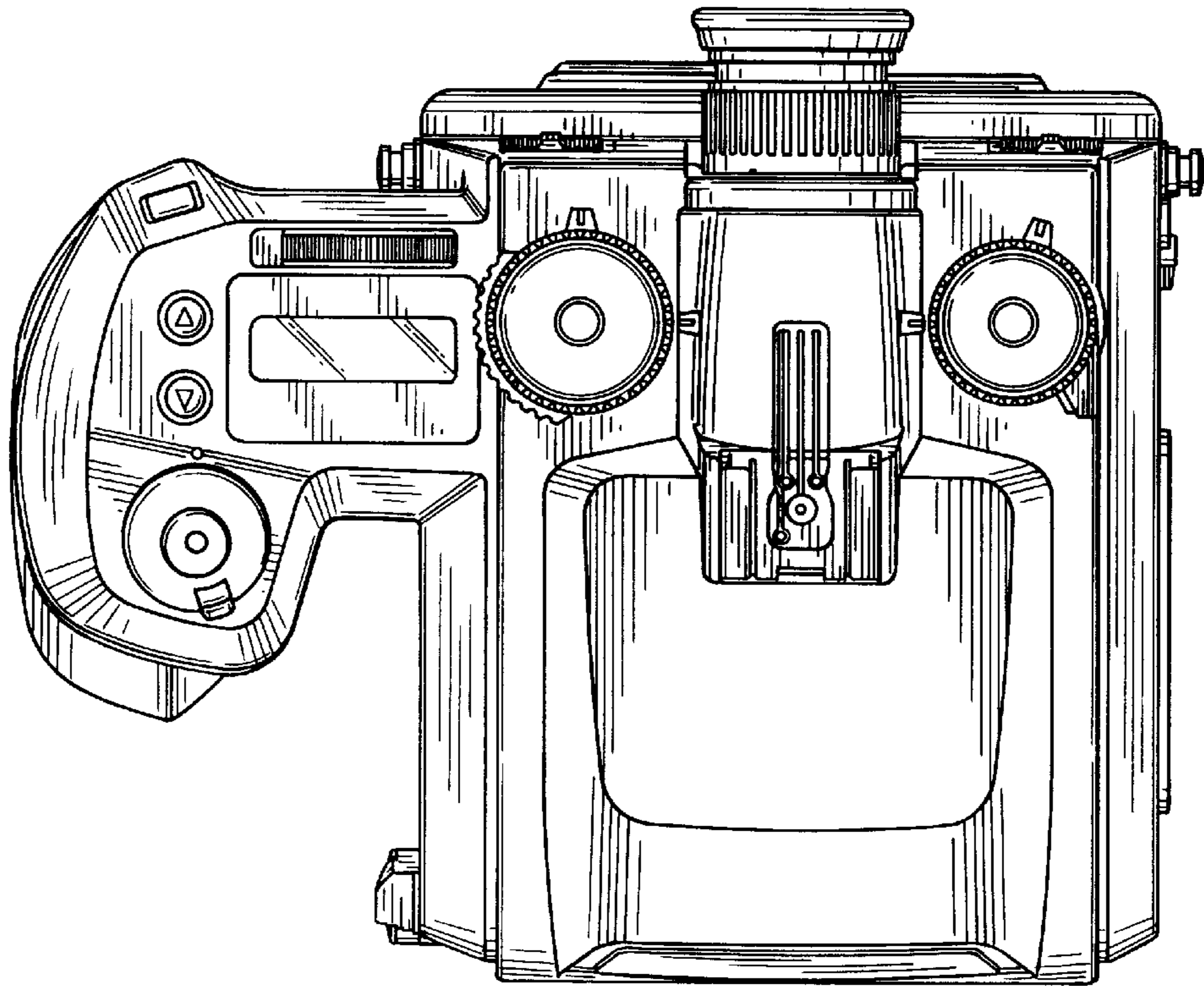


FIG. 5

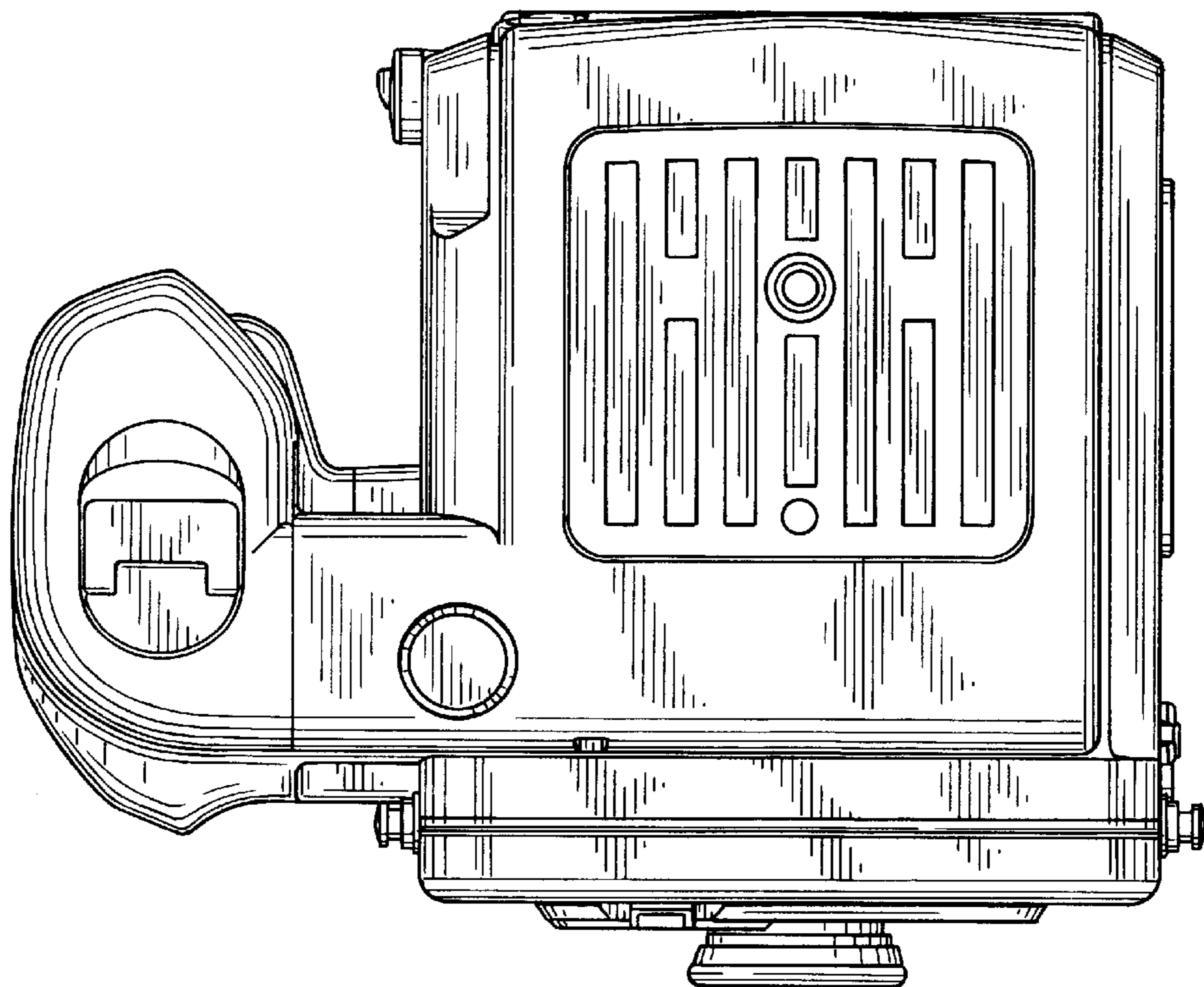


FIG. 6

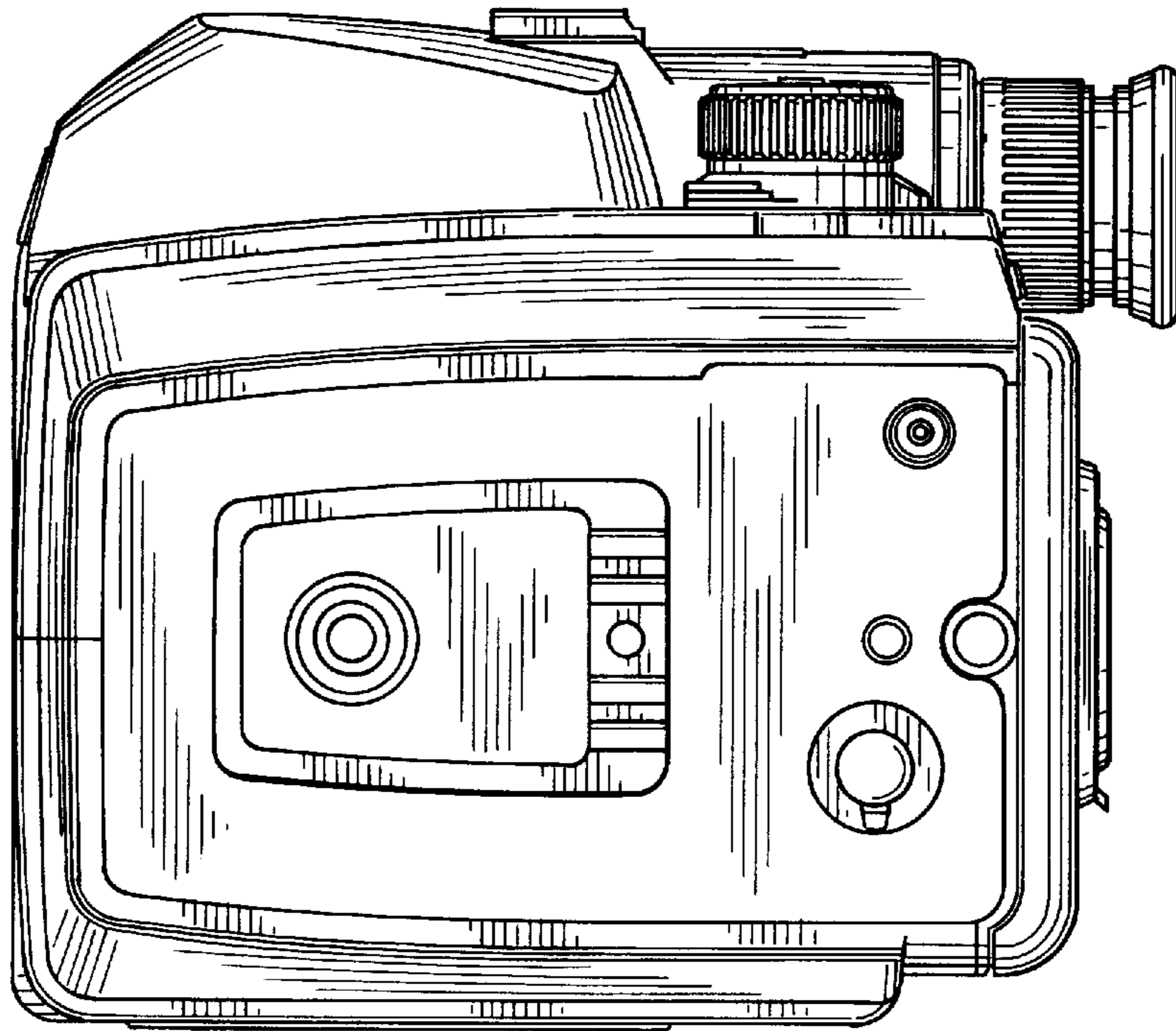


FIG. 7

