



US00D415512S

United States Patent [19]
Takaba

[11] **Patent Number: Des. 415,512**

[45] **Date of Patent: ** *Oct. 19, 1999**

[54] **CAMERA**

[75] **Inventor: Tetsufumi Takaba, Hachioji, Japan**

[73] **Assignee: Konica Corporation, Tokyo, Japan**

[*] **Notice:** This patent is subject to a terminal disclaimer.

[**] **Term: 14 Years**

[21] **Appl. No.: 29/093,551**

[22] **Filed: Sep. 14, 1998**

[30] **Foreign Application Priority Data**

Mar. 18, 1998 [JP] Japan 10-7637

[51] **LOC (6) Cl. 16-01**

[52] **U.S. Cl. D16/209; D16/218**

[58] **Field of Search D16/200-205, D16/208, 209, 216-218; 396/535-543**

[56] **References Cited**

U.S. PATENT DOCUMENTS

D. 345,987 4/1994 Nihei D16/209
D. 374,881 10/1996 Chapman et al. D16/218

D. 386,773 11/1997 Smithborne D16/209
D. 404,751 1/1999 Takaba D16/209
5,619,295 4/1997 Seya et al. 396/535

OTHER PUBLICATIONS

Camera Sogo Catalog, vol. 108 p. 40, 1994.

Primary Examiner—Adir Aronovich
Attorney, Agent, or Firm—Frishauf, Holtz, Goodman, Langer & Chick, P.C.

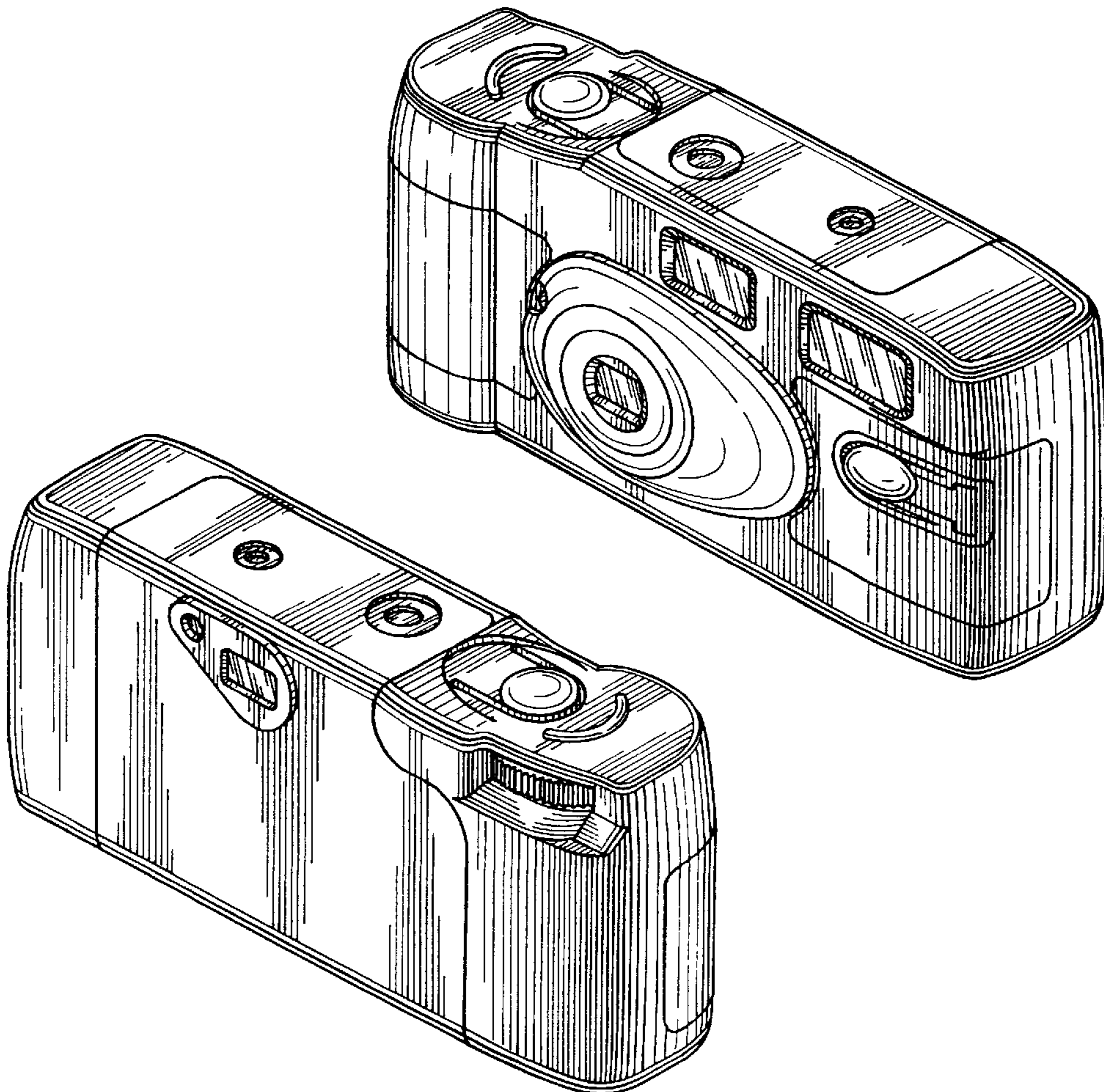
[57] **CLAIM**

The ornamental design for a camera, as shown.

DESCRIPTION

FIG. 1 is a front elevational view of a camera showing my new design;
FIG. 2 is a rear elevational view thereof;
FIG. 3 is a left side view thereof;
FIG. 4 is a right side view thereof;
FIG. 5 is a top plan view thereof;
FIG. 6 is a bottom plan view thereof;
FIG. 7 is a front, right side and top perspective view thereof; and,
FIG. 8 is a rear, left side and top perspective view thereof.

1 Claim, 2 Drawing Sheets



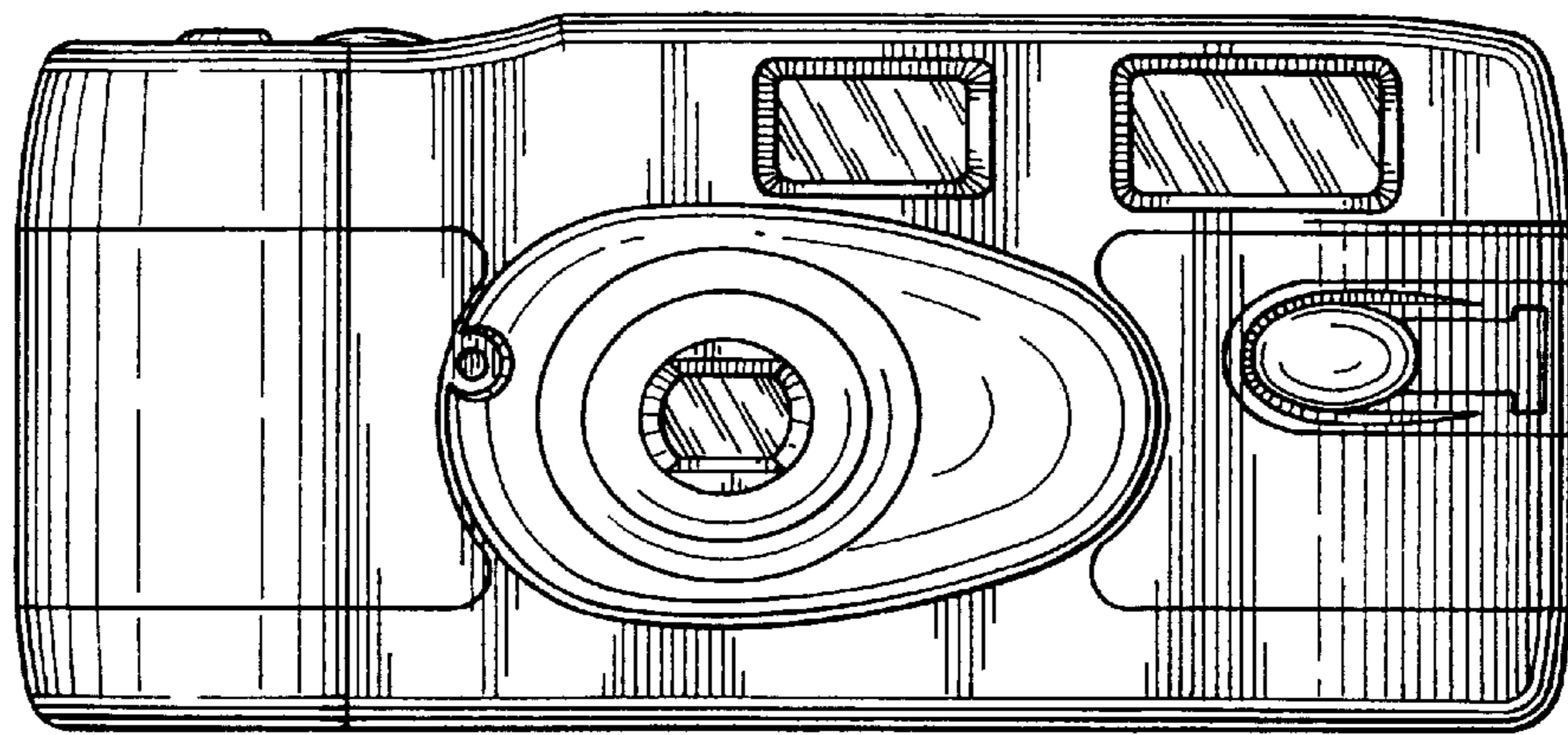


Fig. 1

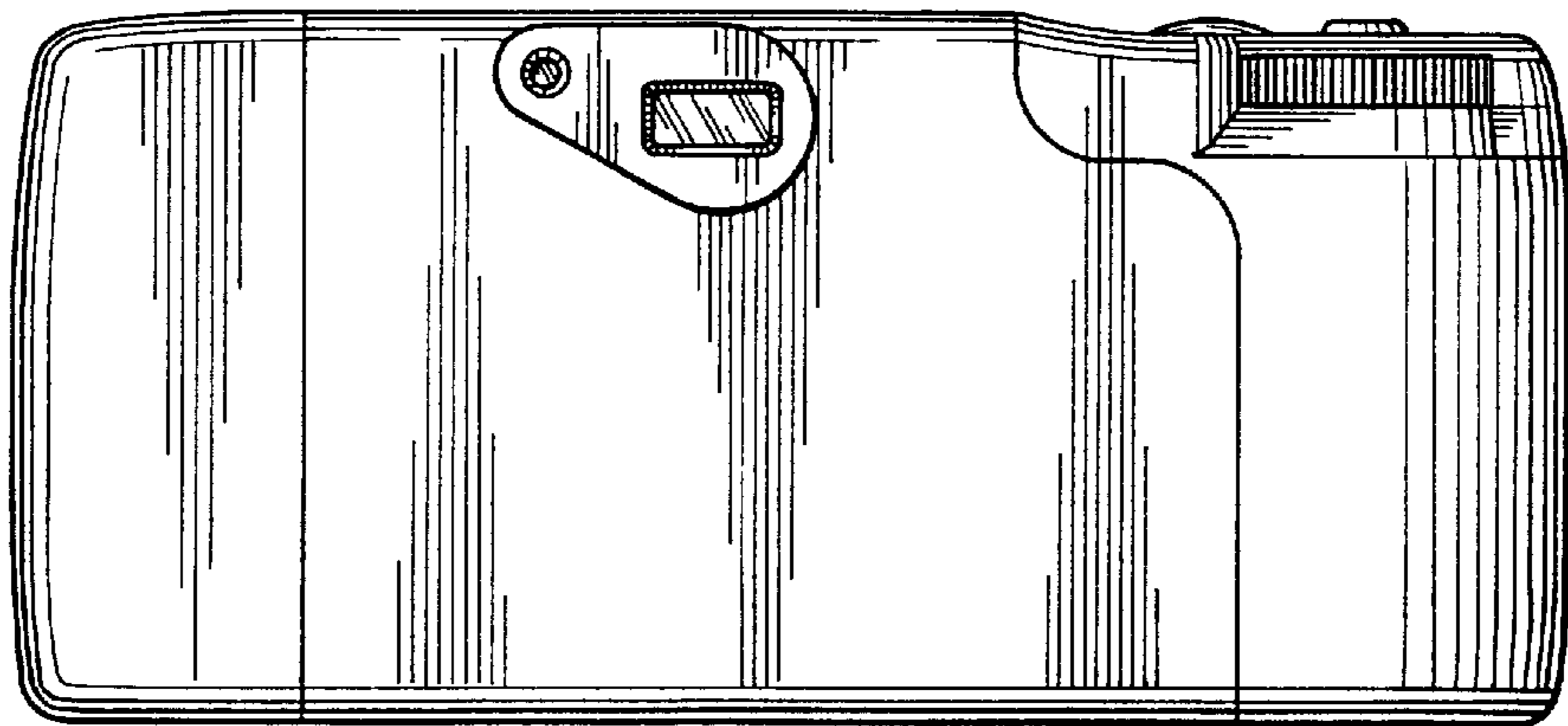


Fig. 2

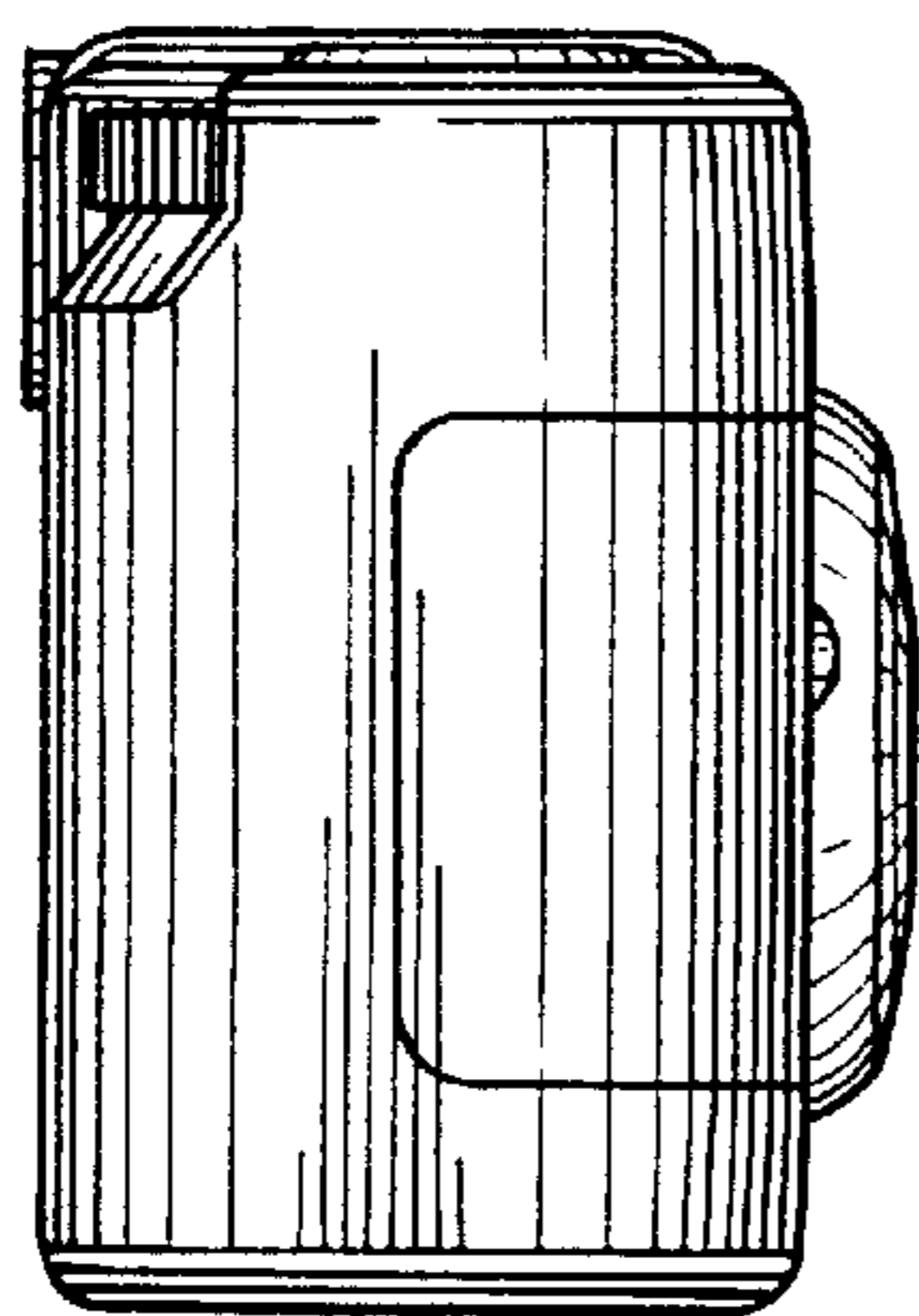


Fig. 3

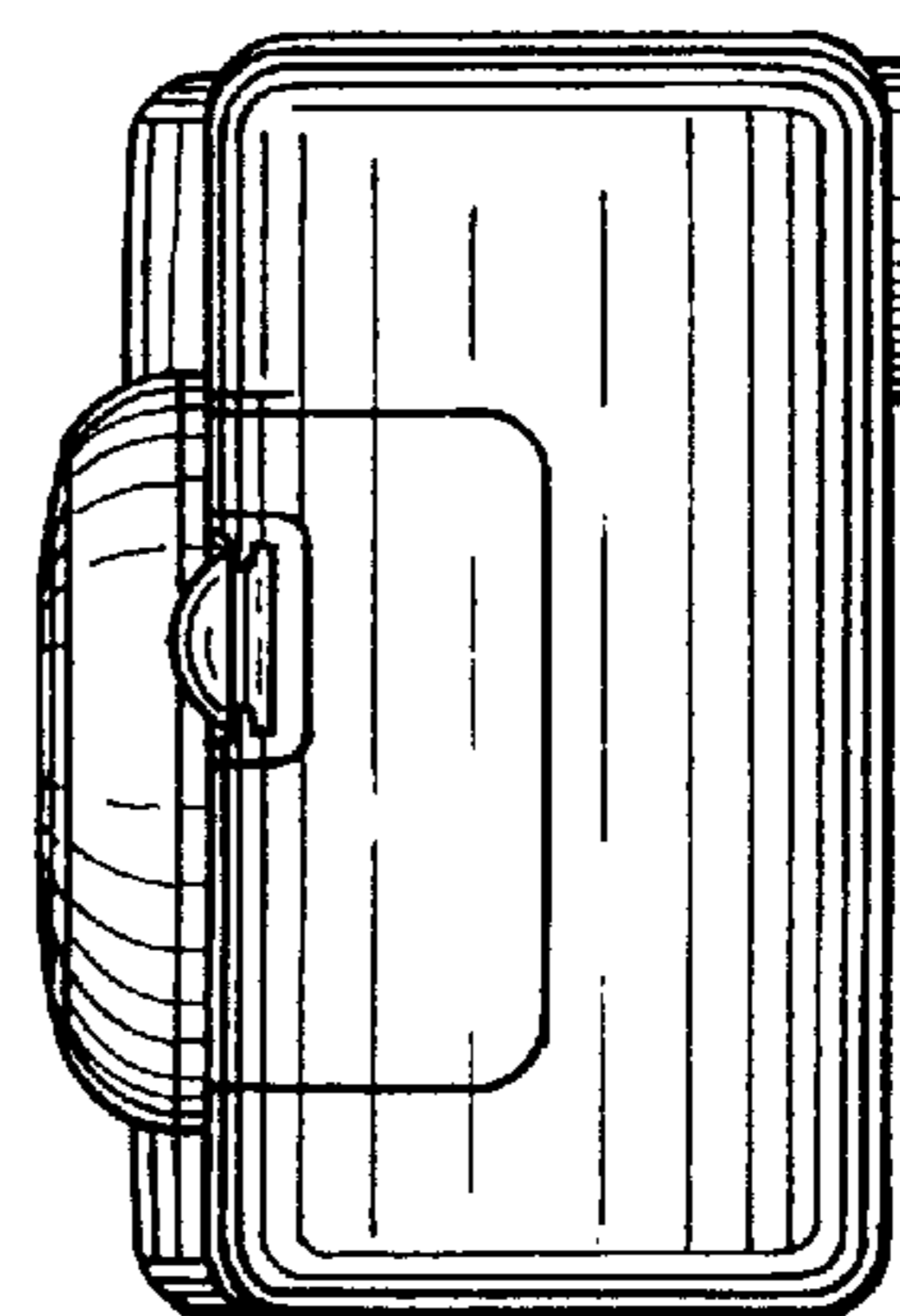


Fig. 4

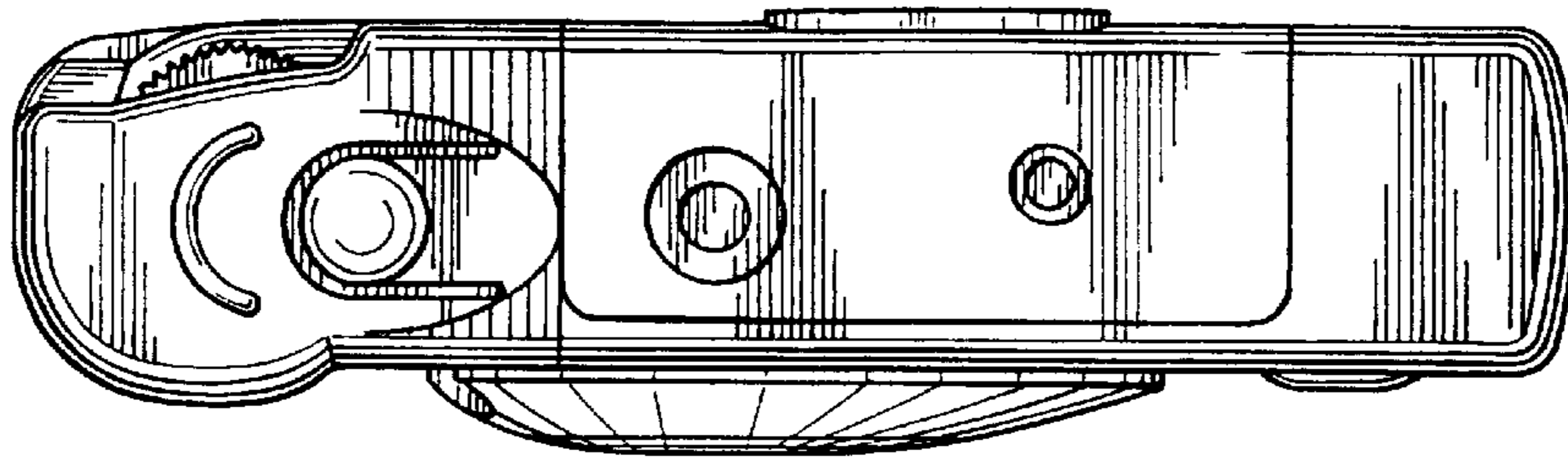


Fig. 5

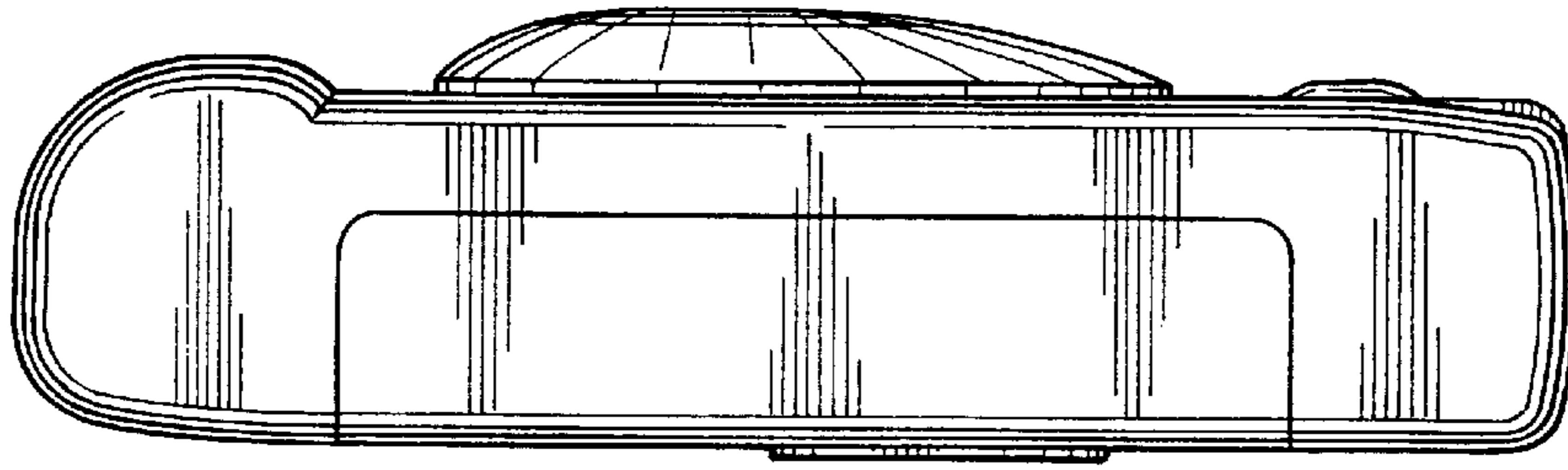


Fig. 6

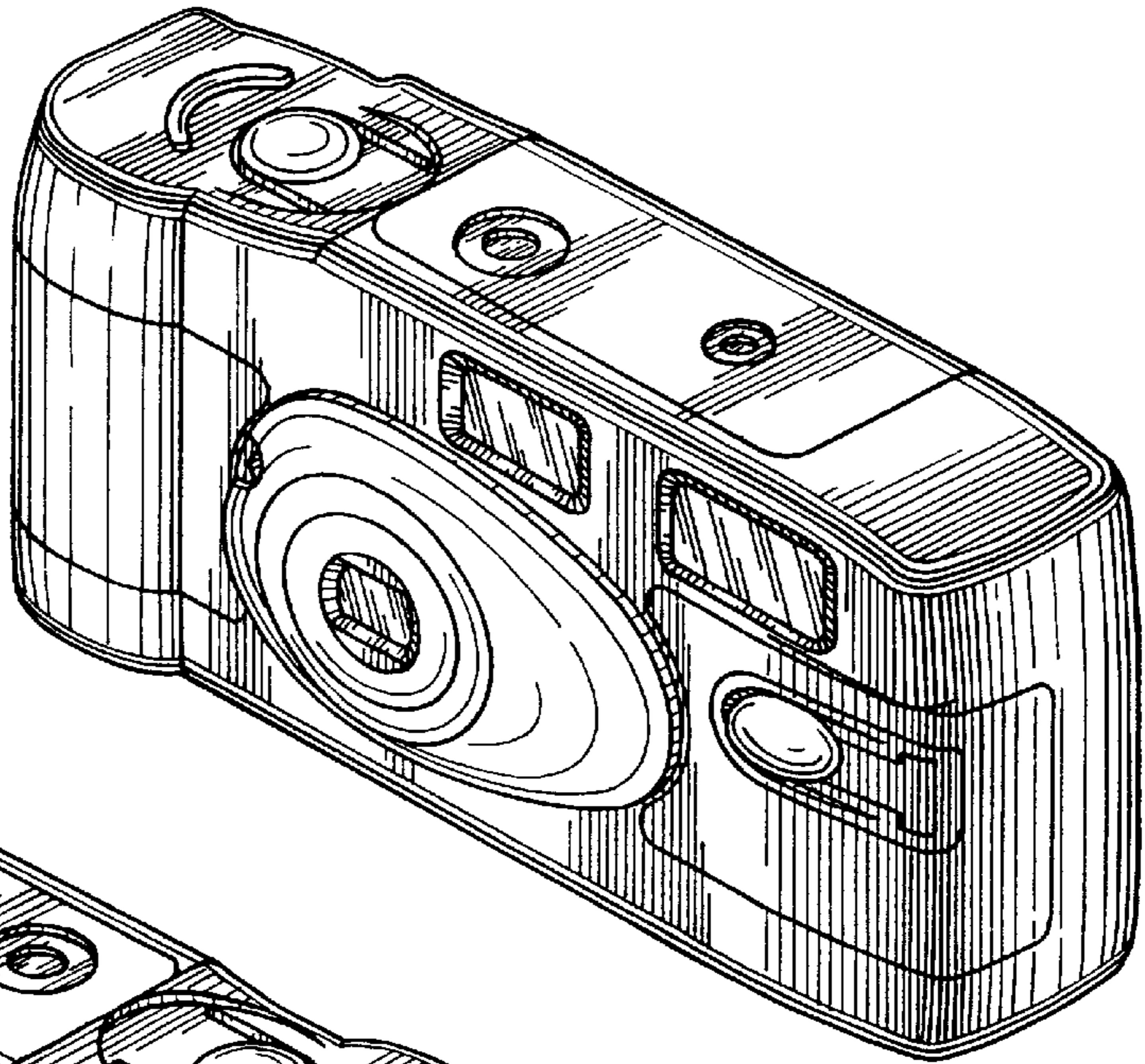


Fig. 7

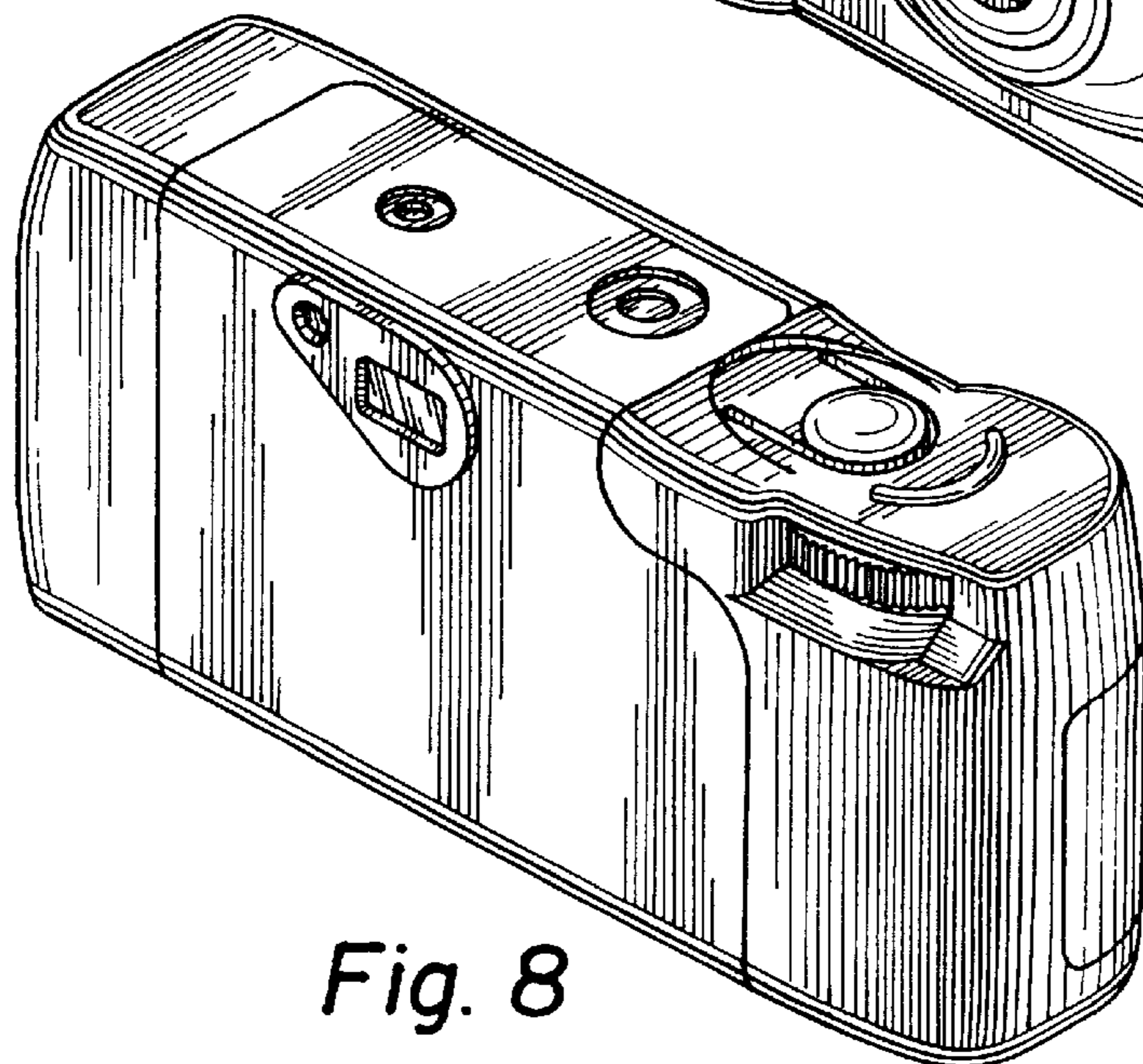


Fig. 8