



US00D415511S

United States Patent [19]

Funakoshi et al.

[11] Patent Number: Des. 415,511

[45] Date of Patent: ** Oct. 19, 1999

[54] LENS SHUTTER CAMERA

4,556,304 12/1985 Fukuda 396/448

[75] Inventors: Yasuo Funakoshi; Tatsuya Suzuki,
both of Tokyo, Japan

Primary Examiner—Adir Aronovich
Attorney, Agent, or Firm—Loeb & Loeb LLP

[73] Assignee: Olympus Optical Co., Ltd., Tokyo,
Japan

[57] CLAIM

[**] Term: 14 Years

The ornamental design for a lens shutter camera, shown and described.

[21] Appl. No.: 29/093,148

[22] Filed: Sep. 4, 1998

[51] LOC (6) Cl. 16-01

[52] U.S. Cl. D16/209

[58] Field of Search D16/200-204,
D16/208, 209, 216-218; 396/535-543

DESCRIPTION

[56] References Cited

U.S. PATENT DOCUMENTS

D. 384,684	10/1997	Hamamura	D16/209
D. 389,849	1/1998	Kim	D16/209
D. 394,446	5/1998	Nagaoka	D16/212
D. 397,129	8/1998	Eto et al.	D16/209

FIG. 1 is a front, top and right side perspective view of a lens shutter camera, showing our new design;
FIG. 2 is a top plan view thereof;
FIG. 3 is a front elevational view thereof;
FIG. 4 is a bottom plan view thereof;
FIG. 5 is a rear elevational view thereof;
FIG. 6 is a left side elevational view thereof;
FIG. 7 is a right side elevational view thereof;
FIG. 8 is a top plan view thereof with a cover in an opened state and a lens-barrel extended; and,
FIG. 9 is a front elevational view thereof with a cover in an opened state and an electronic flashing unit set in a raised state.

1 Claim, 4 Drawing Sheets

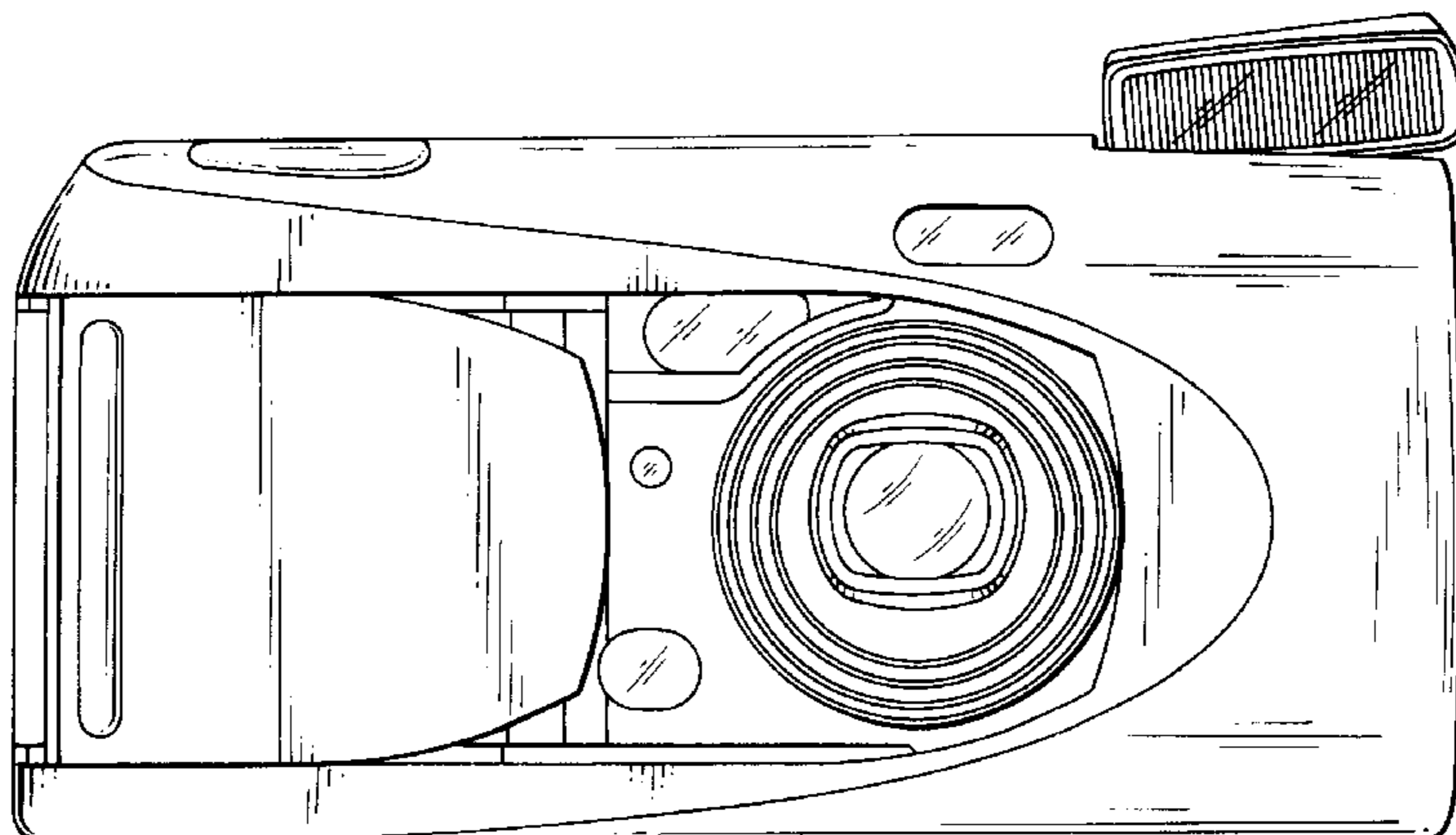
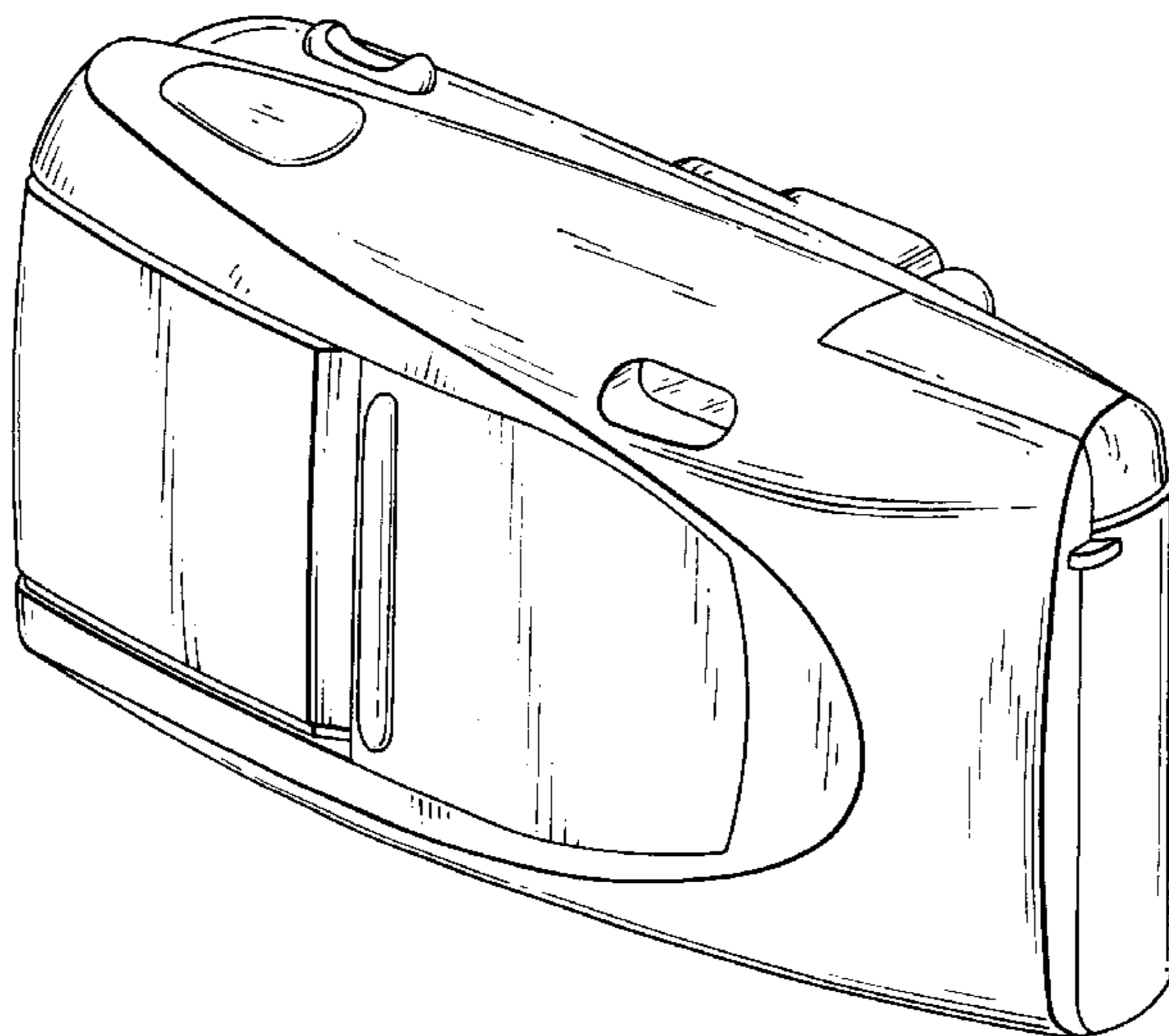


FIG. 1

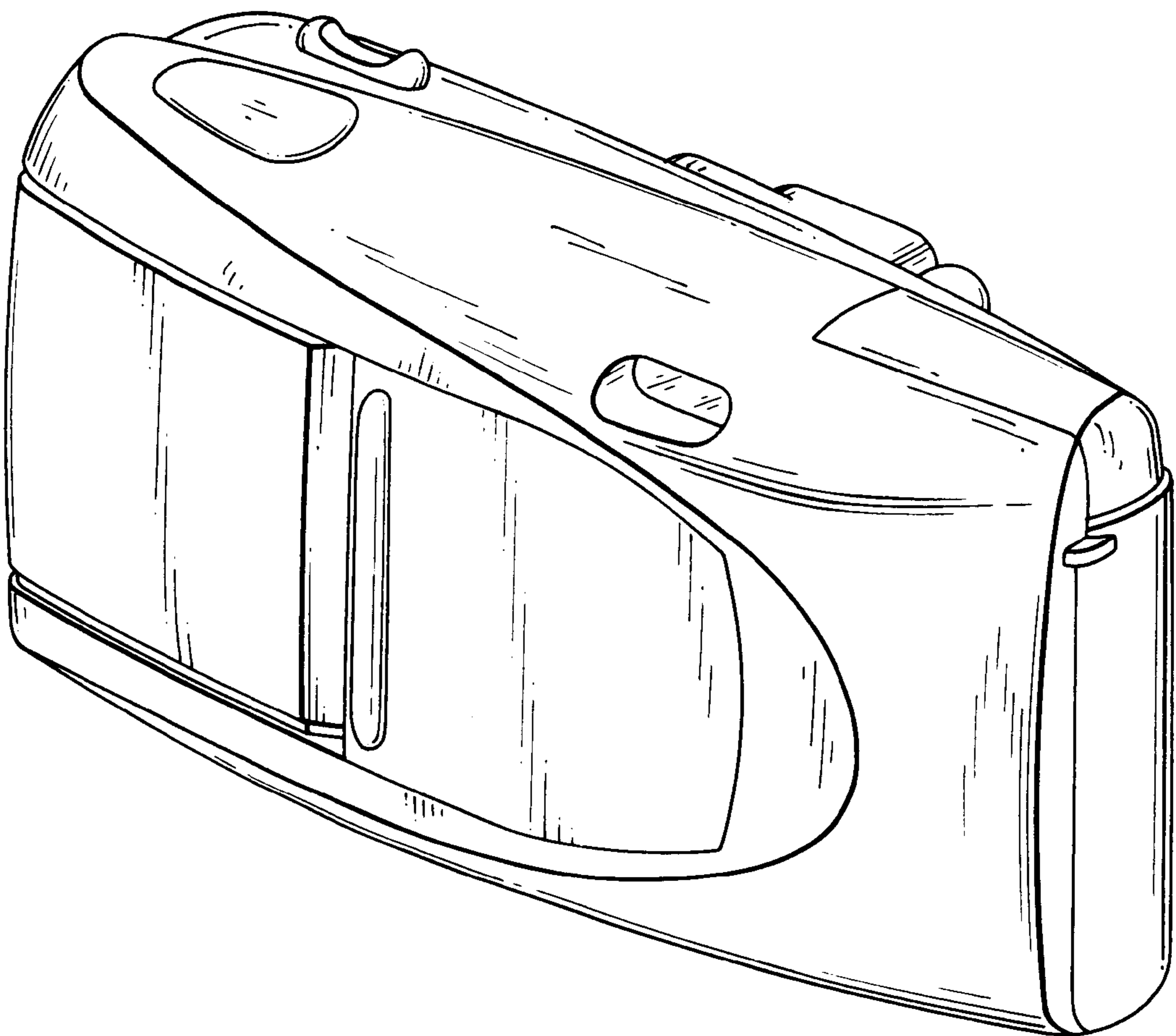


FIG. 2

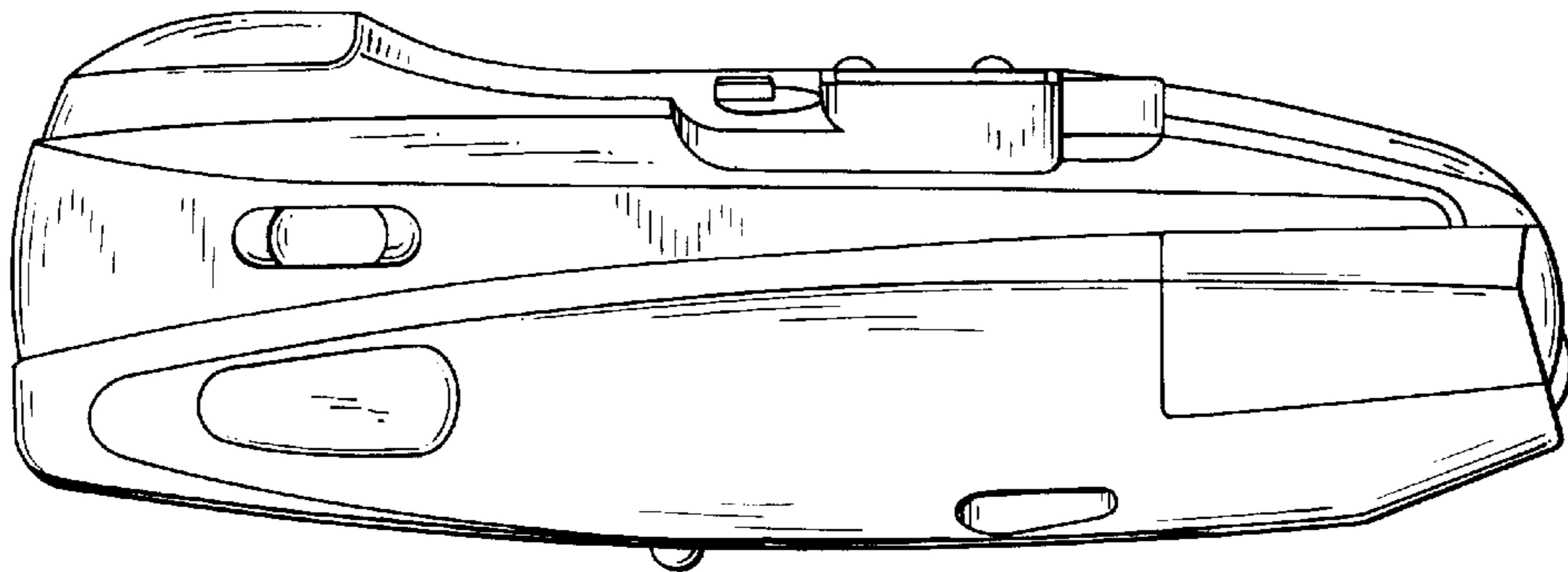


FIG. 3

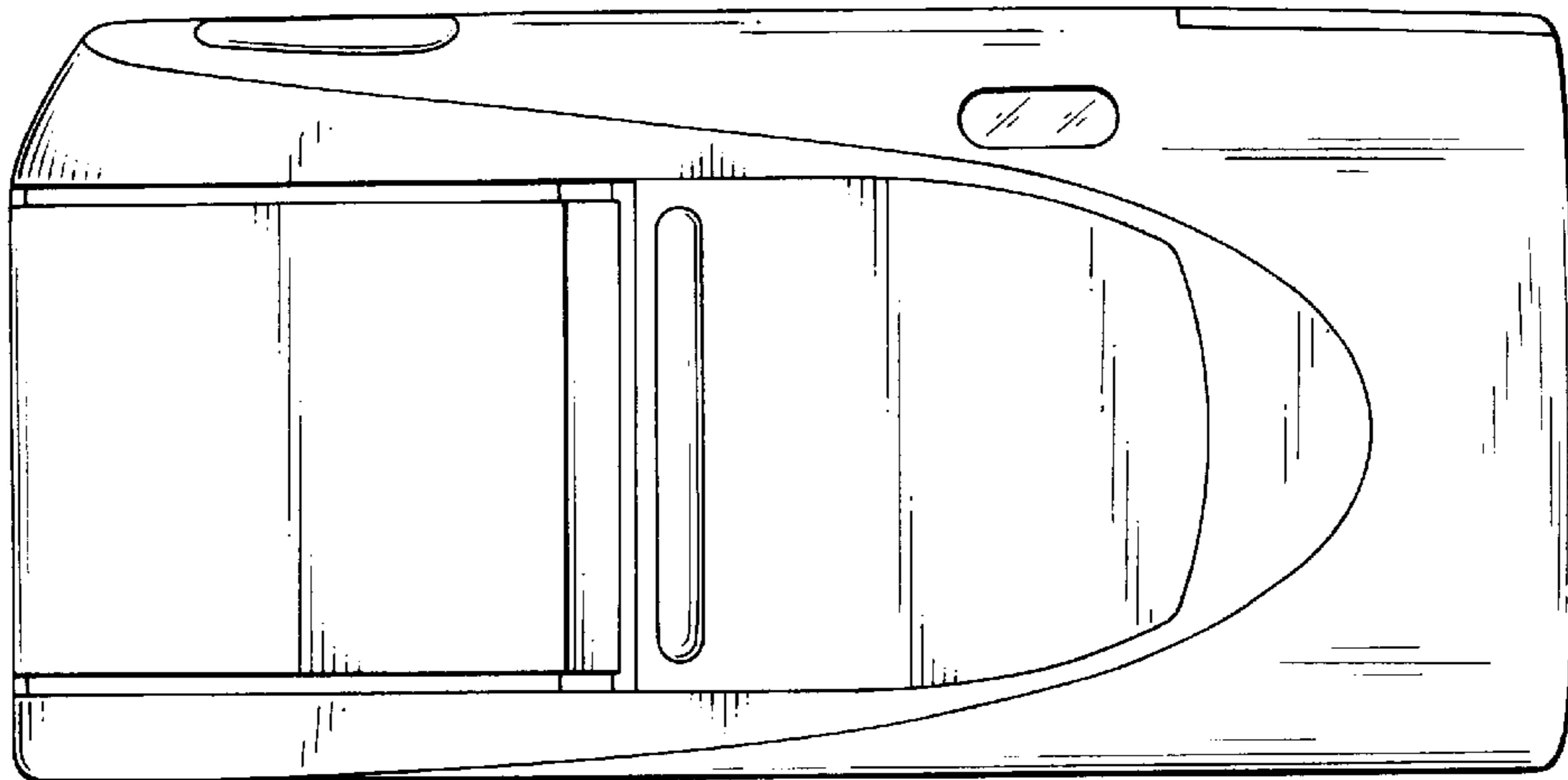


FIG. 4

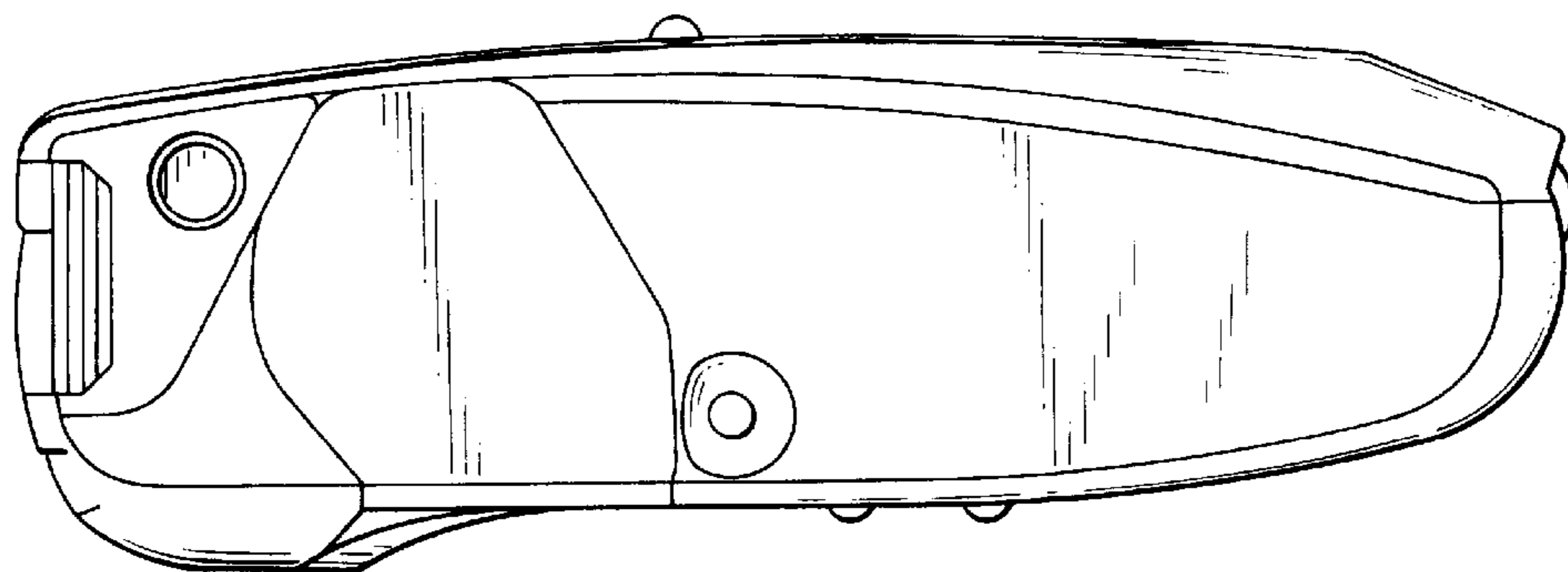


FIG. 5

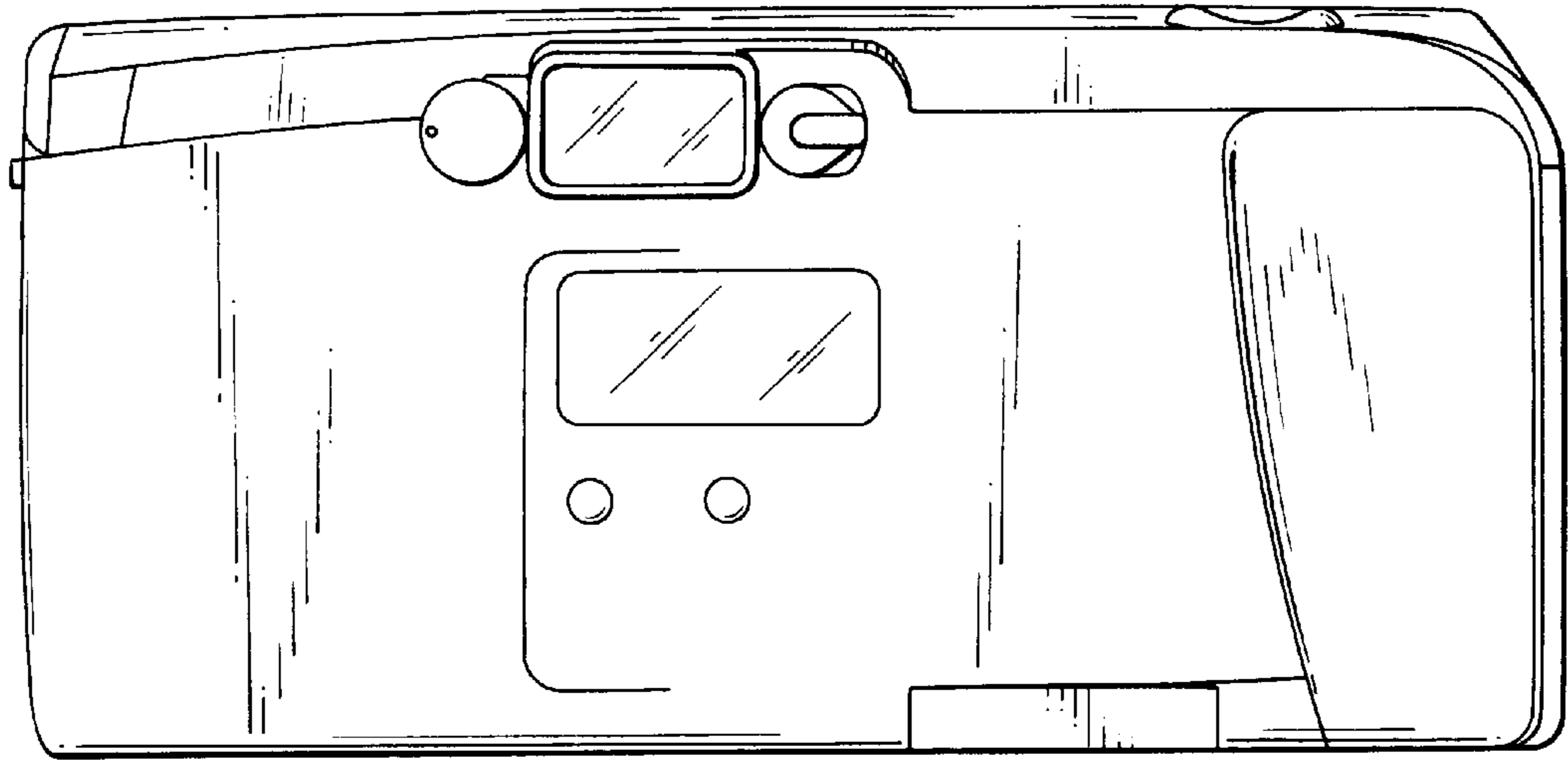


FIG. 6

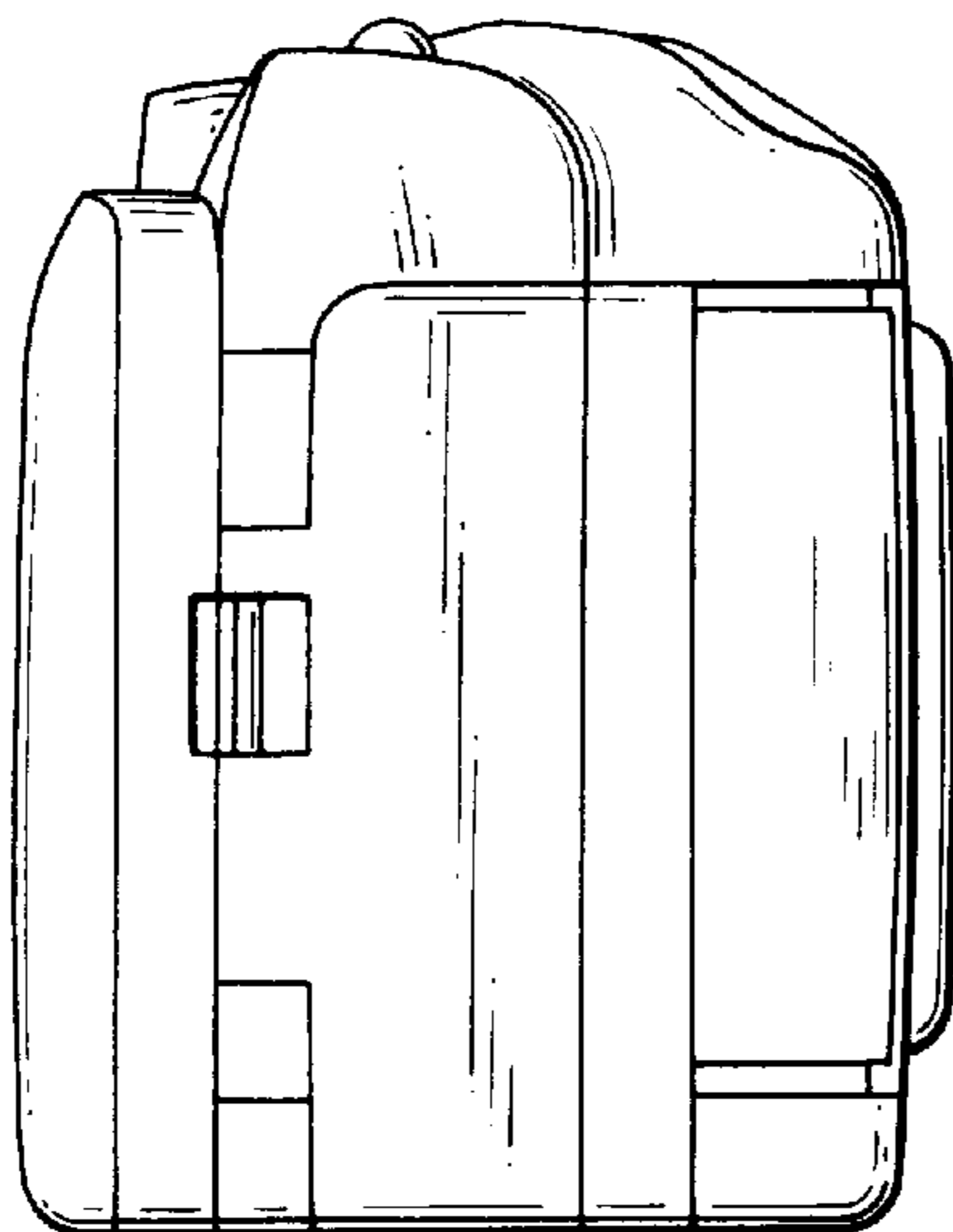


FIG. 7

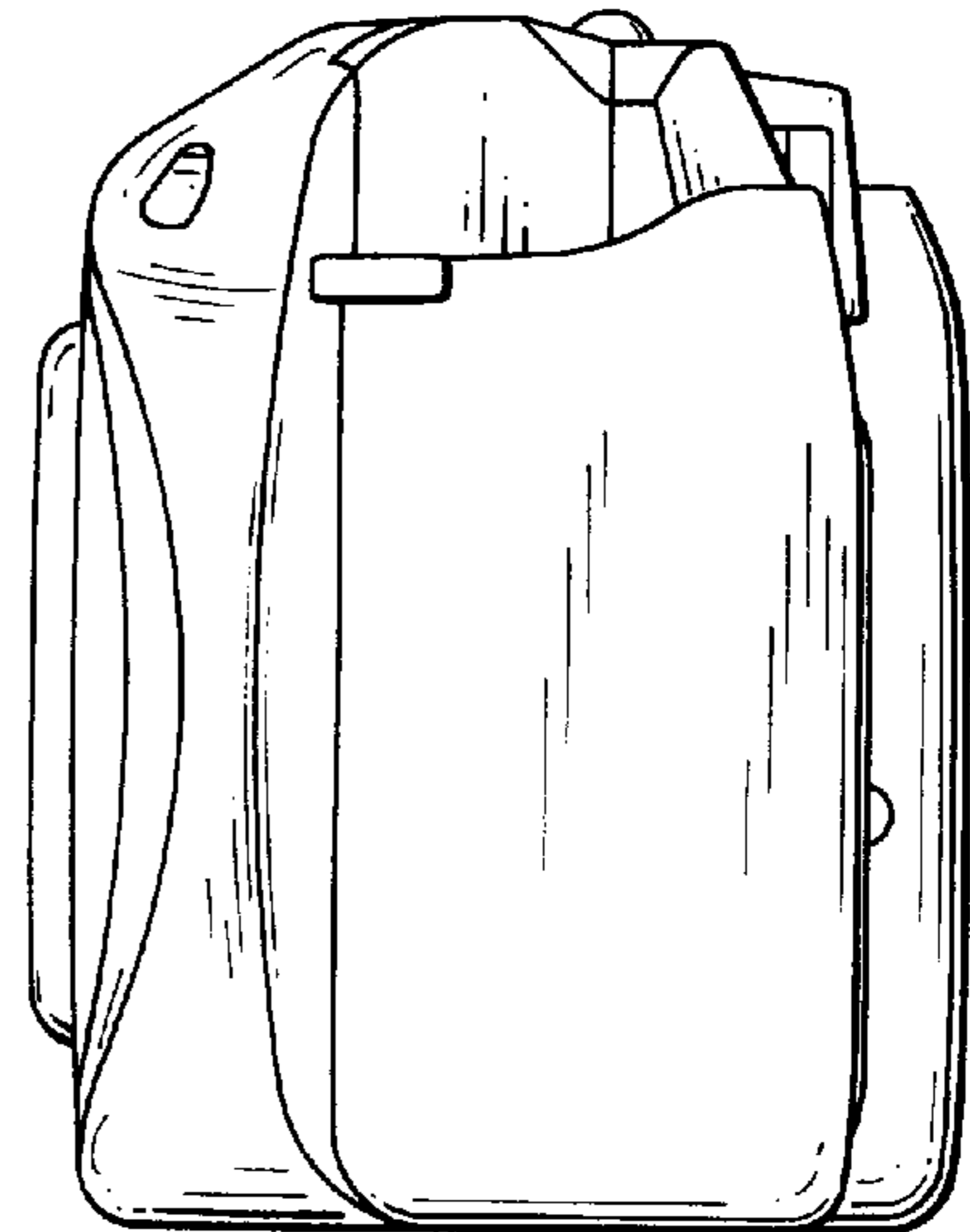


FIG. 8

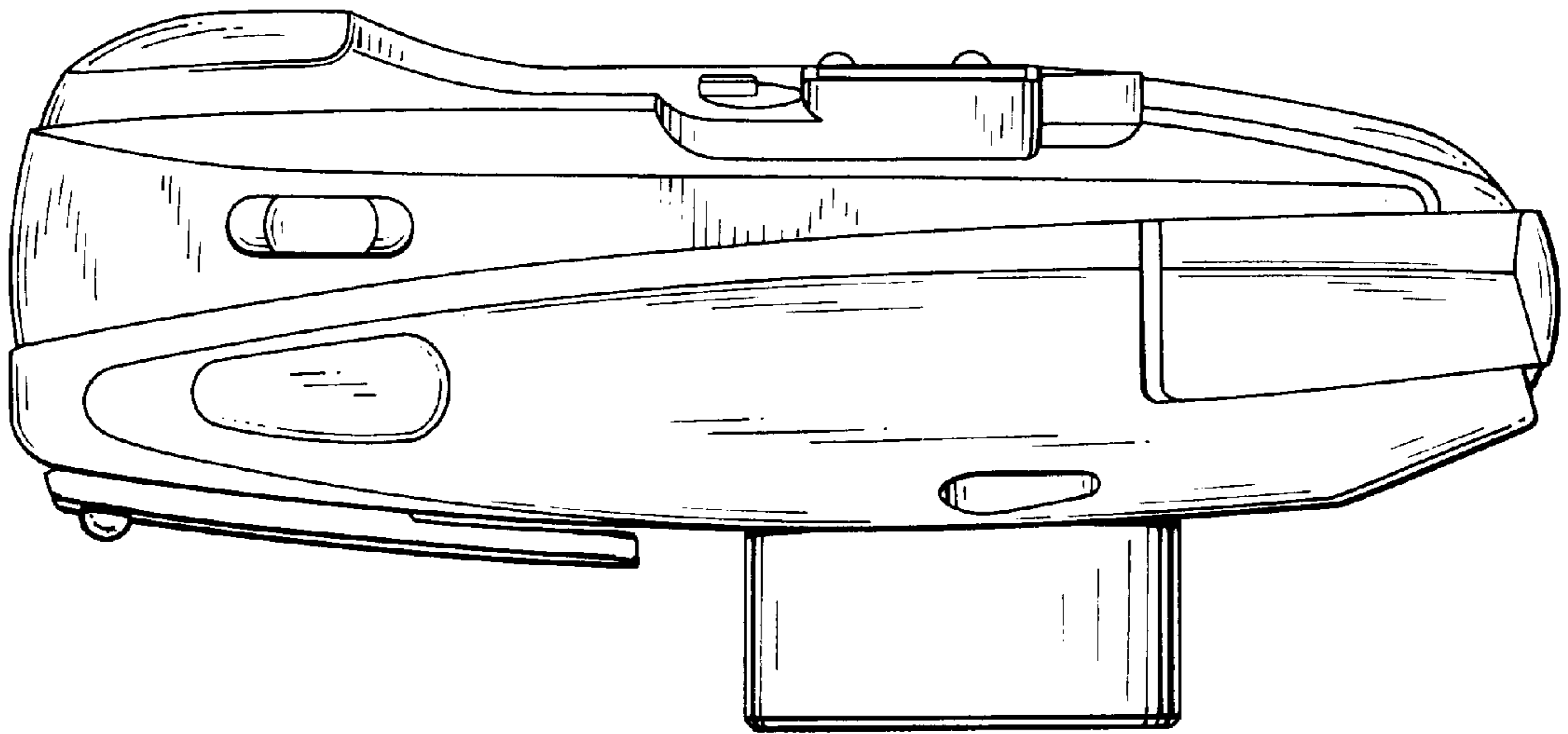


FIG. 9

