



US00D415510S

**United States Patent** [19]  
**Maeyama**

[11] **Patent Number: Des. 415,510**

[45] **Date of Patent: \*\* Oct. 19, 1999**

[54] **WATER PROOF CASE FOR VIDEO CAMERA**

D. 385,568 10/1997 Harata ..... D16/202  
D. 403,007 12/1998 Ishii ..... D16/204  
5,610,655 3/1997 Wakabayashi et al. .... 348/373

[75] Inventor: **Kouichi Maeyama**, Tokyo, Japan

[73] Assignee: **Sony Corporation**, Tokyo, Japan

[\*\*] Term: **14 Years**

*Primary Examiner*—Adir Aronovich  
*Attorney, Agent, or Firm*—Foley & Lardner

[21] Appl. No.: **29/092,442**

[22] Filed: **Aug. 19, 1998**

[57] **CLAIM**

The ornamental design for a water proof case for video camera, as shown and described.

[51] **LOC (6) Cl.** ..... **16-01**

[52] **U.S. Cl.** ..... **D16/204; D3/267**

[58] **Field of Search** ..... D16/200–206,  
D16/208; D3/267, 268; 206/316.1, 316.2;  
348/373–376; 358/906; 396/25–29

**DESCRIPTION**

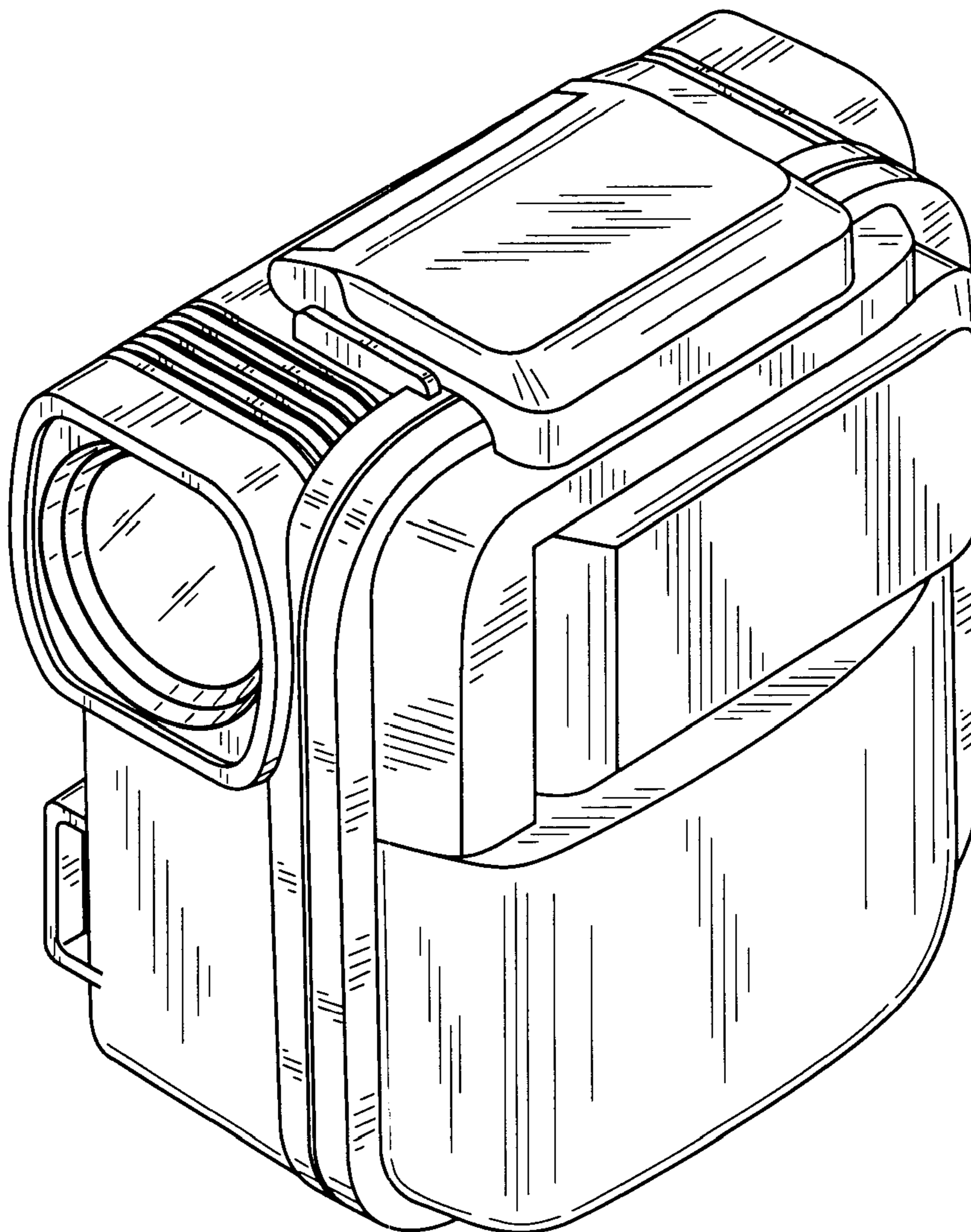
FIG. 1 is a top, front perspective view of a water proof case for a video camera showing my new design;  
FIG. 2 is a top plan view thereof;  
FIG. 3 is a left side elevational view thereof;  
FIG. 4 is a front elevational view thereof;  
FIG. 5 is a right side elevational view thereof; and,  
FIG. 6 is a rear elevational view thereof.

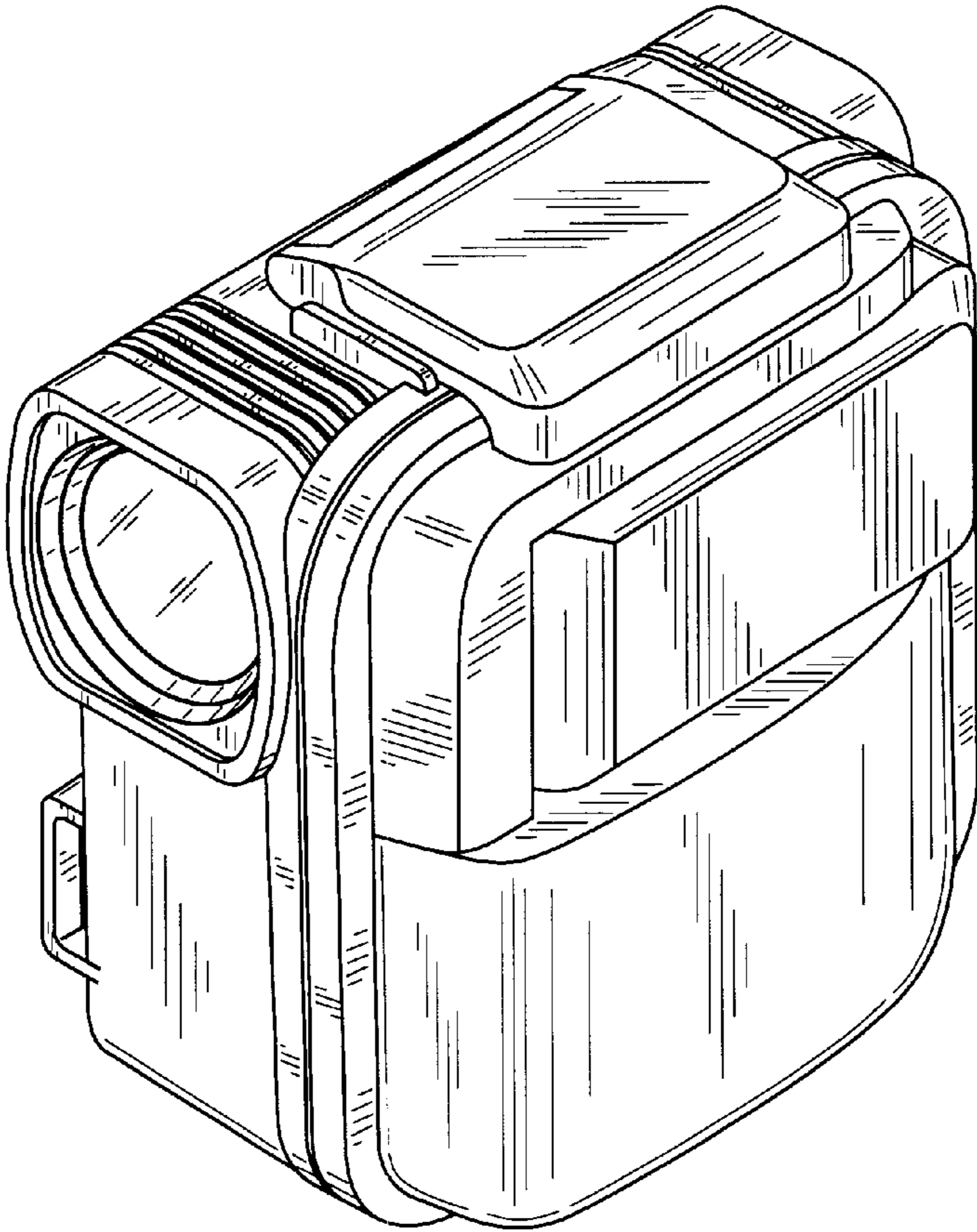
[56] **References Cited**

**U.S. PATENT DOCUMENTS**

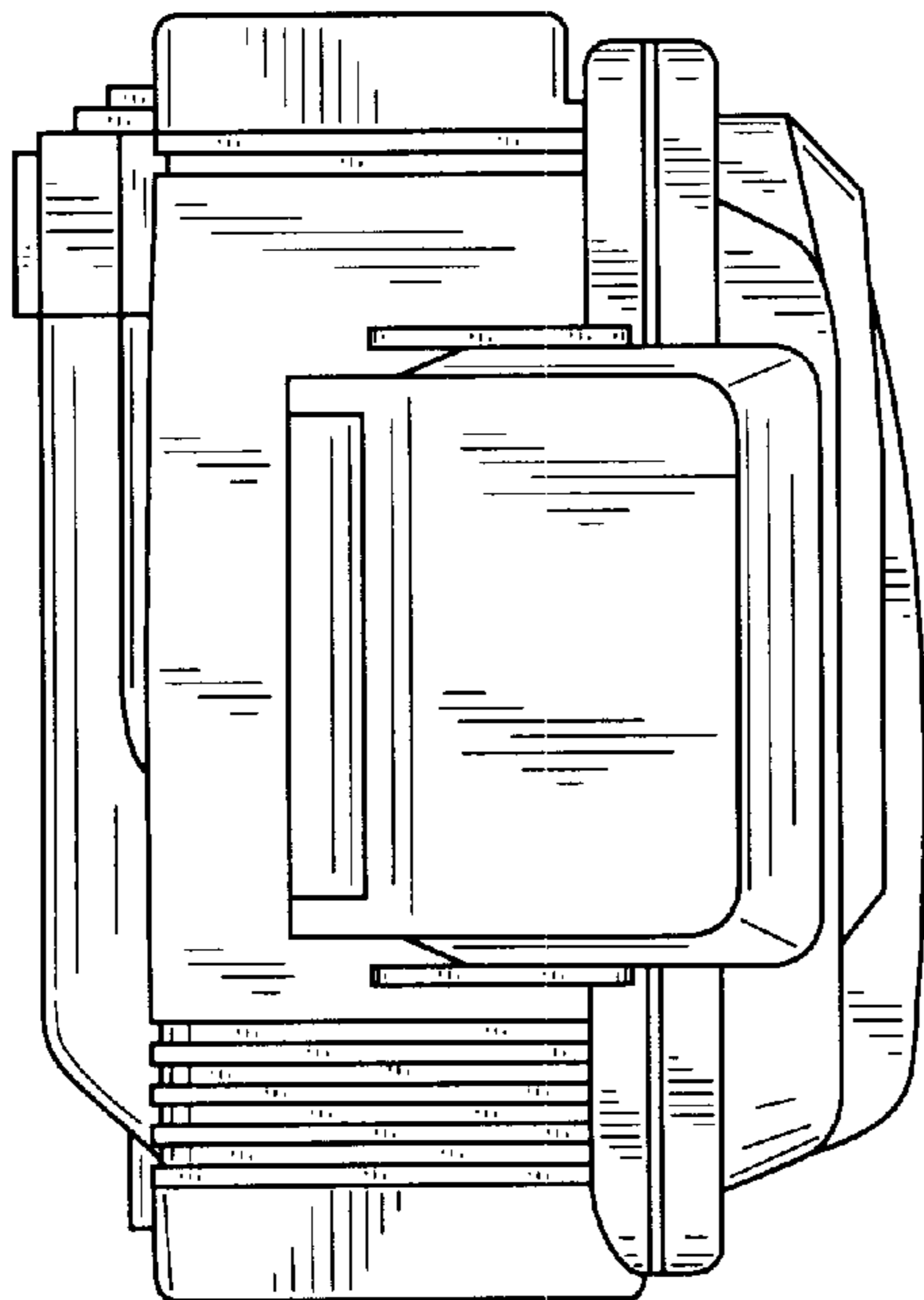
D. 340,802 11/1993 Sekine ..... D3/267  
D. 356,327 3/1995 Mouri ..... D16/204

**1 Claim, 3 Drawing Sheets**

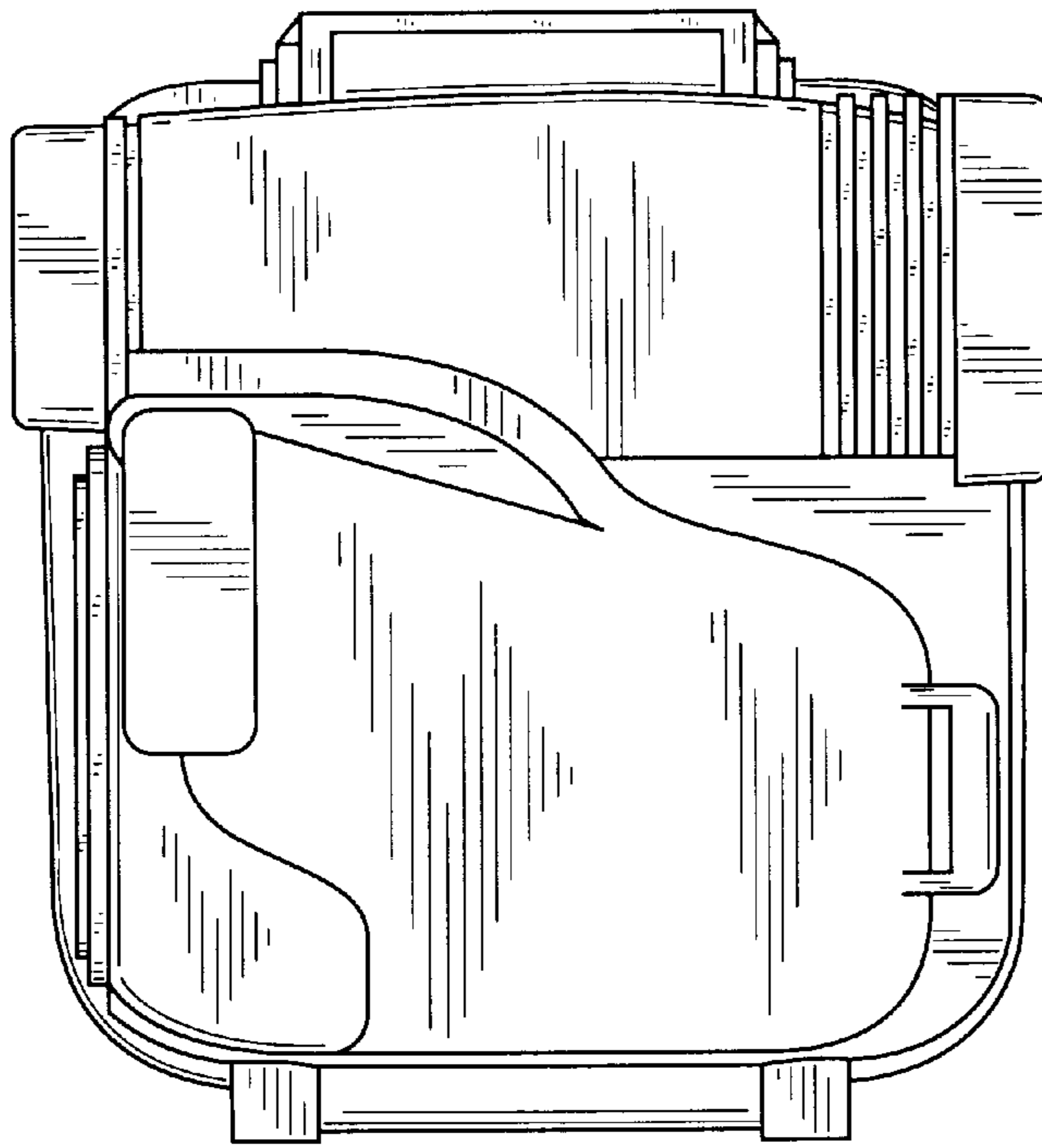




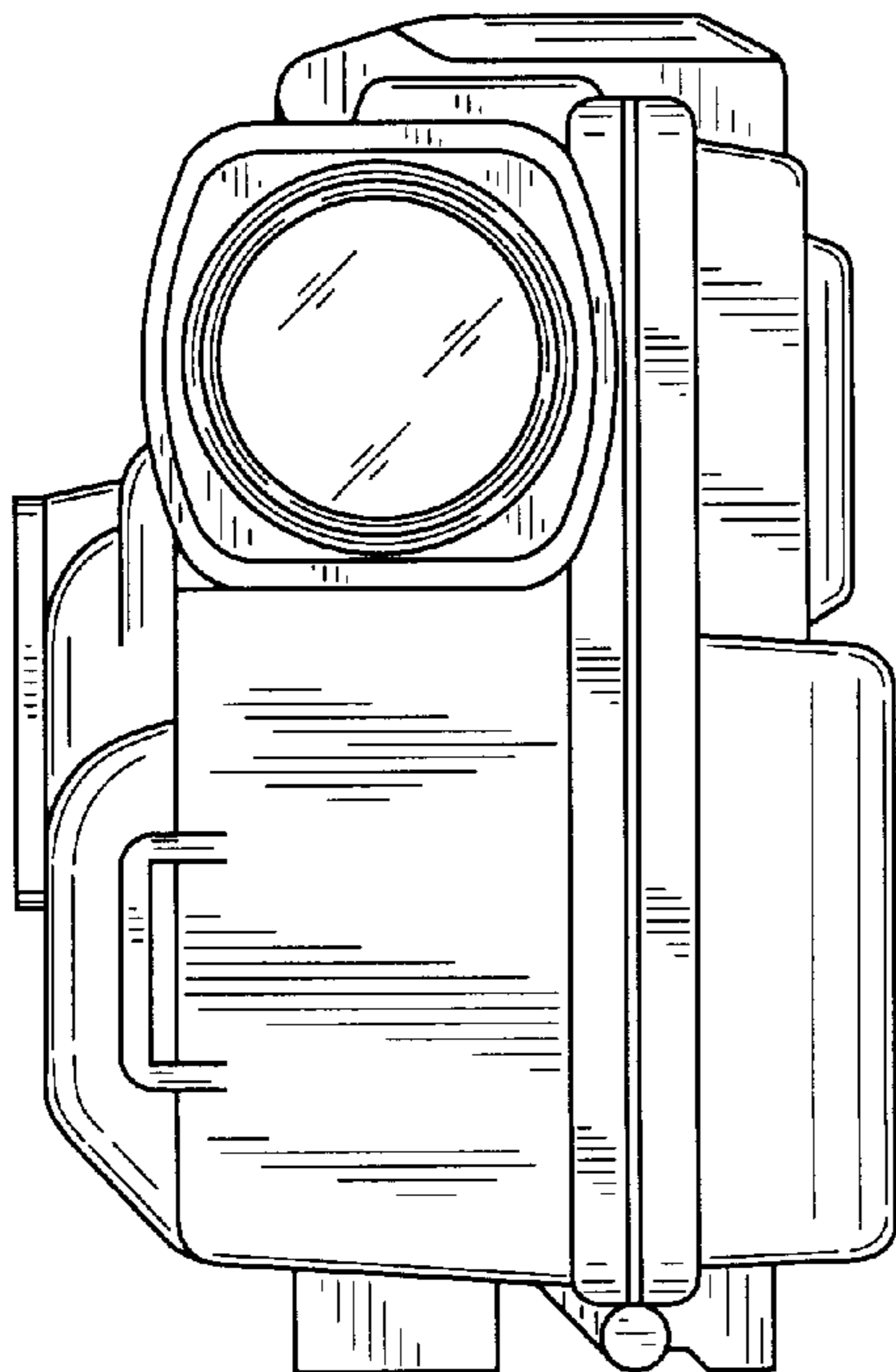
**FIG. 1**



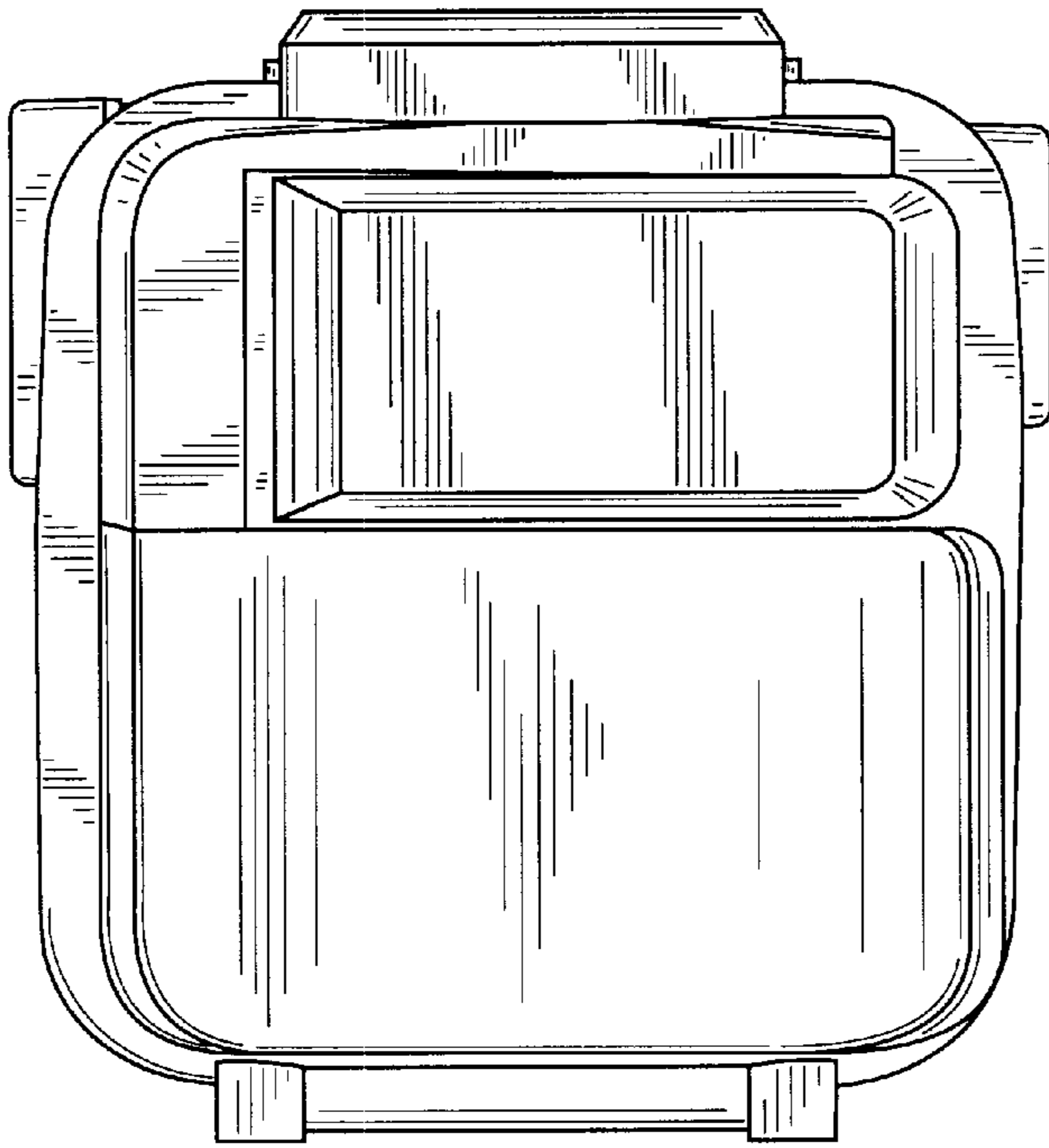
**FIG. 2**



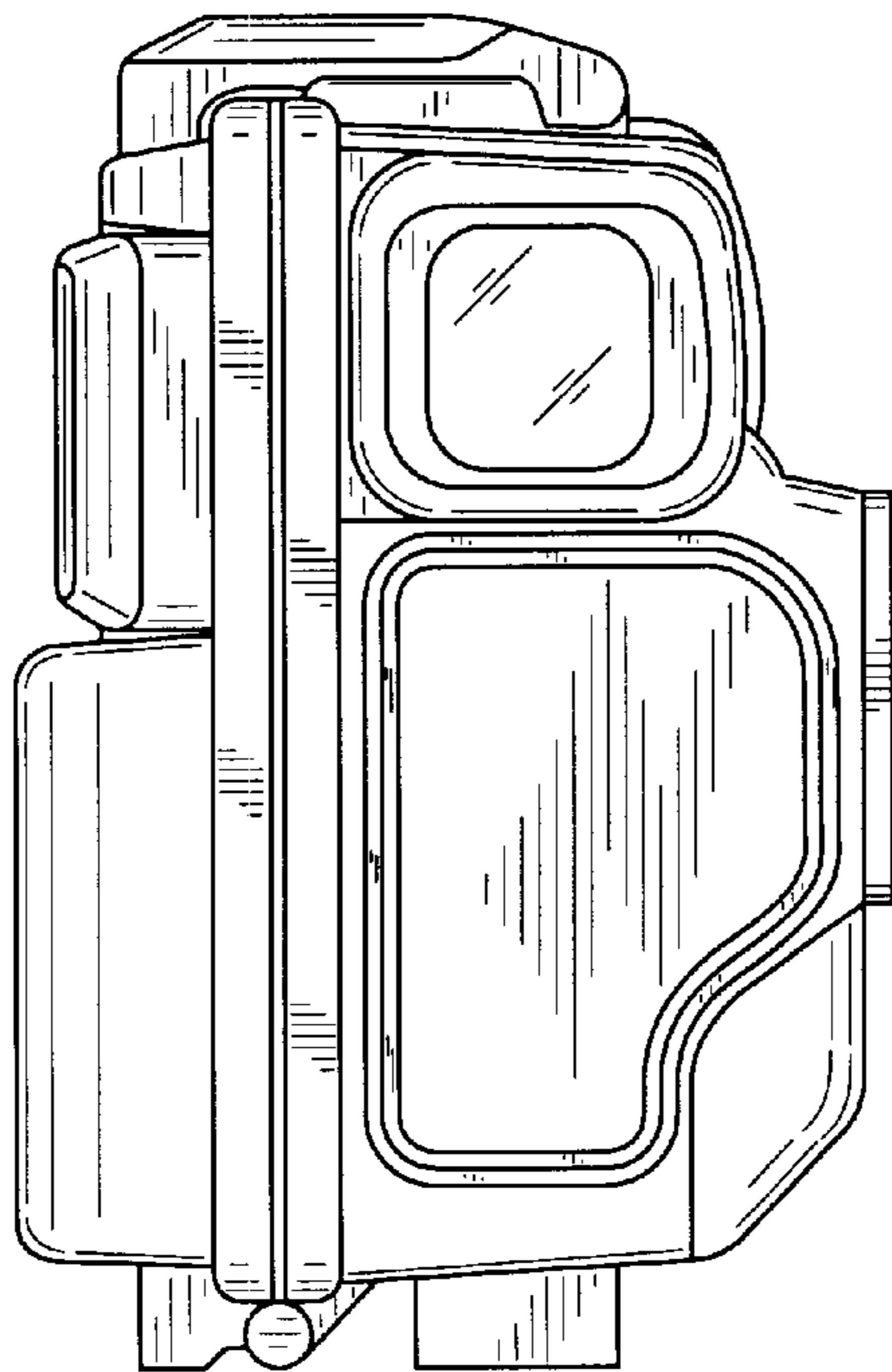
**FIG. 3**



**FIG. 4**



**FIG. 5**



**FIG. 6**