



US00D415508S

United States Patent [19] Shinano

[11] **Patent Number: Des. 415,508**

[45] **Date of Patent: ** Oct. 19, 1999**

[54] **ELECTRONIC CAMERA**

[75] Inventor: **Toru Shinano**, Yokohama, Japan

[73] Assignee: **Canon Kabushiki Kaisha**, Tokyo, Japan

[**] Term: **14 Years**

[21] Appl. No.: **29/100,400**

[22] Filed: **Feb. 10, 1999**

[30] **Foreign Application Priority Data**

Aug. 18, 1998 [JP] Japan 10-23548

[51] **LOC (6) Cl.** **16-01**

[52] **U.S. Cl.** **D16/202; D16/209; D16/218**

[58] **Field of Search** D16/200-205,
D16/208, 209, 216-218; 348/373-376;
358/906, 909.1; 396/106, 535-543

[56] **References Cited**

U.S. PATENT DOCUMENTS

D. 371,375 7/1996 Hayashi D16/209

D. 385,569 10/1997 Takimura D16/202
D. 392,659 3/1998 Takano D16/202
D. 404,411 1/1999 Swayze et al. D16/202
5,519,466 5/1996 Arai 396/106

Primary Examiner—Adir Aronovich
Attorney, Agent, or Firm—Fitzpatrick, Cella, Harper & Scinto

[57] **CLAIM**

The ornamental design for an electronic camera, as shown and described.

DESCRIPTION

FIG. 1 is a front view of an electronic camera showing my new design;
FIG. 2 is a rear view thereof;
FIG. 3 is a top plan view thereof;
FIG. 4 is a bottom plan view thereof;
FIG. 5 is a left side view thereof;
FIG. 6 is a right side view thereof; and,
FIG. 7 is a perspective view thereof.

1 Claim, 4 Drawing Sheets

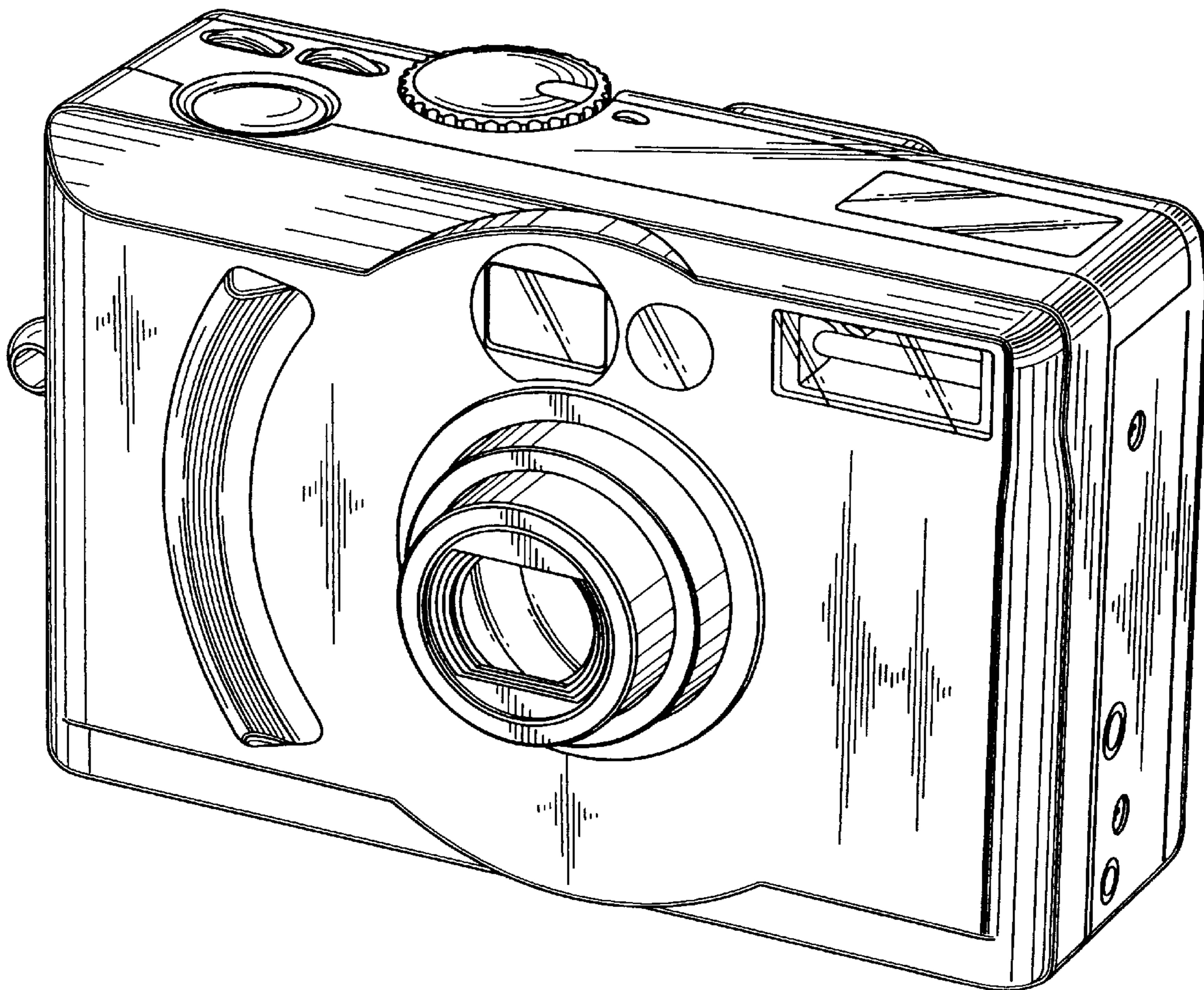


FIG. 1

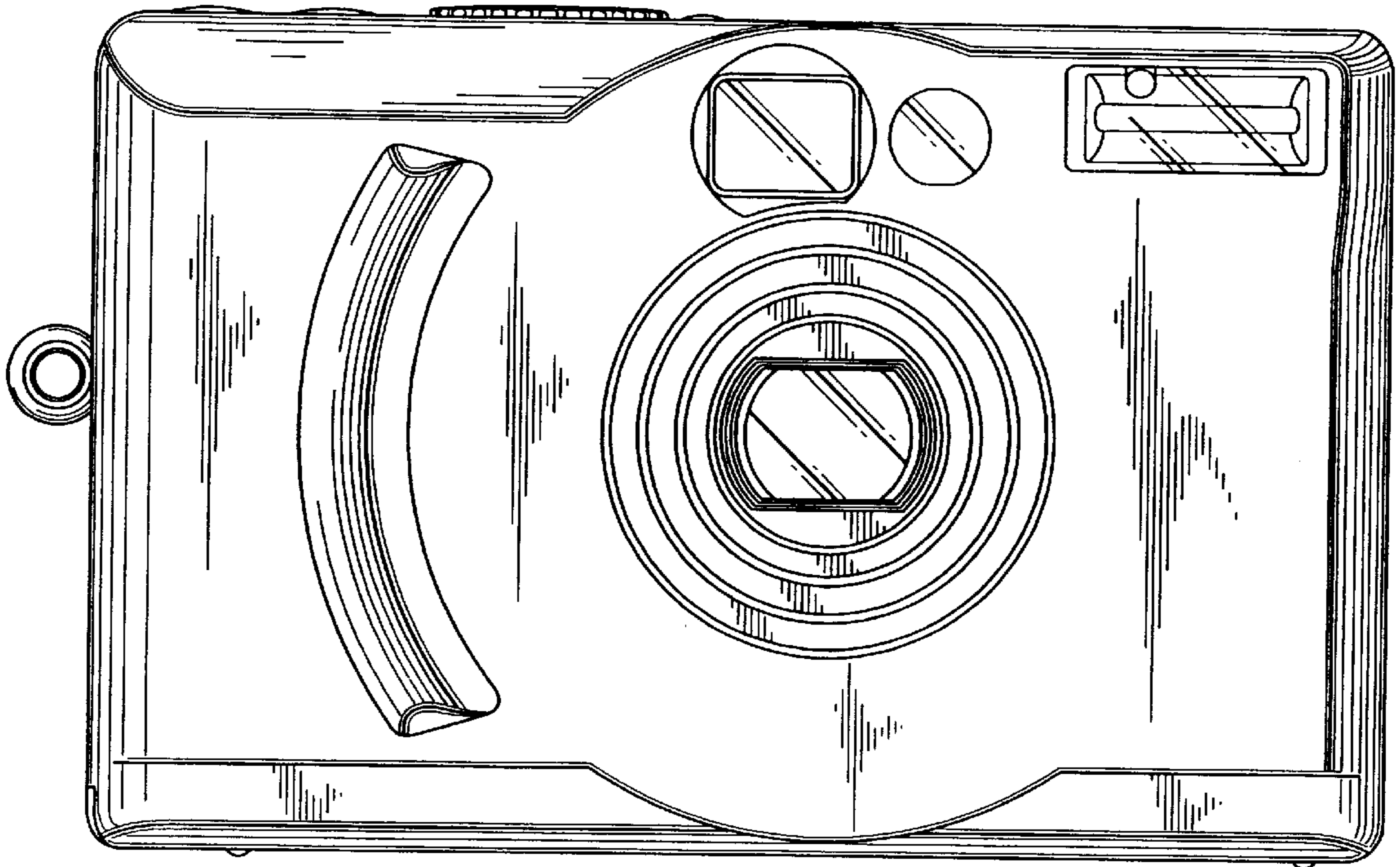


FIG. 2

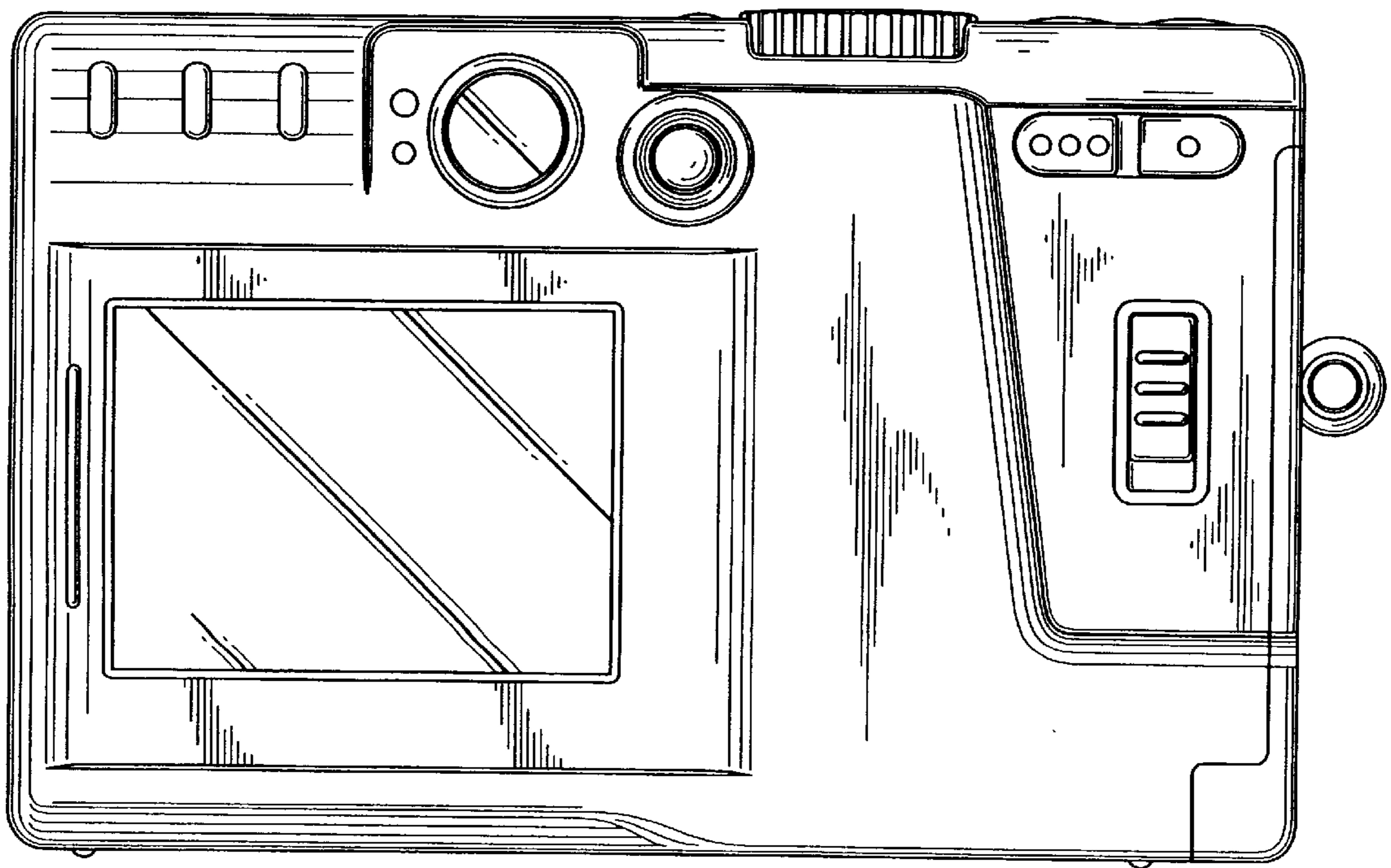


FIG. 3

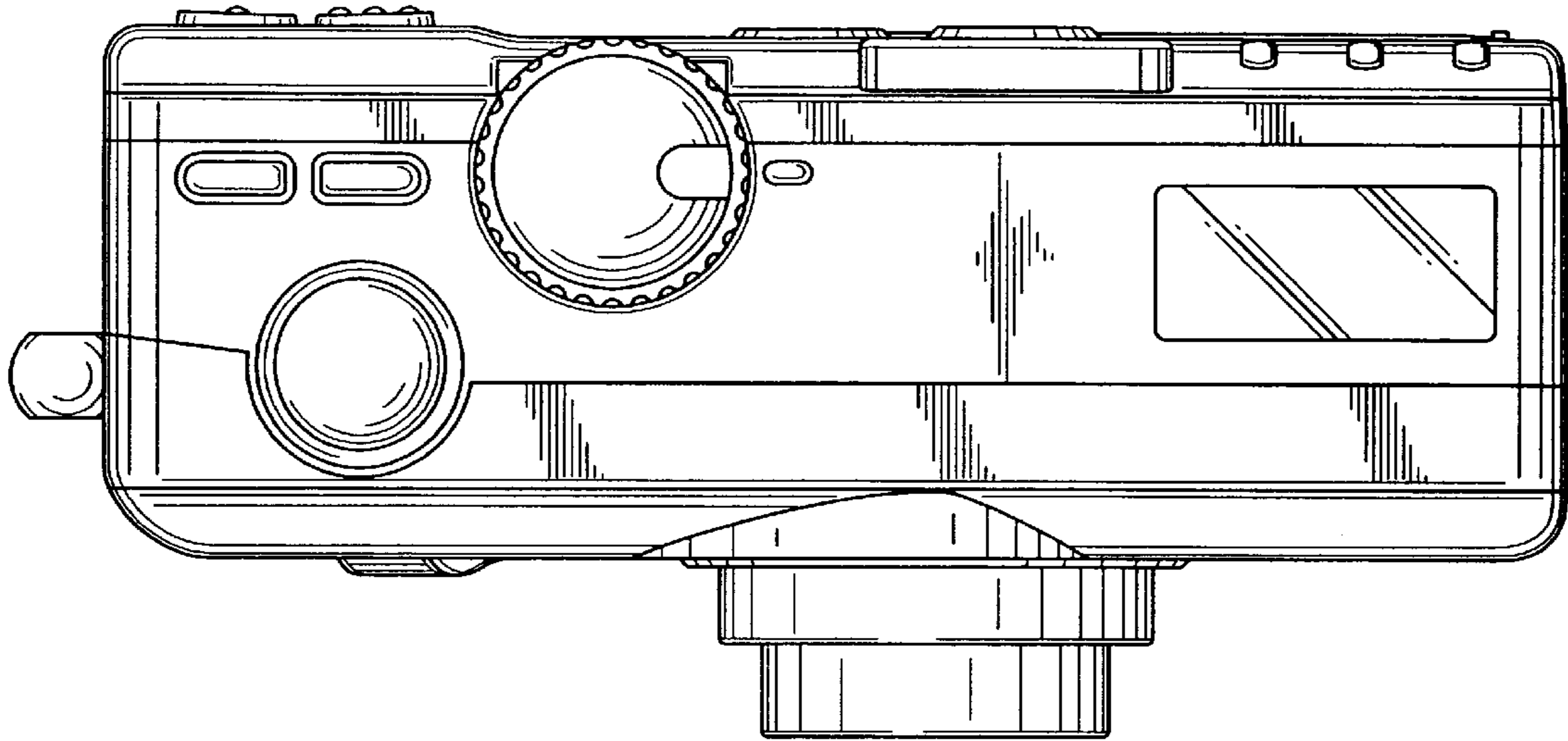


FIG. 4

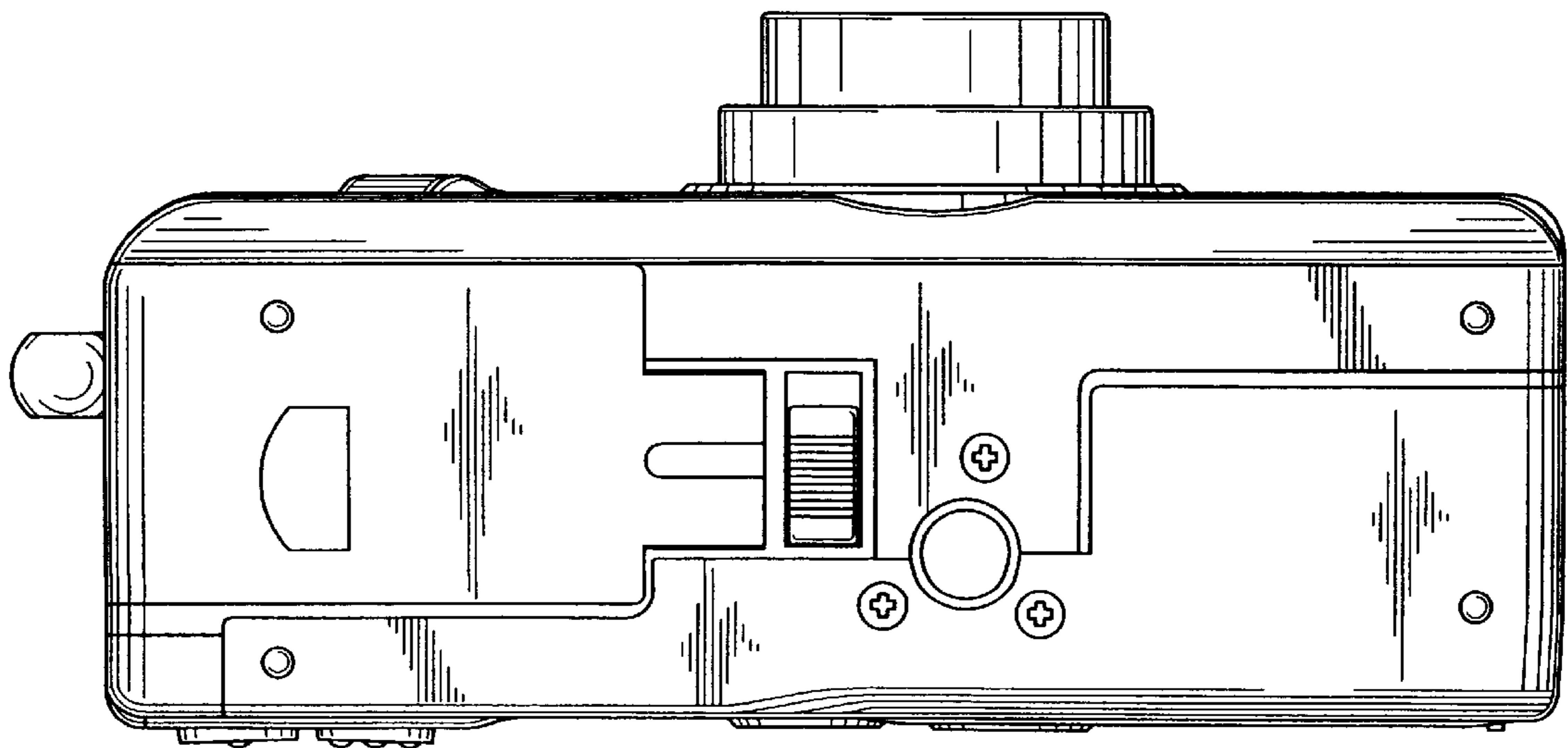


FIG. 5

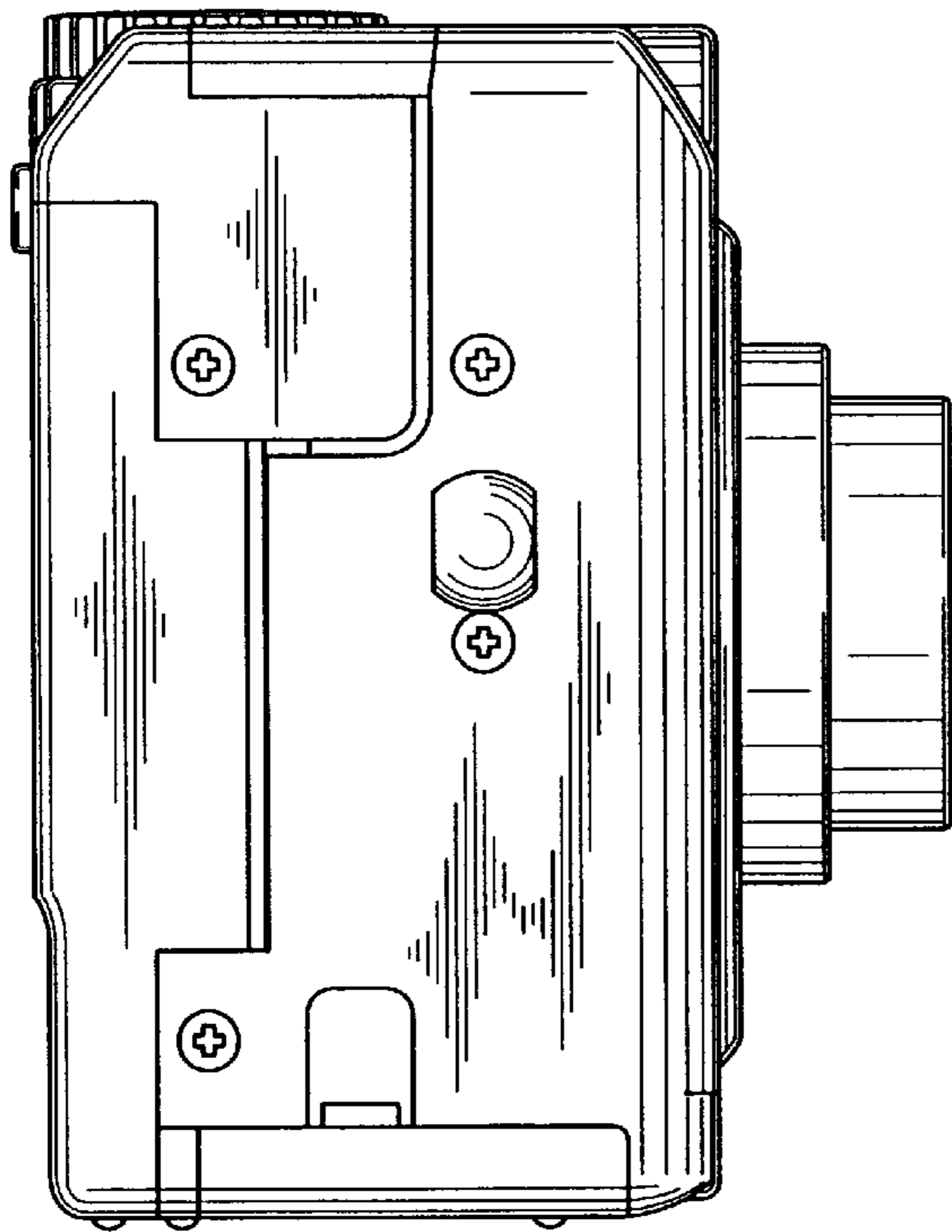


FIG. 6

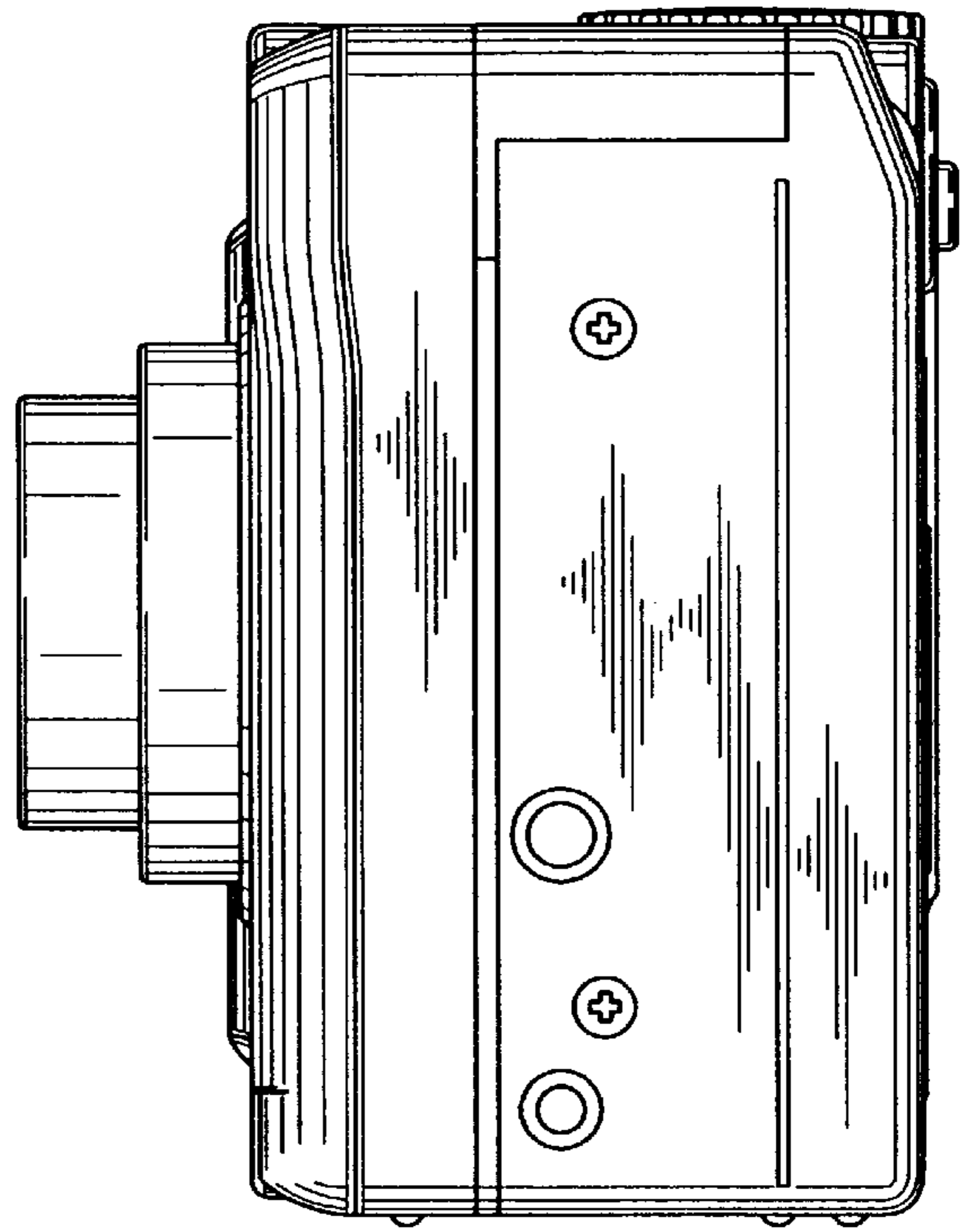


FIG. 7

