



US00D415506S

# United States Patent [19] Cheng

[11] Patent Number: **Des. 415,506**

[45] Date of Patent: **\*\* Oct. 19, 1999**

[54] **LATHE**

D. 367,066 2/1996 Chen ..... D15/130  
D. 401,247 11/1998 Wang ..... D15/130

[76] Inventor: **Ching Fa Cheng**, P.O. Box 63-99,  
Taichung, Taiwan

*Primary Examiner*—Antoine Duval Davis

[\*\*] Term: **14 Years**

[57] **CLAIM**

[21] Appl. No.: **29/093,557**

The ornamental design for a lathe, as shown and described.

[22] Filed: **Sep. 14, 1998**

### DESCRIPTION

[51] **LOC (6) Cl.** ..... **15-09**

FIG. 1 is a perspective view of a lathe showing my new design;

[52] **U.S. Cl.** ..... **D15/130**

FIG. 2 is a front elevational view thereof;

[58] **Field of Search** ..... D15/130; 82/112-121,  
82/128, 132, 142, 143, 149, 162, 903; 144/16,  
114; 142/7

FIG. 3 is a rear elevational view thereof;

FIG. 4 is a top plan view thereof;

FIG. 5 is a bottom plan view thereof;

FIG. 6 is a left side elevational view thereof; and,

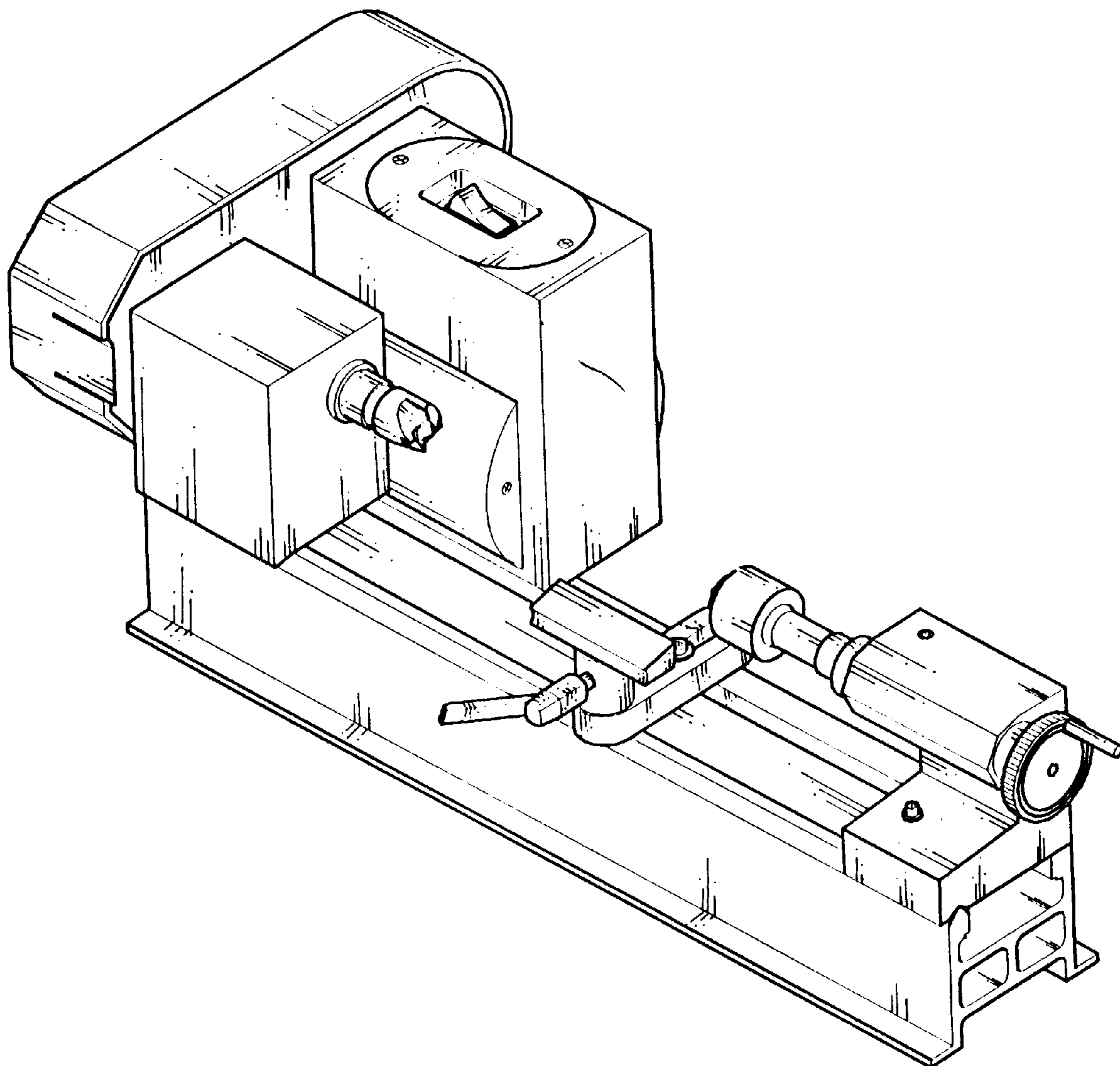
FIG. 7 is a right side elevational view thereof.

[56] **References Cited**

#### U.S. PATENT DOCUMENTS

D. 338,475 8/1993 Wilson et al. .... D15/130

**1 Claim, 6 Drawing Sheets**



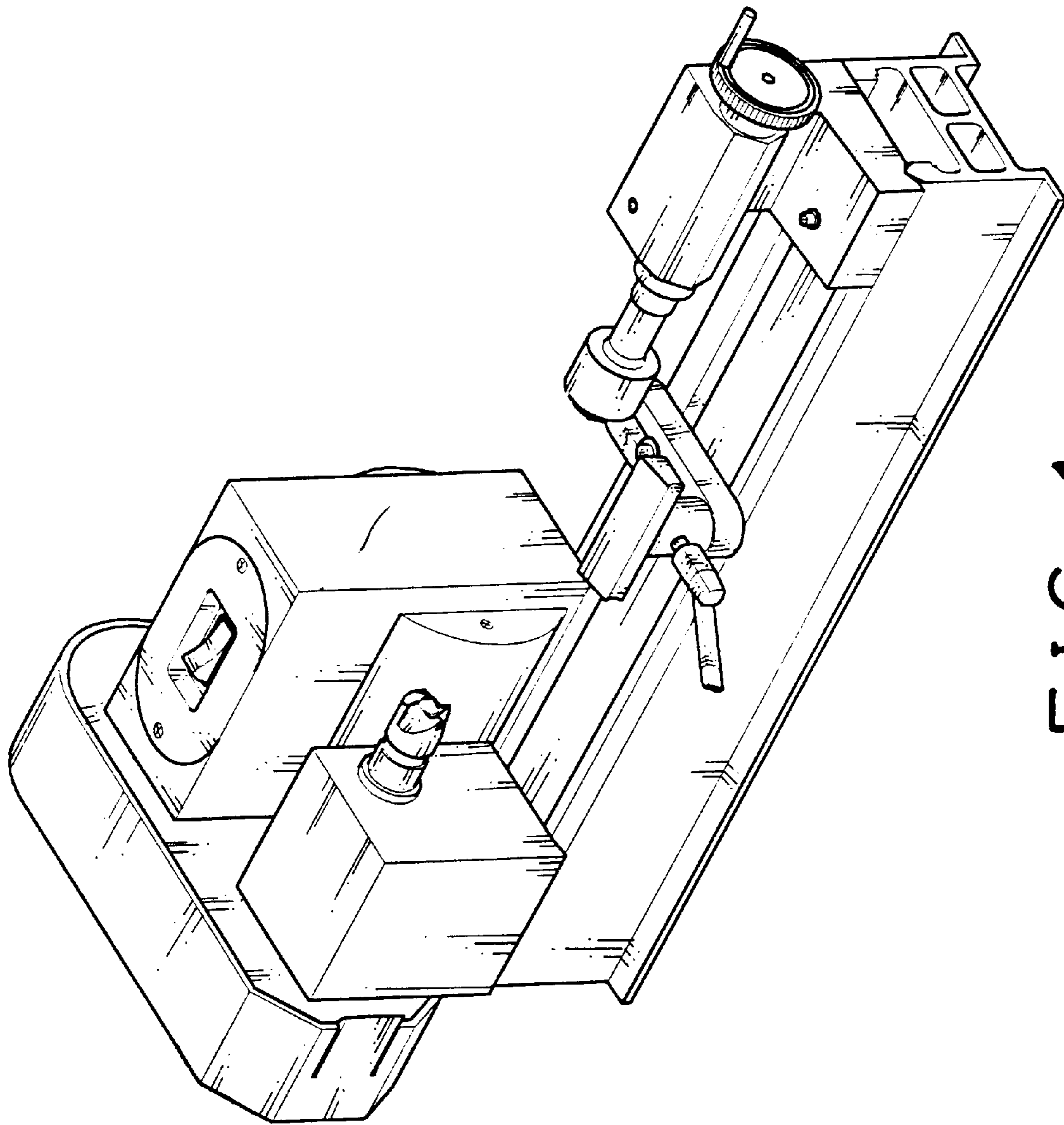


FIG. 1

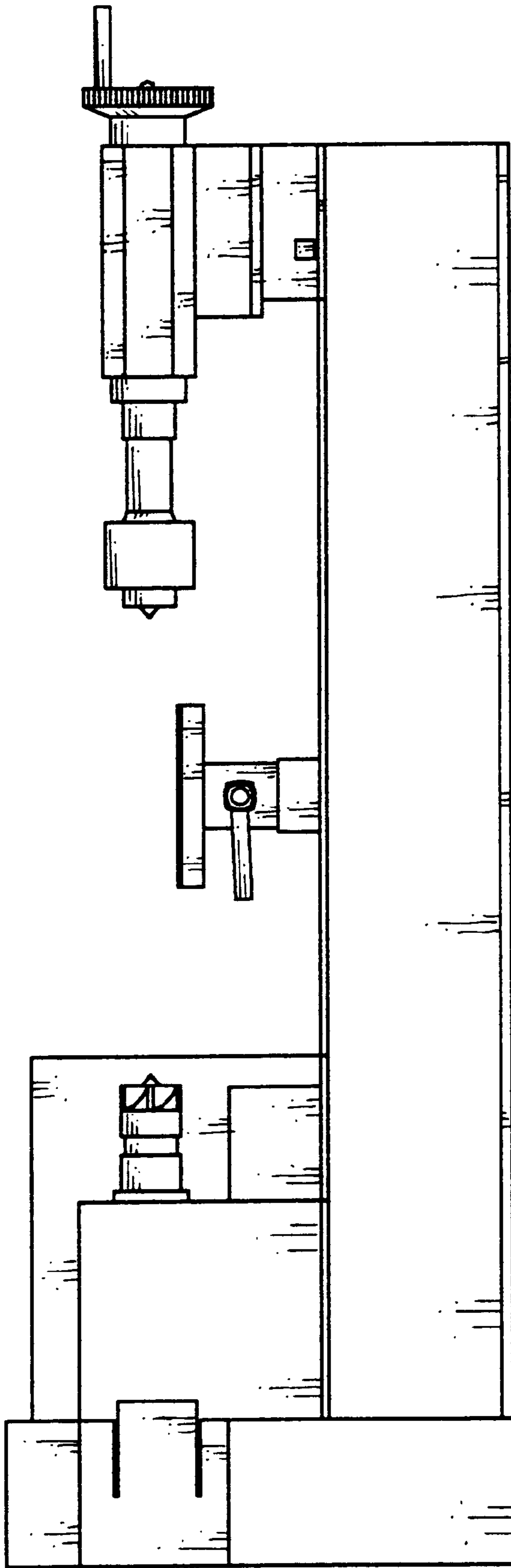


FIG. 2

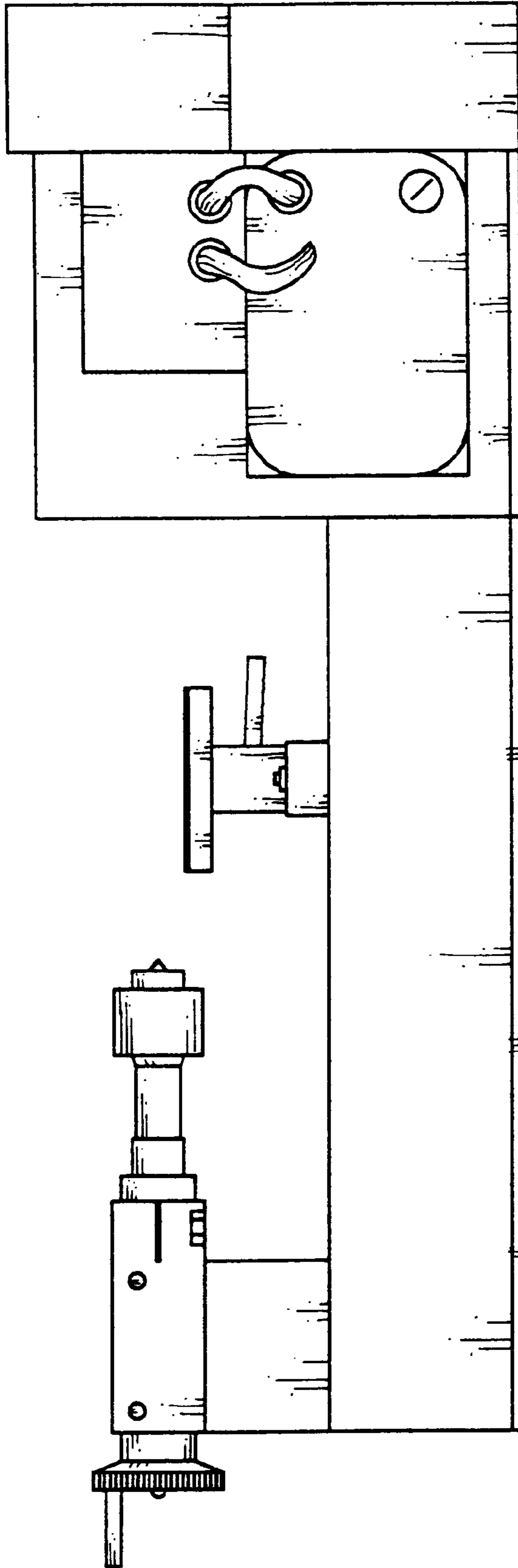


FIG. 3

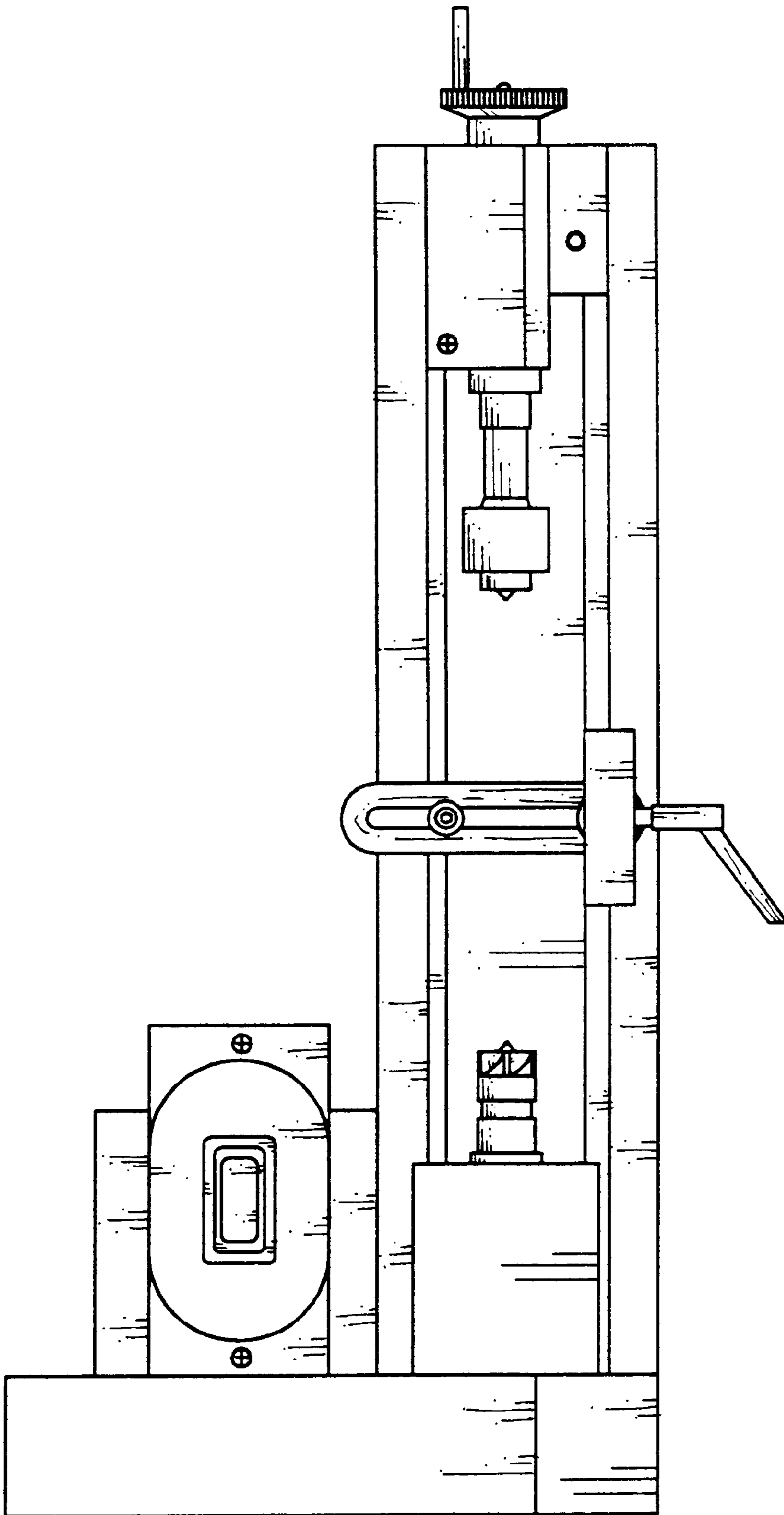


FIG. 4

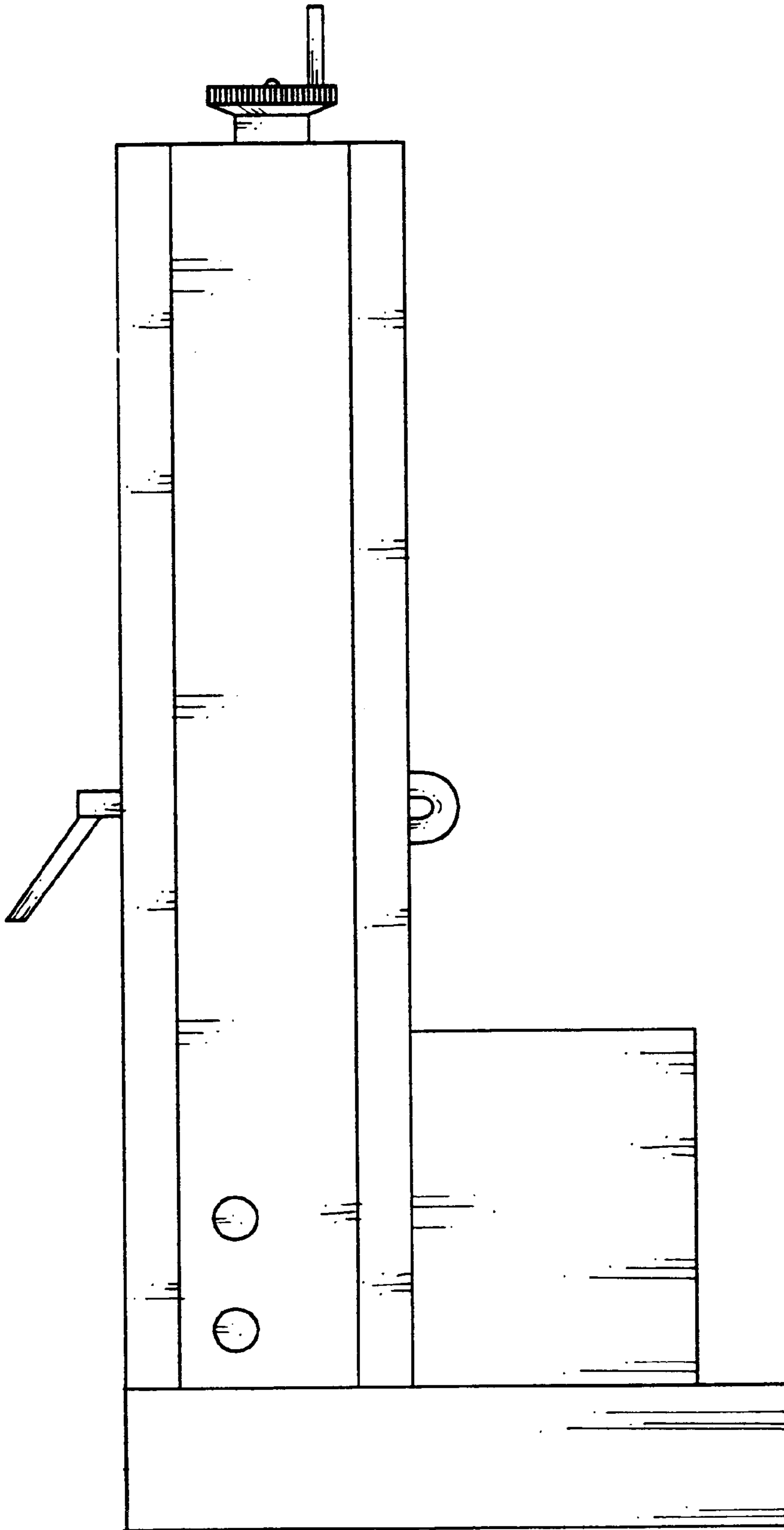


FIG. 5

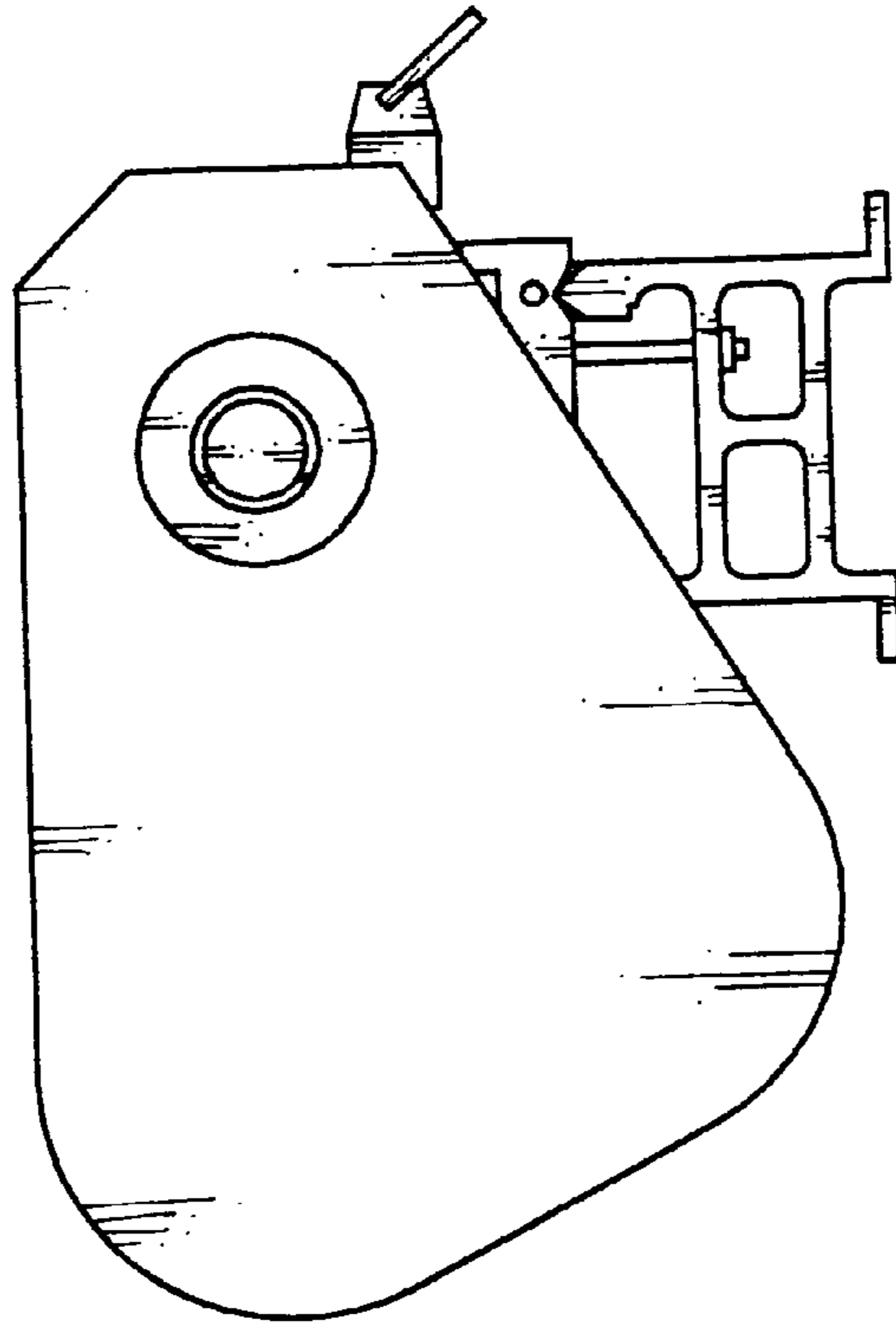


FIG. 7

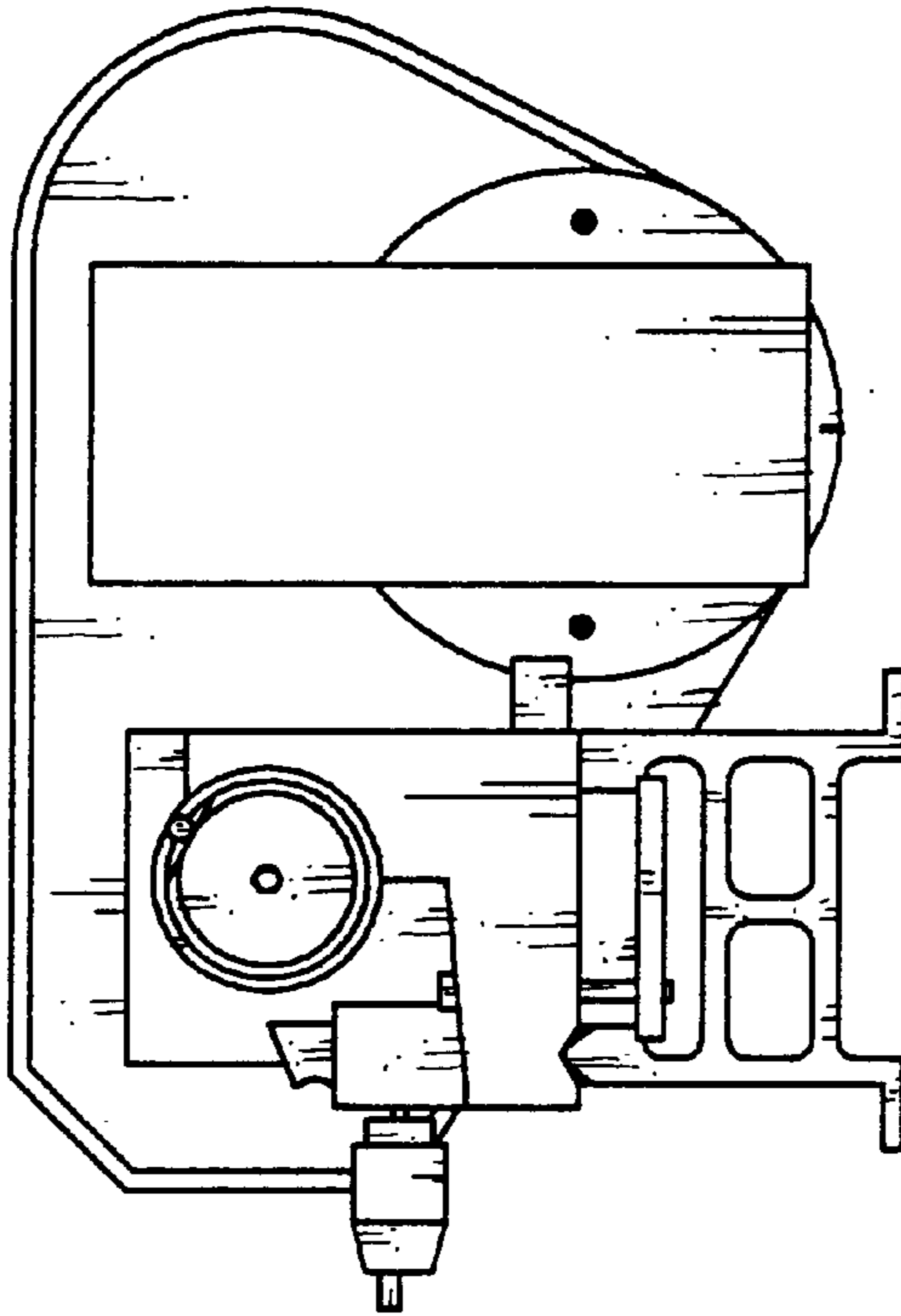


FIG. 6