



US00D415503S

United States Patent [19]

[11] Patent Number: **Des. 415,503**

Eavenson et al.

[45] Date of Patent: **** Oct. 19, 1999**

[54] WALK BEHIND LAWN MOWER

OTHER PUBLICATIONS

[75] Inventors: **Jimmy N. Eavenson**, Aurora; **David Lasley**, Parma, both of Ohio

Implement and Tractor, Feb. 1991. p. 8, Toro Company Walk Behind Mower.

[73] Assignee: **Commercial Turf Products, Ltd.**, Streetsboro, Ohio

Sears 1992 Lawn and Garden Catalog. p. 25, Yard-Man Professional Mower.

[**] Term: **14 Years**

Primary Examiner—Sandra L. Morris
Attorney, Agent, or Firm—Emerson & Associates; Roger D. Emerson; John M. Skeriotis

[21] Appl. No.: **29/082,706**

[57] CLAIM

[22] Filed: **Jan. 5, 1998**

The ornamental design for a walk behind lawn mower, as shown.

[51] **LOC (6) Cl.** **15-03**

[52] **U.S. Cl.** **D15/14**

[58] **Field of Search** D15/10, 14-17; 56/133, 13.4, 15.8, 15.9, 16.1, 16.7, 16.9, 17.4, 202, 255, 294, 320.1, 320.2

DESCRIPTION

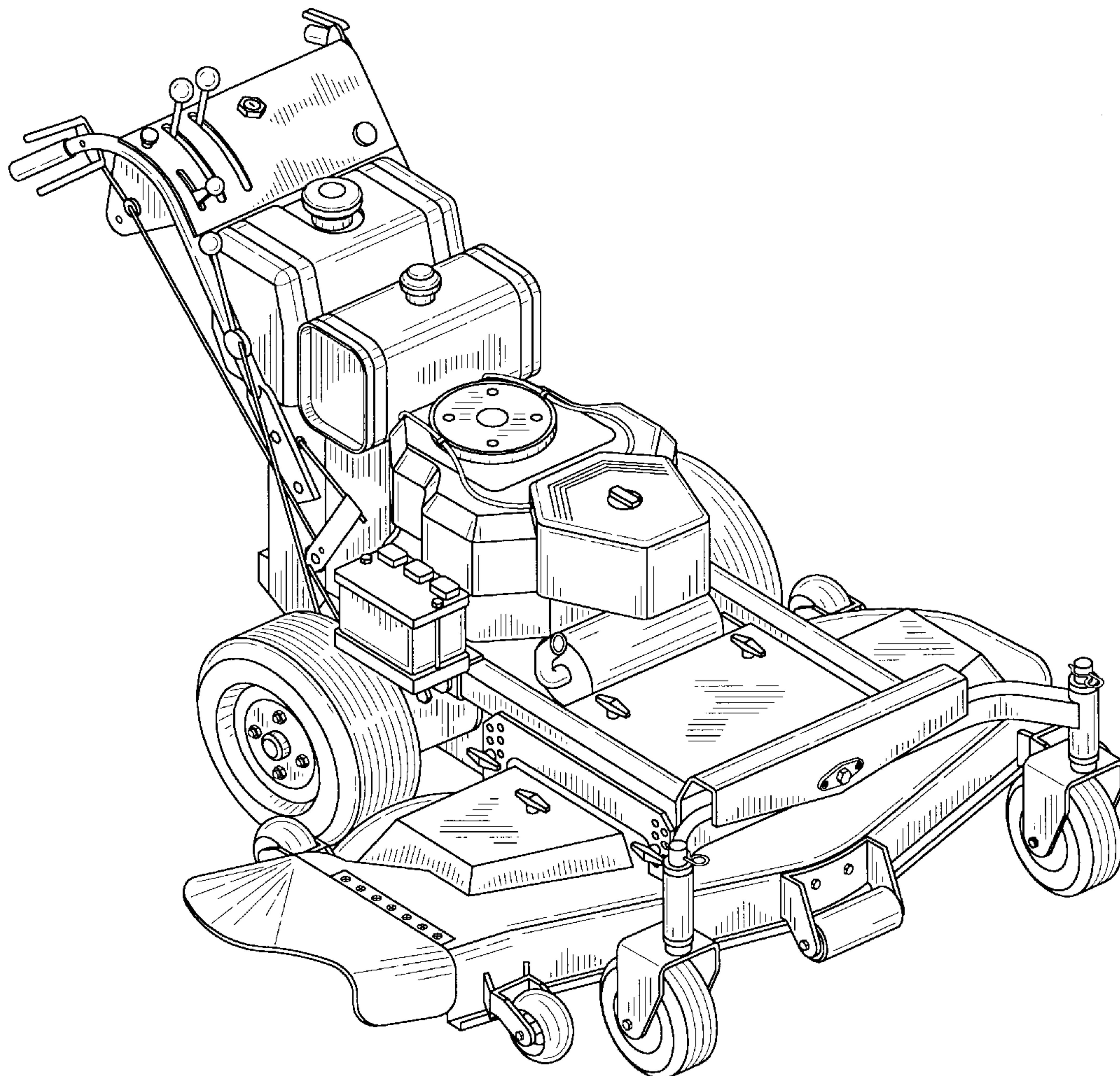
[56] References Cited

U.S. PATENT DOCUMENTS

5,155,985	10/1992	Oshima et al.	56/10.8
5,251,429	10/1993	Minato et al.	56/17.2
5,457,946	10/1995	Deitrick	56/16.6
5,518,079	5/1996	Zvolanek	180/19.1

FIG. 1 is a perspective view of a walk behind lawn mower; FIG. 2 is a top view of a walk behind lawn mower; FIG. 3 is a right side view of a walk behind lawn mower; FIG. 4 is a left side view of a walk behind lawn mower; FIG. 5 is a front end view of a walk behind lawn mower; and, FIG. 6 is a rear end view of a walk behind lawn mower.

1 Claim, 6 Drawing Sheets



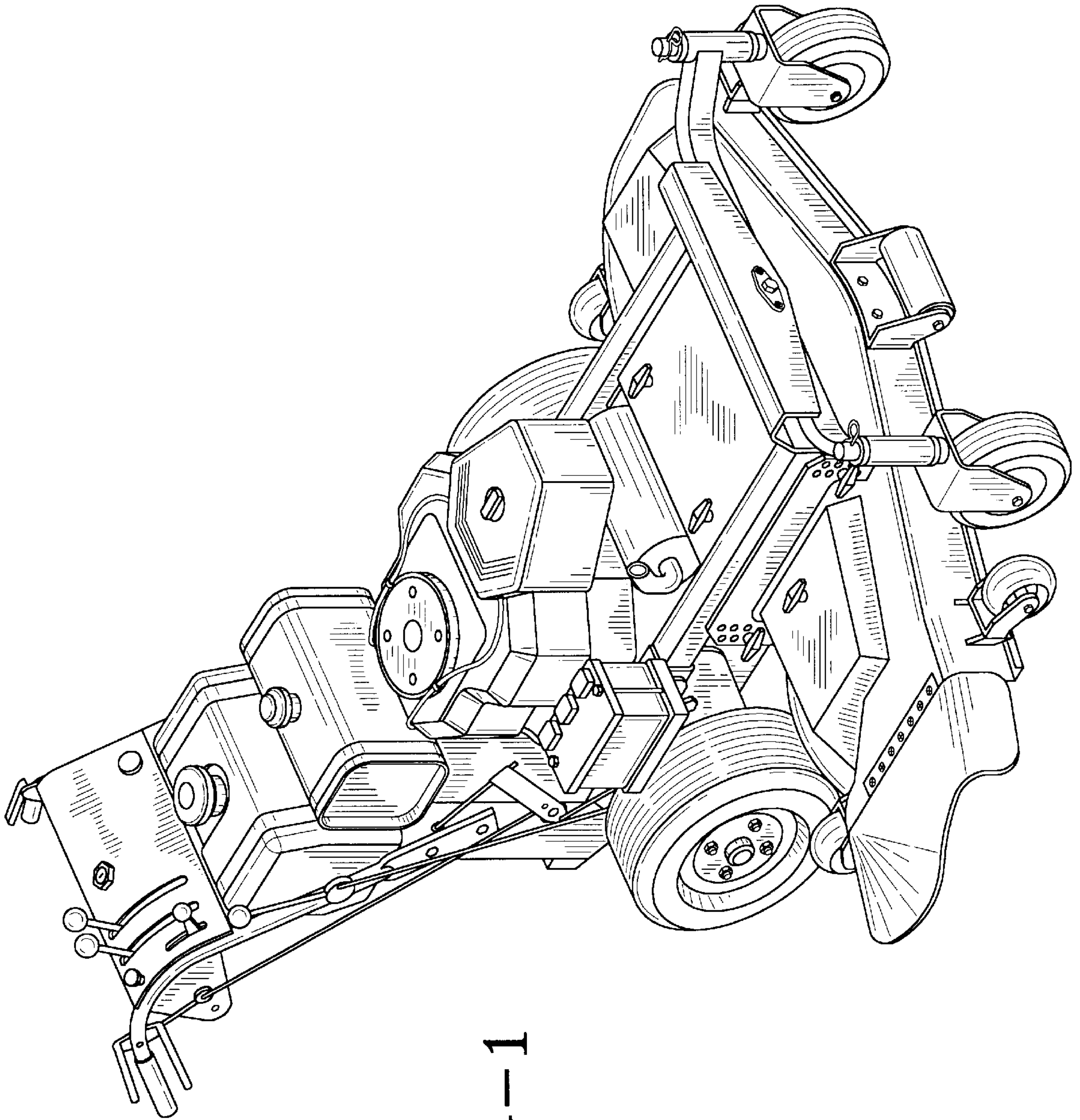


FIG-1

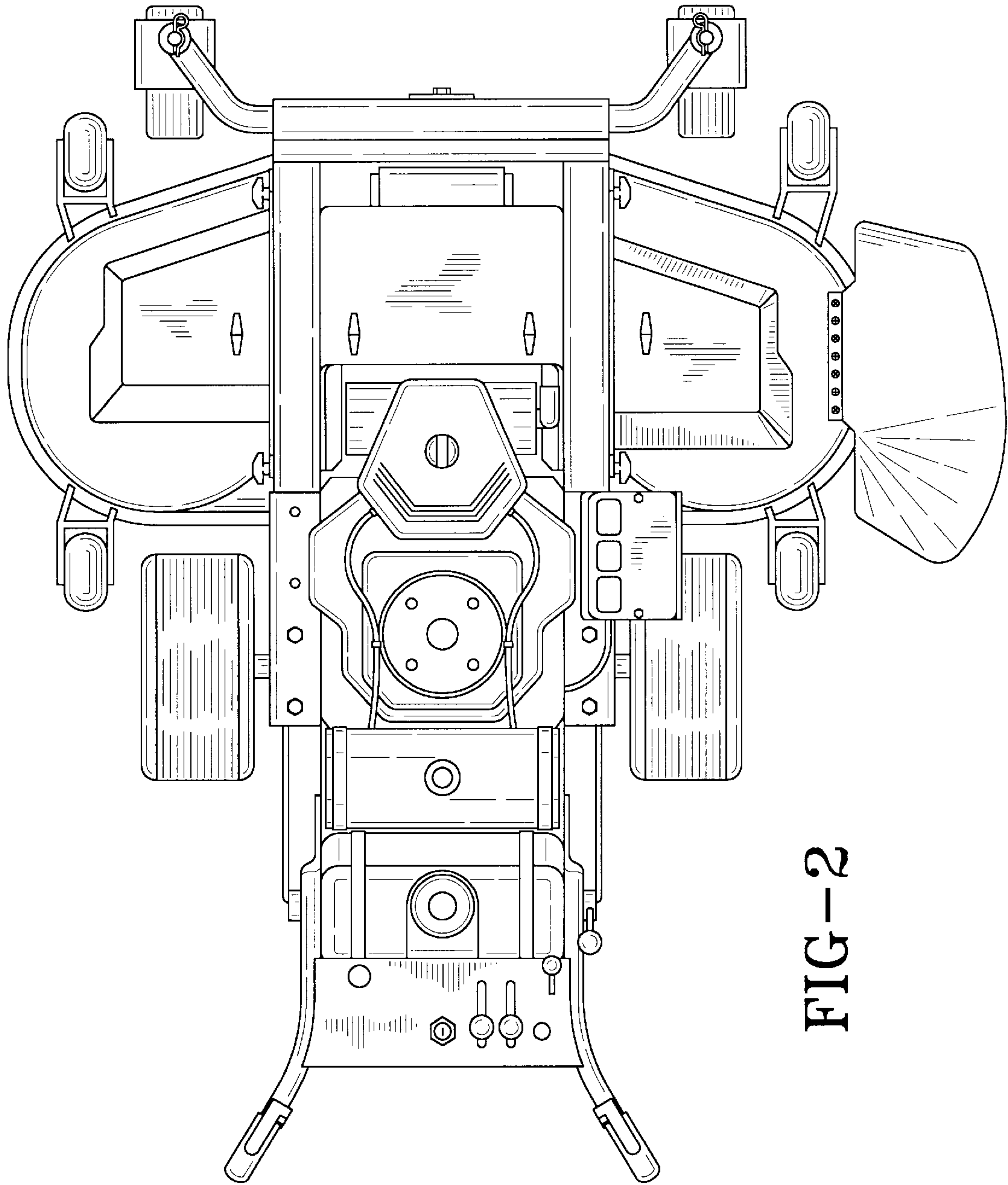


FIG-2

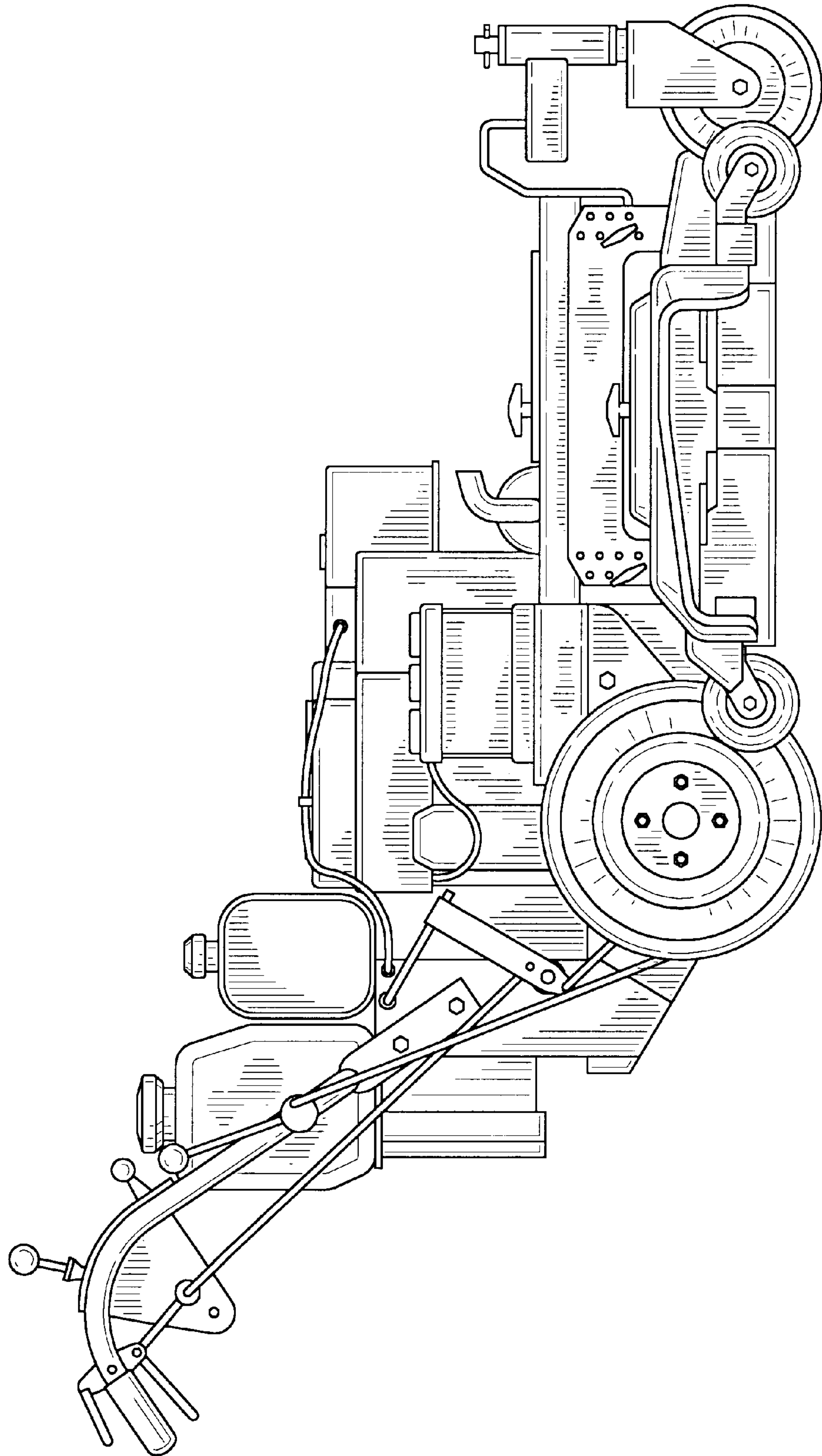


FIG-3

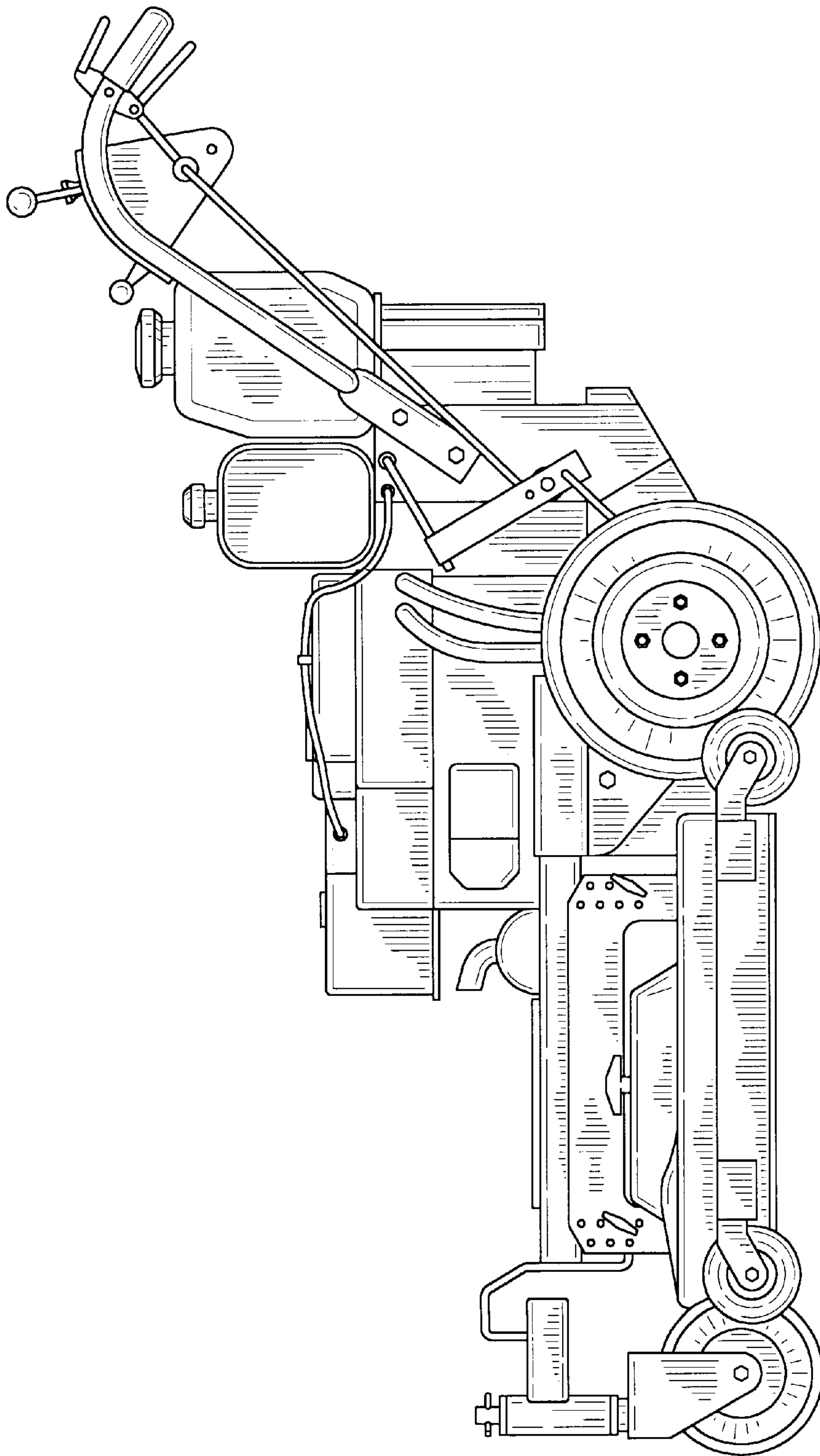


FIG-4

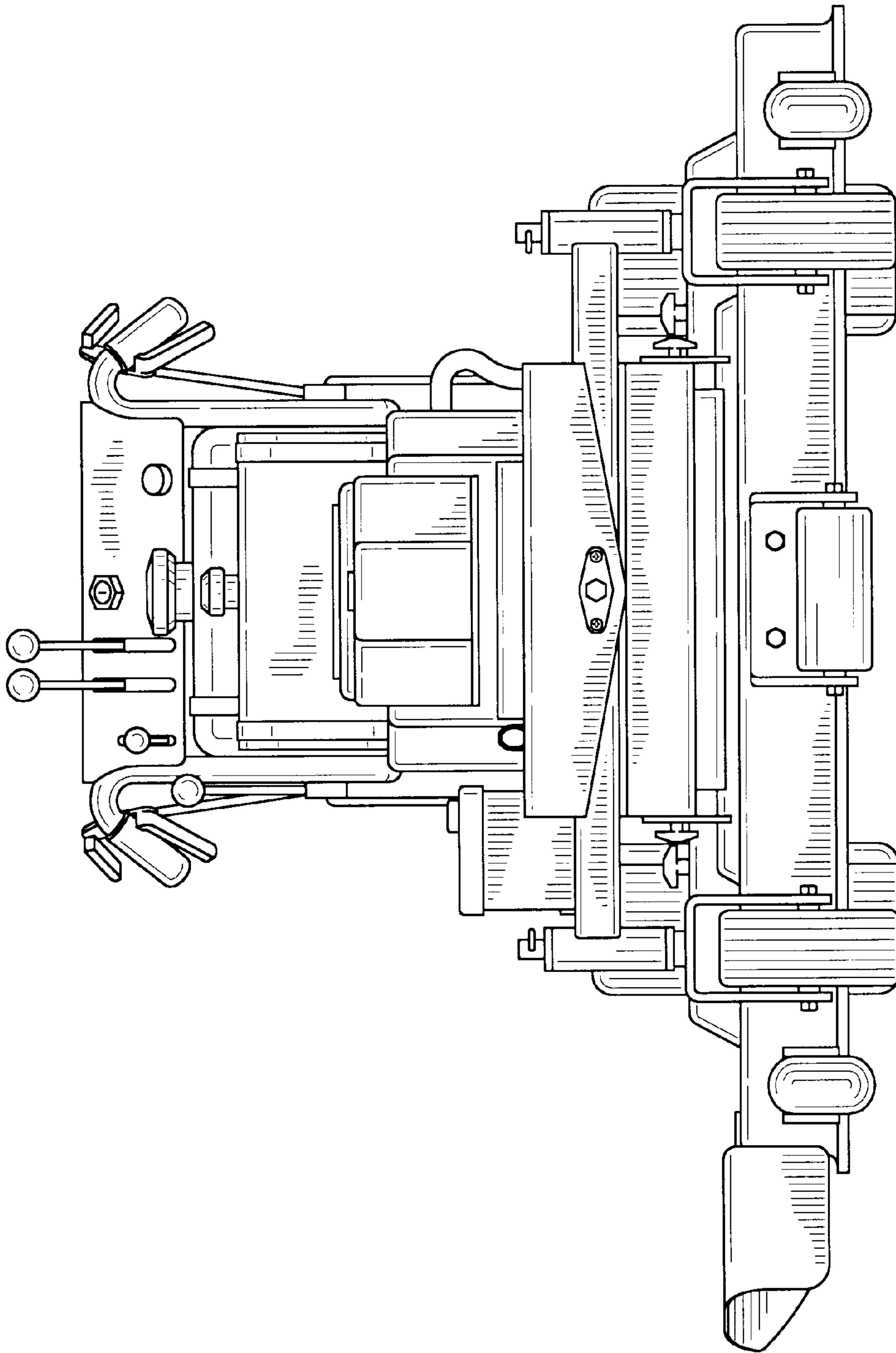


FIG-5

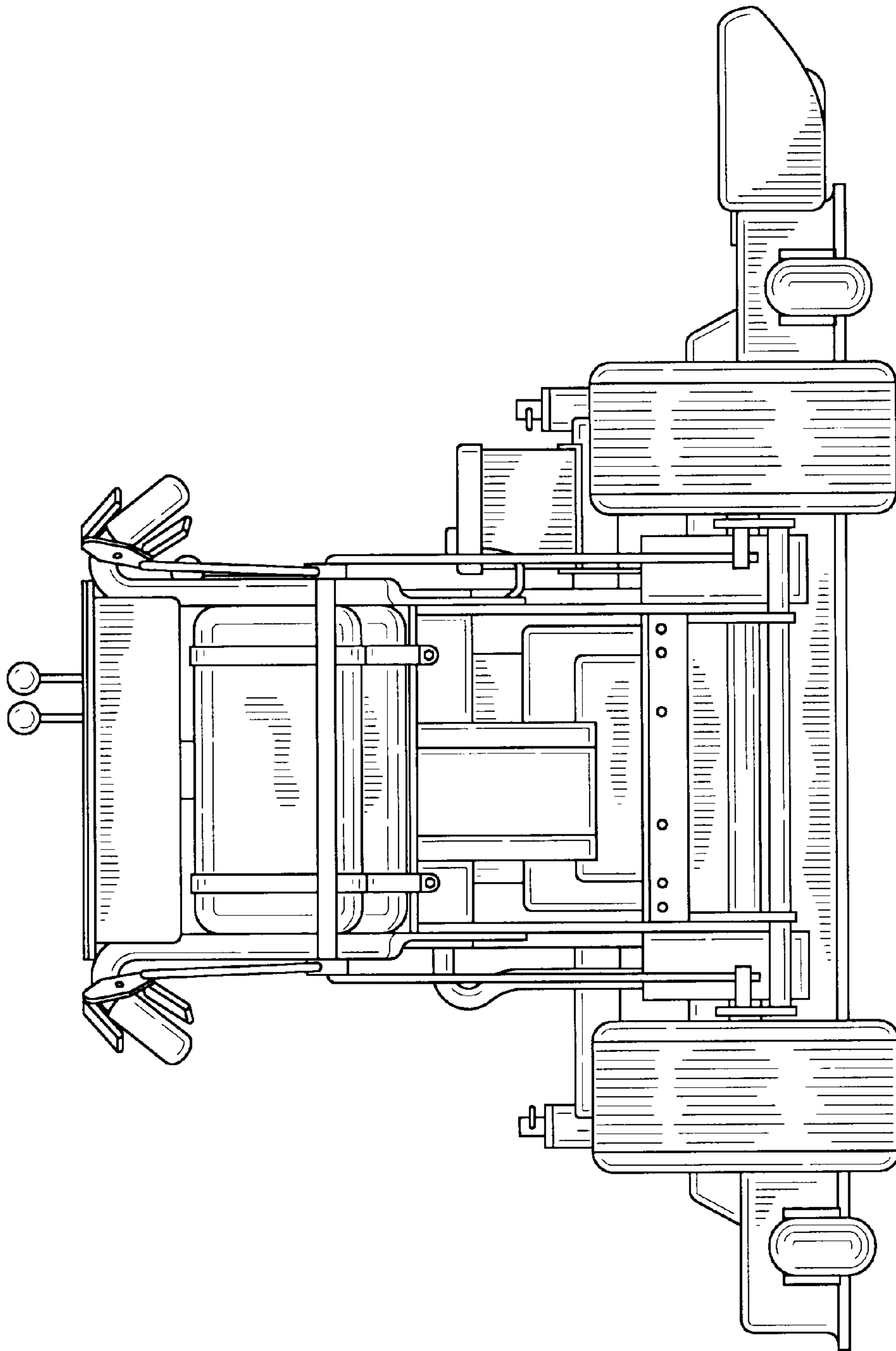


FIG-6