



US00D415502S

# United States Patent [19] Yoshida

[11] Patent Number: Des. 415,502

[45] Date of Patent: \*\* Oct. 19, 1999

[54] **CULTIVATOR**

[75] Inventor: **Isao Yoshida**, Saitama-ken, Japan

[73] Assignee: **Honda Giken Kogyo Kabushiki Kaisha**, Tokyo, Japan

[\*\*] Term: **14 Years**

[21] Appl. No.: **29/098,054**

[22] Filed: **Dec. 21, 1998**

[30] **Foreign Application Priority Data**

Jun. 24, 1998 [JP] Japan ..... 10-18175

[51] **LOC (6) Cl.** ..... **15-03**

[52] **U.S. Cl.** ..... **D15/12**

[58] **Field of Search** ..... D15/10-12, 14;  
172/42, 43, 112, 119

[56] **References Cited**

**U.S. PATENT DOCUMENTS**

D. 249,518	9/1978	Cognata et al.	.....	D15/12
3,442,335	5/1969	Silbereis et al.	.....	172/43
5,197,551	3/1993	Farley	.....	172/42
5,573,069	11/1996	Shipley	.....	172/42

**FOREIGN PATENT DOCUMENTS**

55-7496 4/1981 Japan .  
686953 5/1986 Japan .

**OTHER PUBLICATIONS**

Hardware Ace Magazine, Feb. 9, 1961, p. 45, Turfmaster tiller.  
Sears Winter Sale, received Jan. 4, 1961, p. 236, David Bradley Roto-Spader, left.

*Primary Examiner*—Sandra L. Morris  
*Attorney, Agent, or Firm*—Darby & Darby

[57] **CLAIM**

The ornamental design for a cultivator, as shown and described.

**DESCRIPTION**

FIG. 1 is a front elevational view of a cultivator showing my new design;  
FIG. 2 is a rear elevational view thereof;  
FIG. 3 is a right side elevational view thereof;  
FIG. 4 is a left side elevational view thereof;  
FIG. 5 is a top plan view thereof; and,  
FIG. 6 is a bottom view thereof.

**1 Claim, 6 Drawing Sheets**

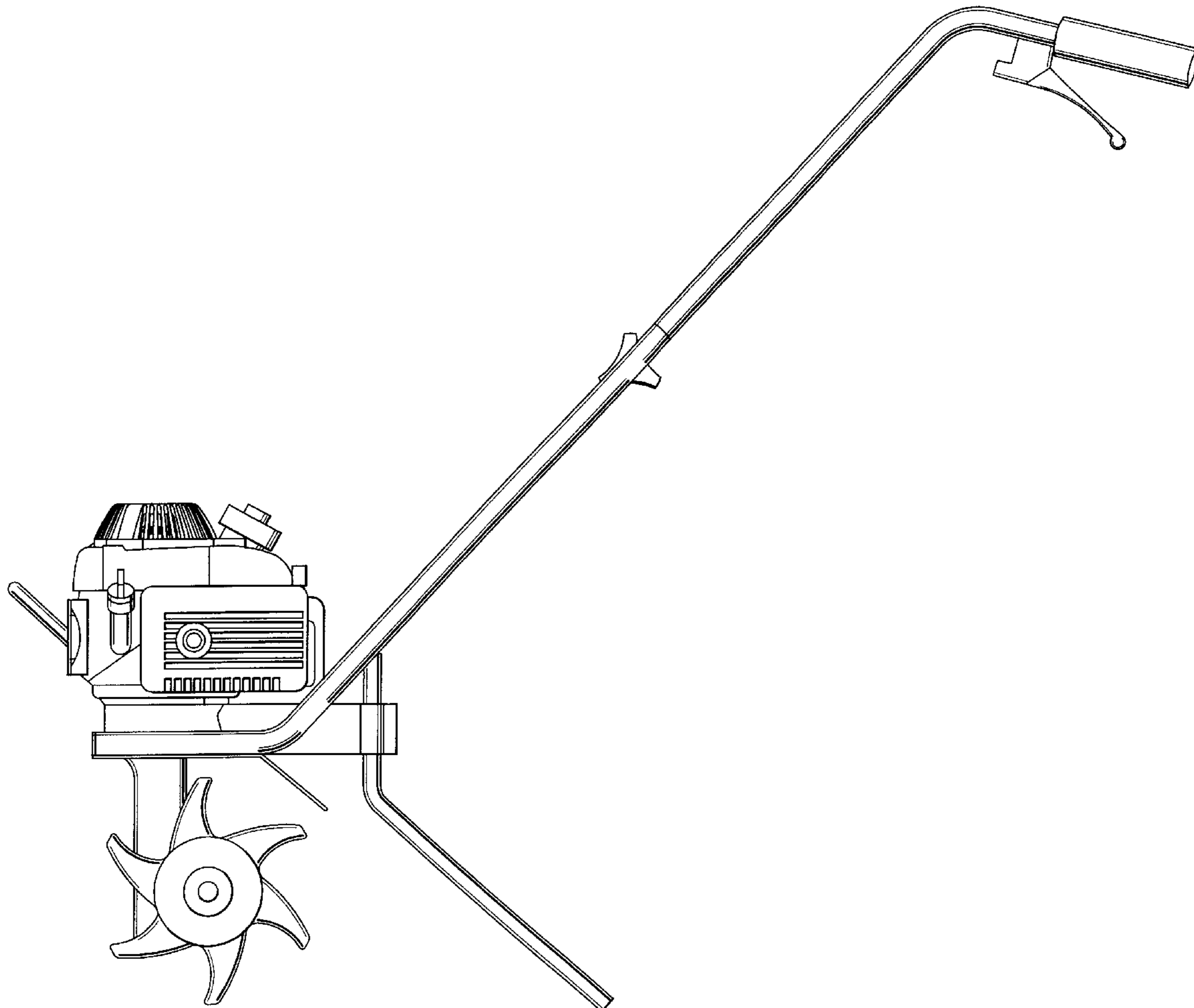


FIG. 1

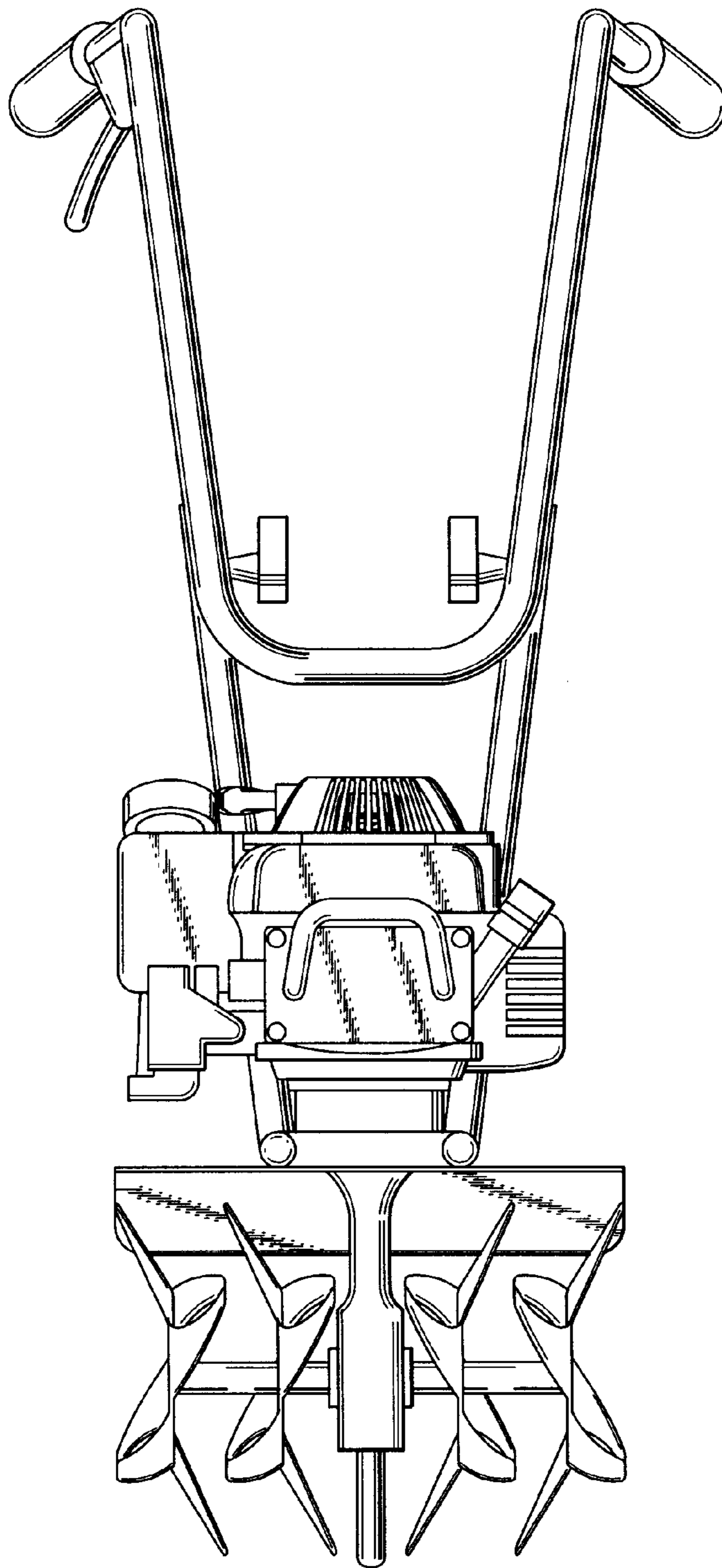


FIG. 2

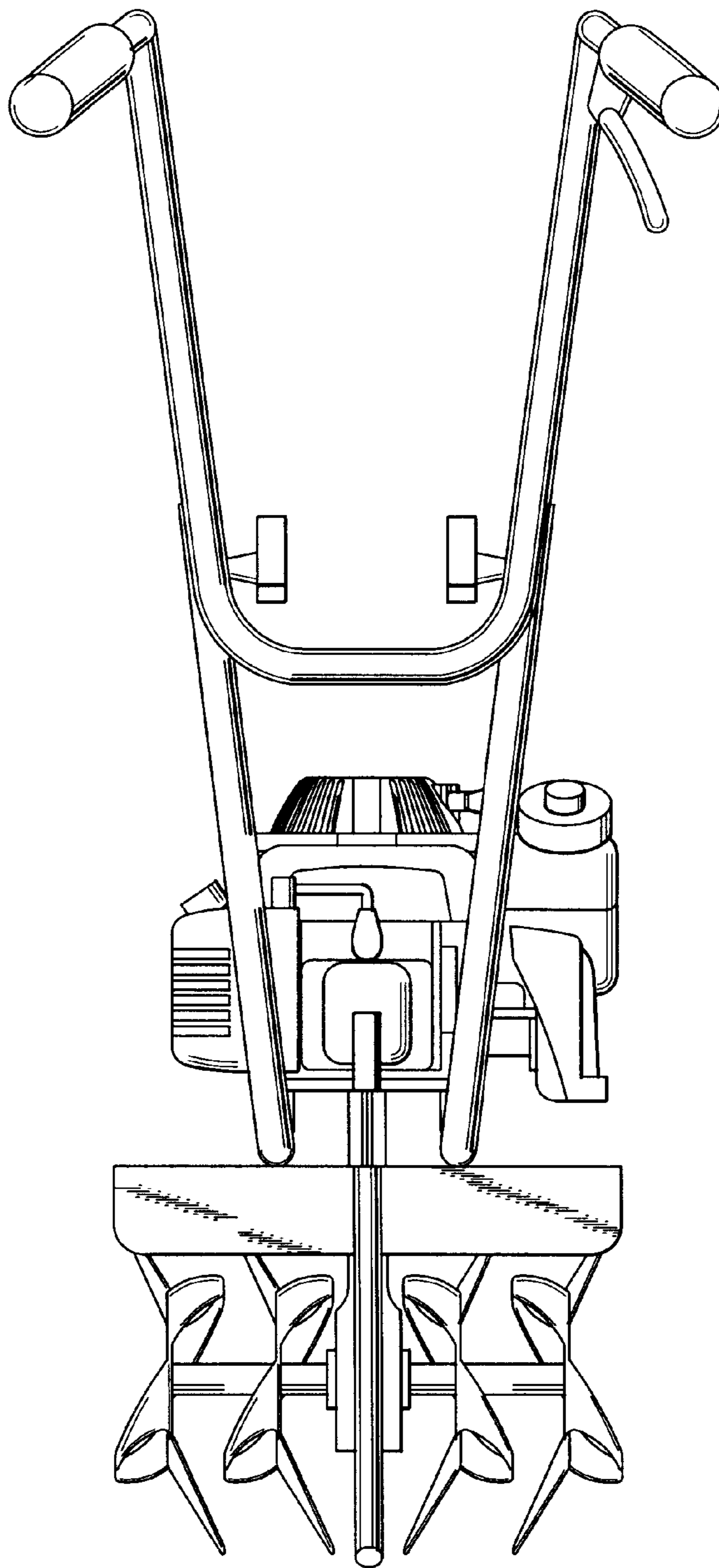


FIG. 3

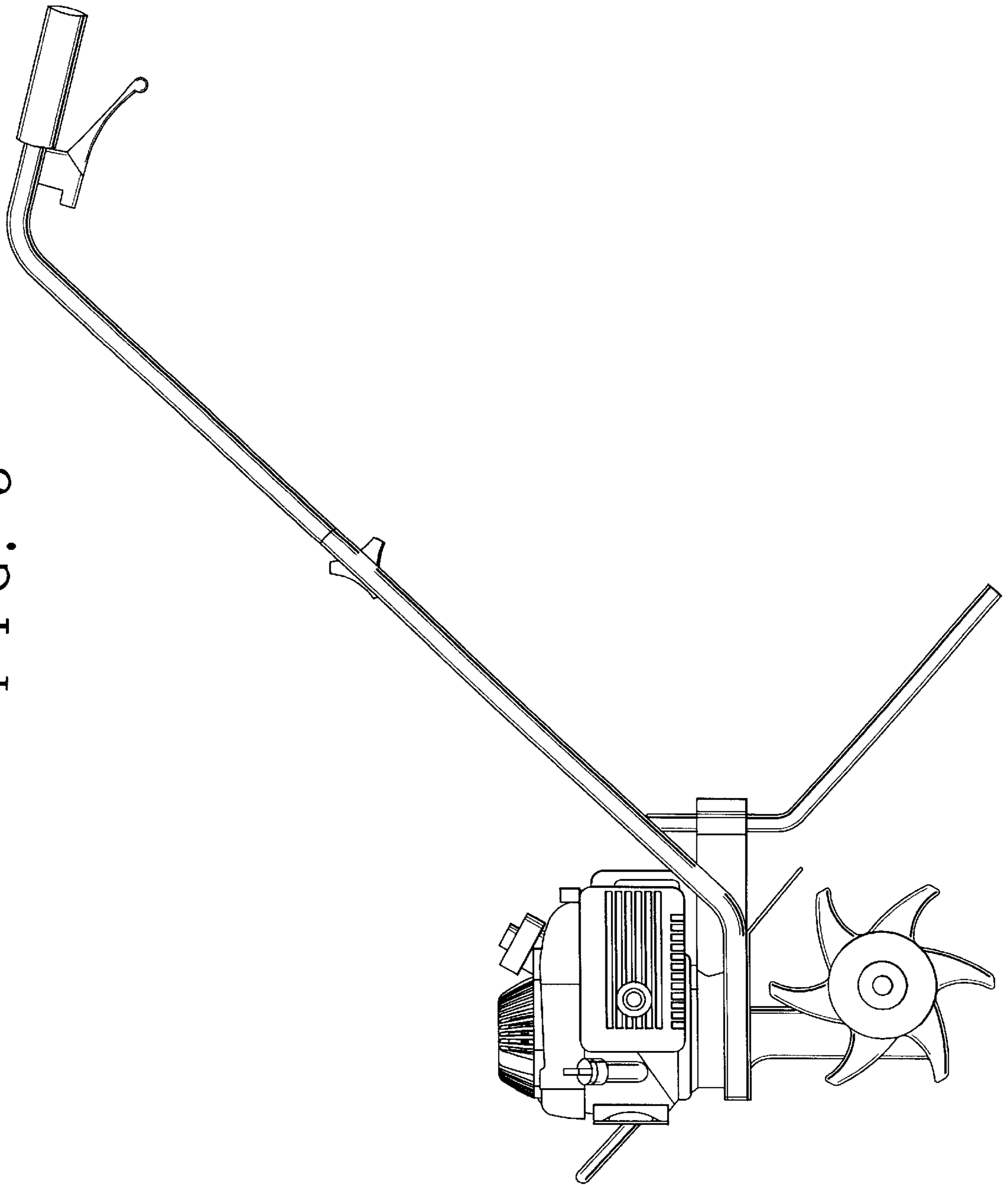


FIG. 4

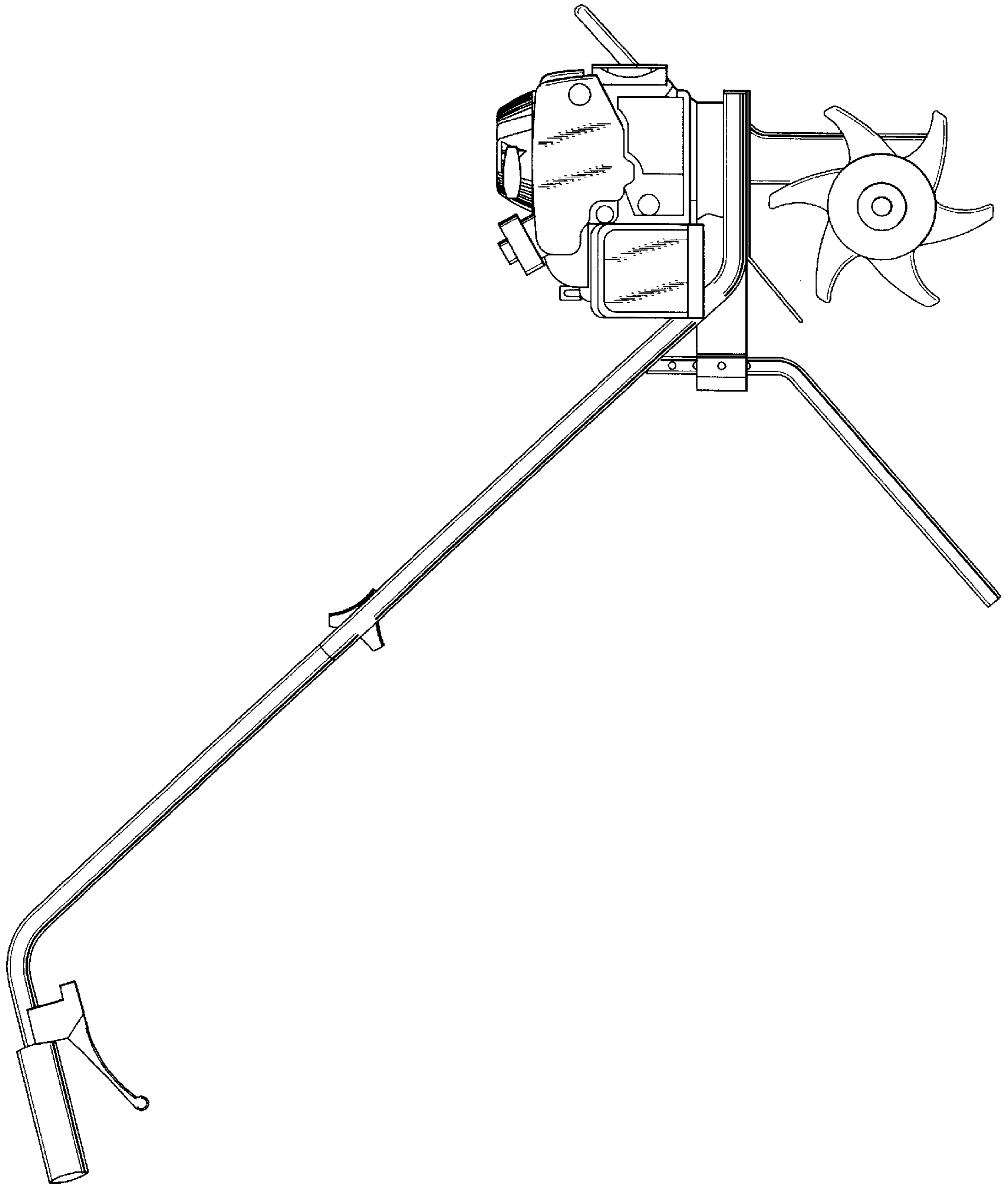


FIG. 5

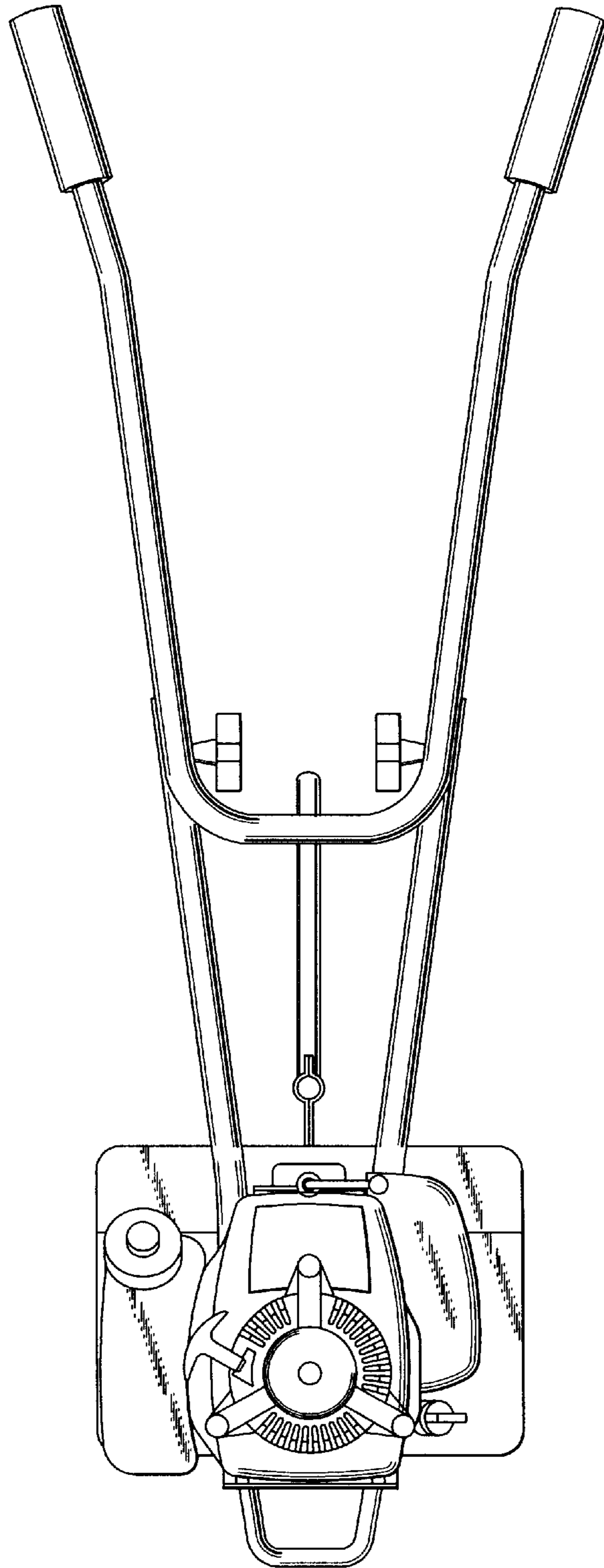


FIG. 6

