



US00D415499S

United States Patent [19]

Hillier et al.

[11] Patent Number: Des. 415,499

[45] Date of Patent: ** Oct. 19, 1999

[54] **RF COUPLING HOUSING FOR A CELLULAR PHONE HOLDER**

[75] Inventors: **Bruce Dean Hillier**, Hawthorn Woods; **James S. Cleary**, Lake In The Hills, both of Ill.

[73] Assignee: **Motorola, Inc.**, Schaumburg, Ill.

[**] Term: **14 Years**

[21] Appl. No.: **29/070,127**

[22] Filed: **Apr. 30, 1997**

[51] **LOC (6) Cl.** **14-03**

[52] **U.S. Cl.** **D14/253; D14/238**

[58] **Field of Search** 379/419, 420, 379/428, 440-443; D14/137, 138, 149, 140, 142, 240, 256, 217, 251-253, 230; 343/703, 720; 455/550-575, 90, 347

[56] **References Cited**

U.S. PATENT DOCUMENTS

D. 327,055	6/1992	Derbyshire	D13/156
D. 345,341	3/1994	Tattari et al.	D13/119
D. 348,885	7/1994	VanDyke, Jr. et al.	D14/230
D. 370,658	6/1996	Siddoway et al.	D13/108
D. 384,641	10/1997	Robertson, Jr.	D13/133
4,220,955	9/1980	Frye	343/703

5,313,663 5/1994 Norris 455/351

Primary Examiner—Jeffrey Asch
Attorney, Agent, or Firm—John J. King

[57] **CLAIM**

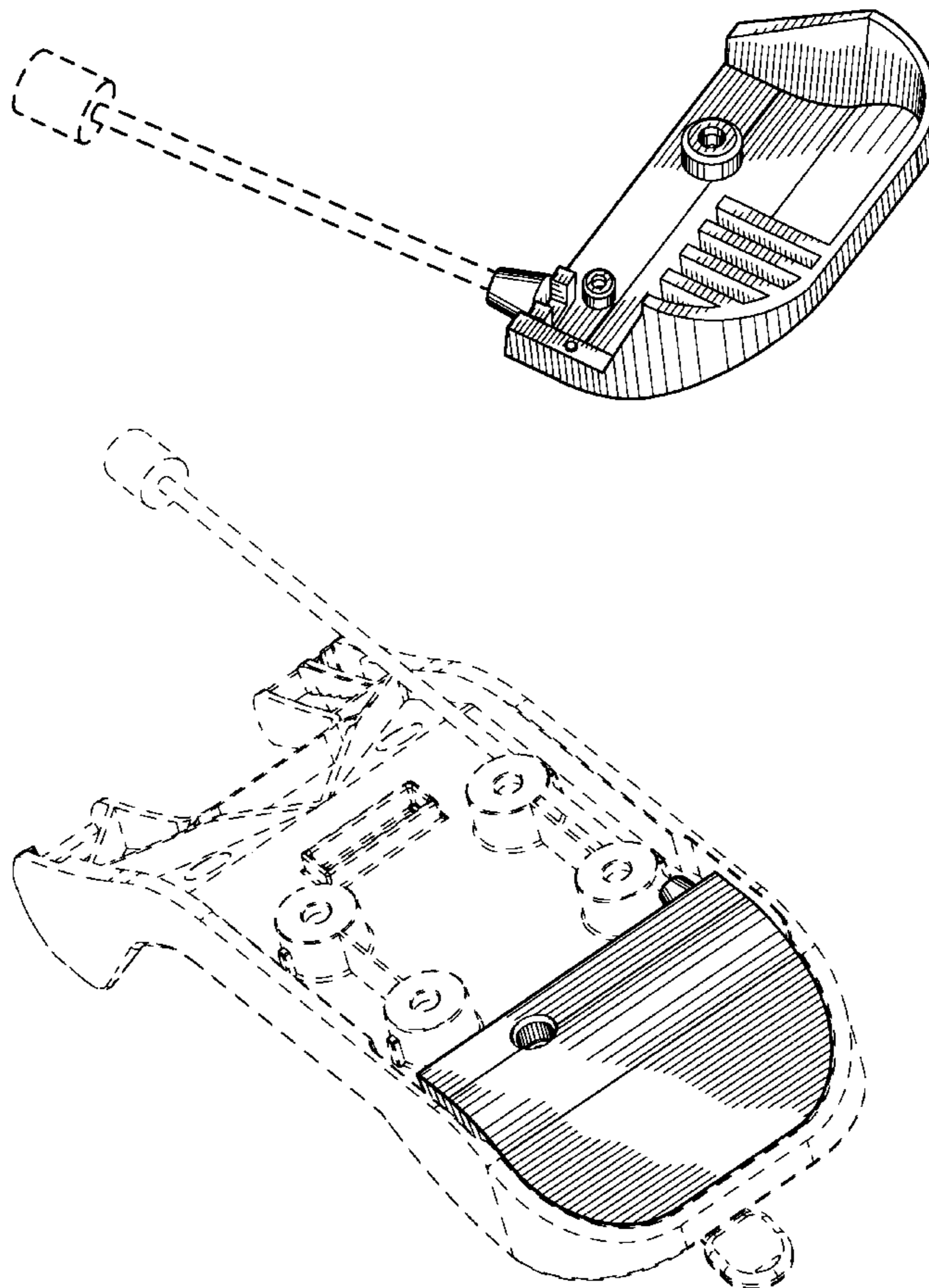
The ornamental design for a RF coupling housing for a cellular phone holder, as shown and described.

DESCRIPTION

FIG. 1 is a top, front and left side perspective view of a RF coupling housing showing our new design; FIG. 2 is a bottom, front and right side perspective view thereof showing our new design; FIG. 3 is a rear side elevation view thereof showing our new design; FIG. 4 is a bottom side plan view thereof showing our new design; FIG. 5 is a right side elevation view thereof showing our new design; and, FIG. 6 is a top, front and left side perspective view of our RF coupling housing showing our new design attached to a cellular phone holder.

The portions of the article hidden behind the broken line disclosure in FIG. 3 and not shown elsewhere in the disclosure are not considered to be a part of the claimed design. The broken line matter in all figures is for illustrative purposes only and forms no part of the claimed design.

1 Claim, 4 Drawing Sheets



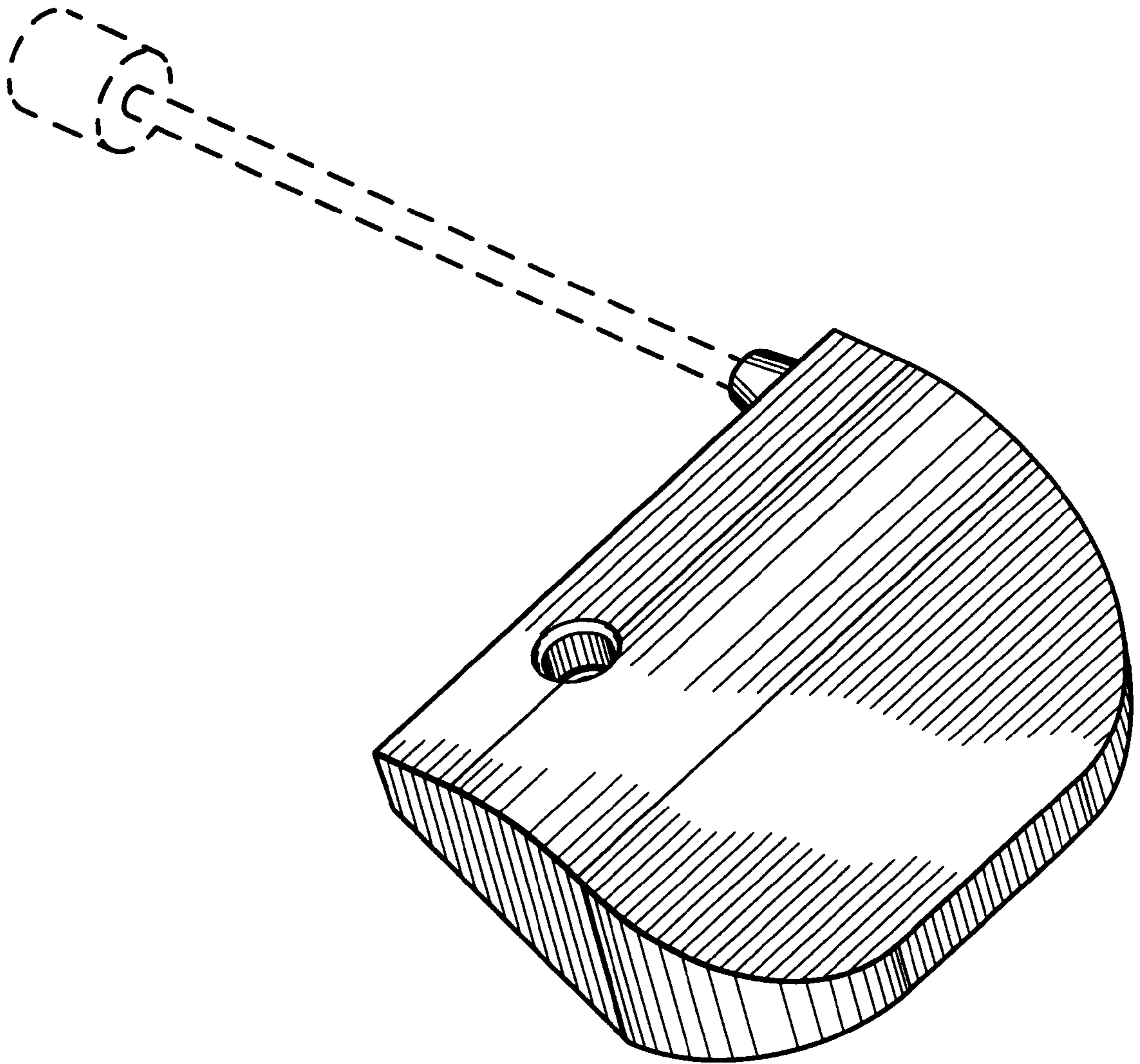


FIG. 1

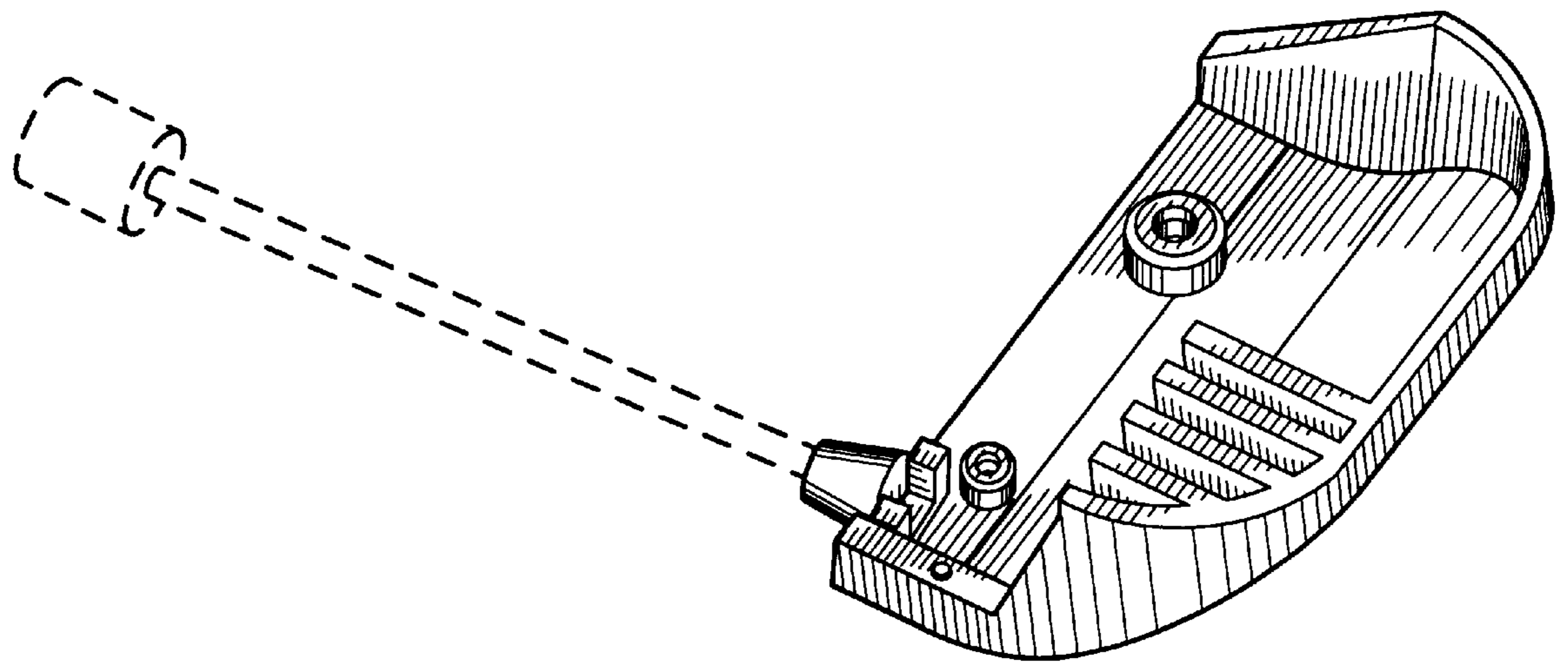


FIG. 2

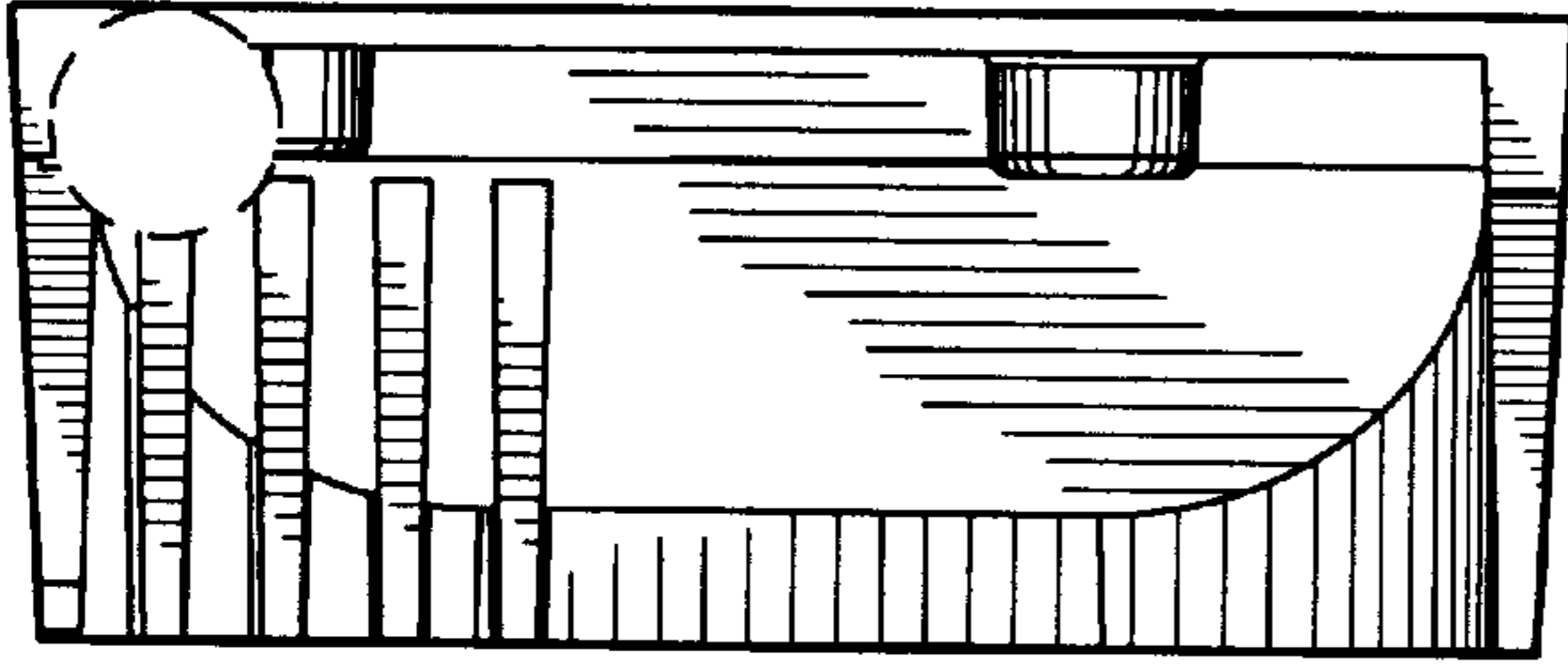


FIG. 3

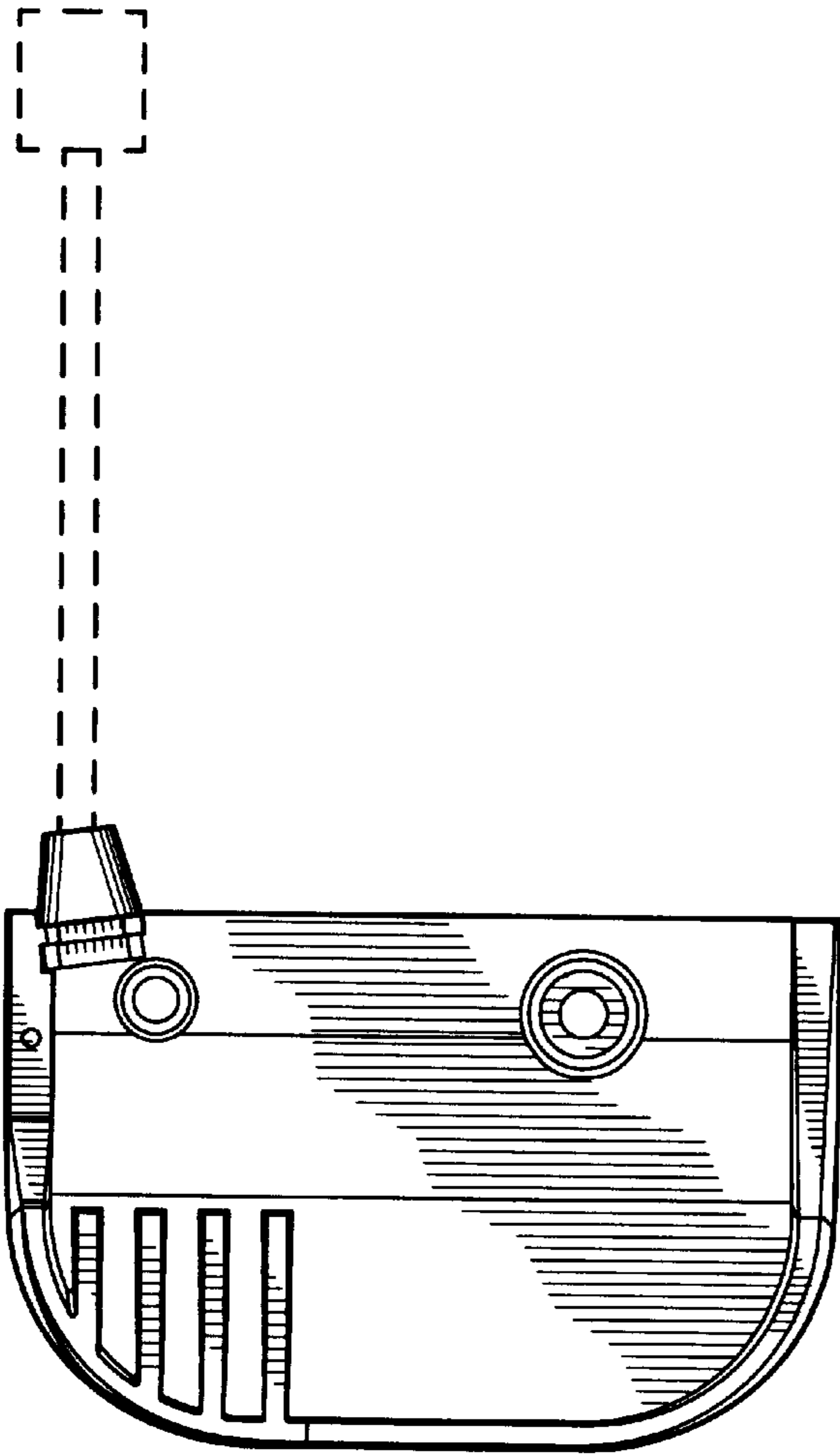


FIG. 4

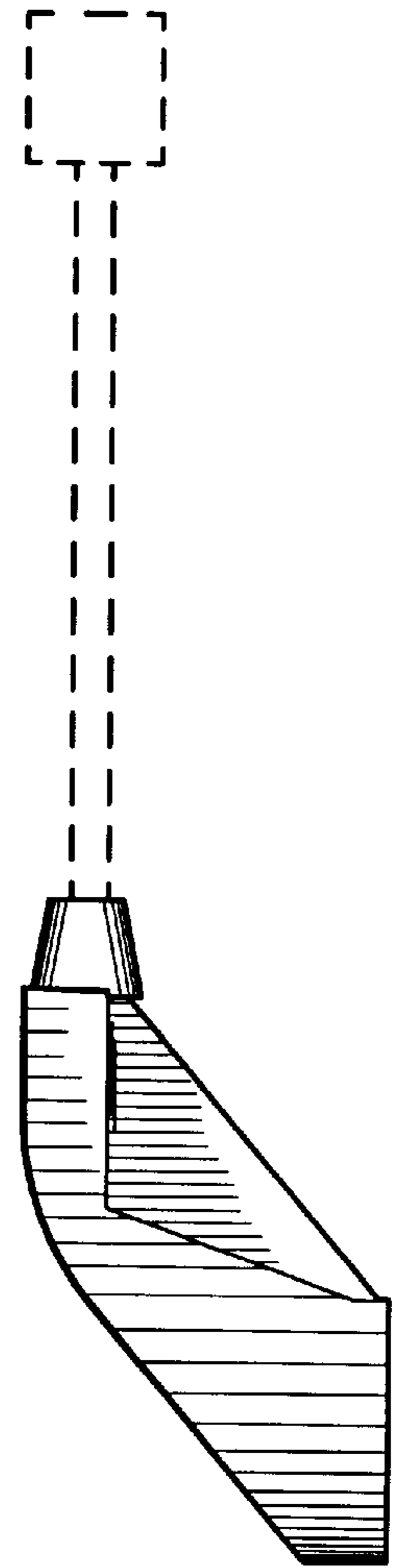


FIG. 5

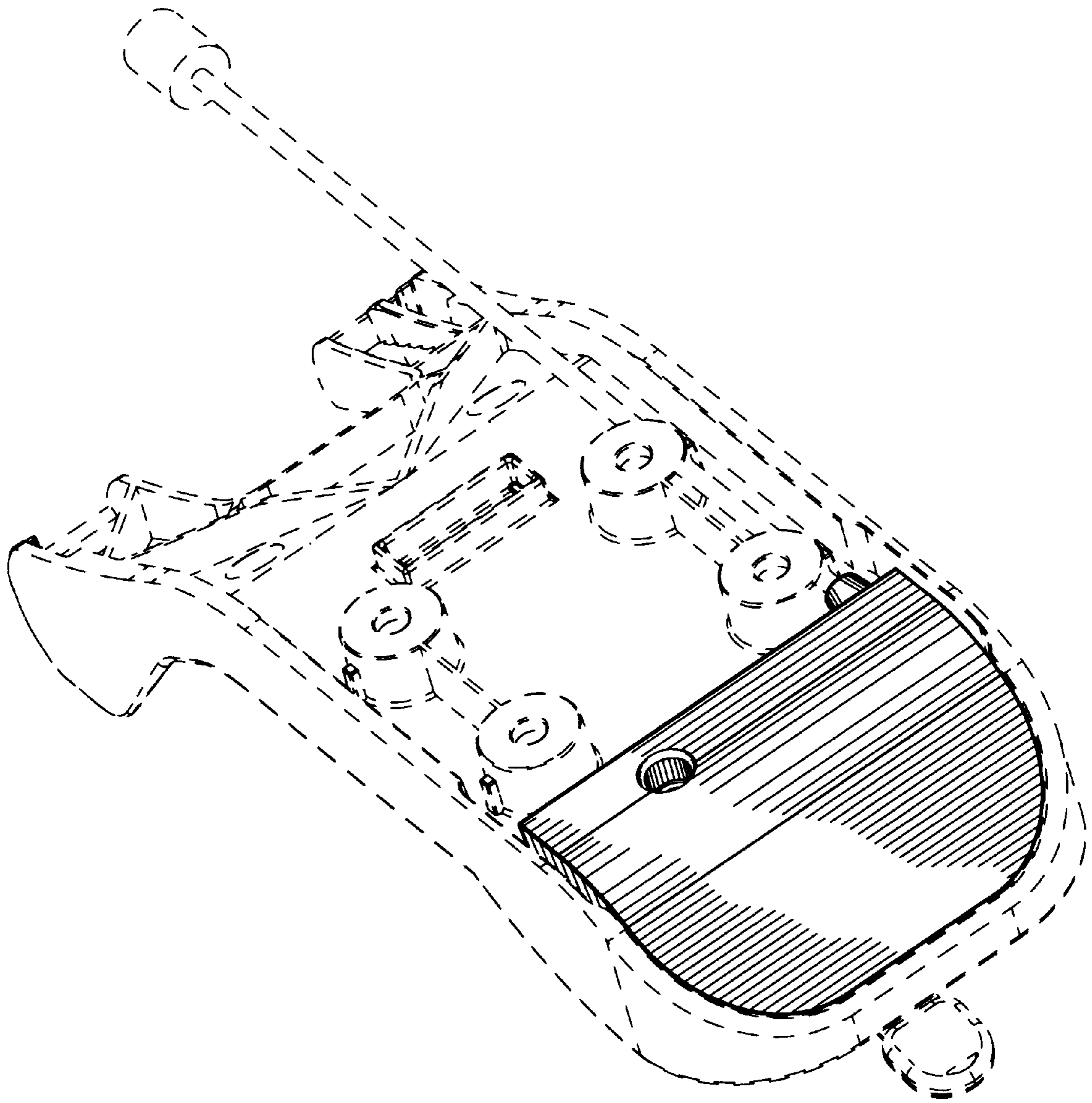


FIG. 6