



US00D415497S

# United States Patent [19] Seifert

[11] **Patent Number: Des. 415,497**

[45] **Date of Patent: \*\* Oct. 19, 1999**

[54] **DUAL BAND ANTENNA BASE**

[75] Inventor: **Charles A. Seifert**, Canton, Ohio

[73] Assignee: **Allen Telecom Inc.**, Solon, Ohio

[\*\*] Term: **14 Years**

[21] Appl. No.: **29/082,032**

[22] Filed: **Oct. 10, 1997**

[51] **LOC (6) Cl. .... 14-03**

[52] **U.S. Cl. .... D14/238**

[58] **Field of Search** ..... D14/230-238,  
D14/299; 343/780, 781 R, 824-825, 872-873,  
878, 702, 888-890, 9.2, DIG. 2, 713, 715,  
805, 882, 840, 742, 907-908

[56] **References Cited**

**U.S. PATENT DOCUMENTS**

D. 223,455	4/1972	Finkel	.....	D14/238
D. 399,847	10/1998	Seifert	.....	D14/230
3,364,487	1/1968	Maheux	.....	343/702
5,142,293	8/1992	Ross	.....	343/840
5,517,410	5/1996	Konishi	.....	343/715
5,552,796	9/1996	Diamond	.....	343/742
5,708,445	1/1998	Moller et al.	.....	343/702

**FOREIGN PATENT DOCUMENTS**

2097595 11/1982 United Kingdom ..... 343/878

*Primary Examiner*—Louis S. Zarfes

*Assistant Examiner*—G. Andoll

*Attorney, Agent, or Firm*—Laff, Whitesel & Saret, Ltd.

[57] **CLAIM**

The ornamental design for a dual band antenna base, as shown and described.

**DESCRIPTION**

FIG. 1 is a perspective view of a dual band antenna base showing my new design;

FIG. 2 is a top plan view of the dual band antenna base of FIG. 1;

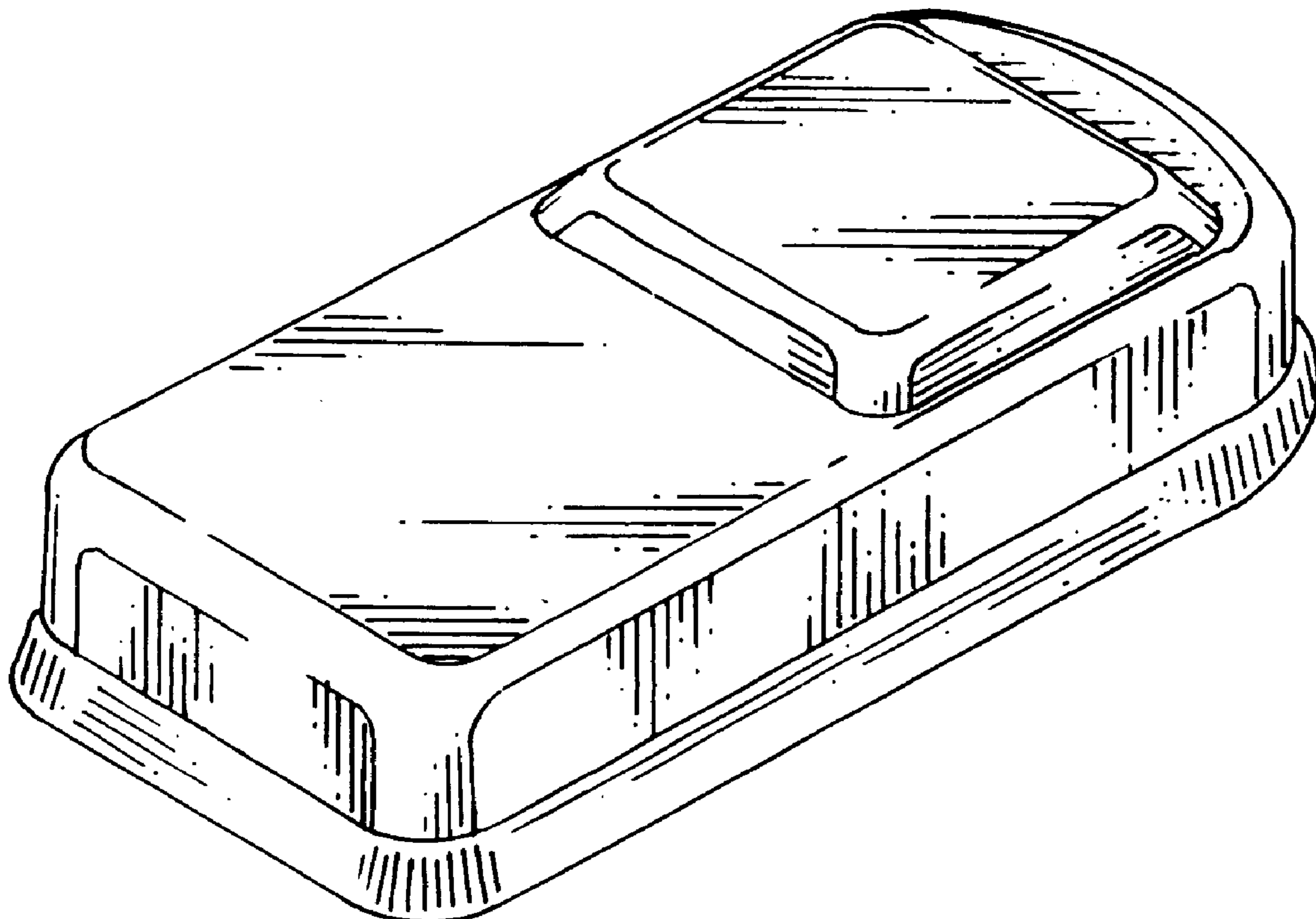
FIG. 3 is a left end view of the dual band antenna base of FIG. 1;

FIG. 4 is a side view of the dual band antenna base of FIG. 1, the other side view being a mirror image thereof;

FIG. 5 is a right end view of the dual band antenna base of FIG. 1; and,

FIG. 6 is a bottom view of the dual band antenna base of FIG. 1.

**1 Claim, 1 Drawing Sheet**



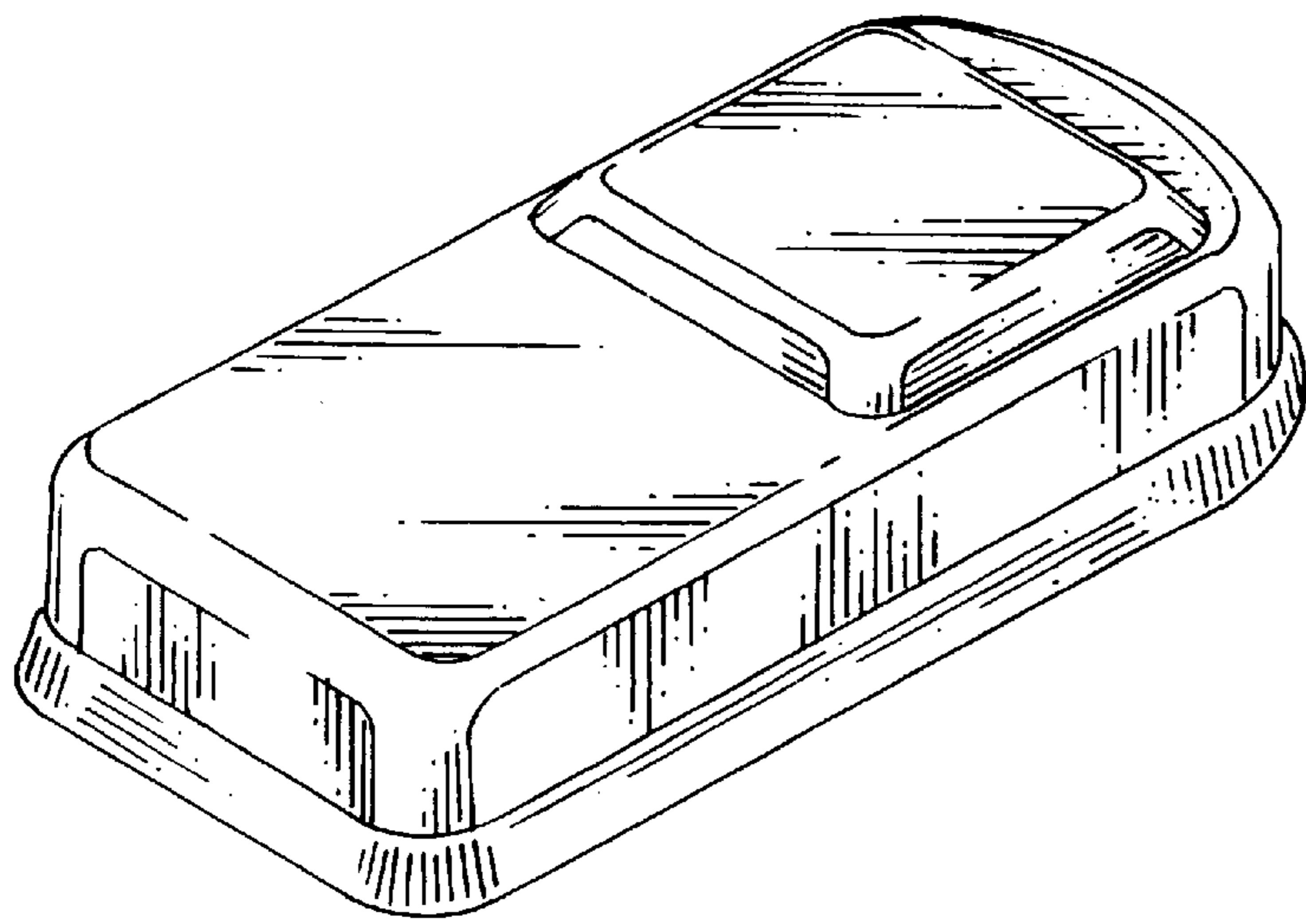


FIG. 1

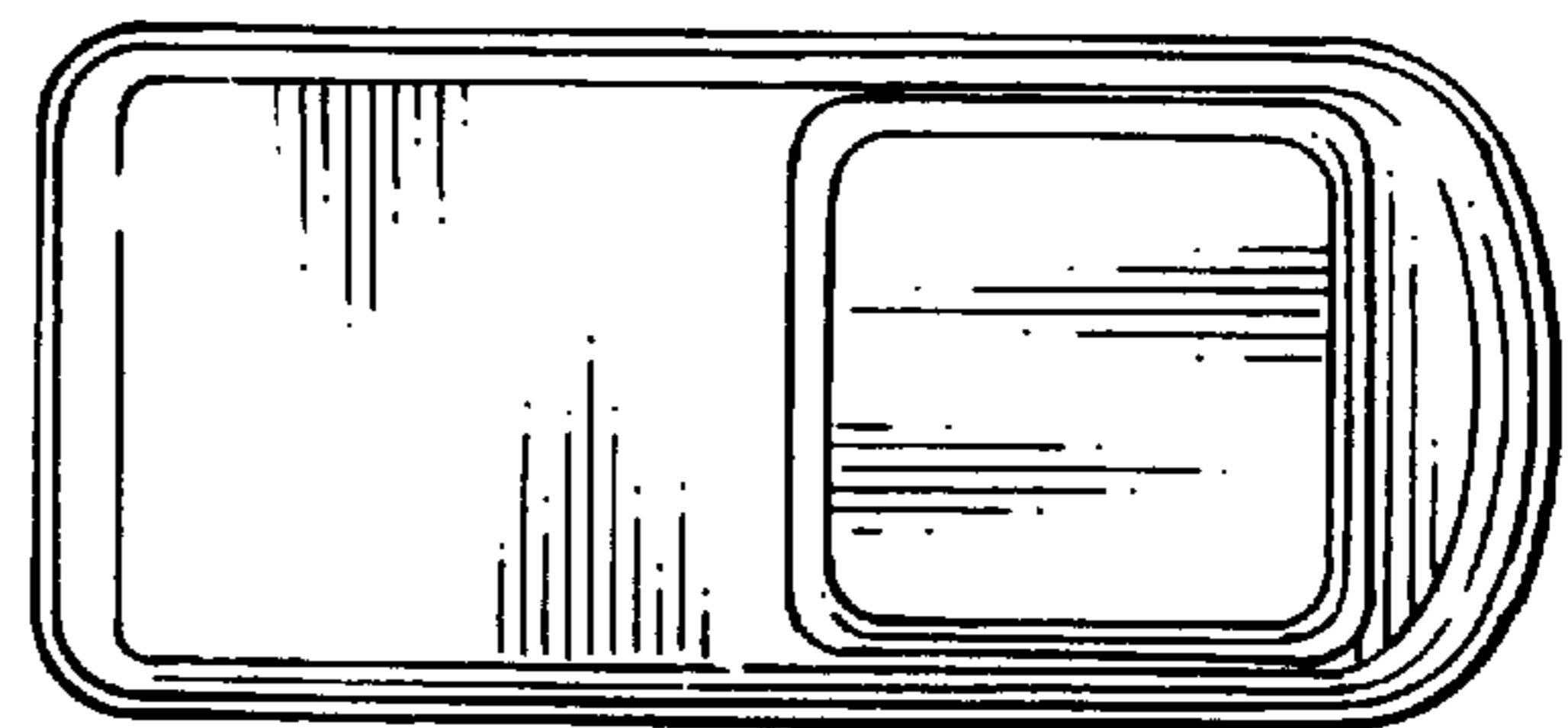


FIG. 2

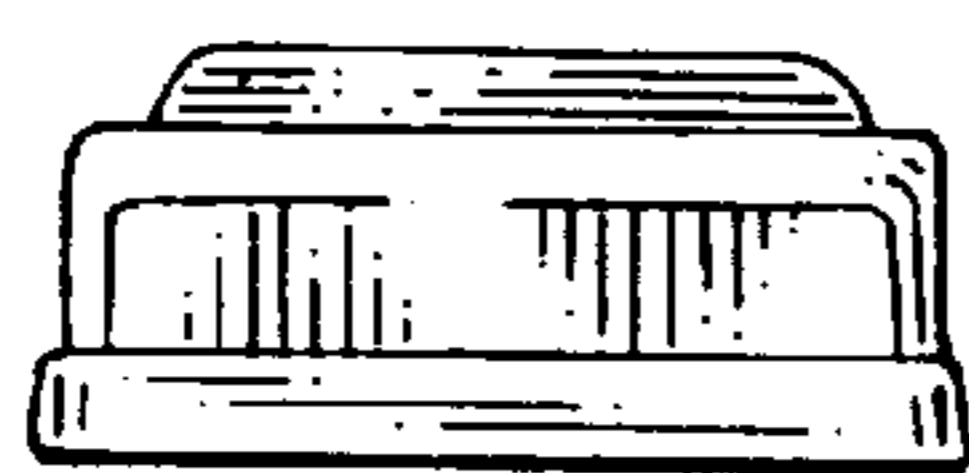


FIG. 3

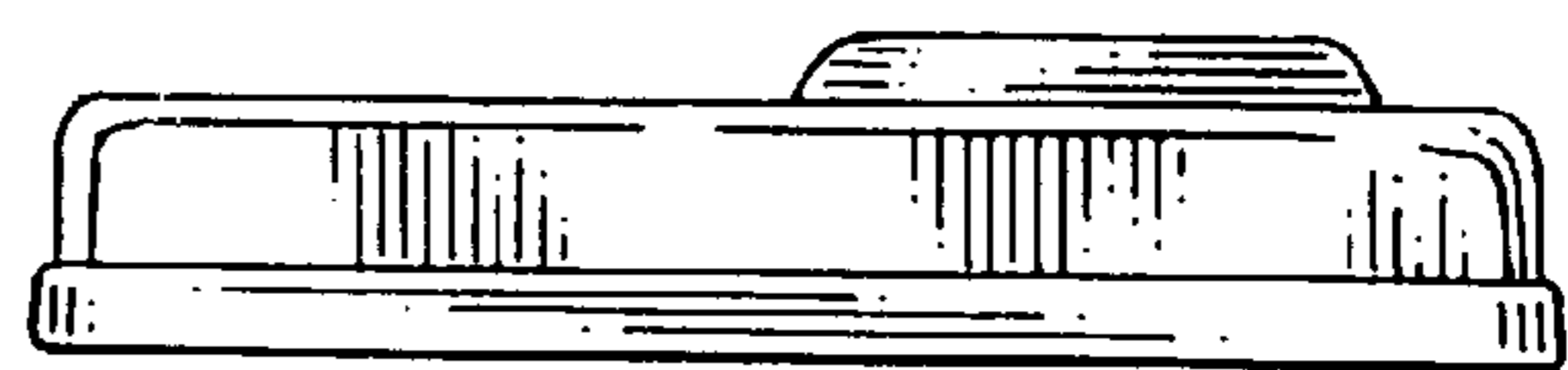


FIG. 4

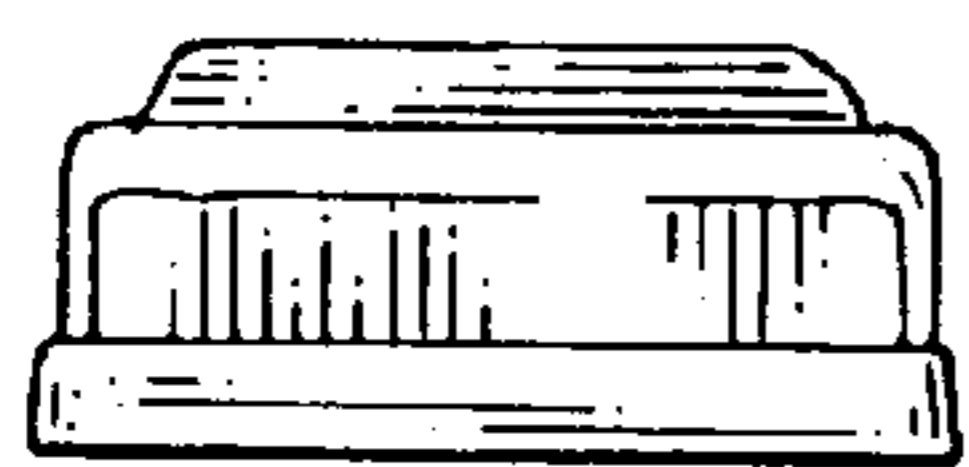


FIG. 5

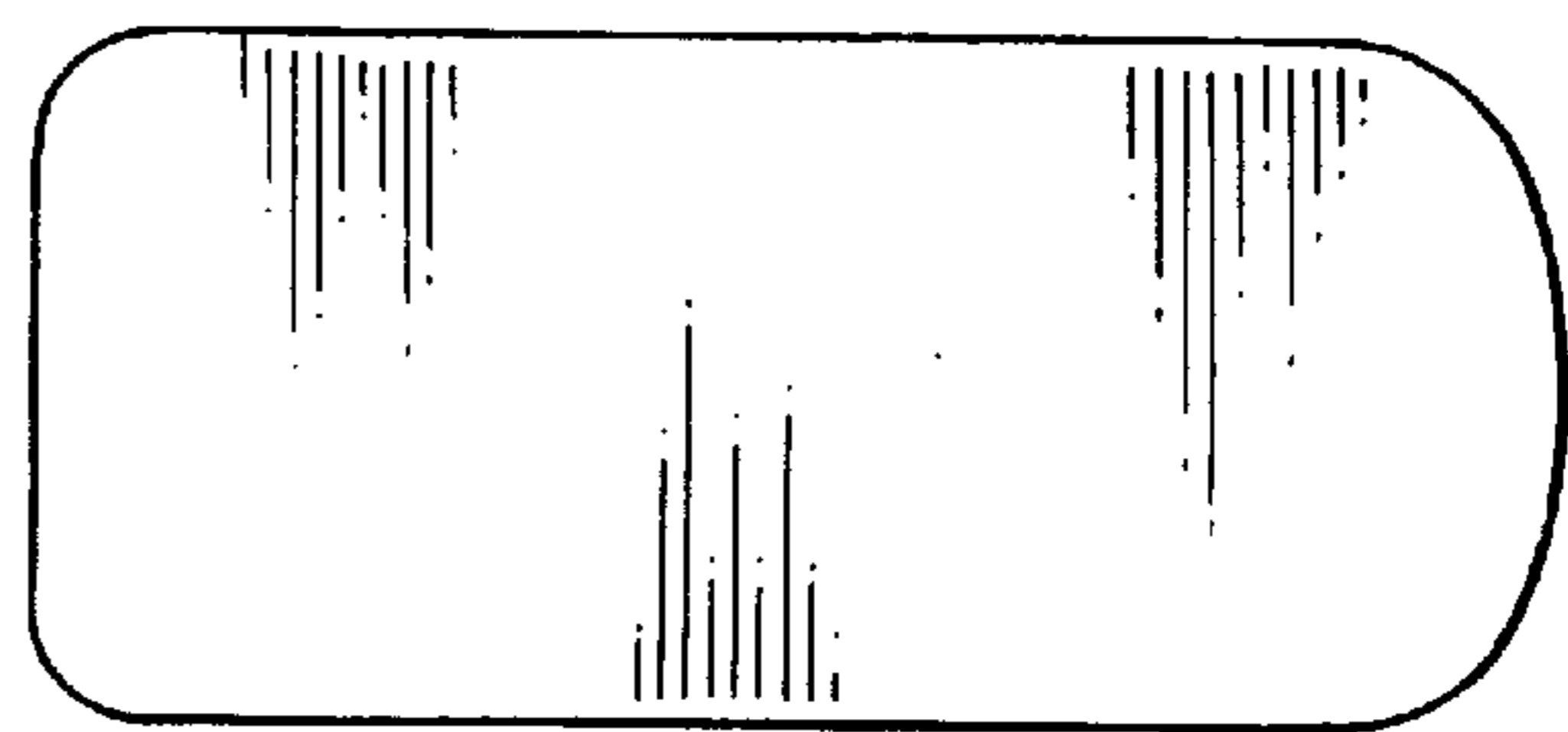


FIG. 6

UNITED STATES PATENT AND TRADEMARK OFFICE  
**CERTIFICATE OF CORRECTION**

PATENT NO. : Des. 415,497  
DATED : October 19, 1999  
INVENTOR(S) : Charles A. Seifert

It is certified that error appears in the above-identified patent and that said Letters Patent is hereby corrected as shown below:

On the title page [56] under "References Cited U.S. Patent Document",  
the fifth listing:

delete "5,517,410 5/1996" and insert --5,157,410 10/1992--

Signed and Sealed this  
Twenty-fourth Day of October, 2000

Attest:



Q. TODD DICKINSON

Attesting Officer

Director of Patents and Trademarks