



US00D415493S

United States Patent [19] Shieber

[11] **Patent Number: Des. 415,493**

[45] **Date of Patent: ** Oct. 19, 1999**

[54] **AUTOMOTIVE STEREO AMPLIFIER**

[75] Inventor: **Sidney D. Shieber**, San Mateo, Calif.

[73] Assignee: **Autotek Corporation**, Burlingame, Calif.

[**] Term: **14 Years**

[21] Appl. No.: **29/093,136**

[22] Filed: **Sep. 3, 1998**

[51] **LOC (6) Cl.** **14-03**

[52] **U.S. Cl.** **D14/188**

[58] **Field of Search** D14/124, 164,
D14/168, 188, 193-198; 455/344, 347,
350, 351

[56] **References Cited**

U.S. PATENT DOCUMENTS

D. 326,453	5/1992	Hayashi	D14/164 X
D. 343,838	2/1994	Frank et al.	D14/198
D. 379,174	5/1997	Kornablum et al.	D14/188 X

Primary Examiner—Ted Shooman
Assistant Examiner—Nanda Bondade

Attorney, Agent, or Firm—Claude A. S. Hamrick;
Oppenheimer W Donnelly

[57] **CLAIM**

The ornamental design for an automotive stereo amplifier, as shown and described.

DESCRIPTION

FIG. 1 is a left isometric view showing the ornamental appearance of my automotive stereo amplifier;

FIG. 2 is a left side elevational view of the automotive stereo amplifier depicted in FIG. 1;

FIG. 3 is a right side elevational view of the automotive stereo amplifier depicted in FIG. 1;

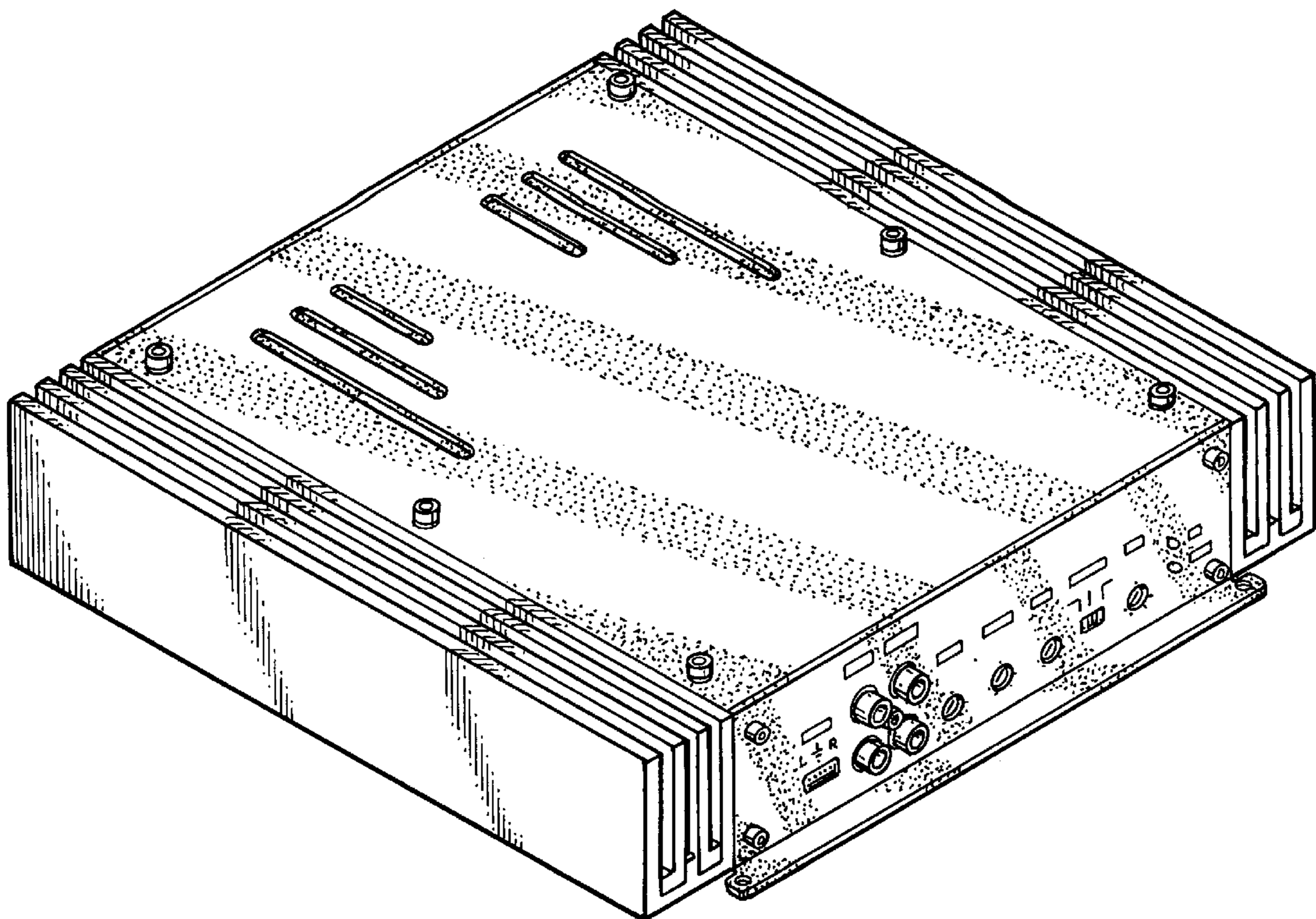
FIG. 4 is a front elevational view of the automotive stereo amplifier depicted in FIG. 1;

FIG. 5 is a rear elevational view of the automotive stereo amplifier depicted in FIG. 1;

FIG. 6 is a top plan view of the automotive stereo amplifier depicted in FIG. 1; and,

FIG. 7 is a bottom plan view of the automotive stereo amplifier depicted in FIG. 1.

1 Claim, 2 Drawing Sheets



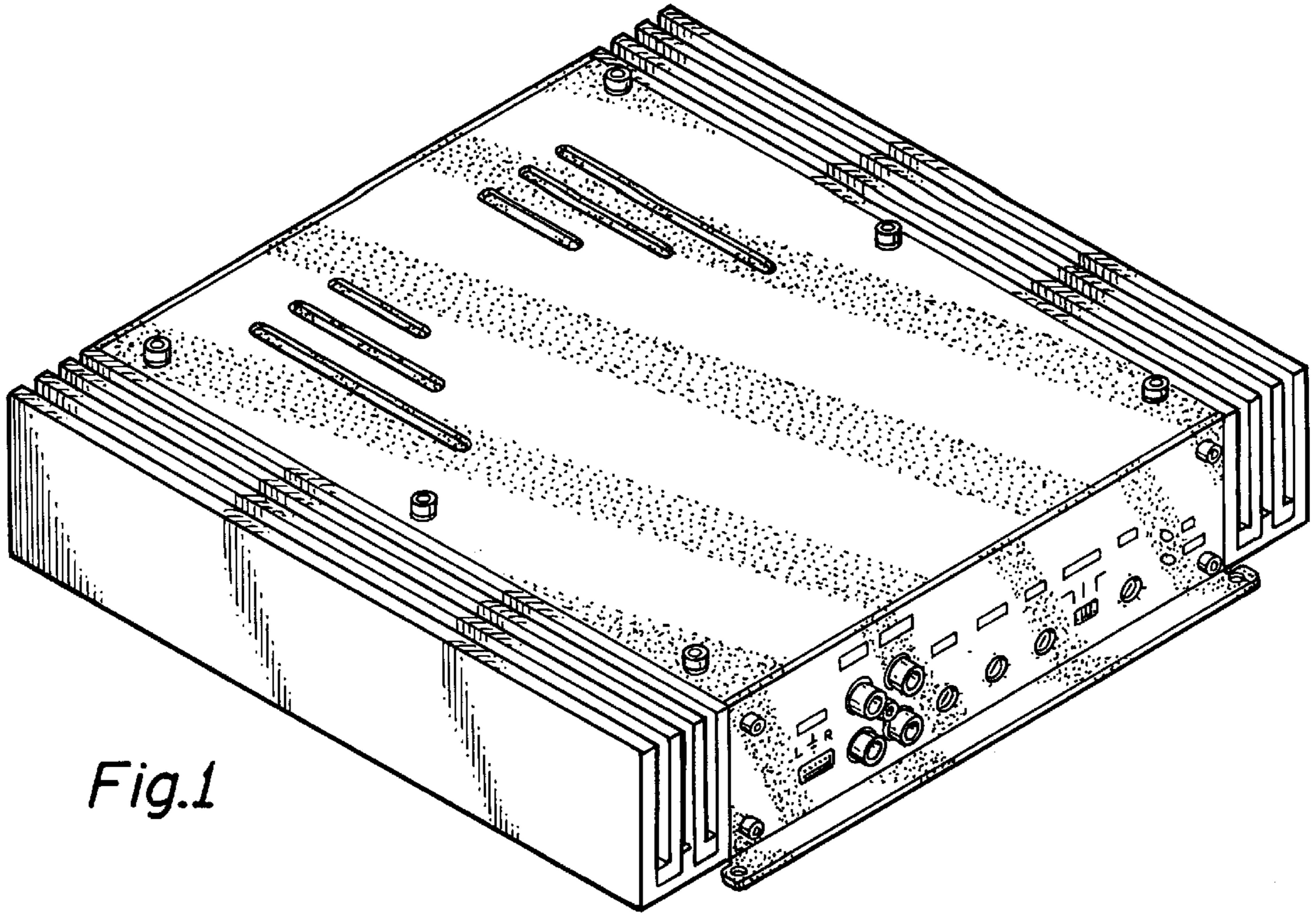


Fig.1

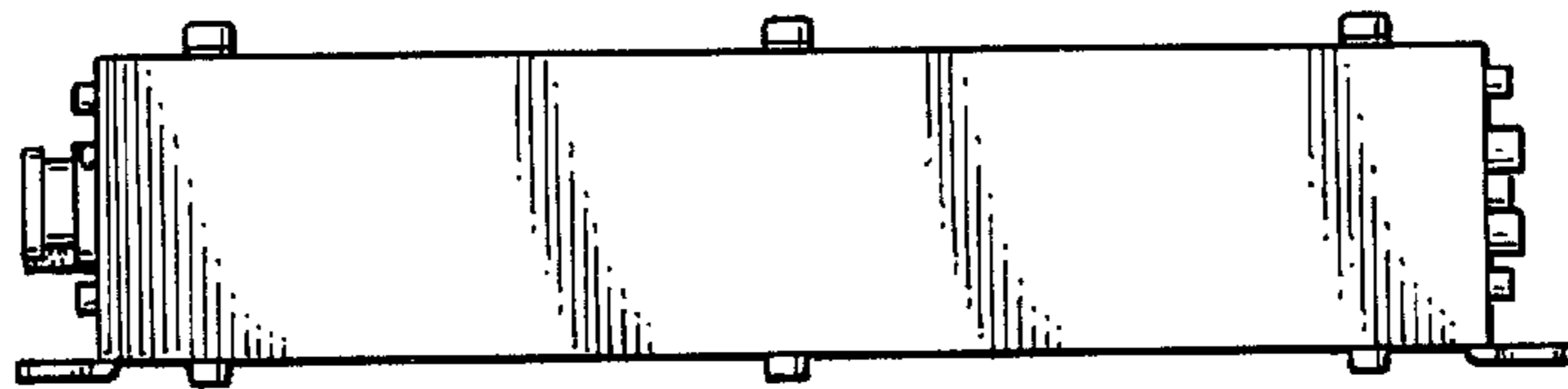


Fig.2

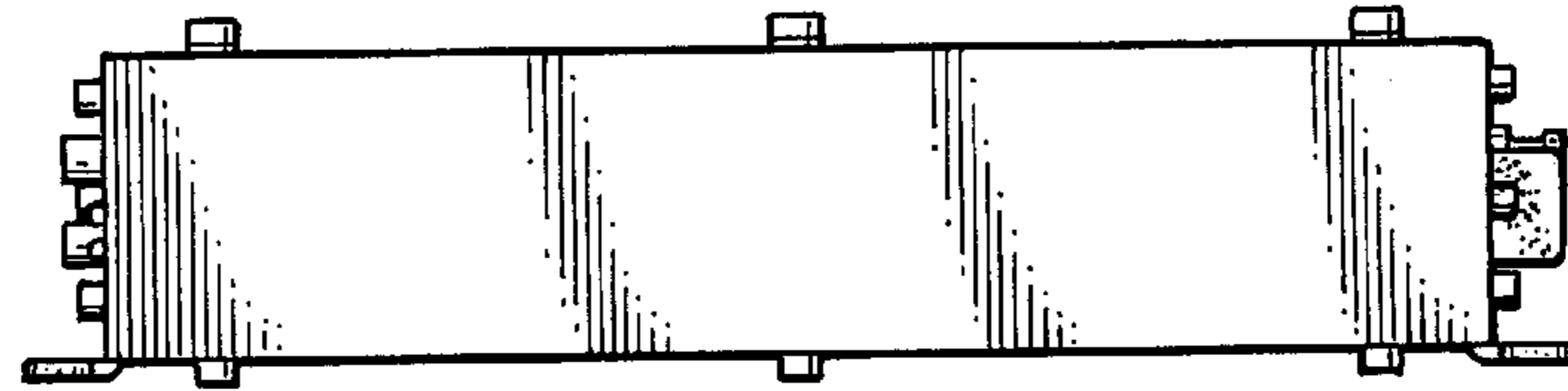


Fig.3

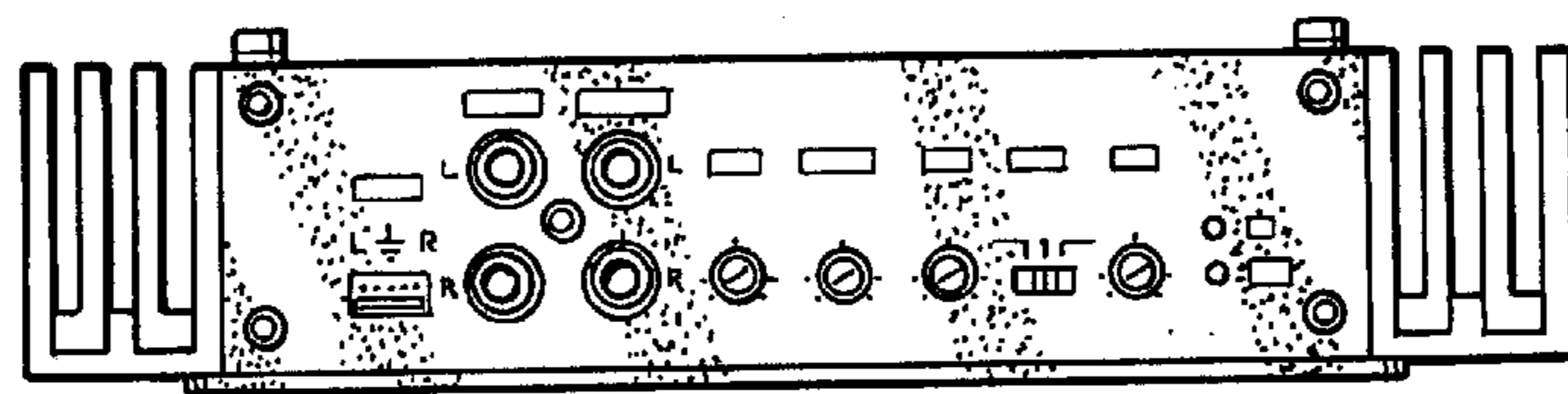


Fig.4

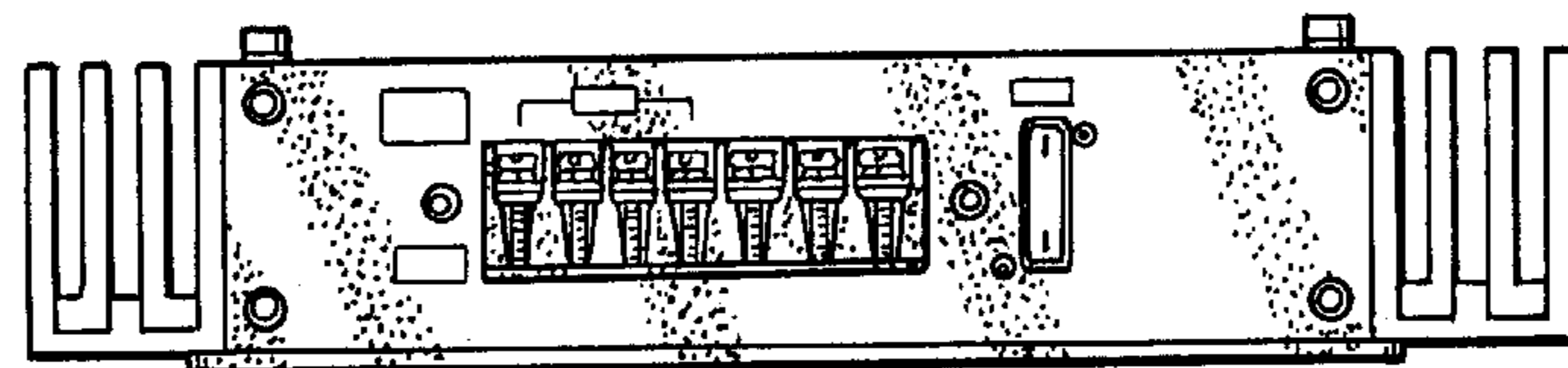


Fig.5

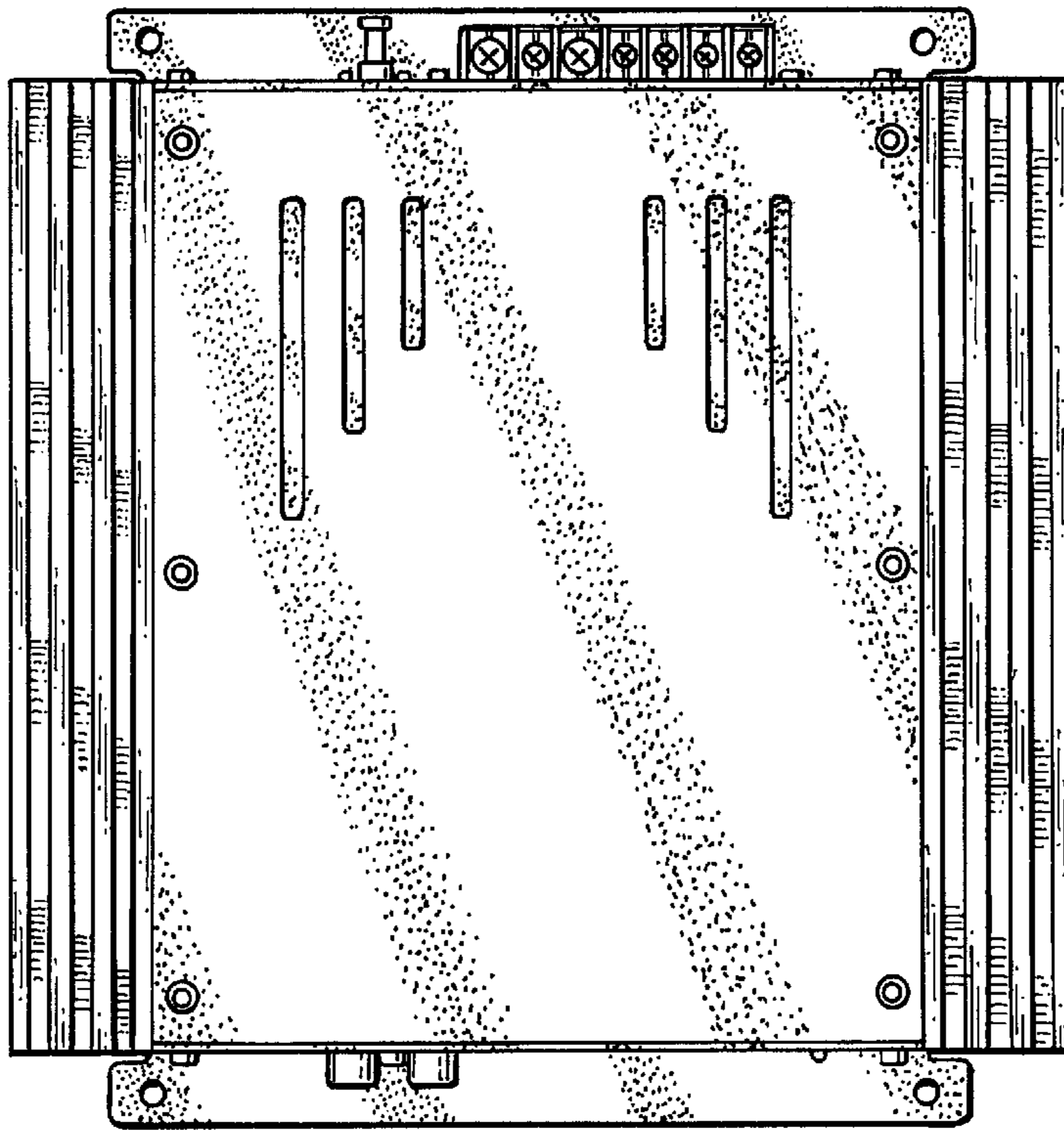


Fig.6

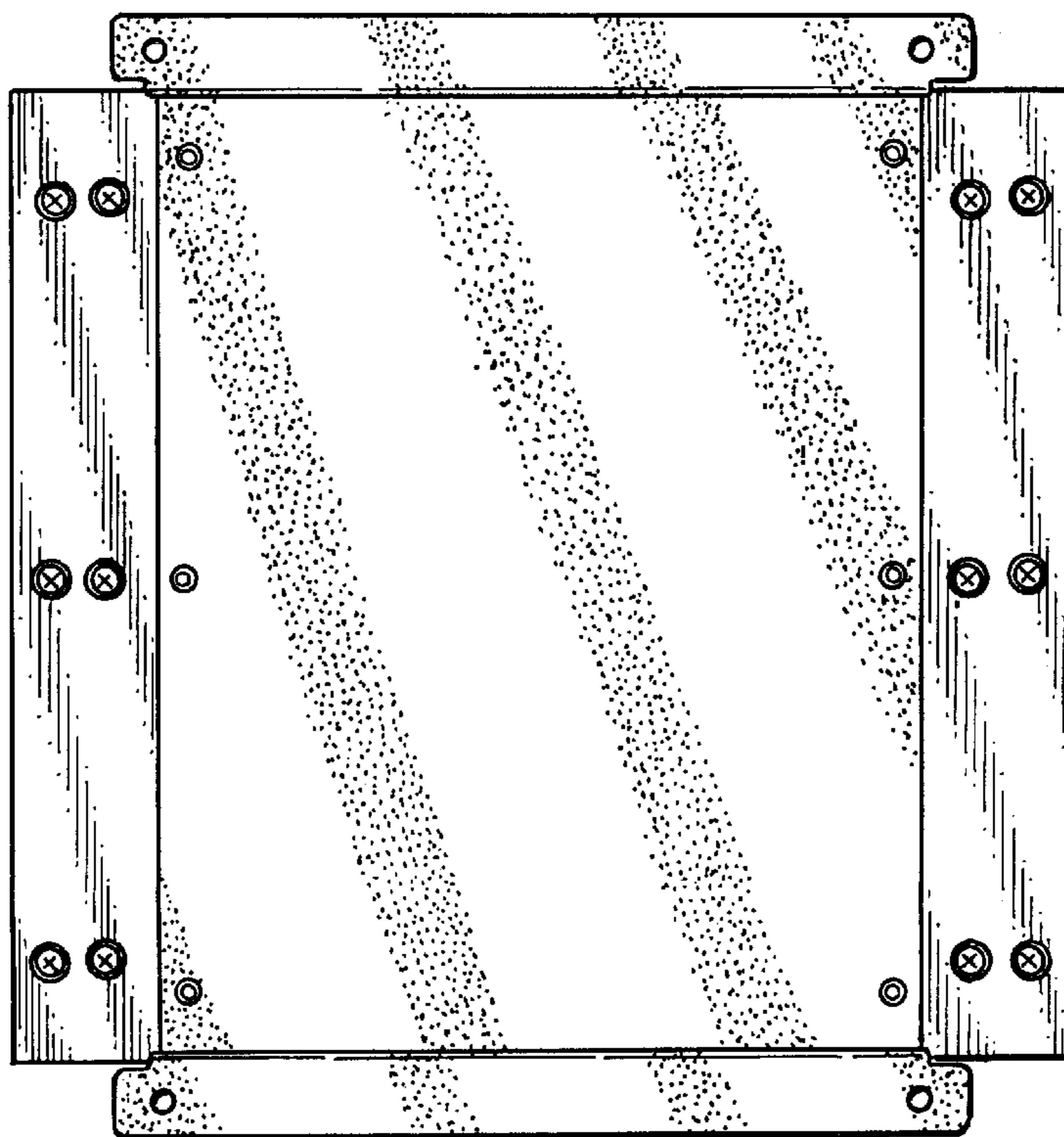


Fig.7