



US00D415492S

United States Patent [19]
Metzler

[11] **Patent Number: Des. 415,492**

[45] **Date of Patent: ** Oct. 19, 1999**

[54] **RADIO CABINET**

[75] Inventor: **Marvin J. Metzler**, Elkhart, Ind.

[73] Assignee: **Mito Corporation**, Elkhart, Ind.

[**] Term: **14 Years**

[21] Appl. No.: **29/078,596**

[22] Filed: **Oct. 28, 1997**

Related U.S. Application Data

[62] Division of application No. 29/070,967, May 20, 1997, Pat. No. Des. 401,240.

[51] **LOC (6) Cl.** **14-03**

[52] **U.S. Cl.** **D14/188; D14/157; D14/258**

[58] **Field of Search** D14/154, 157, D14/162, 164, 168, 188, 192-198, 257, 258, 265; 455/344, 347, 350, 351

[56] **References Cited**

U.S. PATENT DOCUMENTS

- D. 304,194 10/1989 Fuller et al. D14/257
- D. 308,382 6/1990 Moore et al. D14/258
- D. 311,920 11/1990 Fuller et al. D14/257
- D. 327,270 6/1992 Metzler D14/265

- D. 355,654 2/1995 Koulopoulos D14/188
- 4,758,910 7/1988 Kanko et al. D14/157 X

Primary Examiner—Nanda Bondade
Attorney, Agent, or Firm—Baker & Daniels

[57] **CLAIM**

The ornamental design for a radio cabinet, as shown and described.

DESCRIPTION

FIG. 1 is a front perspective view of a radio cabinet showing my new design;

FIG. 2 is an enlarged front elevational view thereof;

FIG. 3 is a top plan view thereof;

FIG. 4 is a left side elevational view thereof;

FIG. 5 is a right side elevational view thereof;

FIG. 6 is a bottom plan view thereof;

FIG. 7 is a front perspective view of a second embodiment of FIG. 1;

FIG. 8 is an enlarged front elevational view thereof;

FIG. 9 is a top plan view thereof;

FIG. 10 is a left side elevational view thereof;

FIG. 11 is a right side elevational view thereof; and,

FIG. 12 is a bottom plan view thereof.

The backs of each of the embodiments being unornamented.

1 Claim, 6 Drawing Sheets

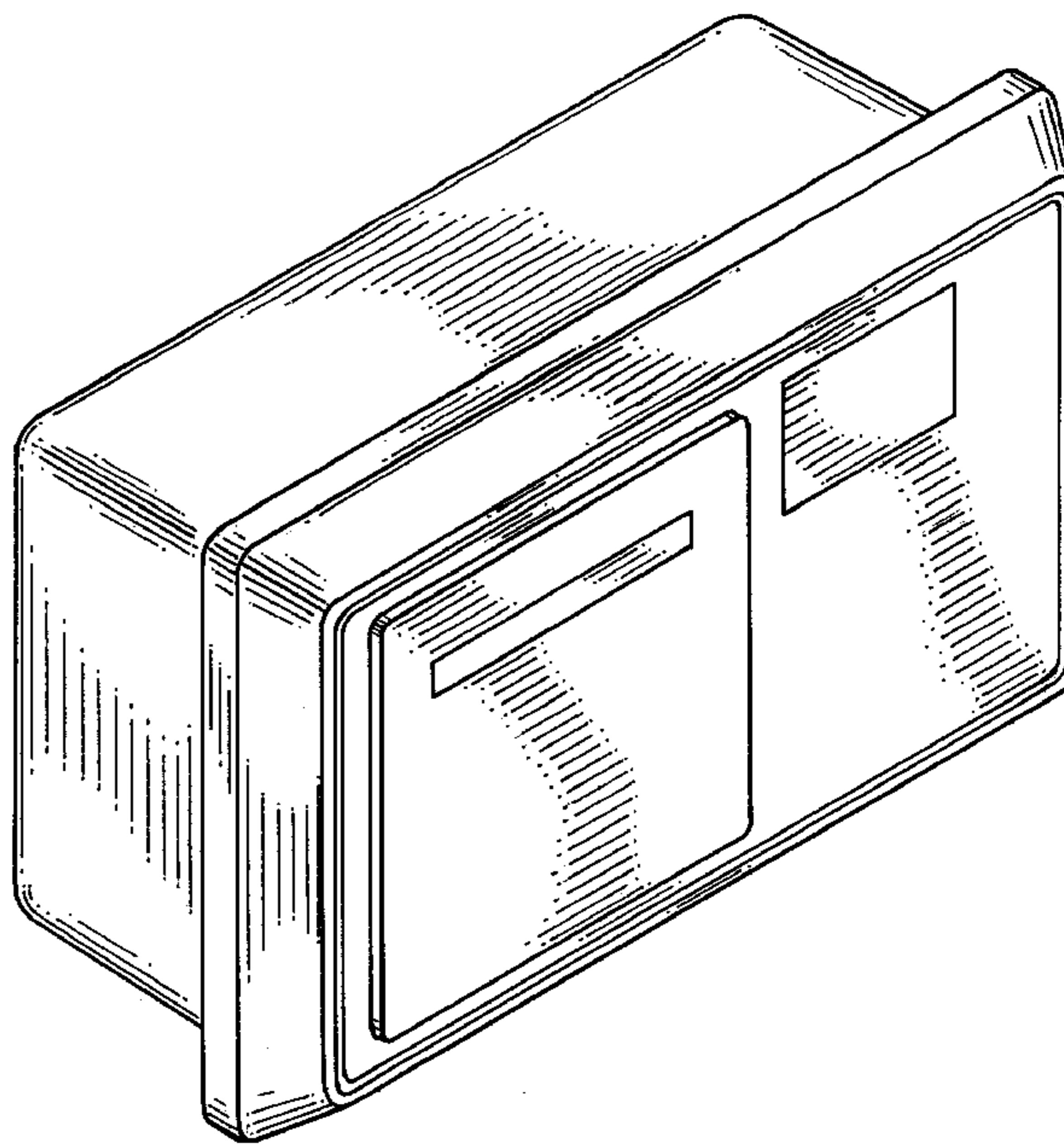
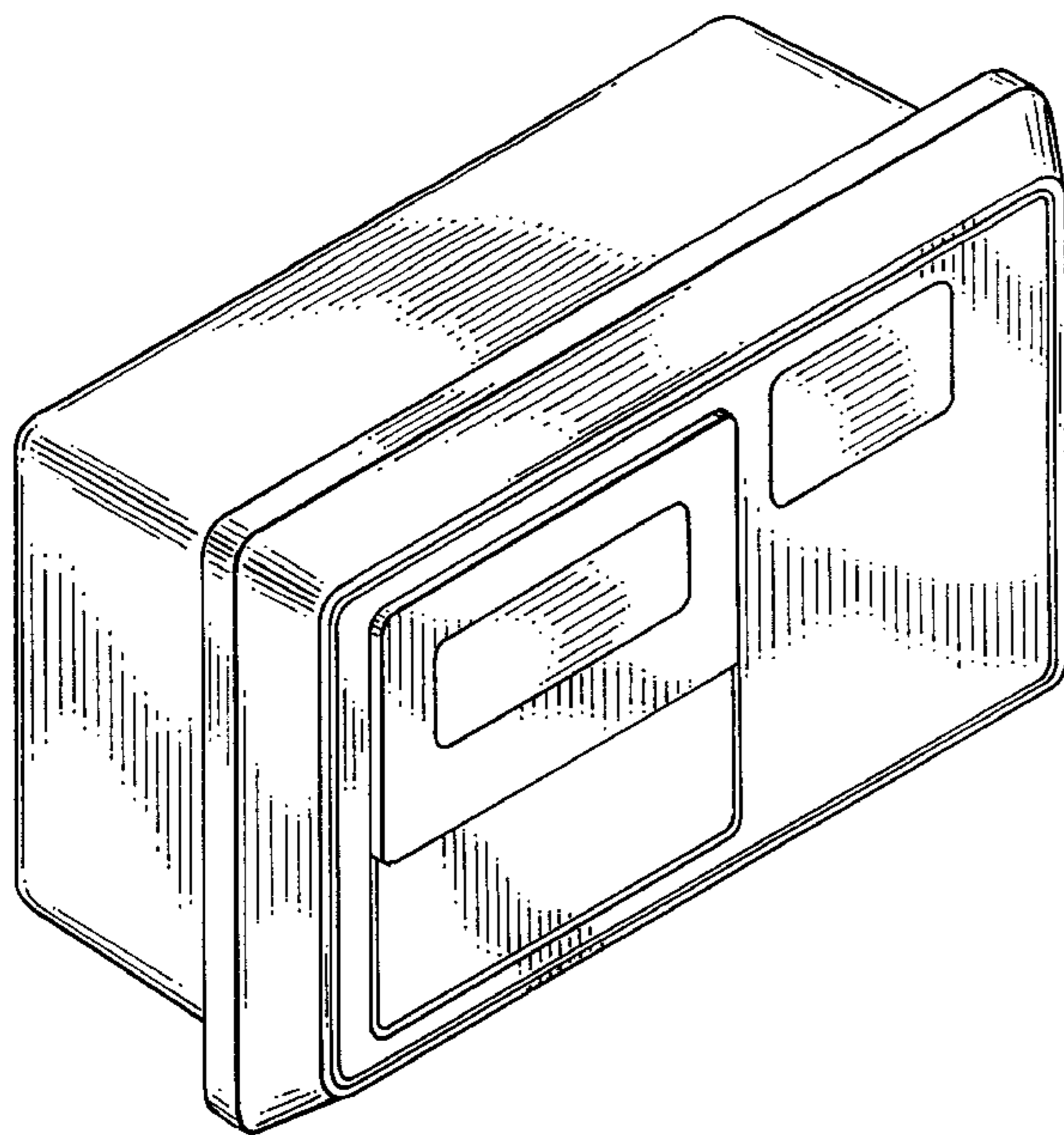


FIG.1

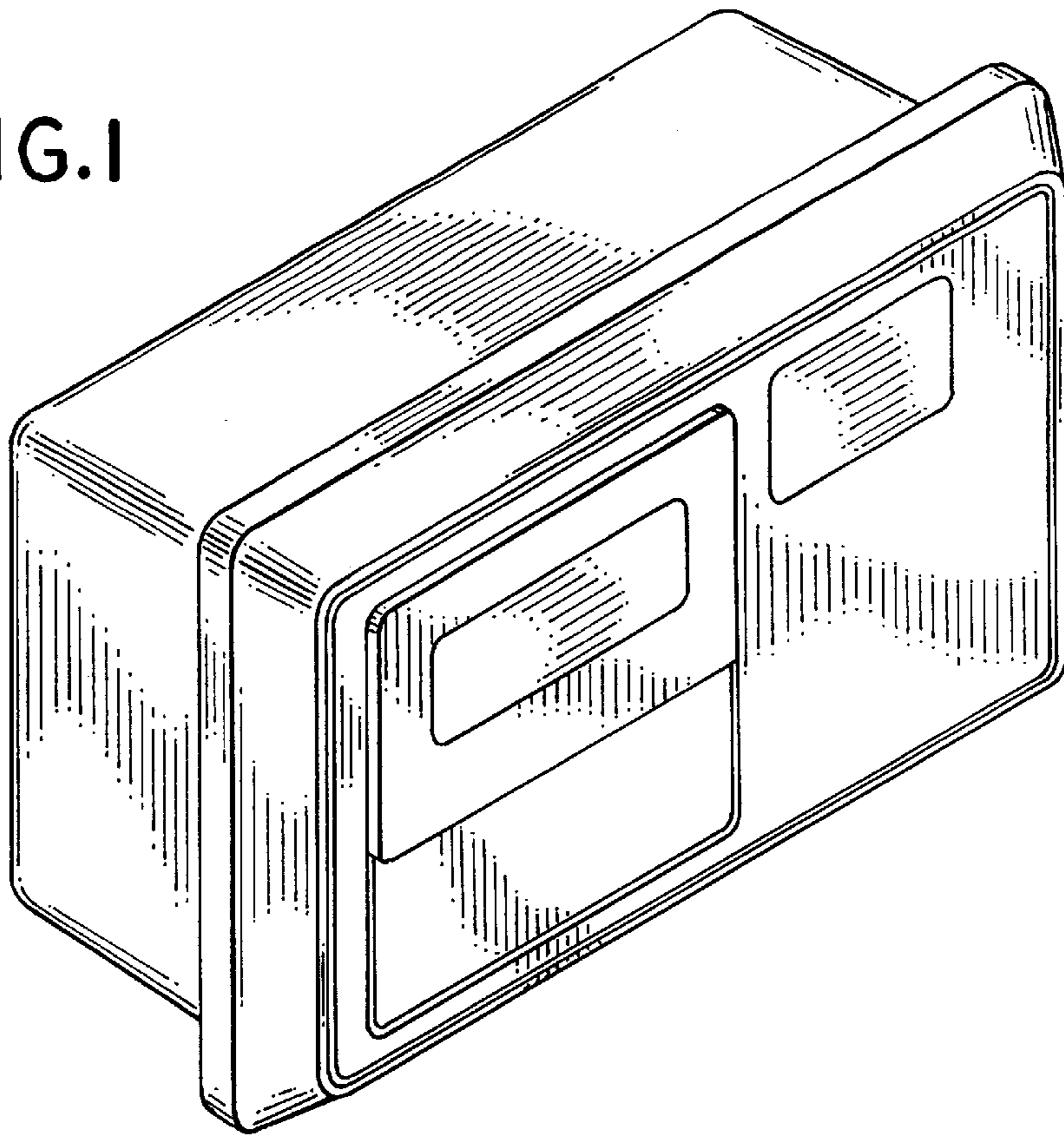


FIG.2

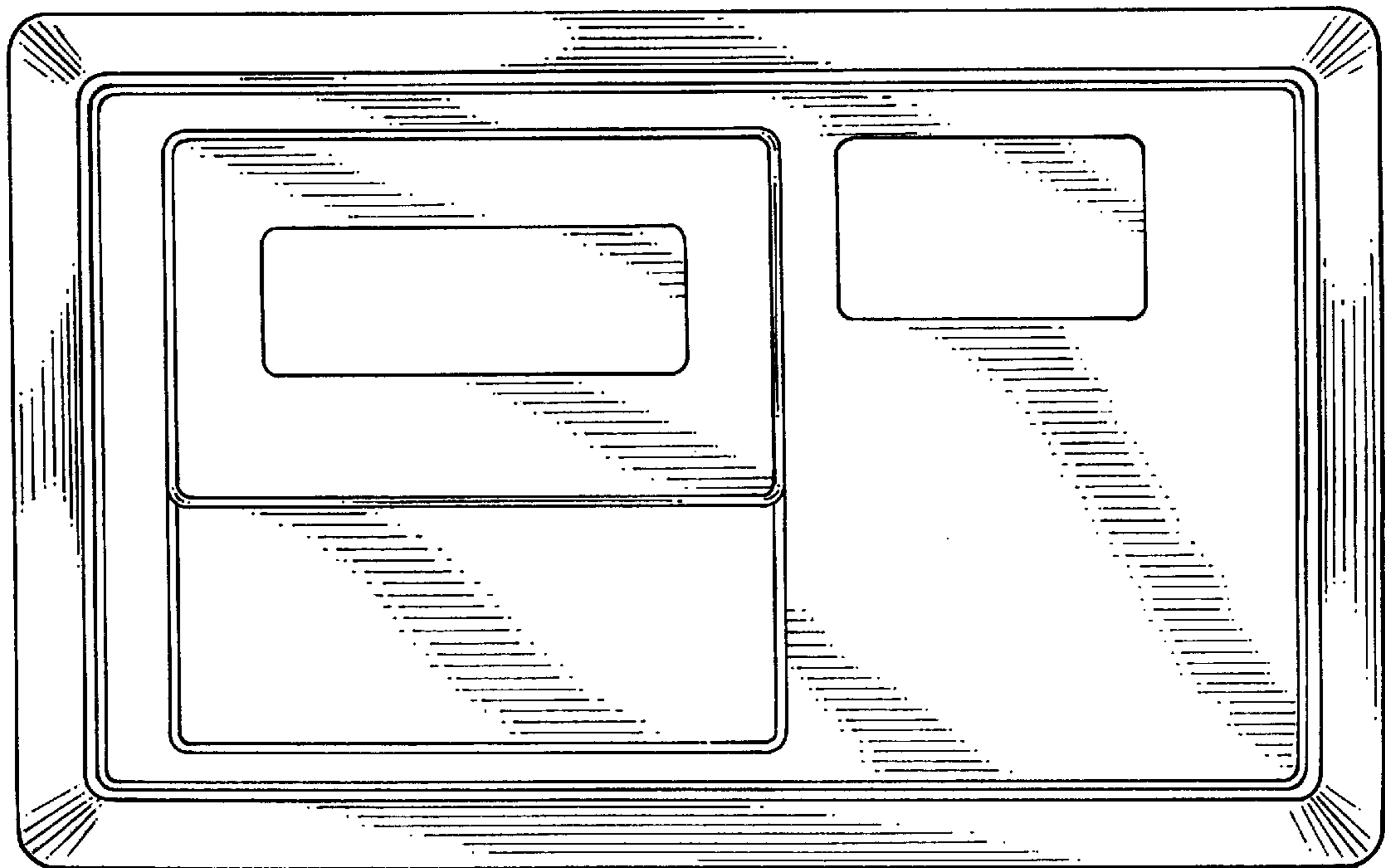


FIG. 3

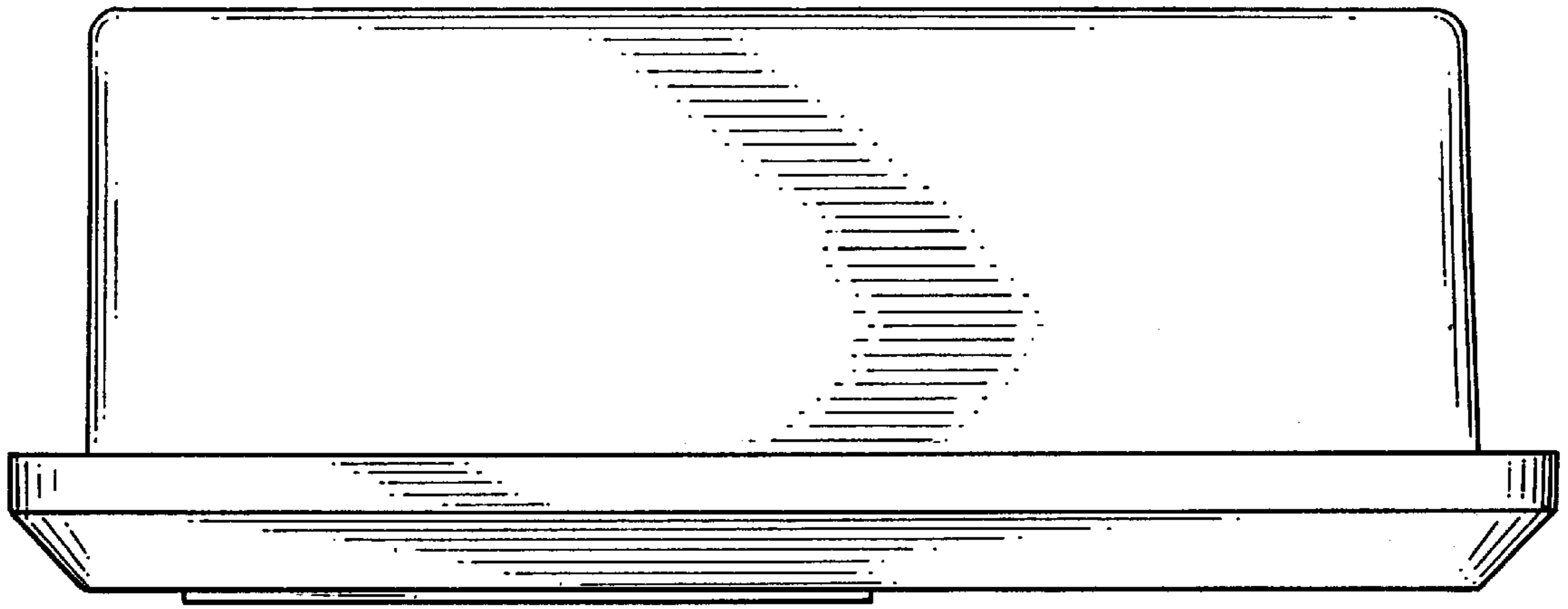


FIG. 4

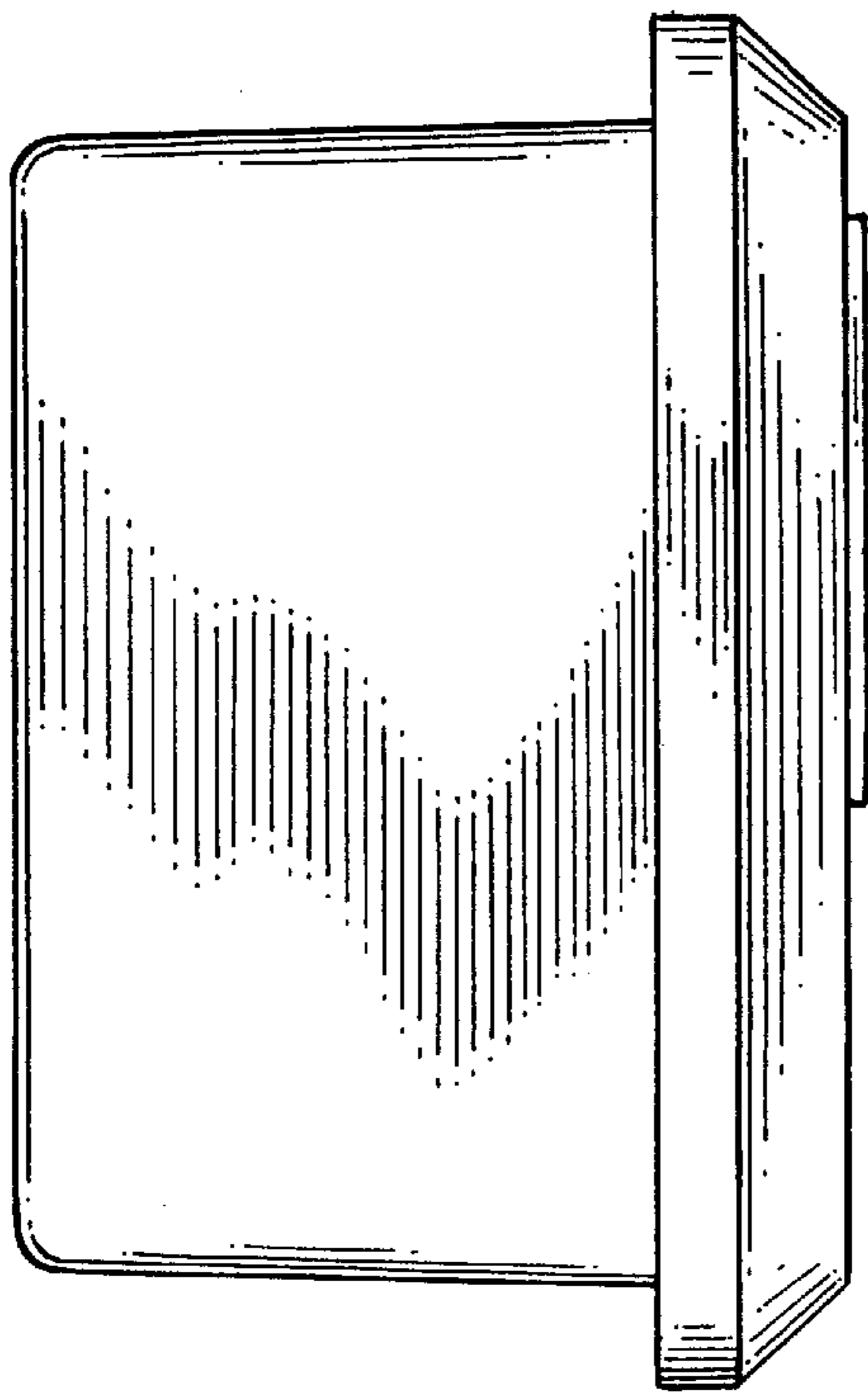
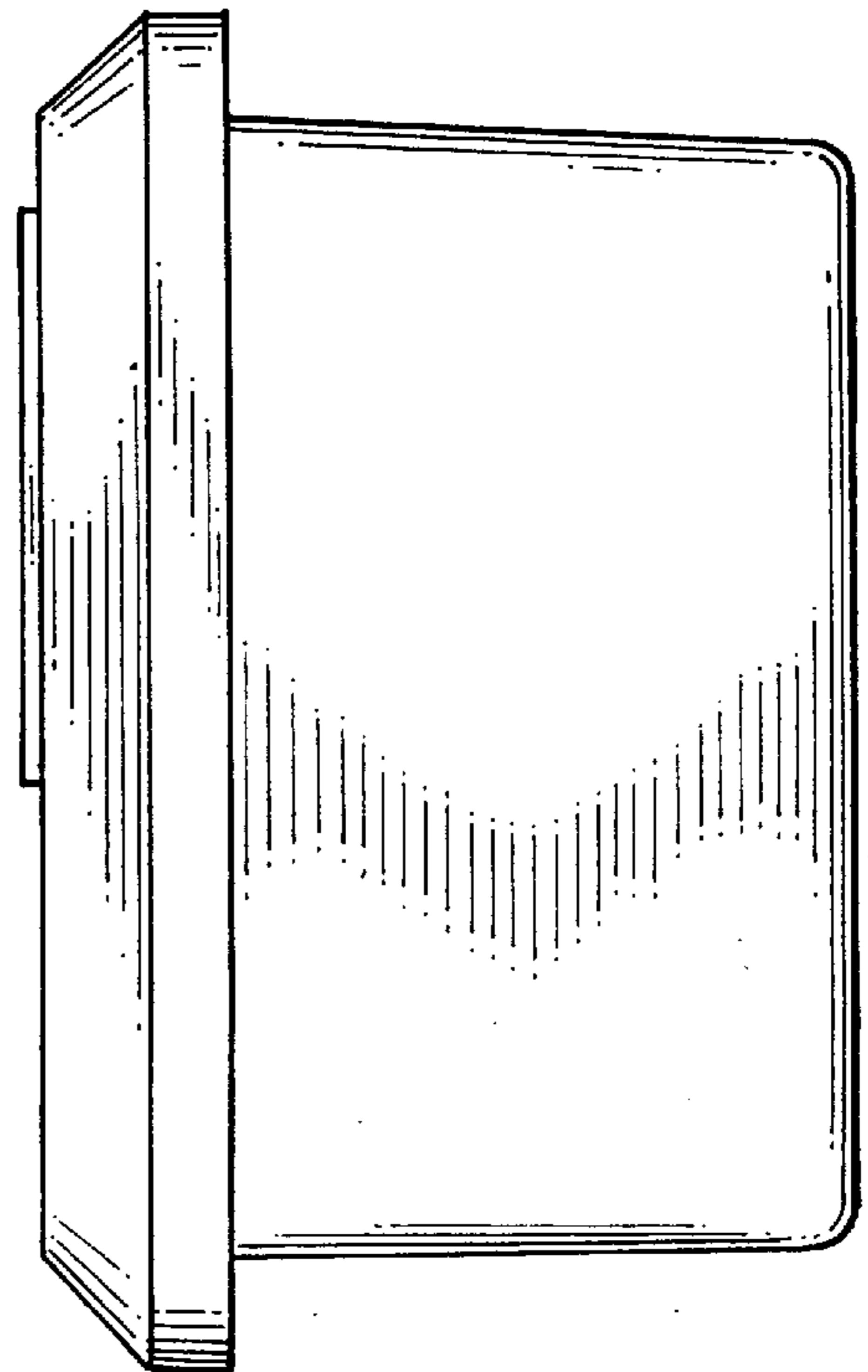


FIG. 5



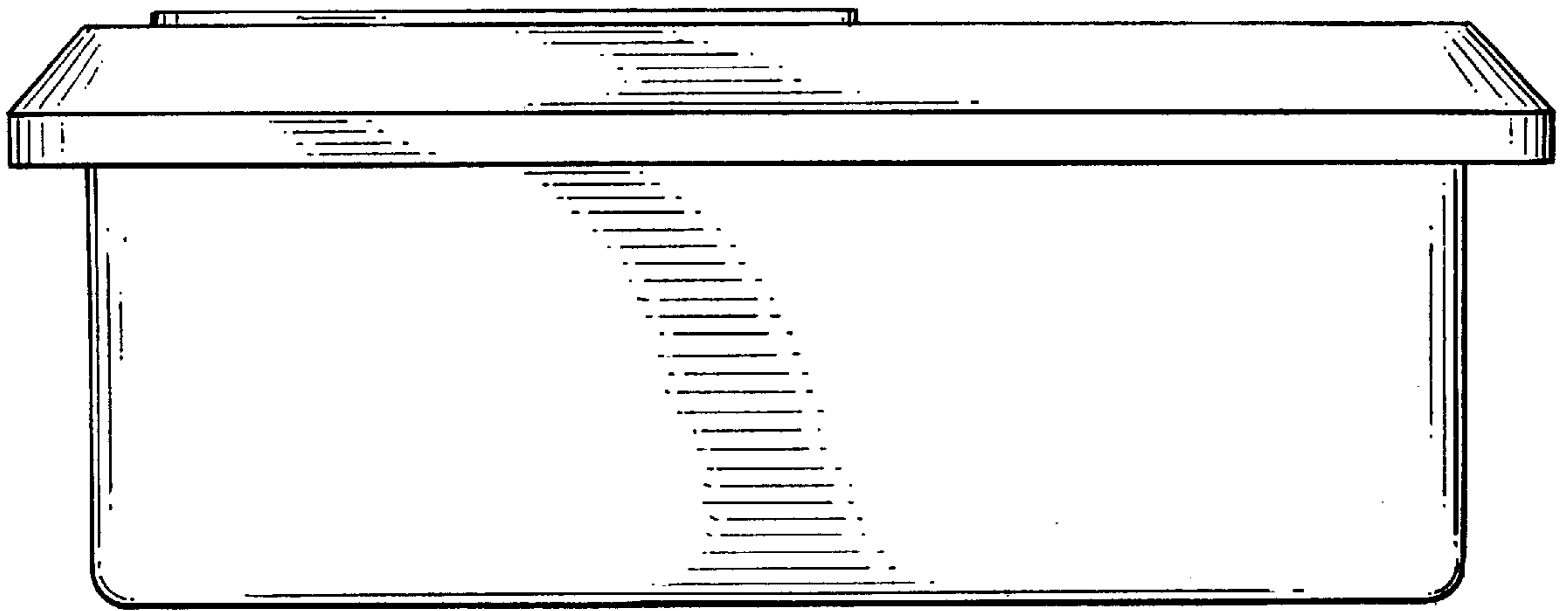


FIG.6

FIG. 7

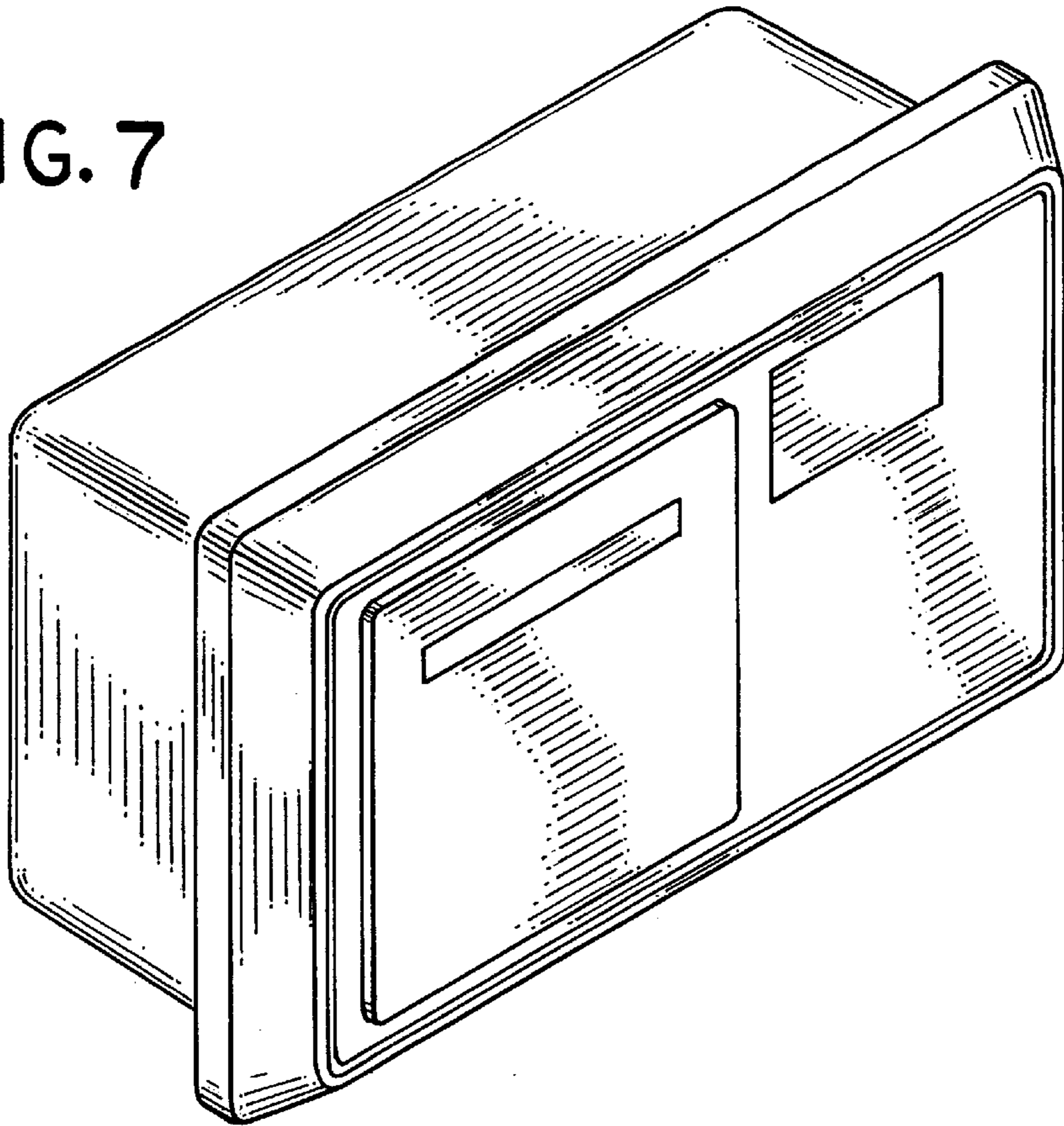


FIG. 8

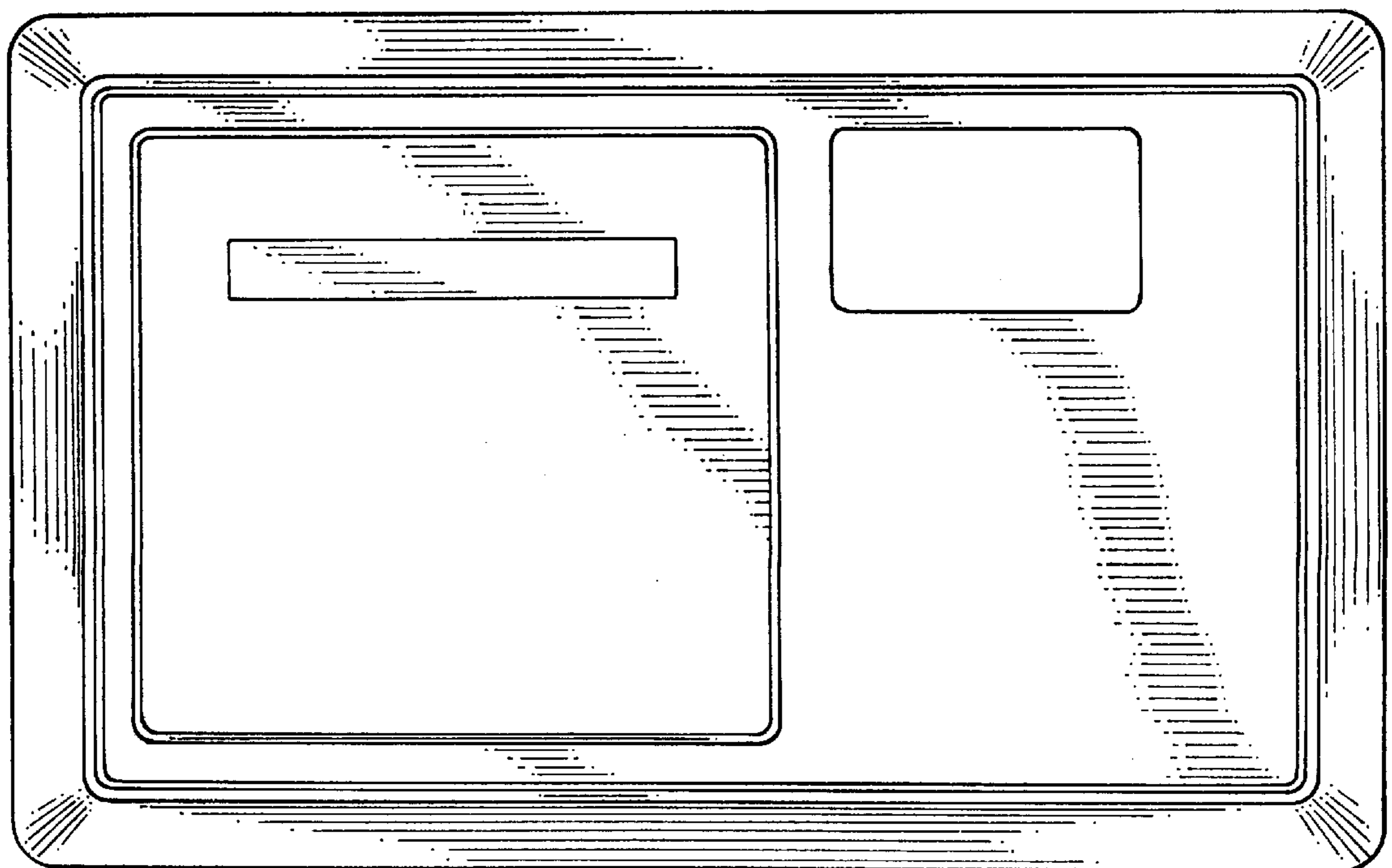


FIG. 9

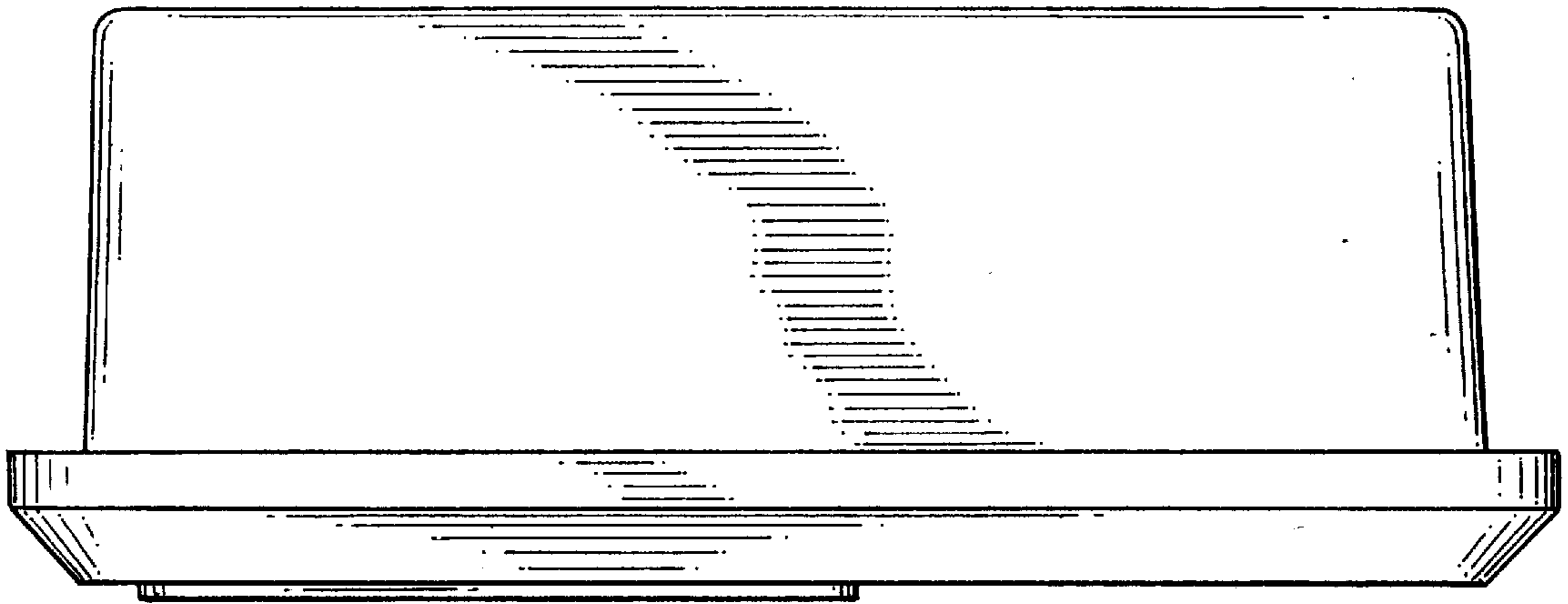


FIG. 10

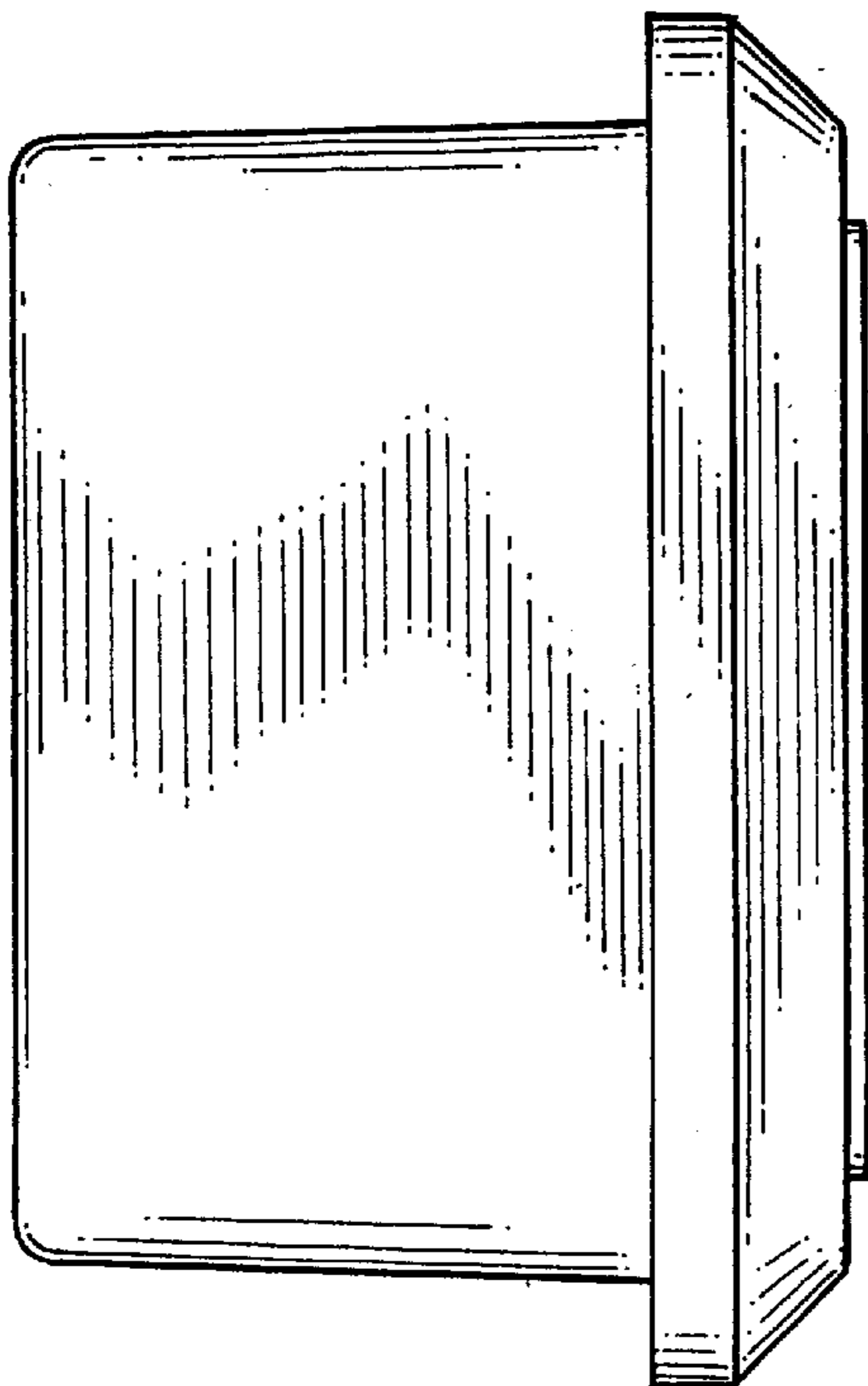
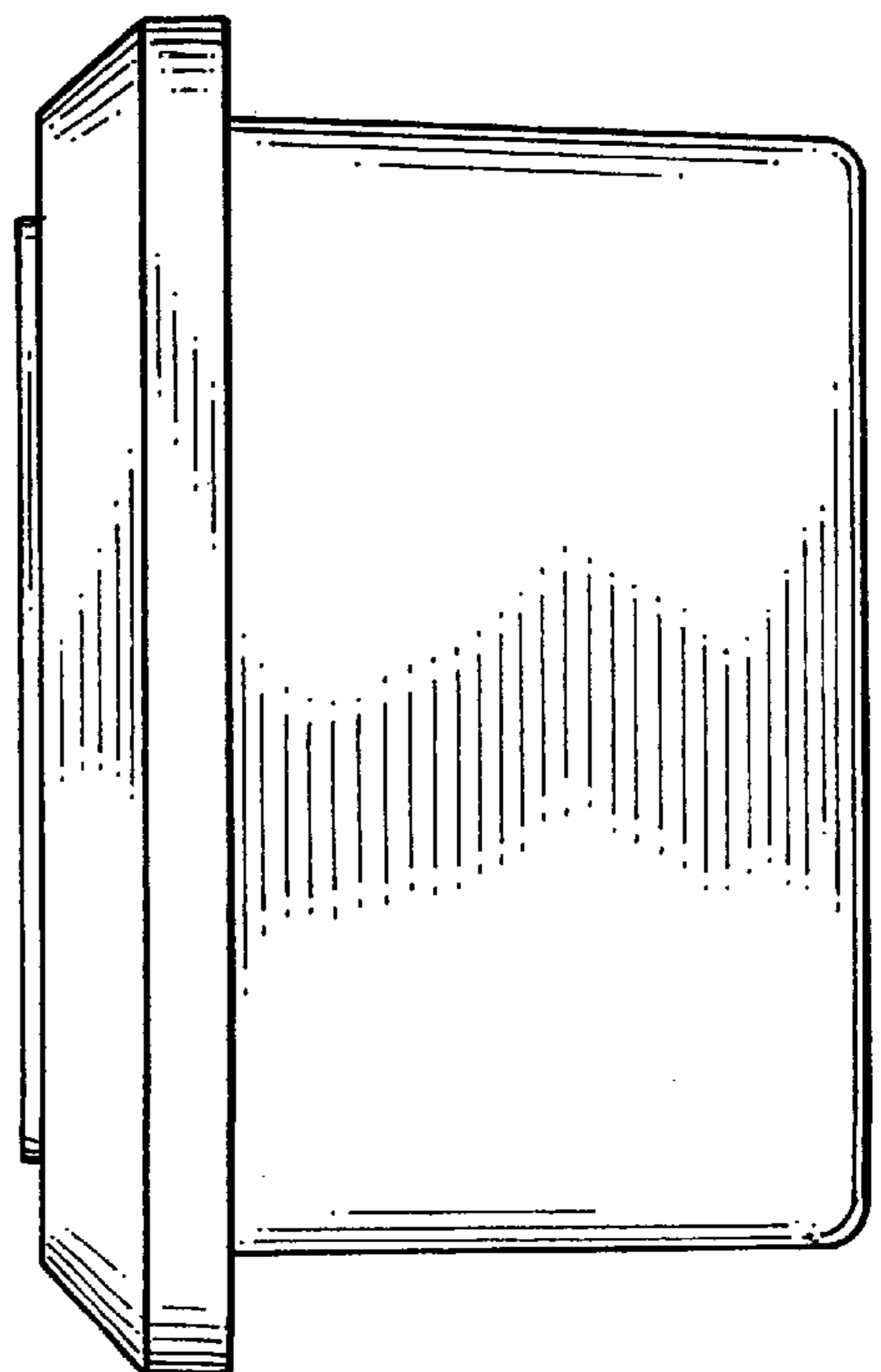


FIG. 11



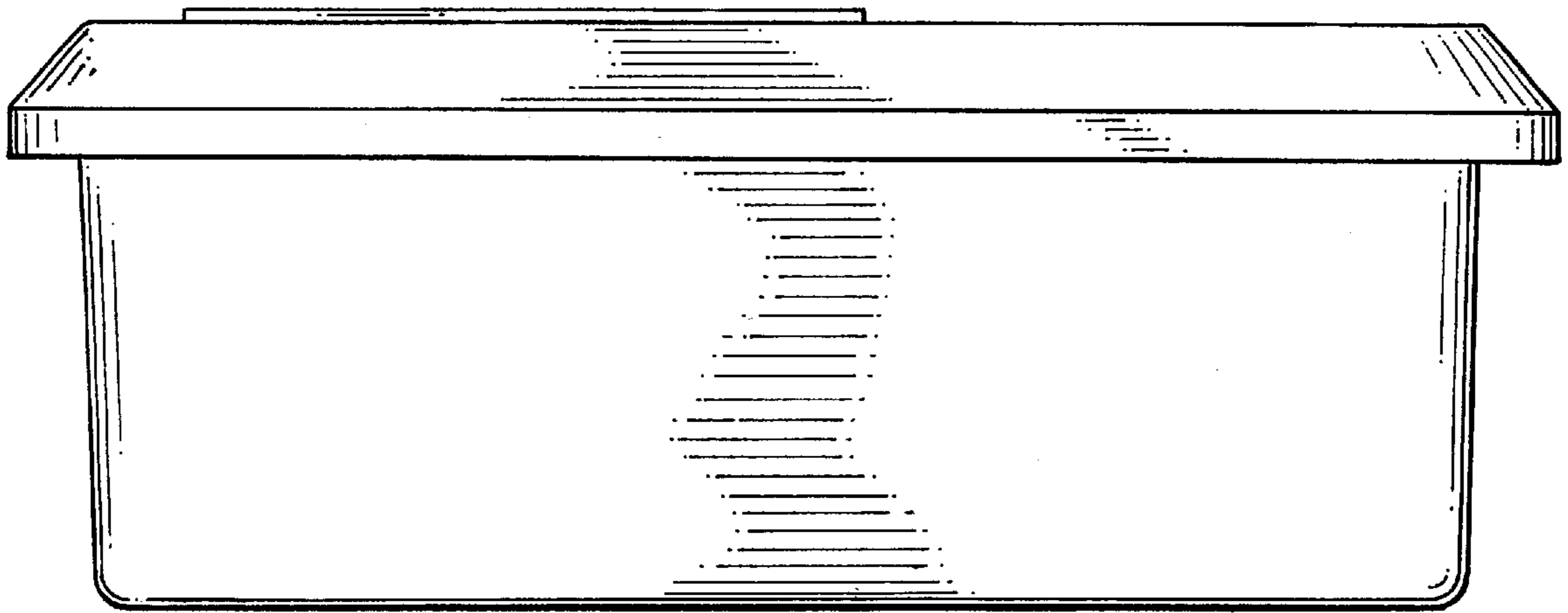


FIG.12