



US00D415485S

United States Patent [19]

Leifer et al.

[11] Patent Number: Des. 415,485

[45] Date of Patent: ** Oct. 19, 1999

[54] CONTROLLER FOR A GAME MACHINE

[75] Inventors: Richard Leifer, Melville; Gabe Neiser, Dix Hills, both of N.Y.

[73] Assignee: Arista Interactive LLC, Hauppauge, N.Y.

[**] Term: 14 Years

[21] Appl. No.: 29/090,554

[22] Filed: Jul. 9, 1998

[51] LOC (6) Cl. 14-02

[52] U.S. Cl. D14/117.1; D14/114

[58] Field of Search D14/117.1, 114; 273/148 B; 463/30-35, 37, 38, 46, 47; D21/324

[56] References Cited

U.S. PATENT DOCUMENTS

D. 376,826	12/1996	Ashida	D14/117.1
D. 380,238	6/1997	Tyler	D14/117.1
D. 394,885	6/1998	Chan	D14/117.1
D. 405,120	2/1999	Goto	D14/117.1
5,853,326	12/1998	Goto et al.	463/37

Primary Examiner—Kay H. Chin
Attorney, Agent, or Firm—Cooper & Dunham LLP

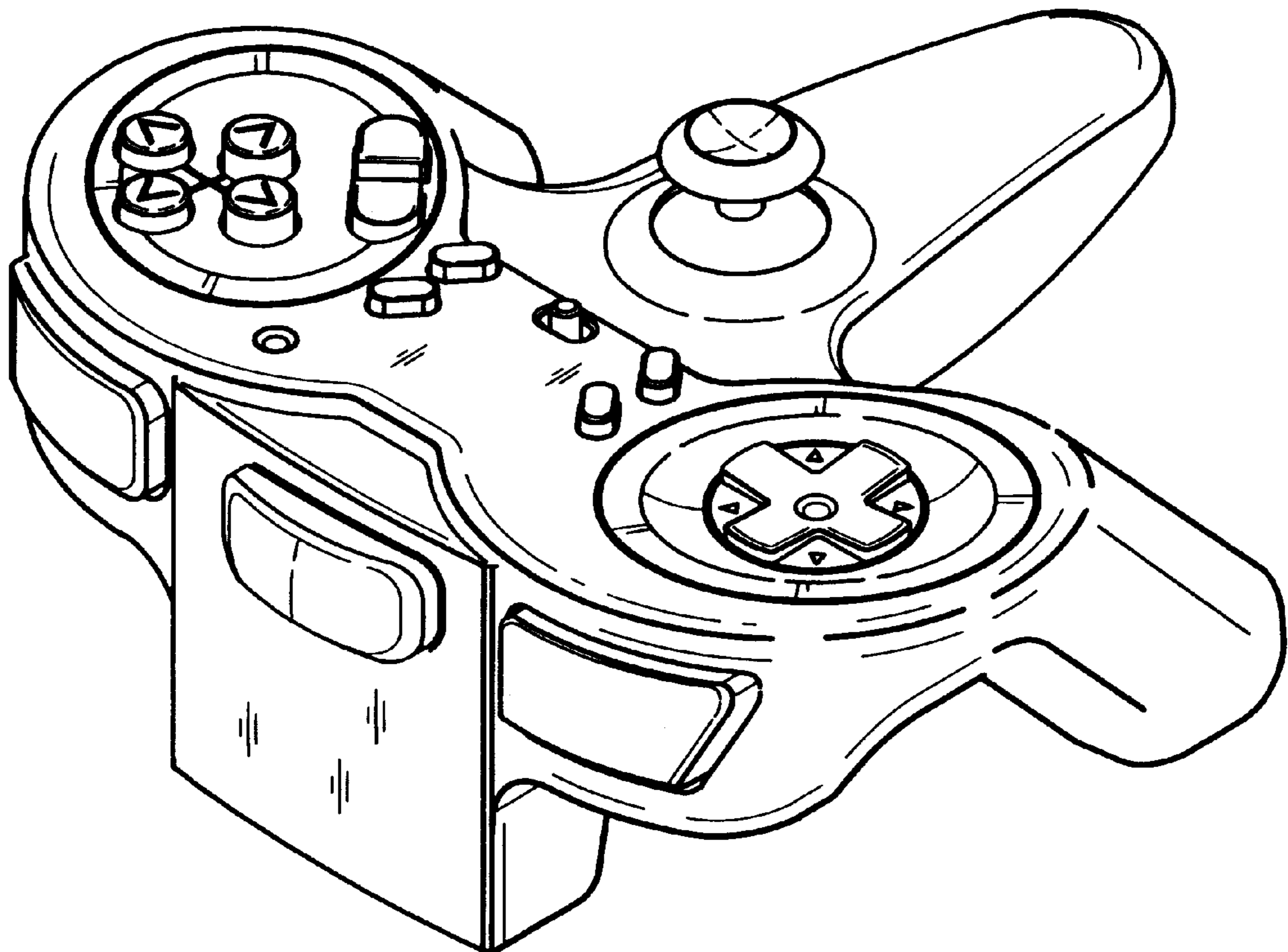
[57] CLAIM

The ornamental design for a controller for a game machine, as shown and described.

DESCRIPTION

FIG. 1 is a front perspective view of a controller for a game machine showing our new design; FIG. 2 is a top plan view of FIG. 1; FIG. 3 is a left side elevational view of FIG. 1; FIG. 4 is a right side elevational view of FIG. 1; FIG. 5 is a front elevational view of FIG. 1; FIG. 6 is a rear elevational view of FIG. 1; FIG. 7 is a bottom plan view of FIG. 1; FIG. 8 is a front perspective view of a second embodiment of the controller for a game machine; FIG. 9 is a top plan view of FIG. 8; FIG. 10 is a left side elevational view of FIG. 8; FIG. 11 is a right side elevational view of FIG. 8; FIG. 12 is a front elevational view of FIG. 8; FIG. 13 is a rear elevational view of FIG. 8; and, FIG. 14 is a bottom plan view of FIG. 8.

1 Claim, 10 Drawing Sheets



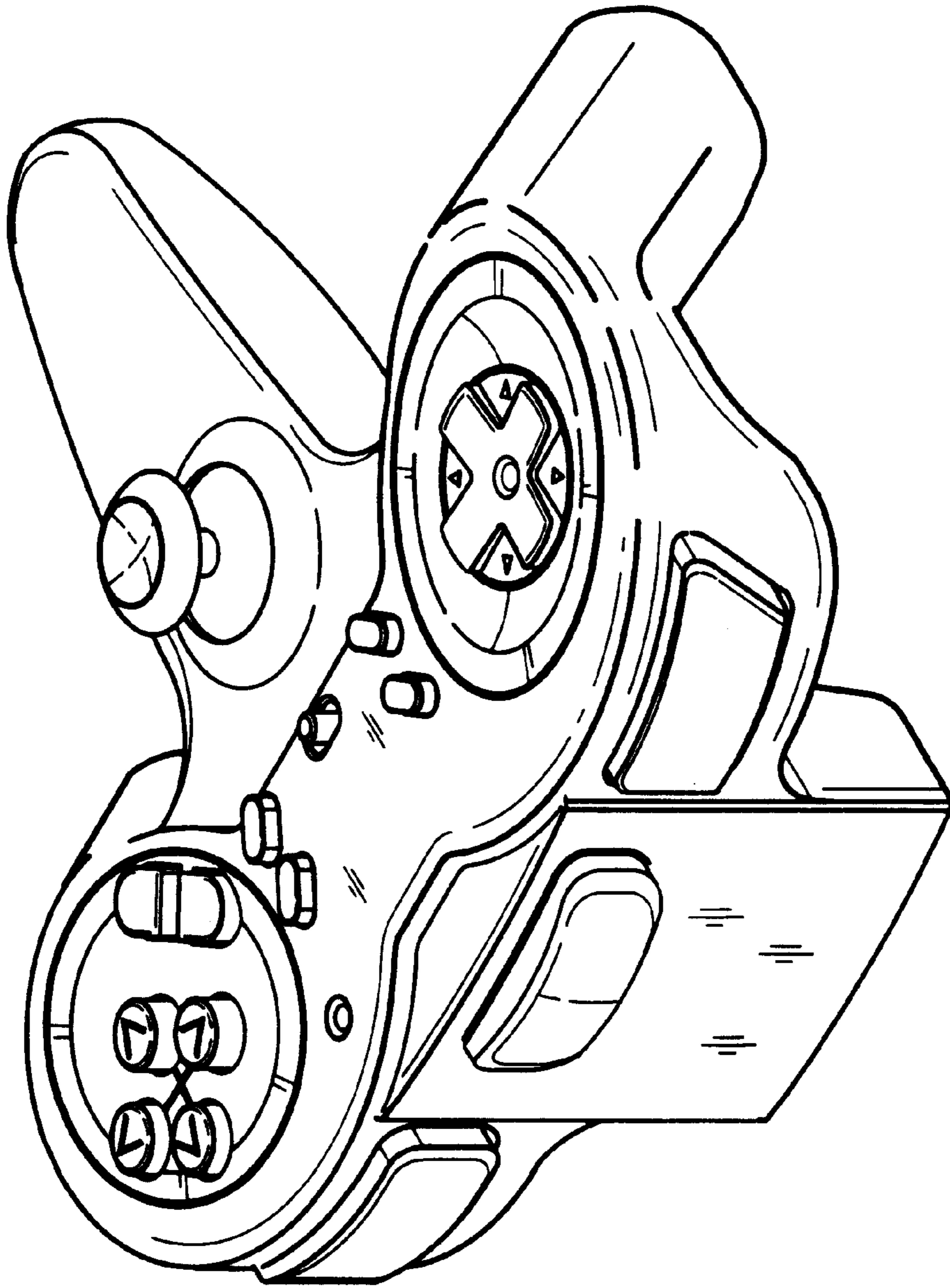


FIG. 1

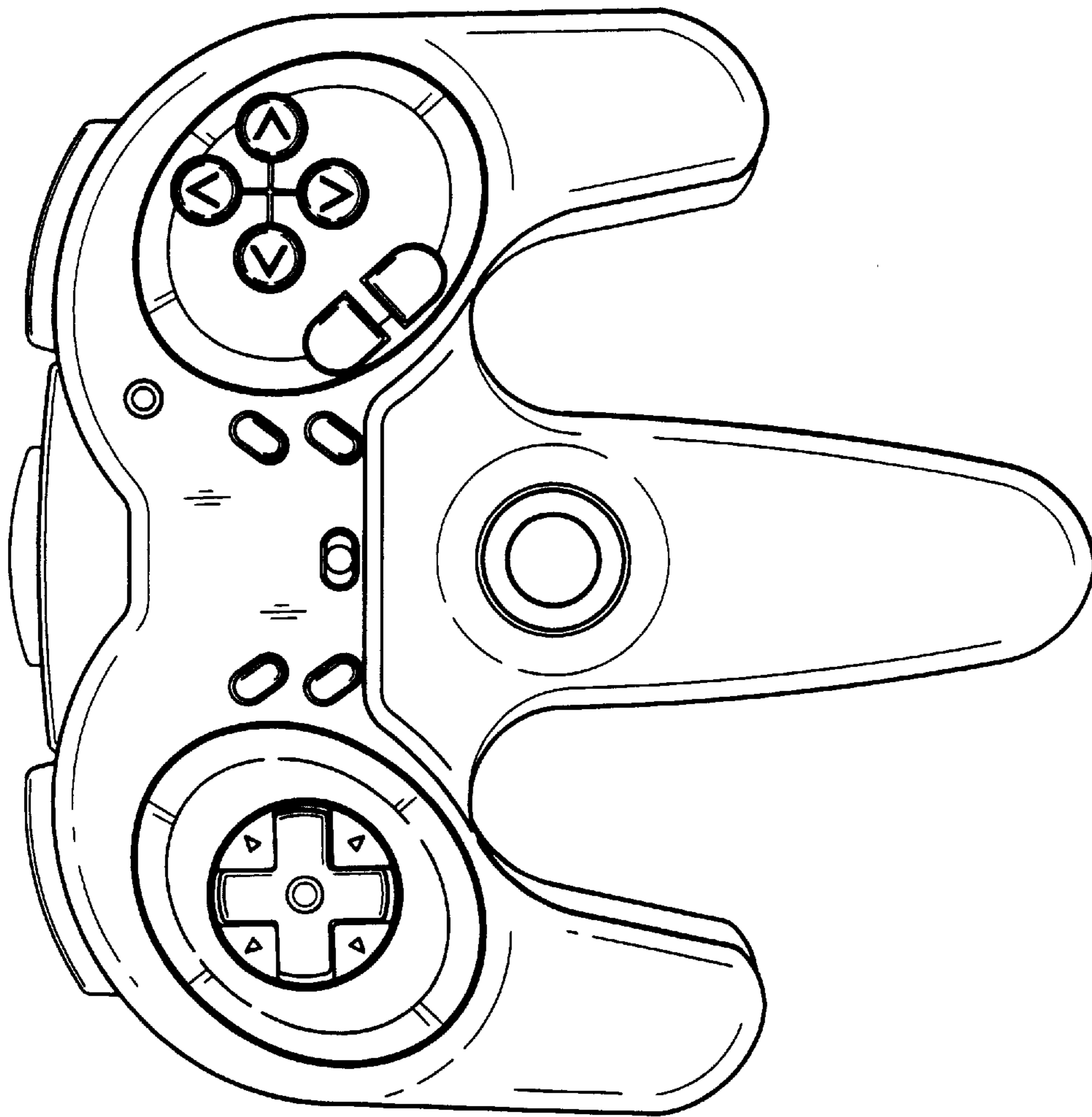


FIG. 2

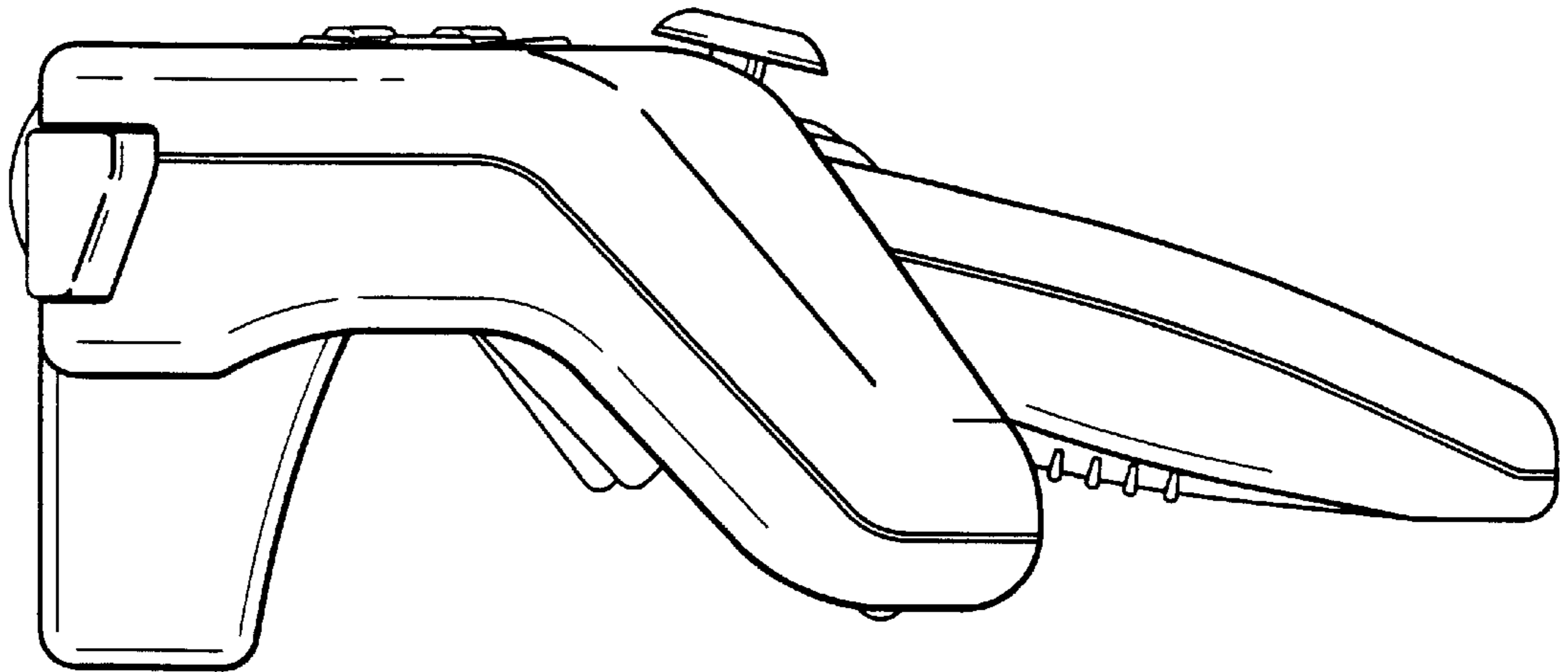


FIG. 3

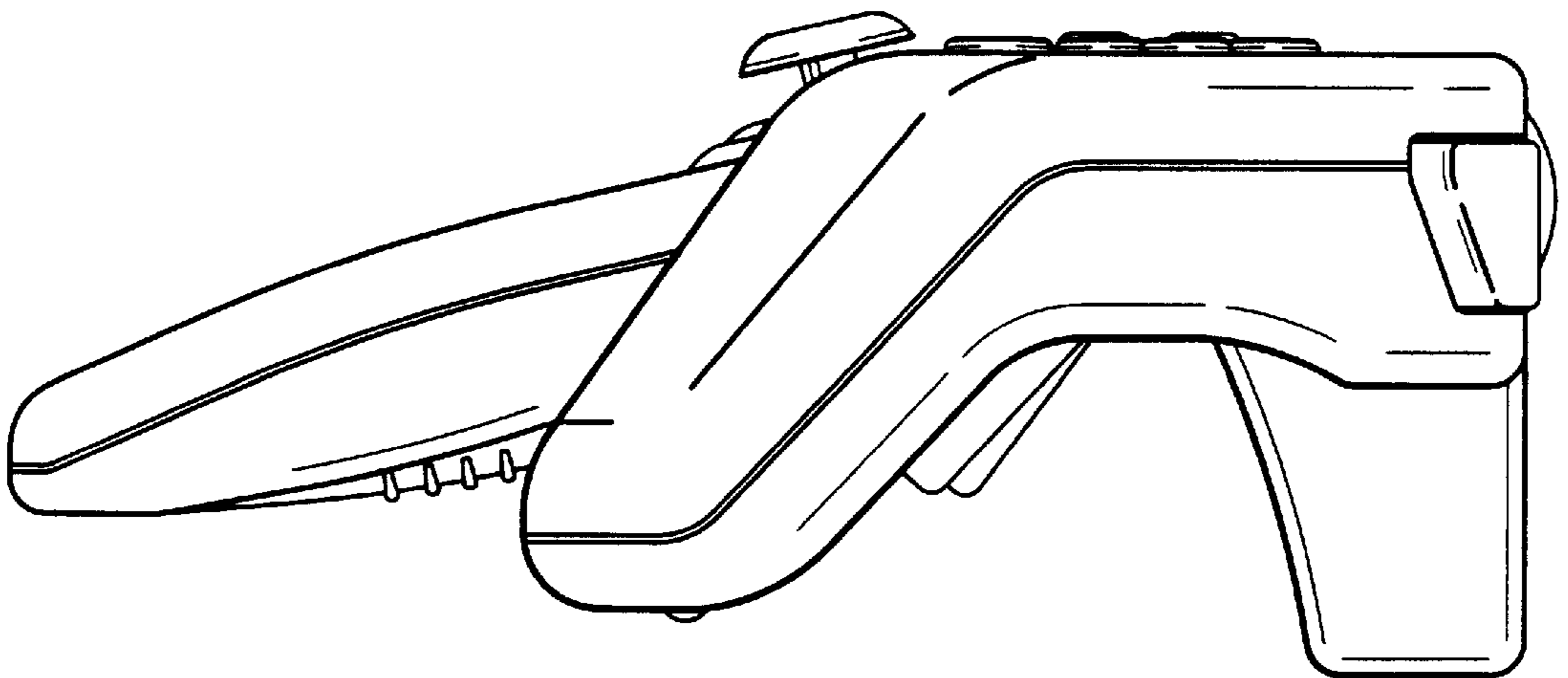


FIG. 4

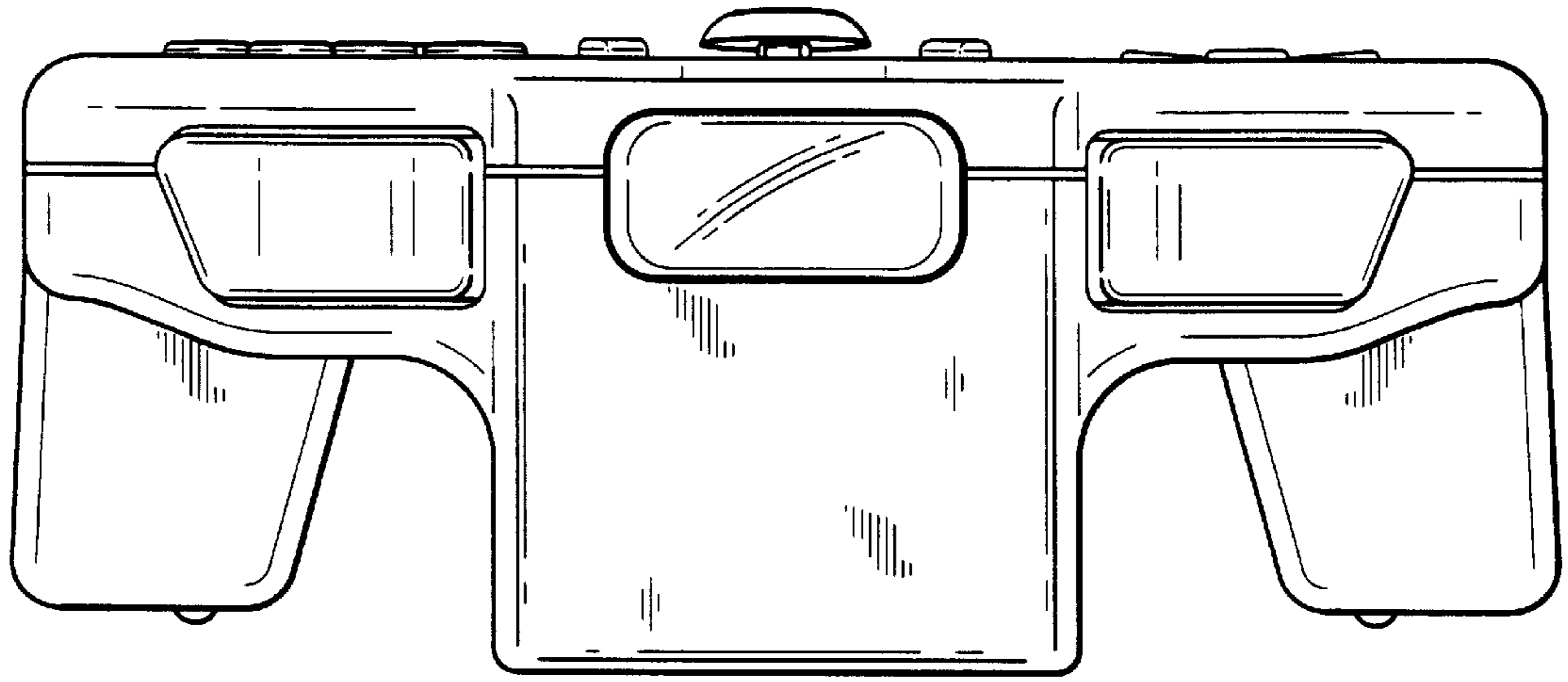


FIG. 5

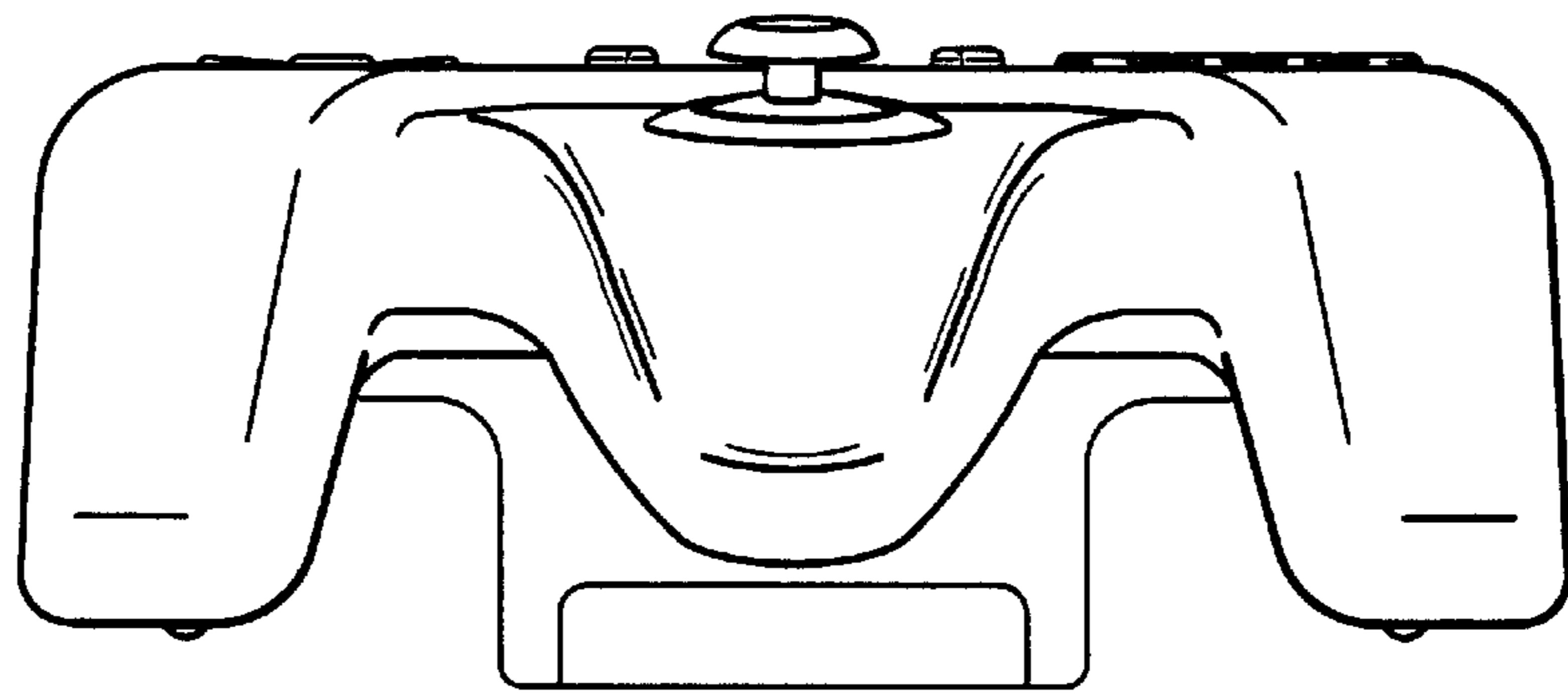


FIG. 6

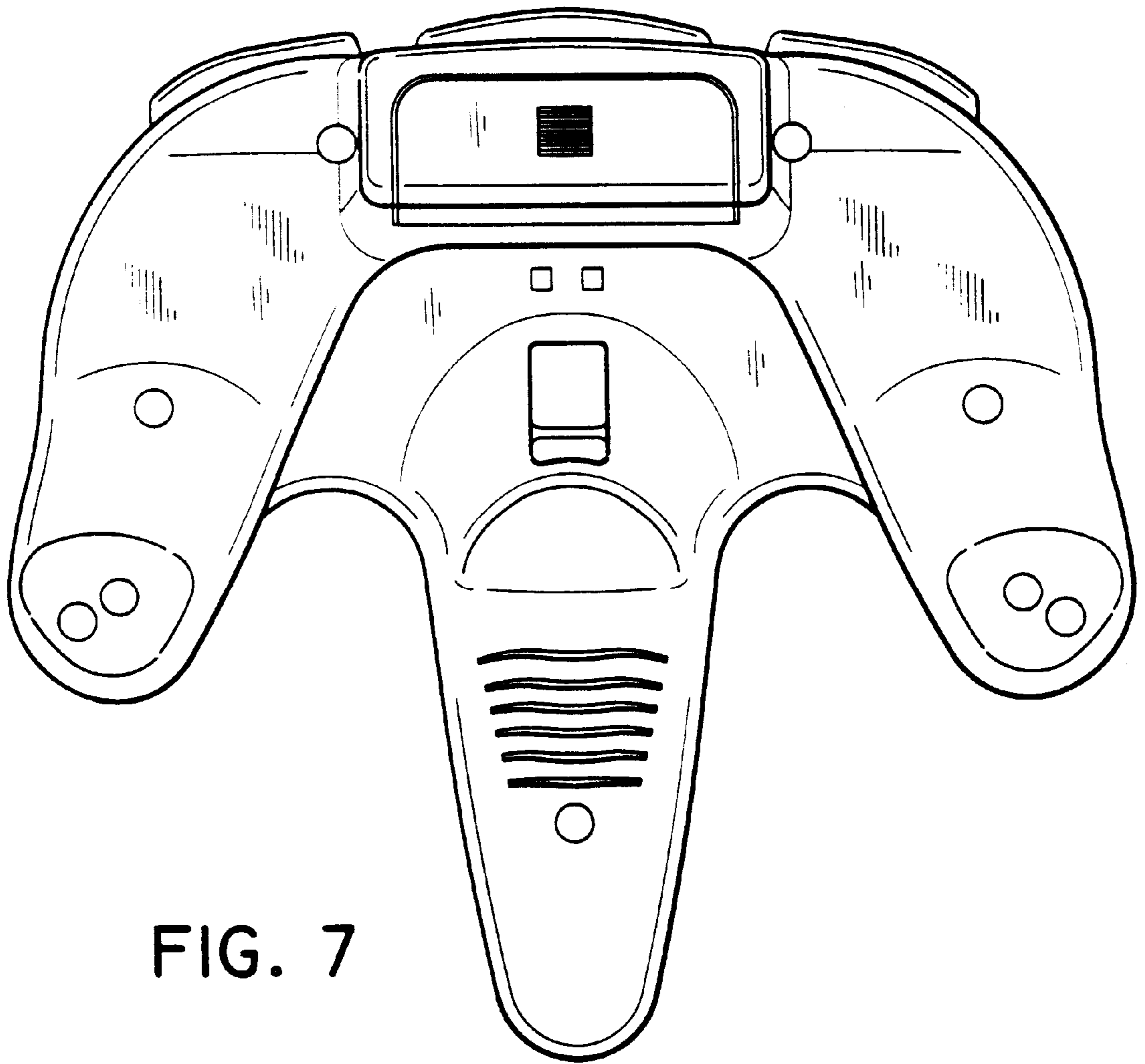


FIG. 7

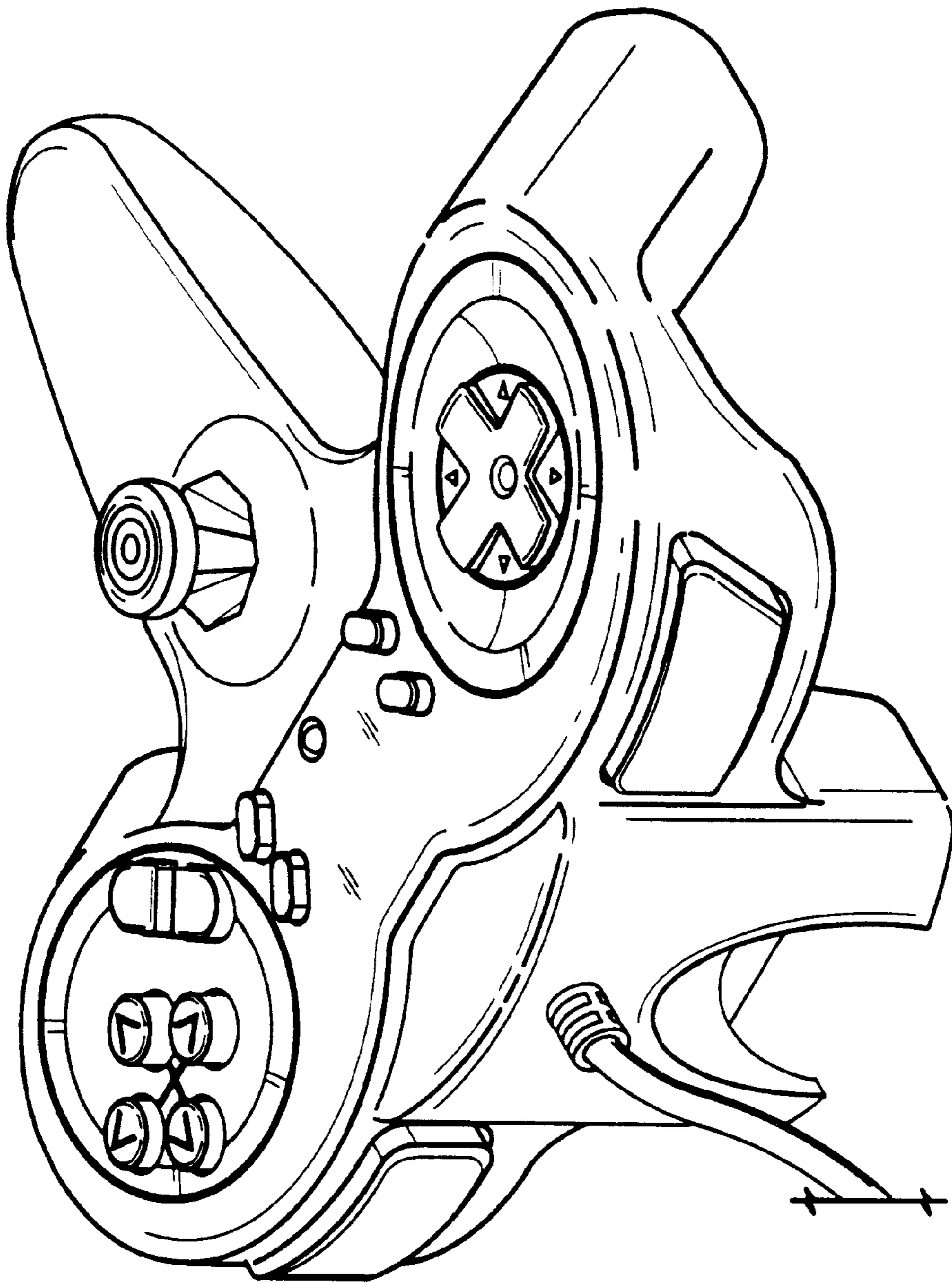


FIG. 8

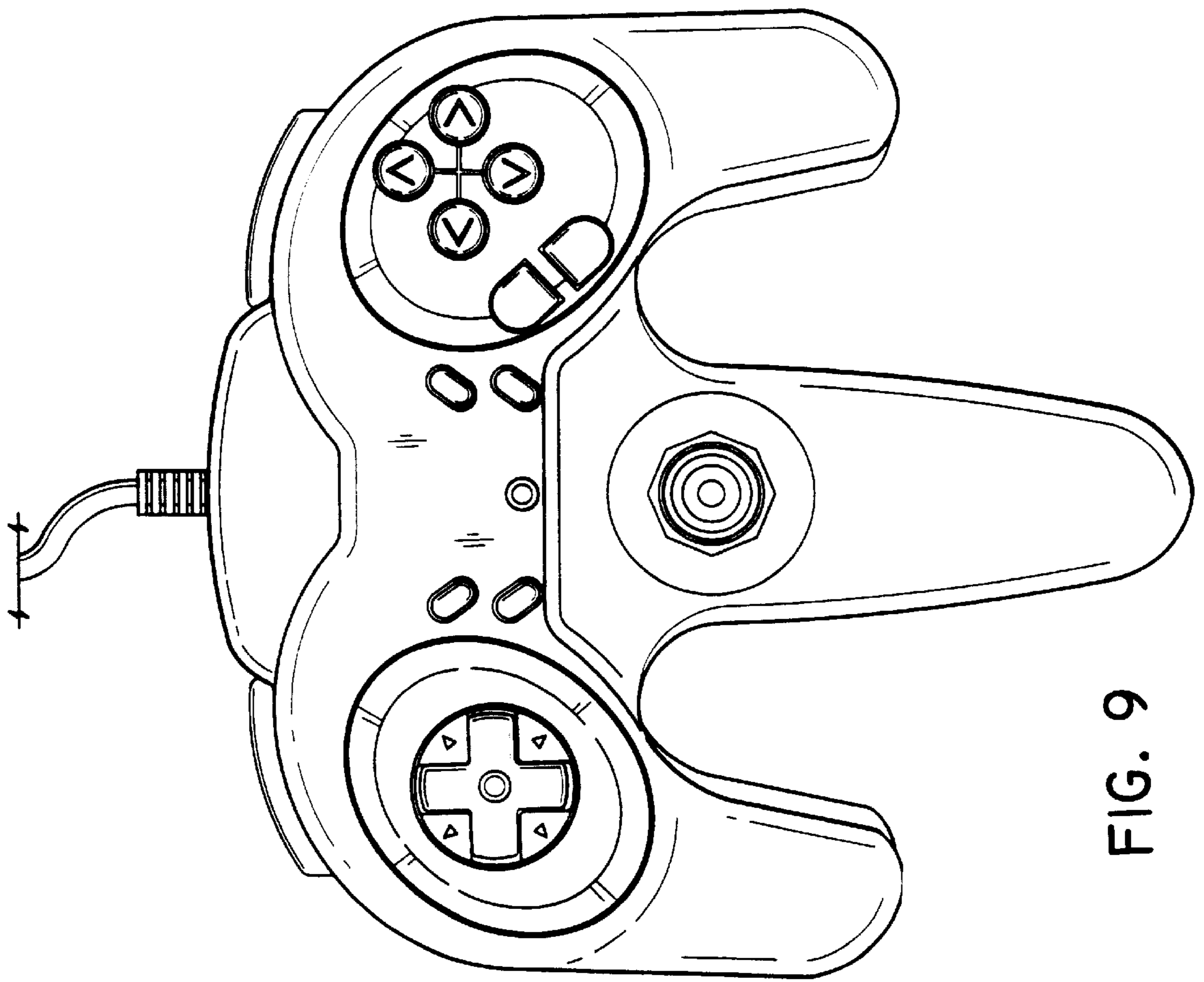


FIG. 9

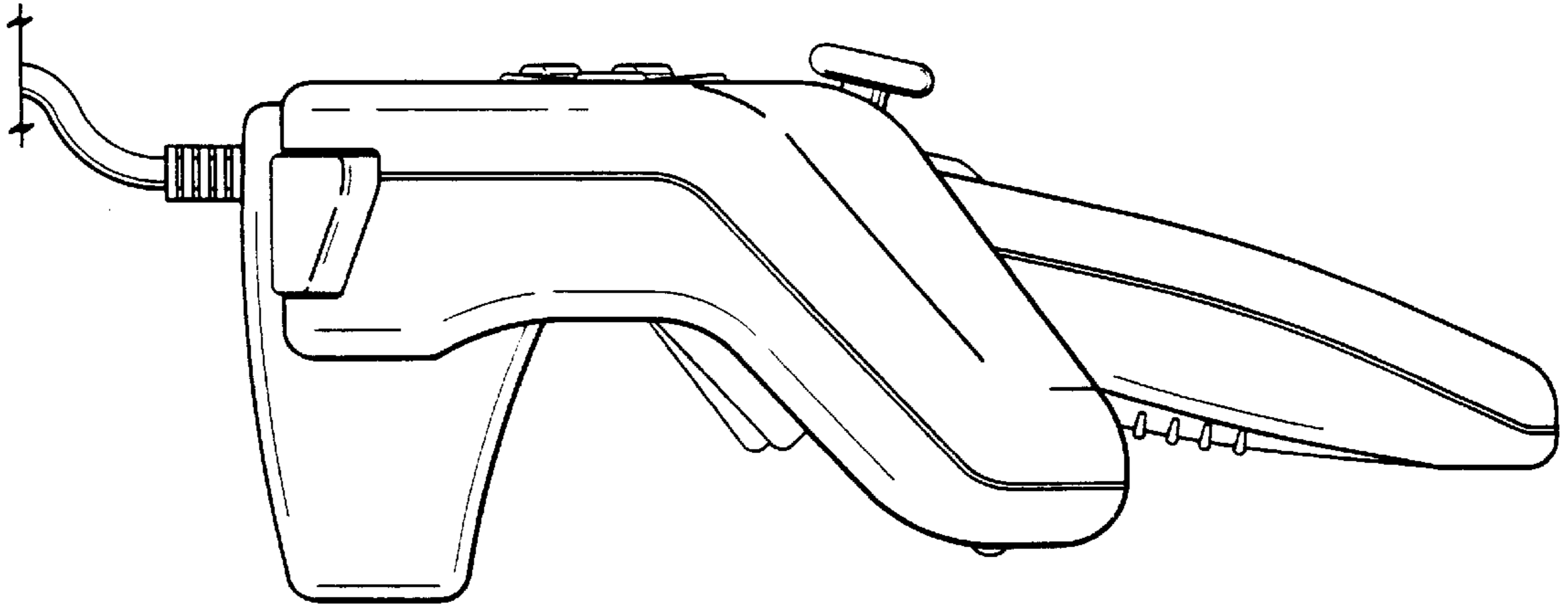


FIG. 10

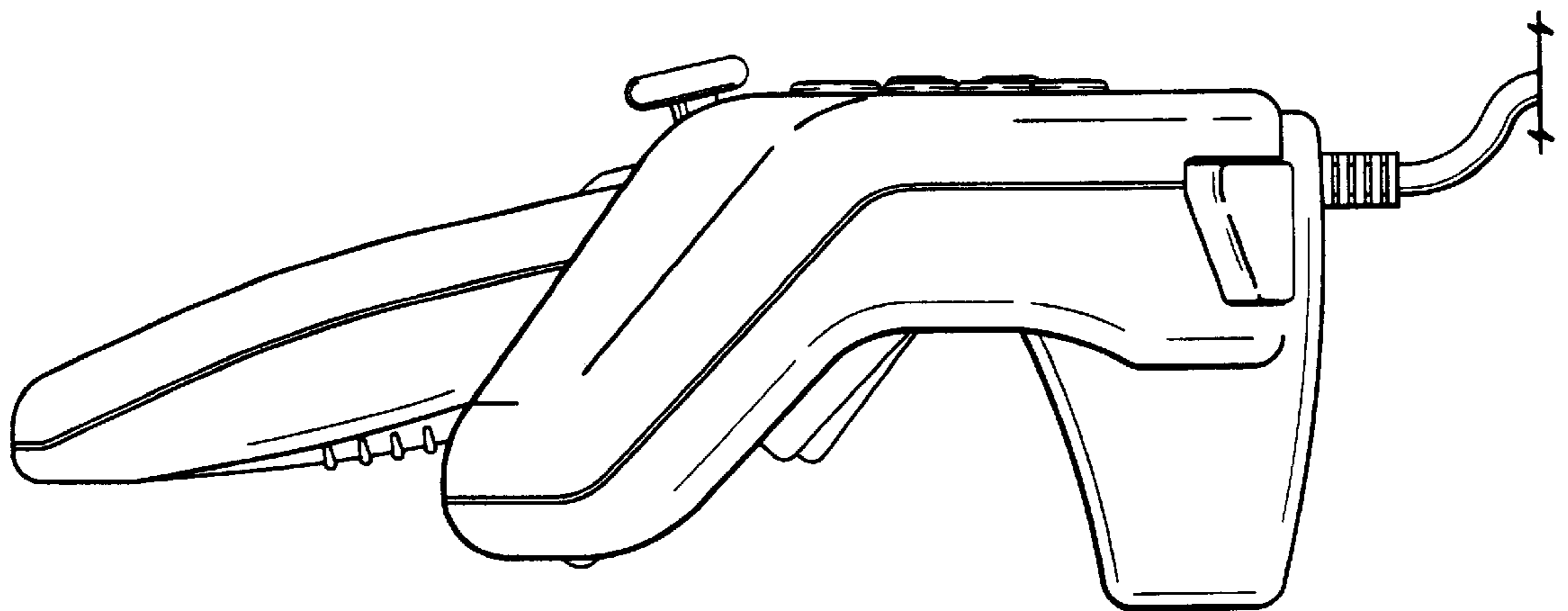


FIG. 11

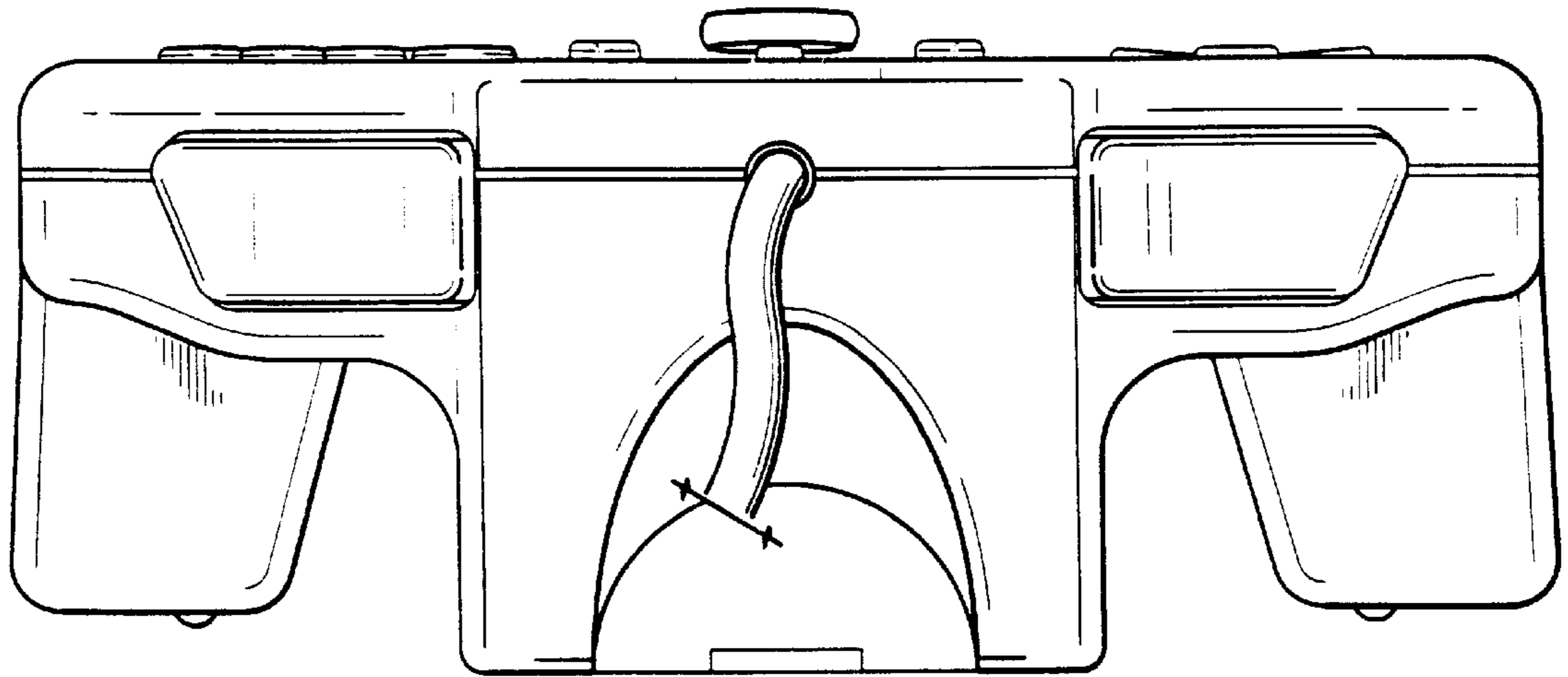


FIG. 12

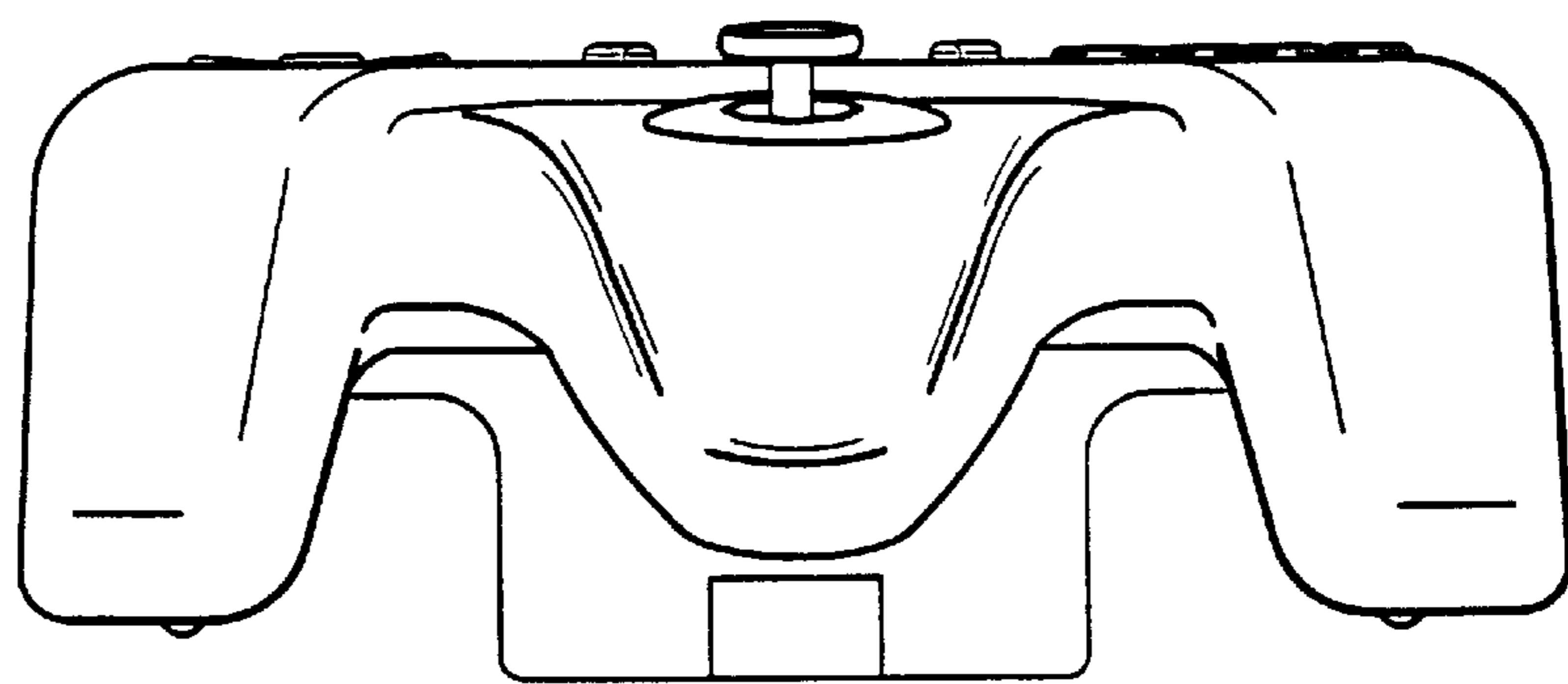


FIG. 13



FIG. 14