



US00D415478S

# United States Patent [19]

Chuo et al.

[11] Patent Number: Des. 415,478

[45] Date of Patent: \*\* Oct. 19, 1999

[54] COMPUTER DISPLAY

[75] Inventors: Yu-Hsin Chuo; Yu-Jing Lin, both of Taipei, Taiwan

[73] Assignee: Compal Electronics, Inc., Taipei, Taiwan

[\*\*] Term: 14 Years

[21] Appl. No.: 29/094,391

[22] Filed: Oct. 1, 1998

### Related U.S. Application Data

[51] LOC (6) Cl. .... 14-02

[52] U.S. Cl. .... D14/113; D14/126

[58] Field of Search ..... D14/100, 106, D14/113, 101, 124-129; 248/917-924; 345/104, 133, 156, 168, 87, 173; 348/180, 184, 325, 739; 349/1, 2, 11, 62; 341/12

### [56] References Cited

#### U.S. PATENT DOCUMENTS

D. 391,934 3/1998 Uehara et al. .... D14/113

D. 394,248 5/1998 Duan ..... D14/113  
D. 398,911 9/1998 Lin ..... D14/113

Primary Examiner—Freda Nunn  
Attorney, Agent, or Firm—Bacon & Thomas, PLLC

### [57] CLAIM

The ornamental design for a computer display, as shown and described.

### DESCRIPTION

FIG. 1 is a perspective view showing our new design for a computer display;

FIG. 2 is a front elevational view thereof;

FIG. 3 is a rear elevational view thereof;

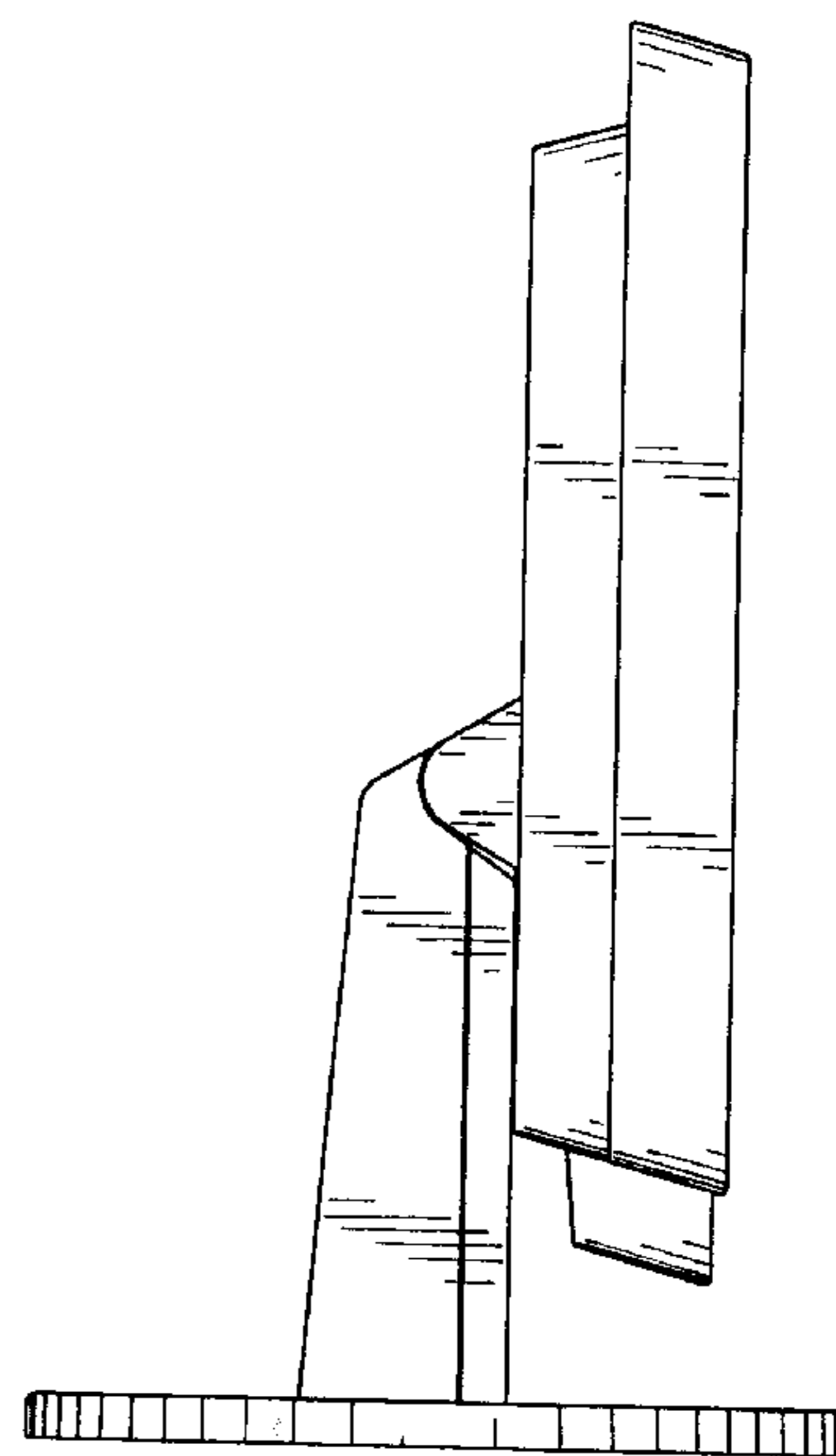
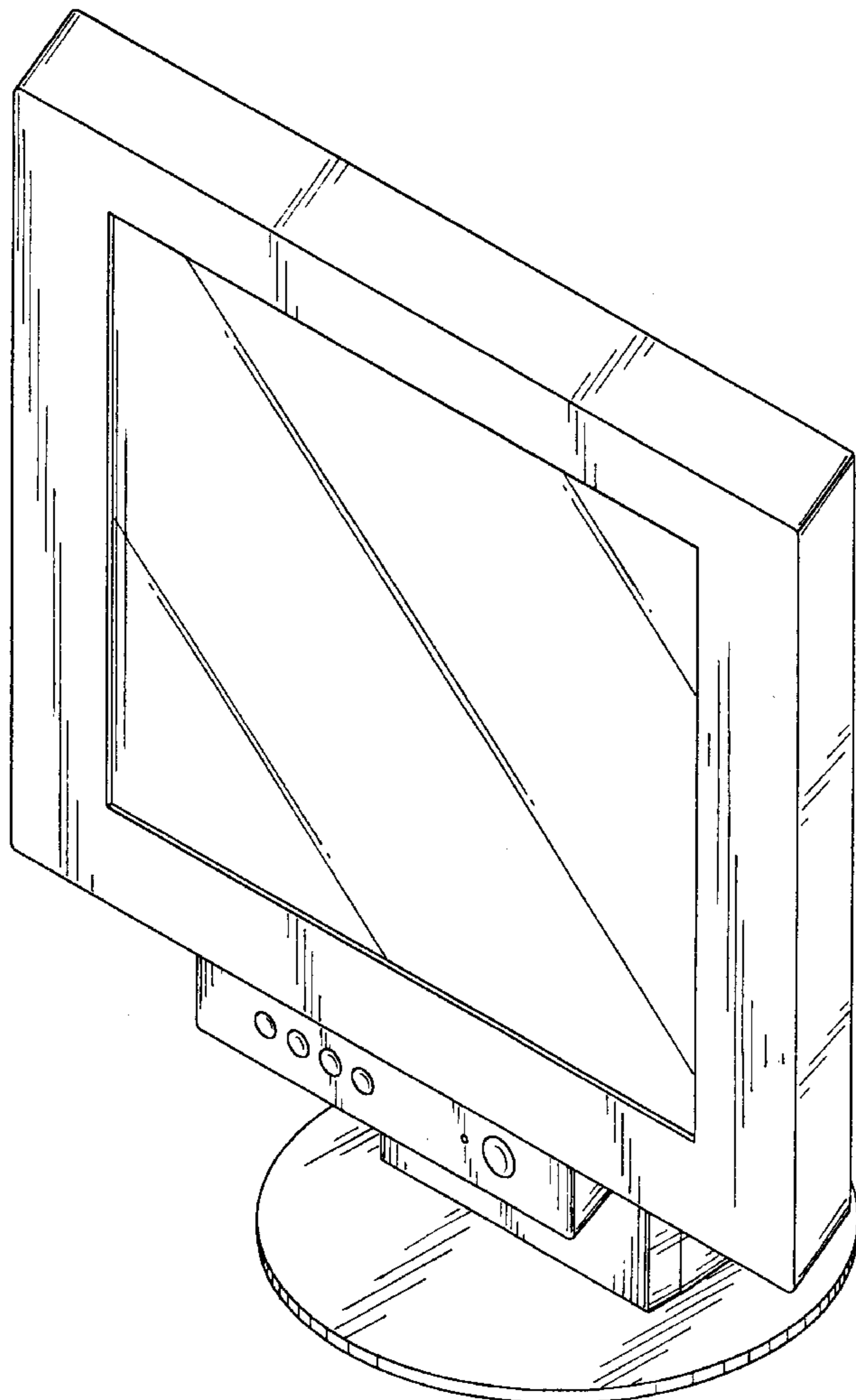
FIG. 4 is a left side elevational view thereof;

FIG. 5 is a right side elevational view thereof;

FIG. 6 is top view thereof; and,

FIG. 7 is a bottom view thereof.

1 Claim, 4 Drawing Sheets



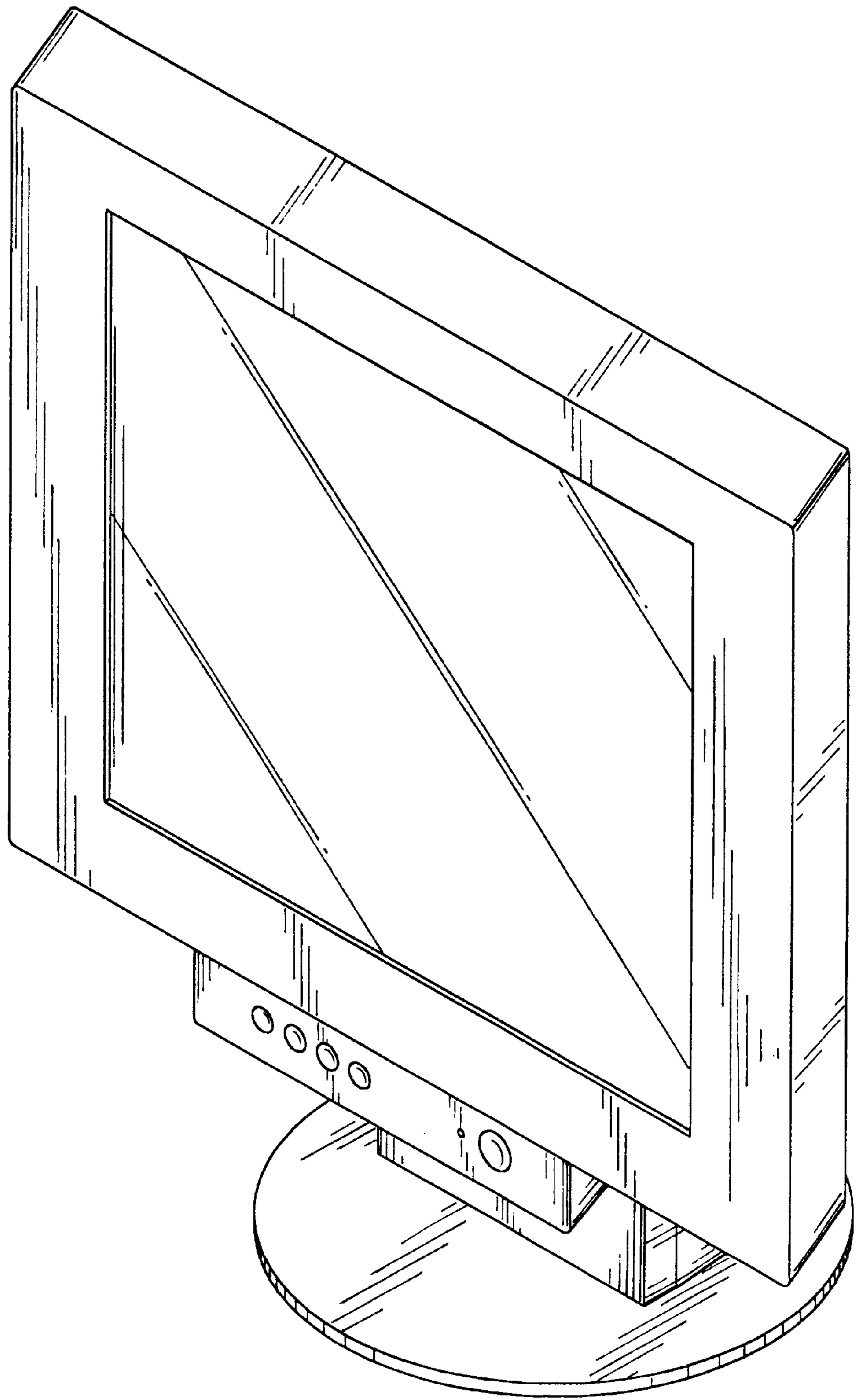


Fig.1

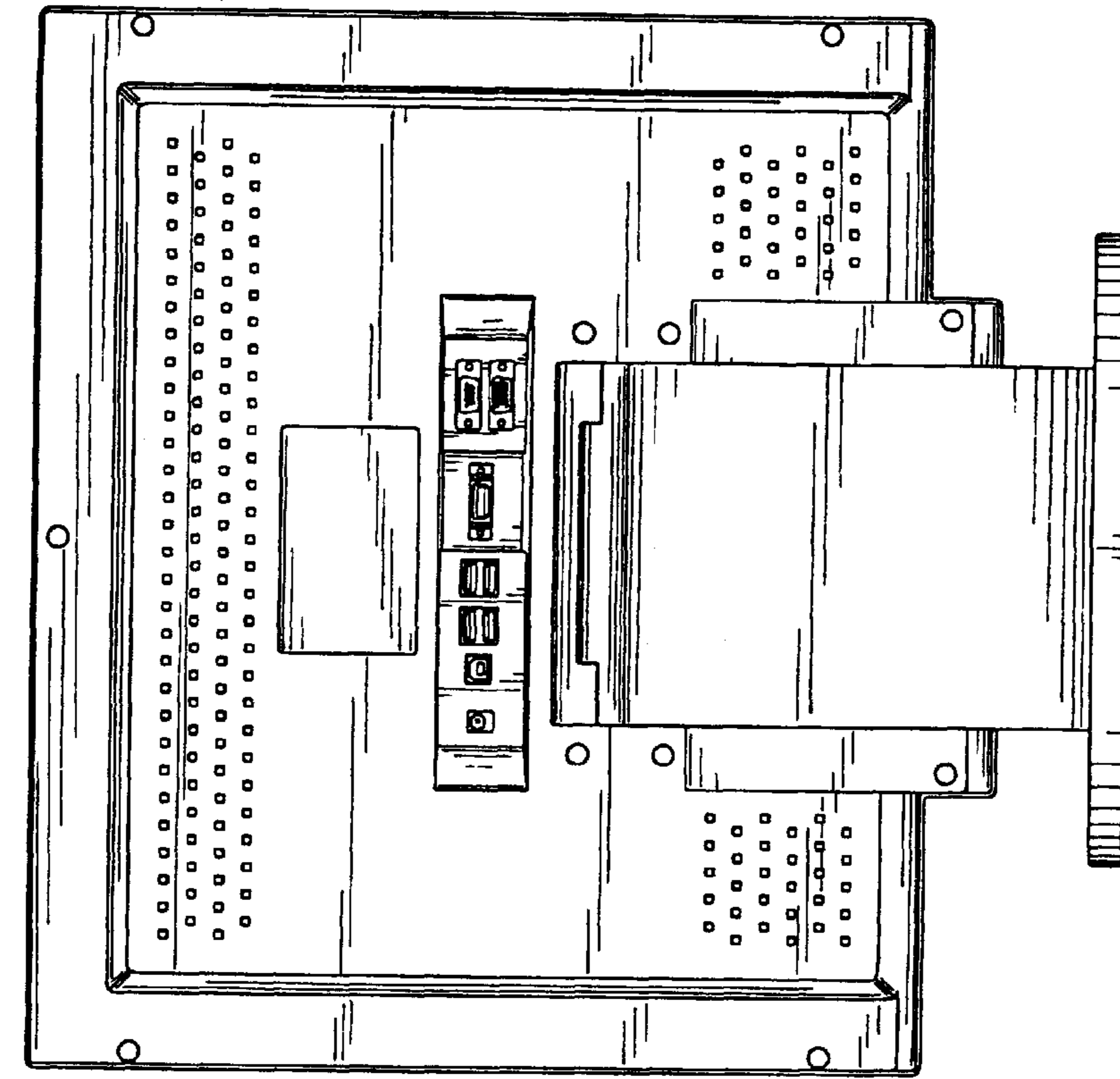


Fig.3

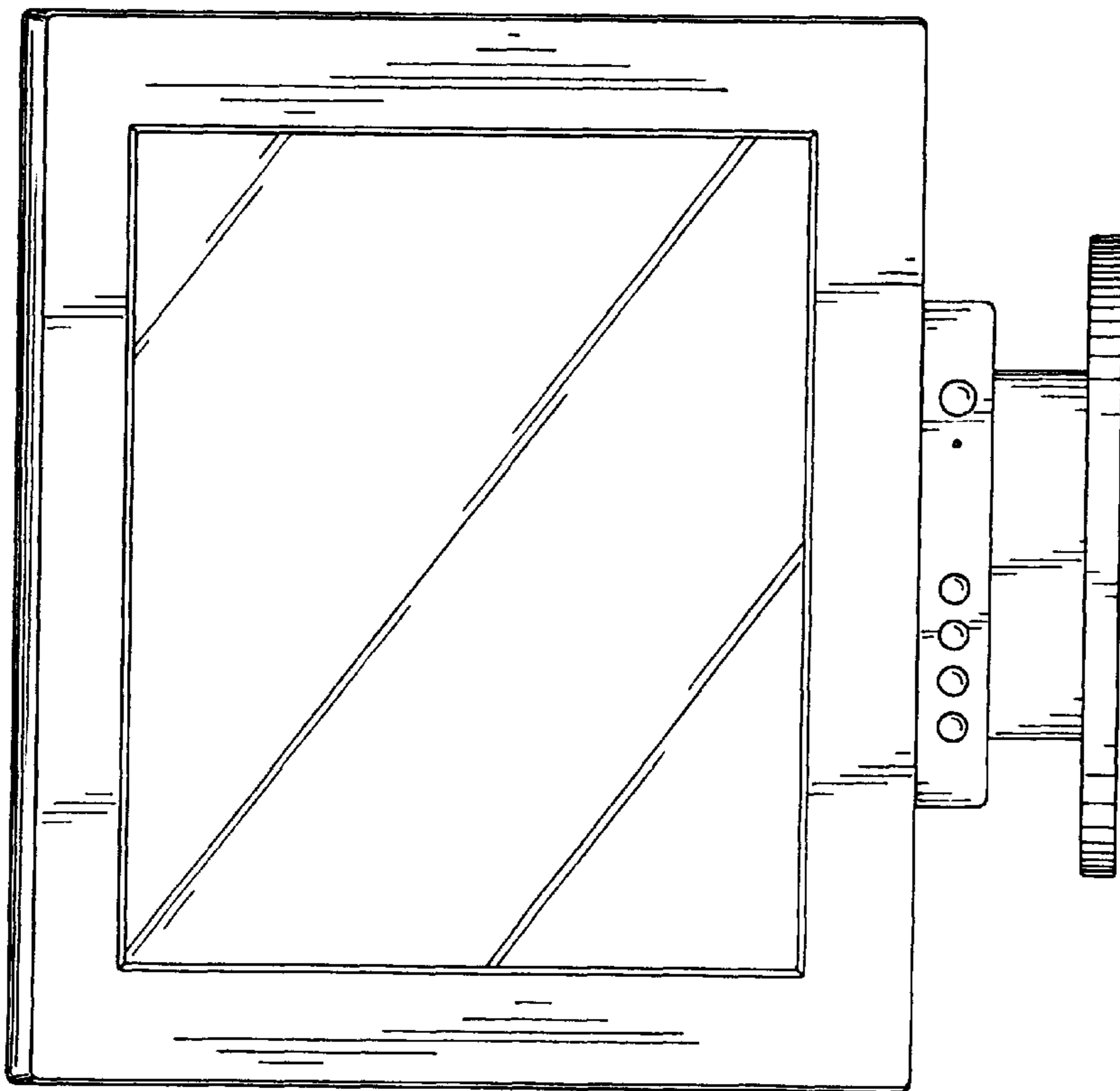


Fig.2

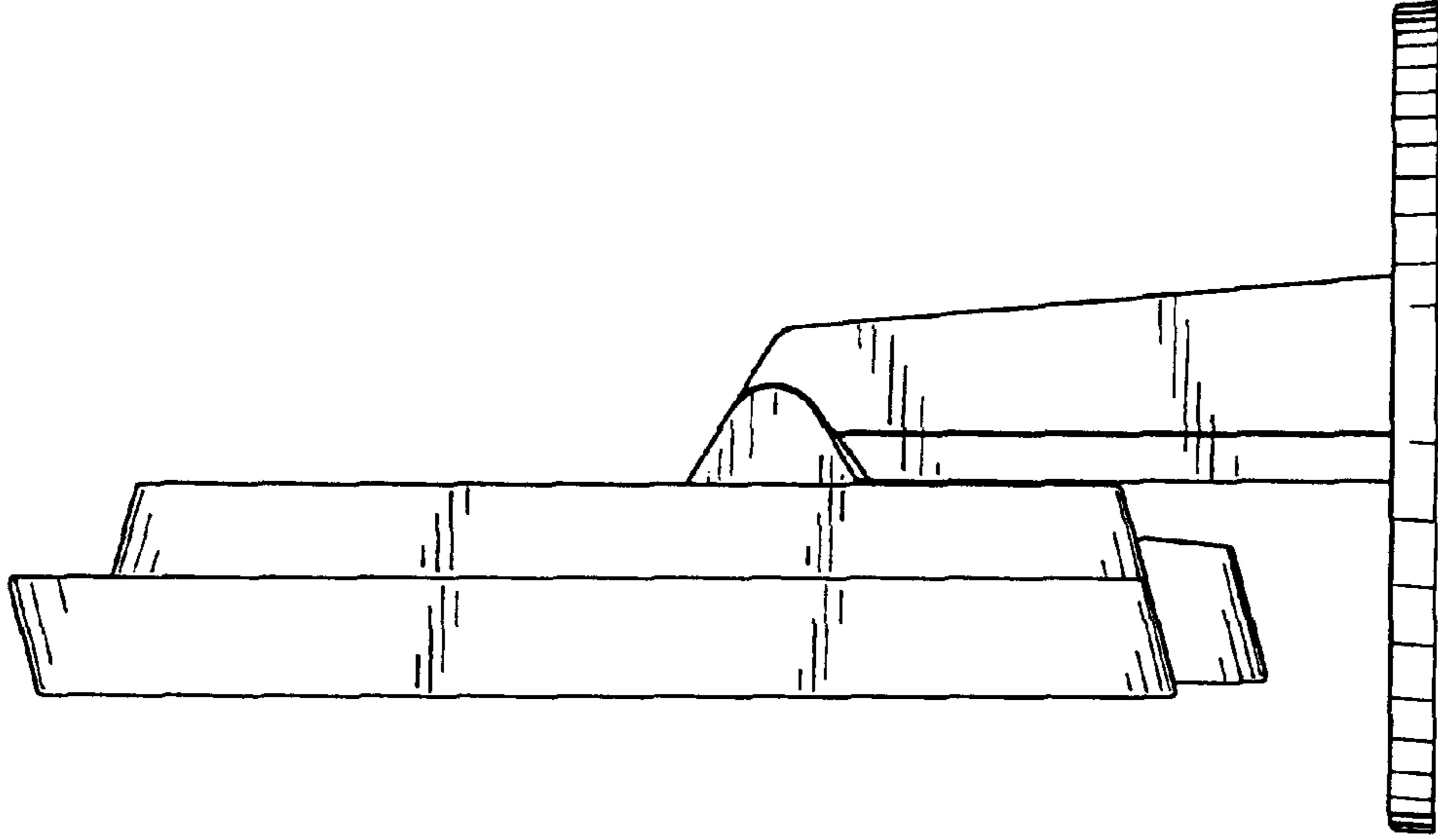


Fig. 5

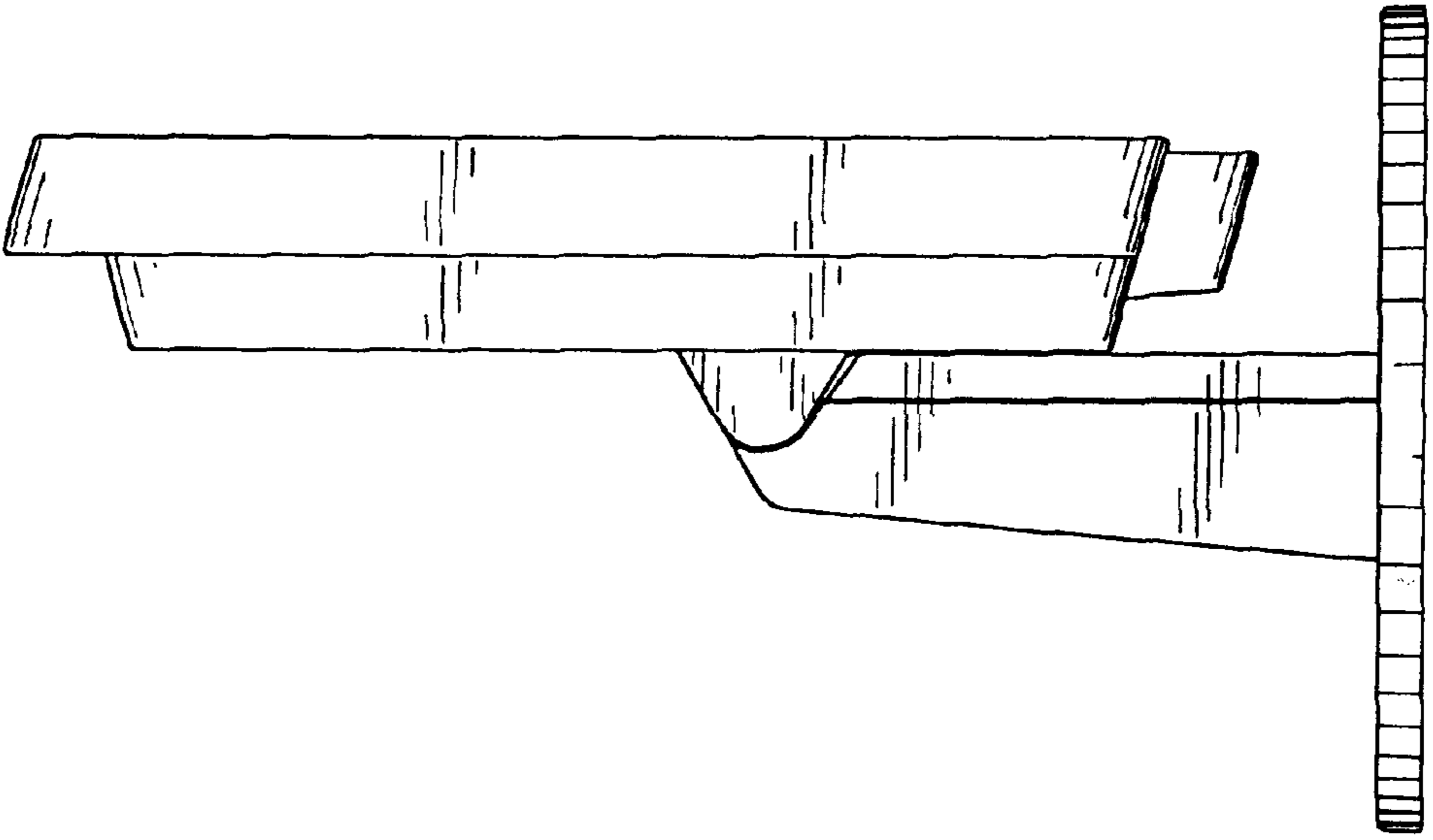
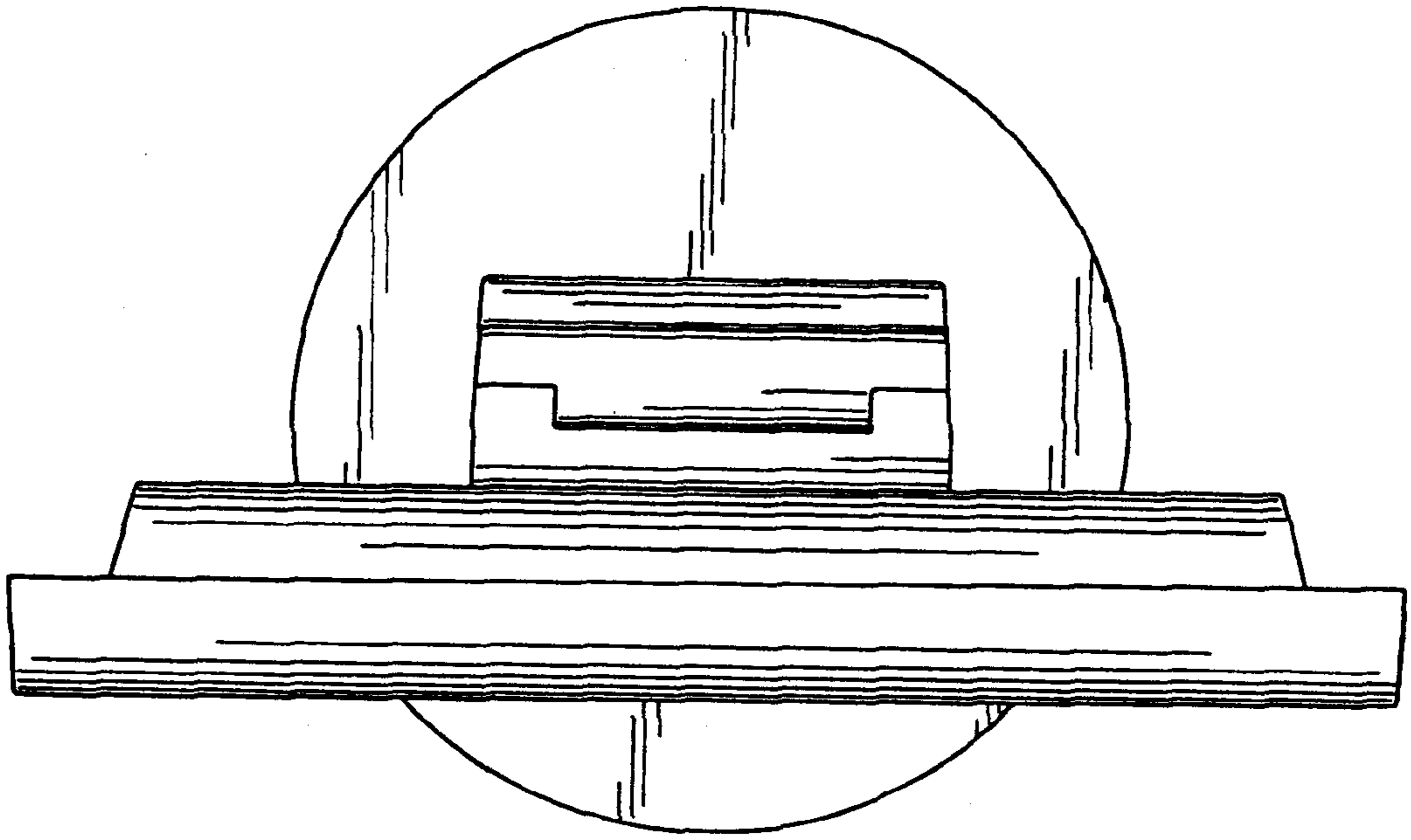
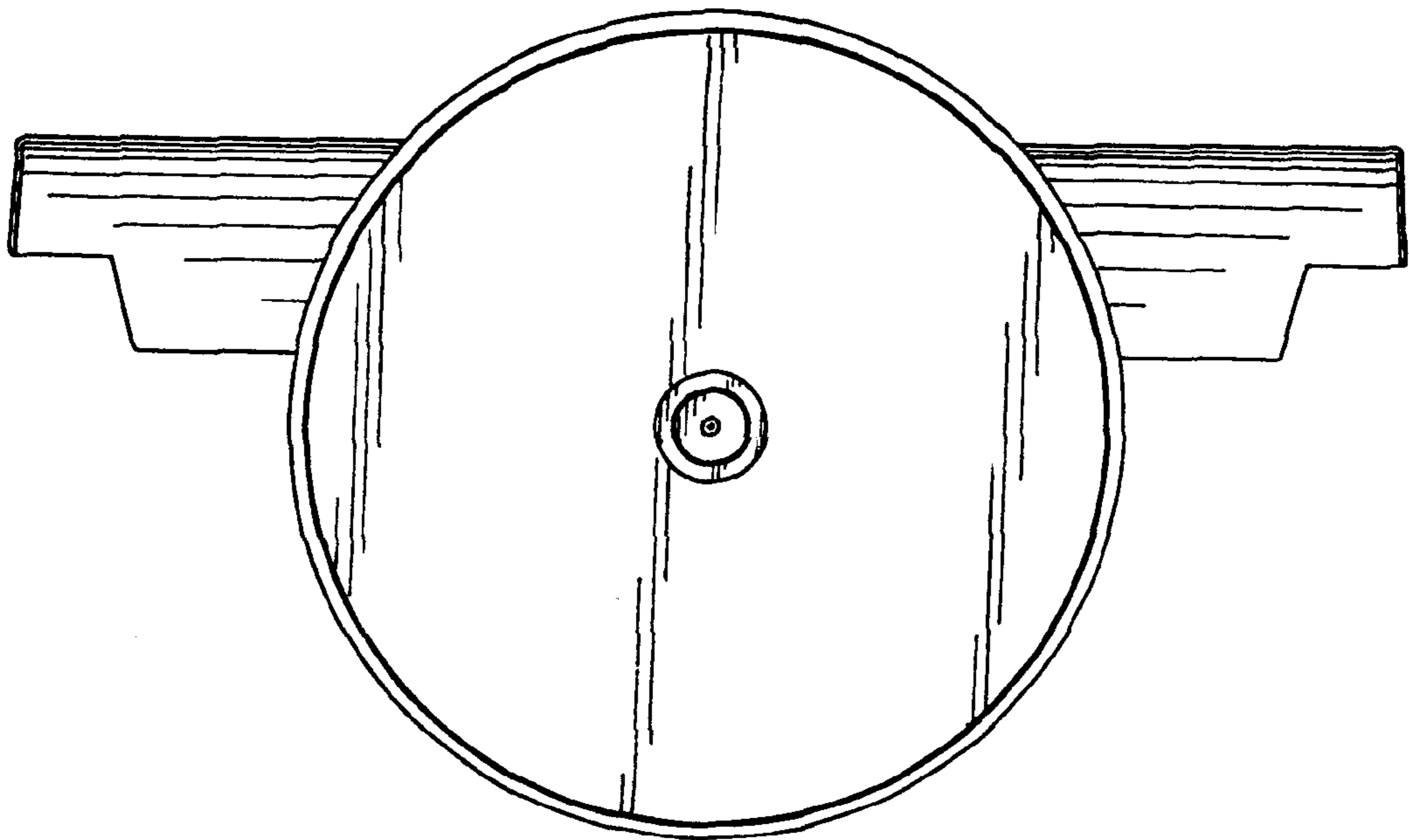


Fig. 4



**Fig.6**



**Fig.7**