



US00D415476S

United States Patent [19]

Nara et al.

[11] Patent Number: **Des. 415,476**

[45] Date of Patent: **** Oct. 19, 1999**

[54] **HANDHELD COMPUTER**

[75] Inventors: **Katsuhiro Nara; Yukinori Ido**, both of Tokyo, Japan

[73] Assignee: **Casio Keisanki Kabushiki Kaisha**, Tokyo, Japan

[**] Term: **14 Years**

[21] Appl. No.: **29/098,118**

[22] Filed: **Dec. 22, 1998**

[51] **LOC (6) Cl.** **14-02**

[52] **U.S. Cl.** **D14/106; D14/100; D18/7; D18/2**

[58] **Field of Search** **D14/100, 106, D14/113, 115; D18/2, 6, 7, 1; 235/145 A, 145 R; 345/104, 156, 168, 169, 173; 341/22, 23; 361/680-686; 364/708.1; 400/486, 489**

[56] **References Cited**

U.S. PATENT DOCUMENTS

D. 377,043 12/1996 Takahata D18/7

D. 377,189 1/1997 Komuta et al. D18/2

Primary Examiner—Freda Nunn
Attorney, Agent, or Firm—Frishauf, Holtz, Goodman, Langer & Chick

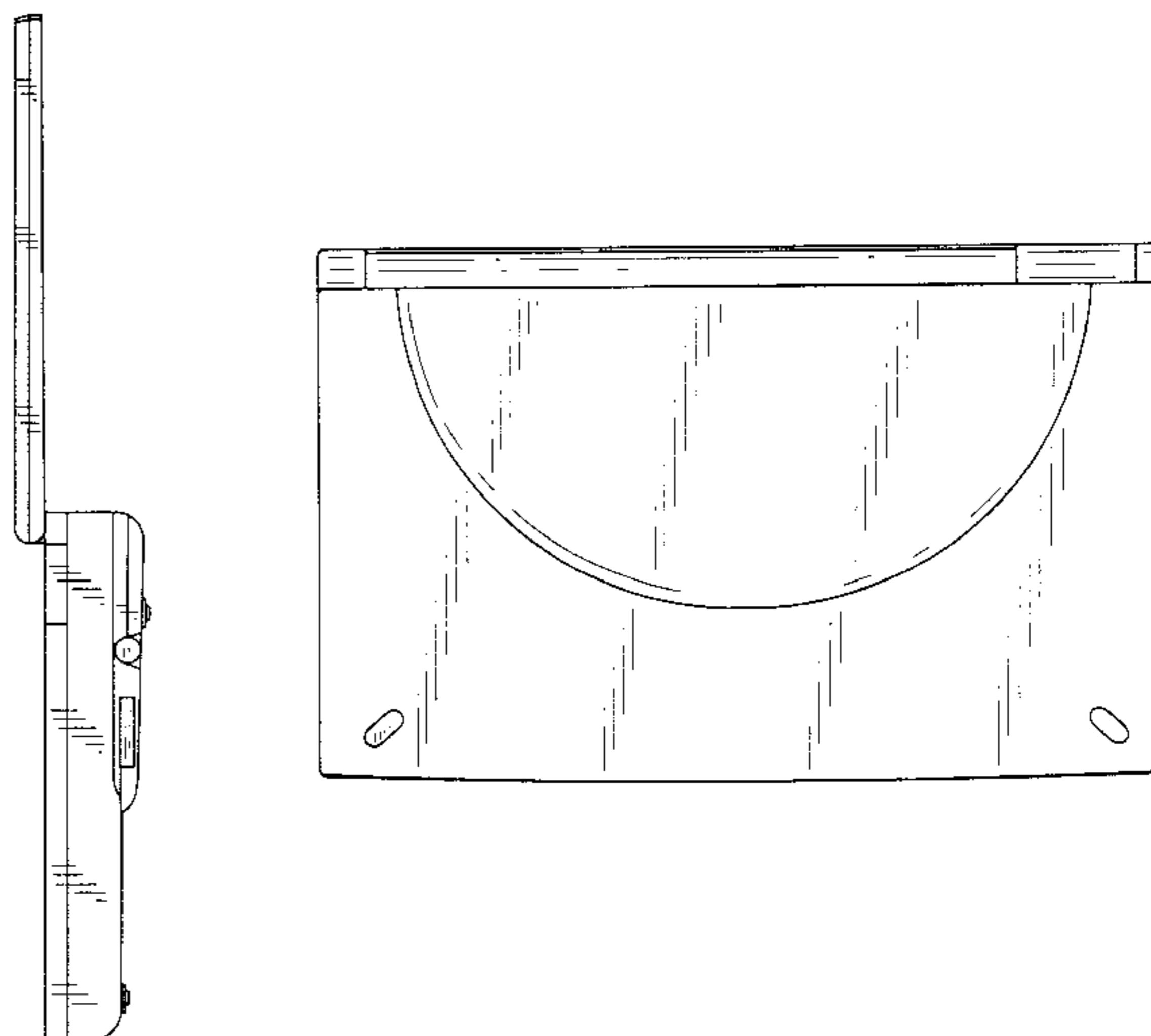
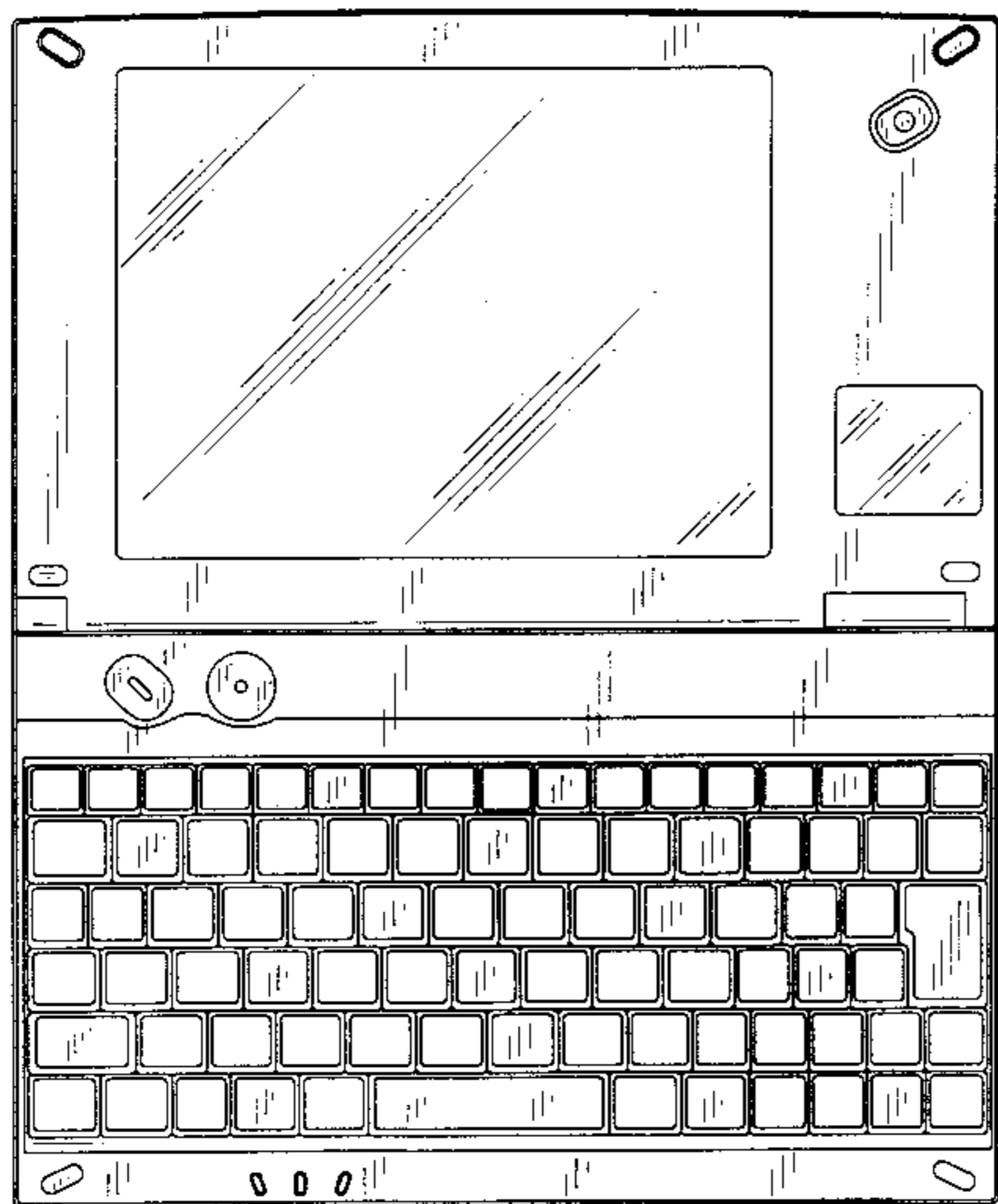
[57] **CLAIM**

The ornamental design for a handheld computer, as shown and described.

DESCRIPTION

FIG. 1 is a front elevational view of a Handheld computer, showing our new design;
FIG. 2 is a right side elevational view thereof;
FIG. 3 is a top plan view thereof;
FIG. 4 is a bottom plan view thereof;
FIG. 5 is a rear elevational view thereof;
FIG. 6 is a left side elevational view thereof; and,
FIG. 7 is a front elevational view thereof with a cover in a closed position.

1 Claim, 2 Drawing Sheets



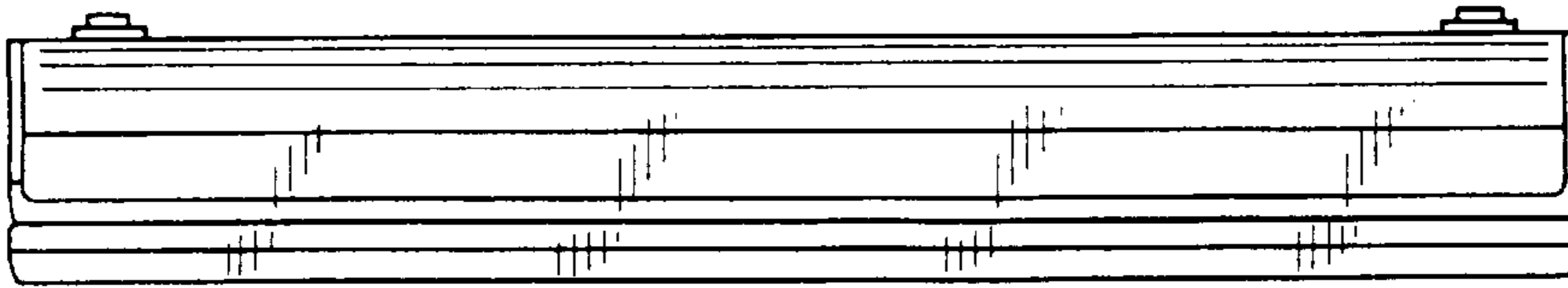


Fig. 3

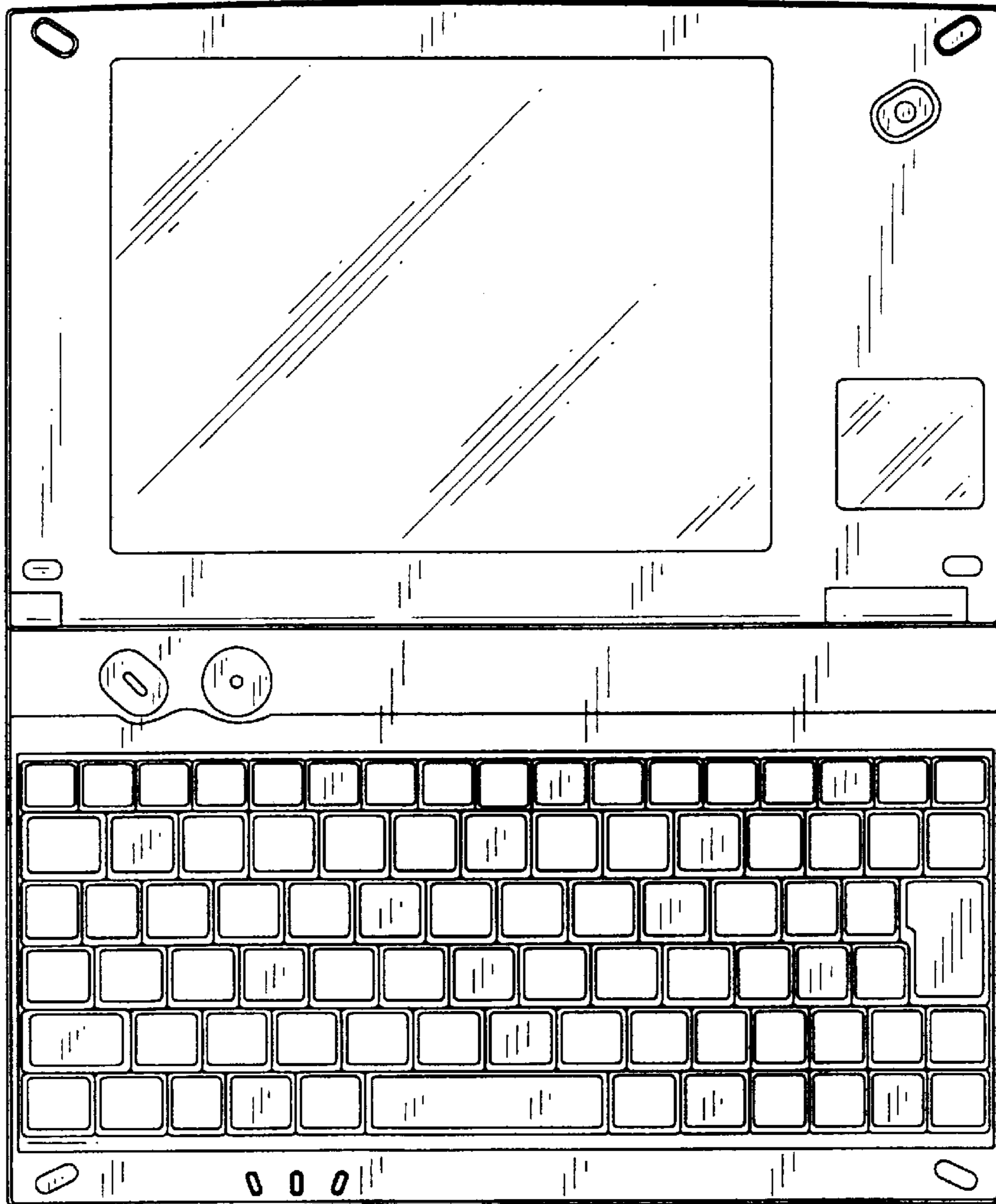


Fig. 1

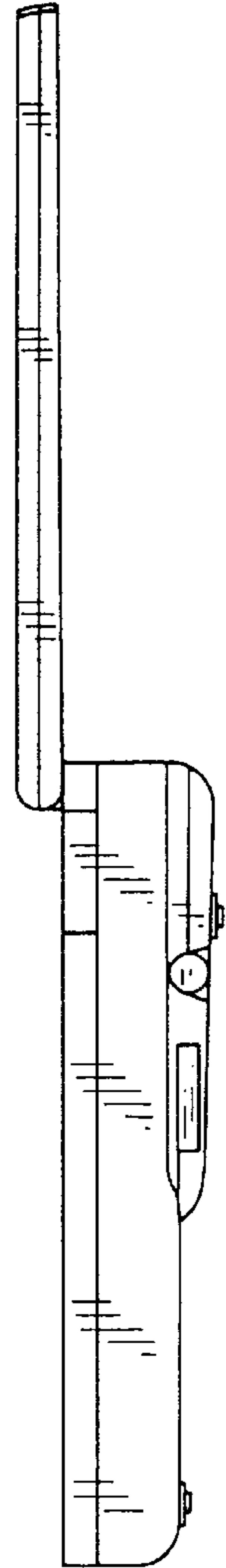


Fig. 2

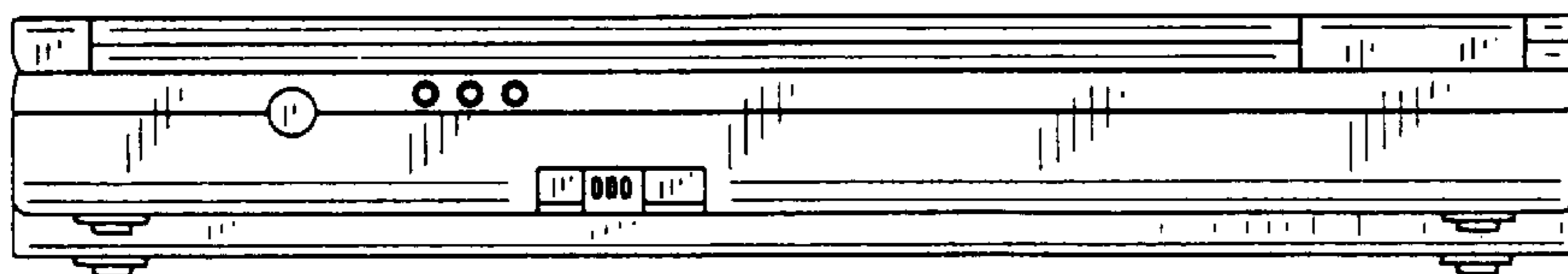


Fig. 4

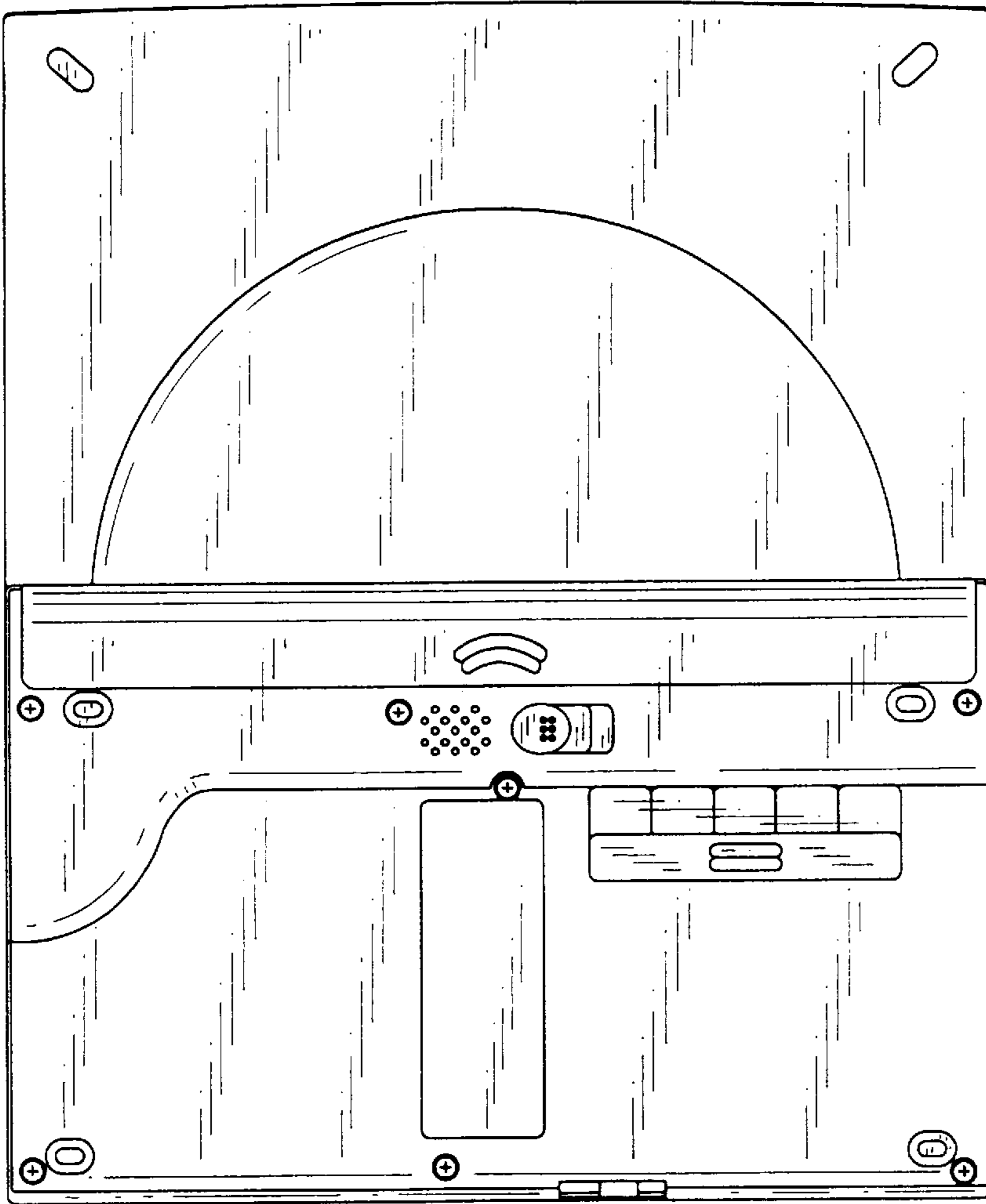


Fig. 5

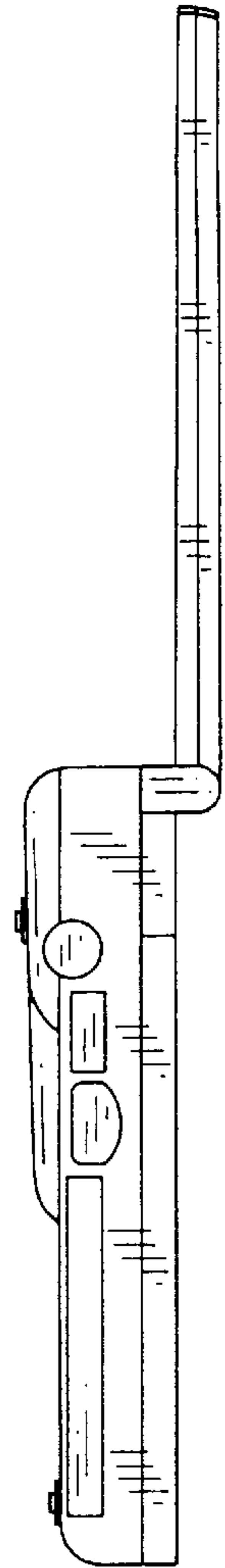


Fig. 6

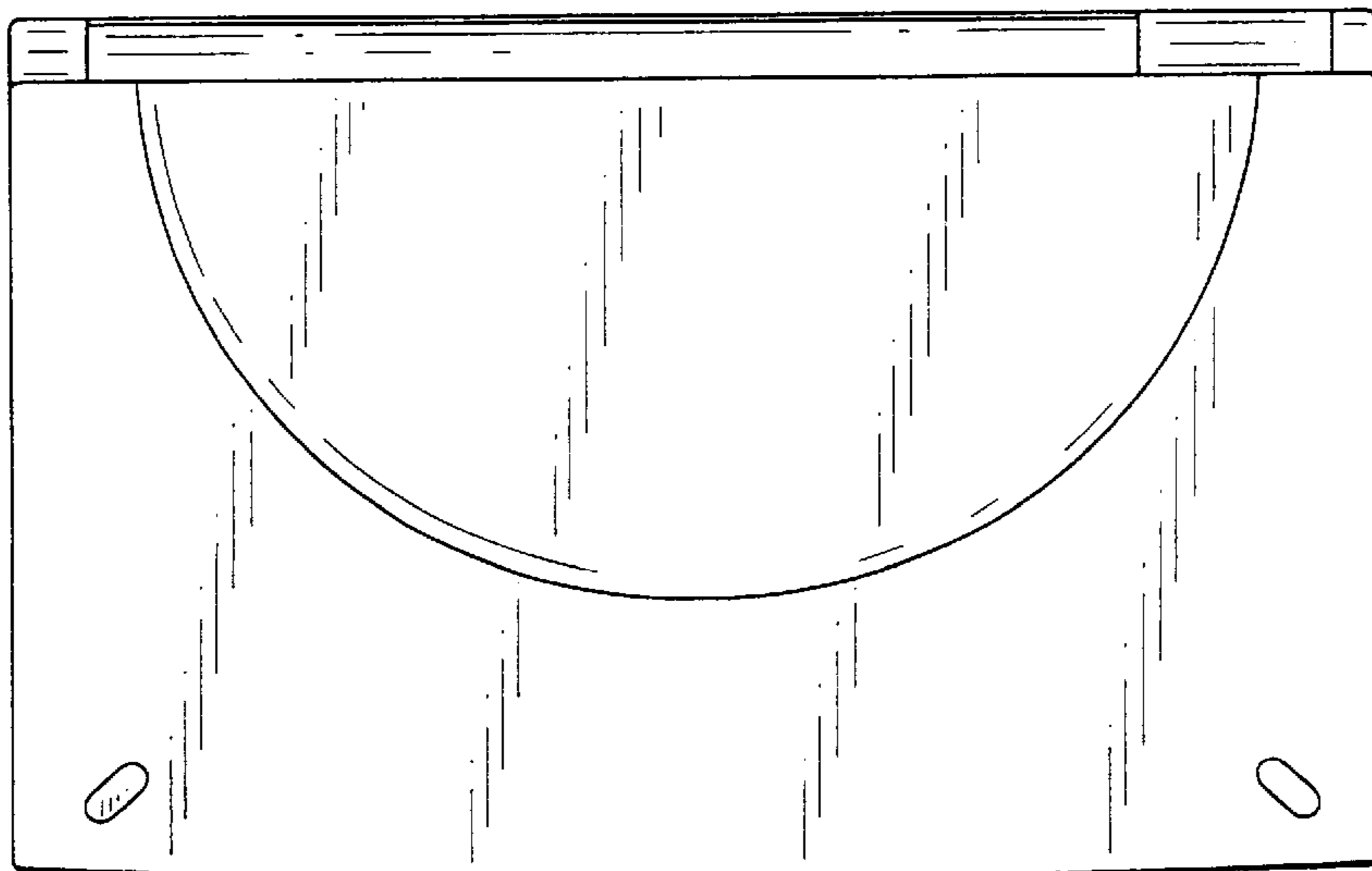


Fig. 7