



US00D415470S

United States Patent [19]
Pedrinelli

[11] **Patent Number: Des. 415,470**

[45] **Date of Patent: ** Oct. 19, 1999**

[54] **TWIST-ON WIRE-CONNECTOR**

[76] Inventor: **Marc A. Pedrinelli**, 78 Ryan Ter.,
Torrington, Conn. 06790

[**] Term: **14 Years**

[21] Appl. No.: **29/086,815**

[22] Filed: **Apr. 20, 1998**

[51] **LOC (6) Cl.** **13-03**

[52] **U.S. Cl.** **D13/150**

[58] **Field of Search** D13/150; 174/87,
174/138 F

[56] **References Cited**

U.S. PATENT DOCUMENTS

D. 186,600	11/1959	Schinske	D13/150
2,122,252	6/1938	Hayes	174/87
2,788,384	4/1957	Gay	174/87

2,870,239	1/1959	Ustin	174/87
4,163,868	8/1979	Stotts	174/87
4,491,686	1/1985	Caviar	174/87

Primary Examiner—Joel Sincavage

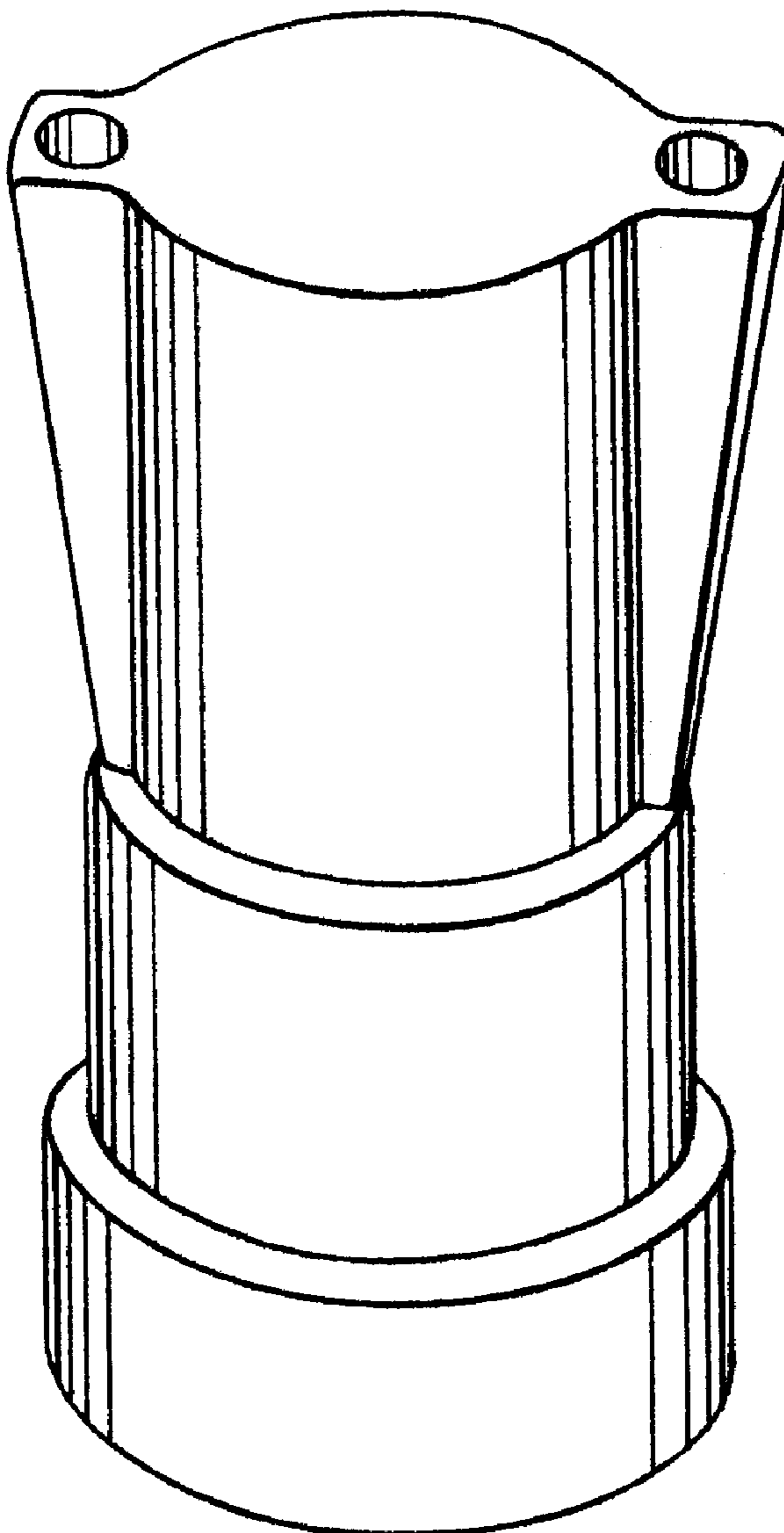
[57] **CLAIM**

The ornamental design for a twist-on wire connector, as shown and described.

DESCRIPTION

FIG. 1 is a top perspective view of the twist-on wire connector according to the invention; FIG. 2 is a front elevational view of the connector of FIG. 1, the rear being the same; FIG. 3 is a right side elevational view of the connector of FIG. 1, the left side being the same; FIG. 4 is a bottom plan view of the connector of FIG. 1; and, FIG. 5 is a top plan view of the connector of FIG. 1.

1 Claim, 2 Drawing Sheets



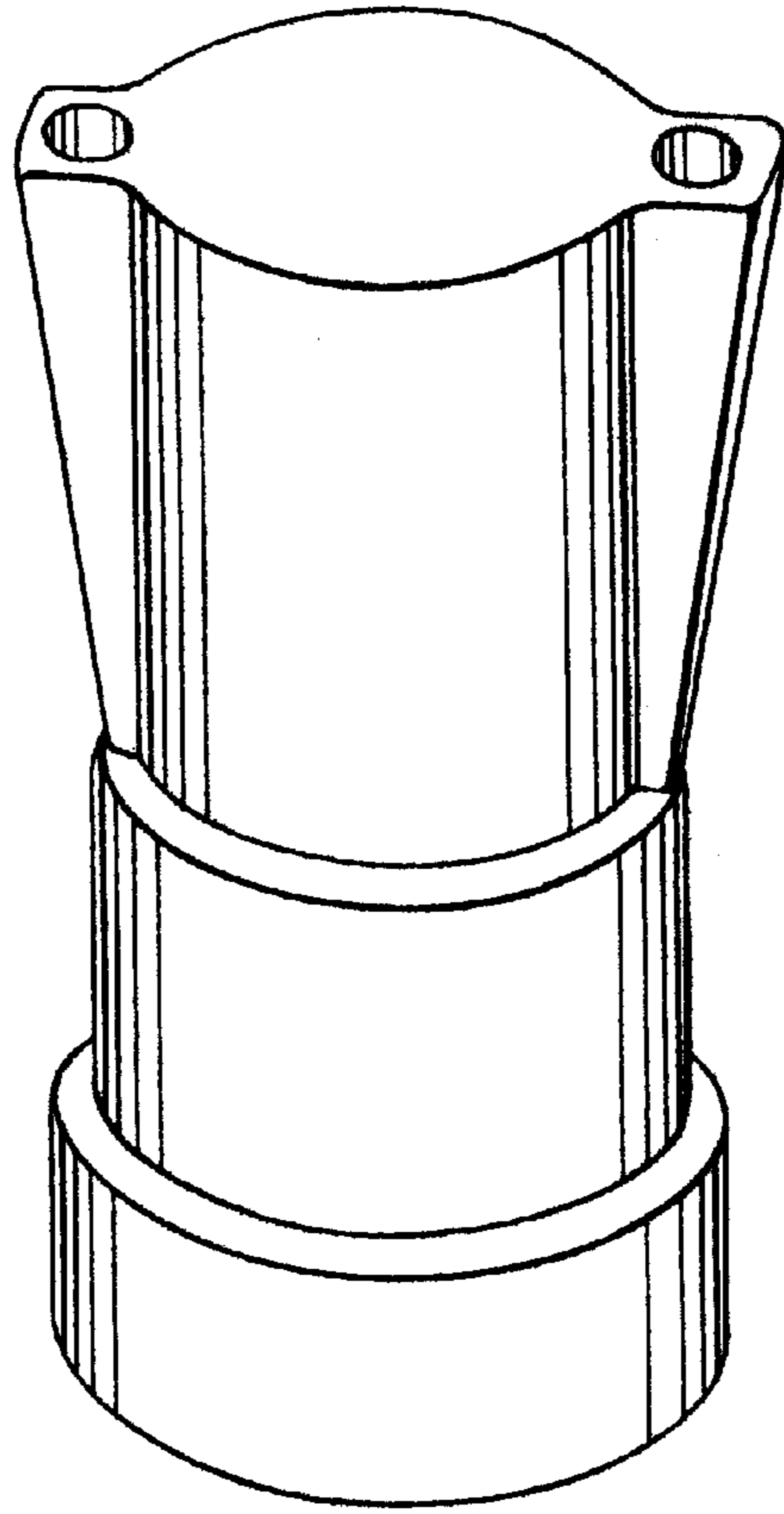


FIG. 1

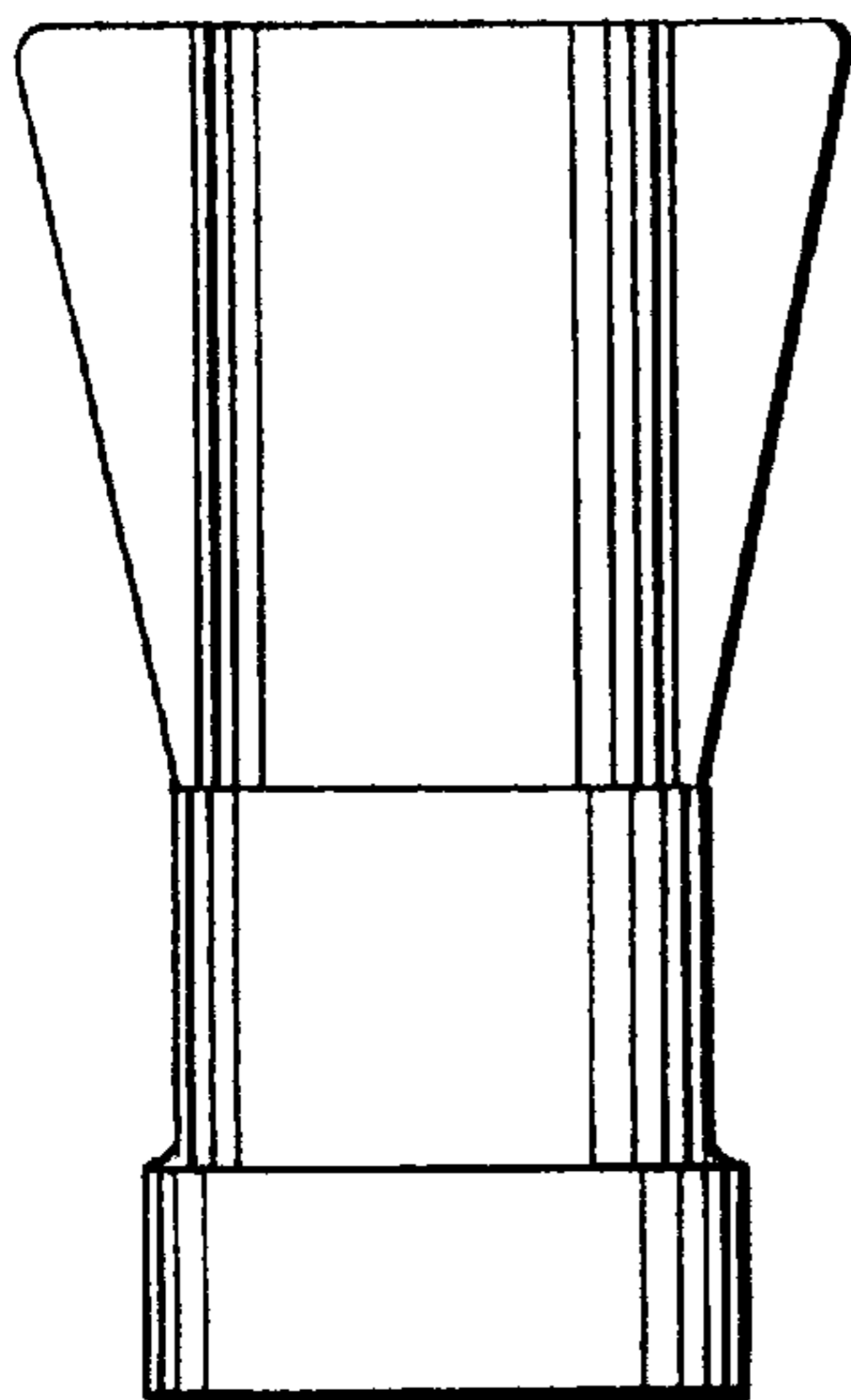


FIG. 2

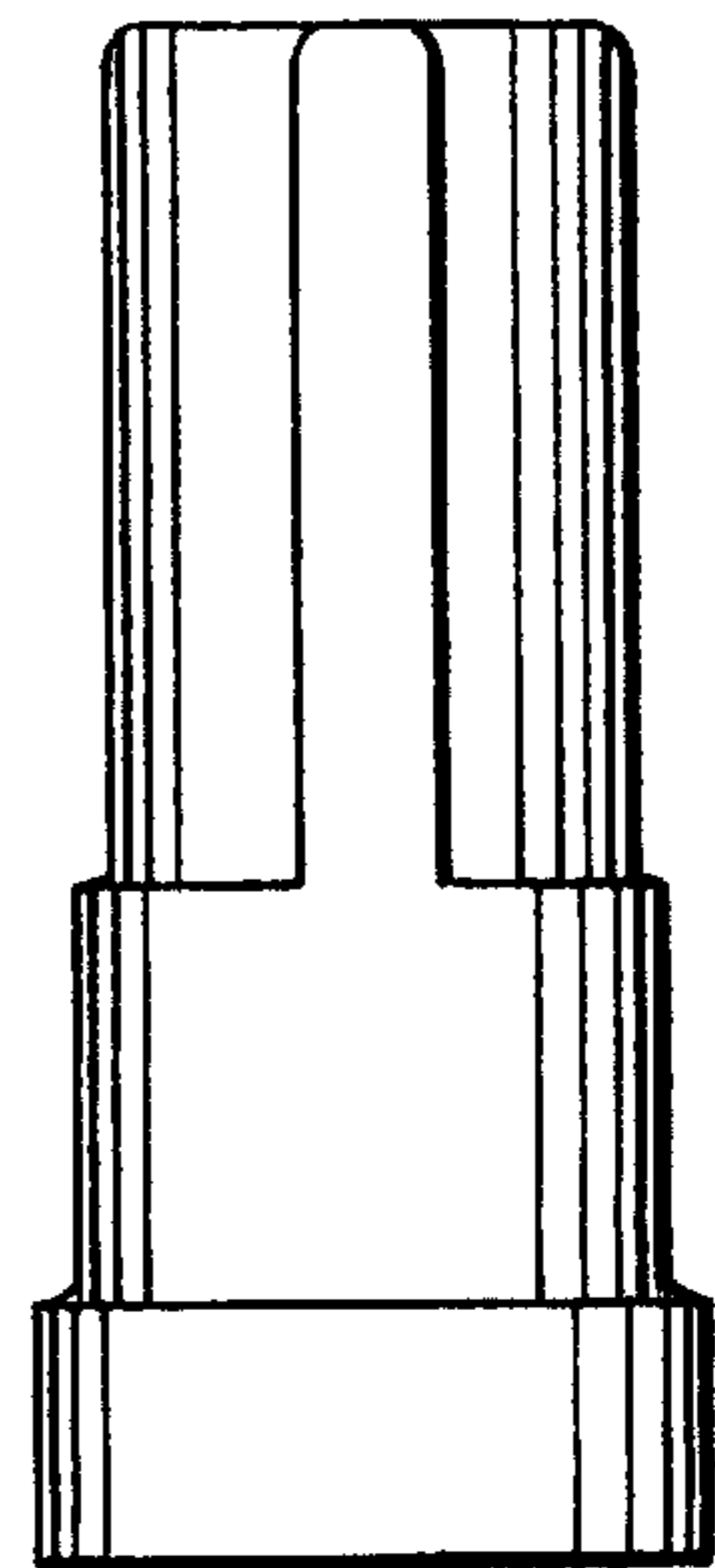


FIG. 3

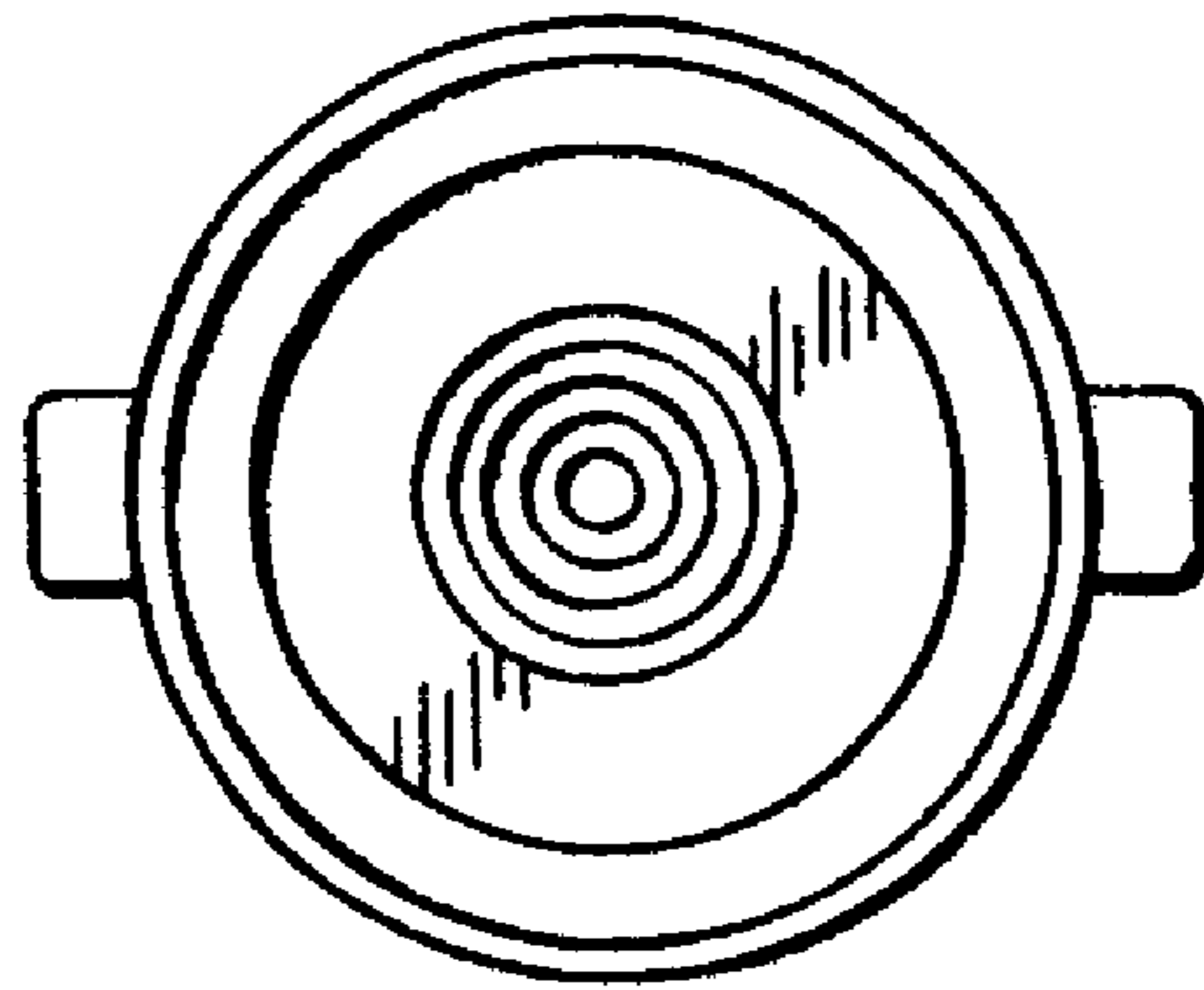


FIG. 4

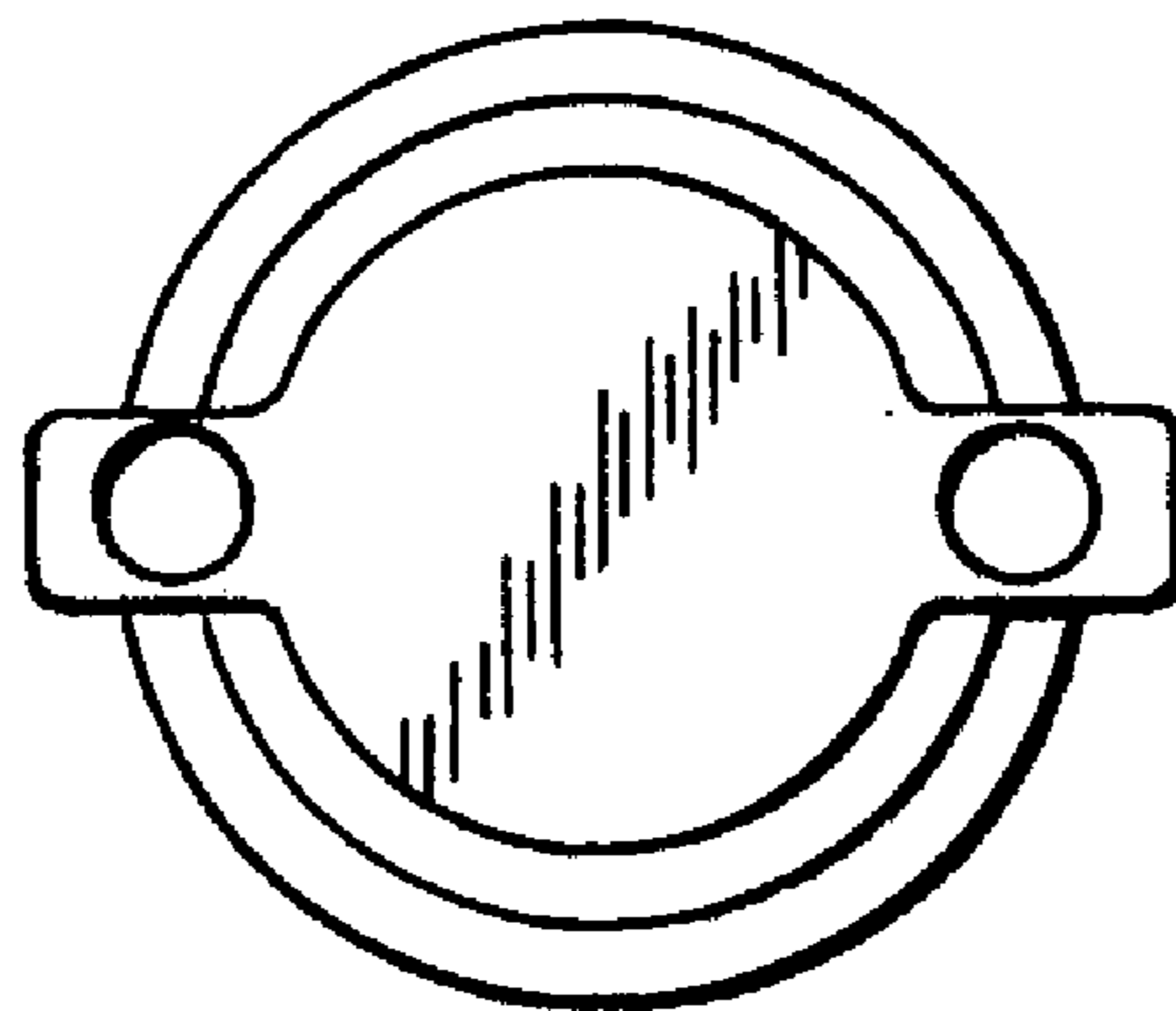


FIG. 5