



US00D415468S

# United States Patent [19]

[11] **Patent Number: Des. 415,468**

**Klaus et al.**

[45] **Date of Patent: \*\* Oct. 19, 1999**

[54] **COMPACT FLUORESCENT BULB SOCKET**

[75] Inventors: **Dale A. Klaus**, St. Albans; **Wendell Dodson**, Webster Groves; **Swee Tan**, St. Louis, all of Mo.

[73] Assignee: **Dal Partnership**, St. Louis, Mo.

[\*\*] Term: **14 Years**

[21] Appl. No.: **29/093,170**

[22] Filed: **Sep. 4, 1998**

[51] **LOC (6) Cl.** ..... **13-03**

[52] **U.S. Cl.** ..... **D13/134**

[58] **Field of Search** ..... D13/134; 313/318.01, 313/318.05, 318.09, 323, 324; 439/226, 232, 242, 243; 362/260, 221

[56] **References Cited**

**U.S. PATENT DOCUMENTS**

D. 380,731	7/1997	Schadhauser	.....	D13/134
4,803,600	2/1989	Pepping	.....	362/217
5,253,152	10/1993	Yang et al.	.....	362/221
5,362,246	11/1994	Lau	.....	439/231
5,585,688	12/1996	DeKleine	.	
5,700,154	12/1997	Geary	.....	439/236

*Primary Examiner*—Joel Sincavage  
*Attorney, Agent, or Firm*—Polster, Lieder, Woodruff & Lucchesi

[57] **CLAIM**

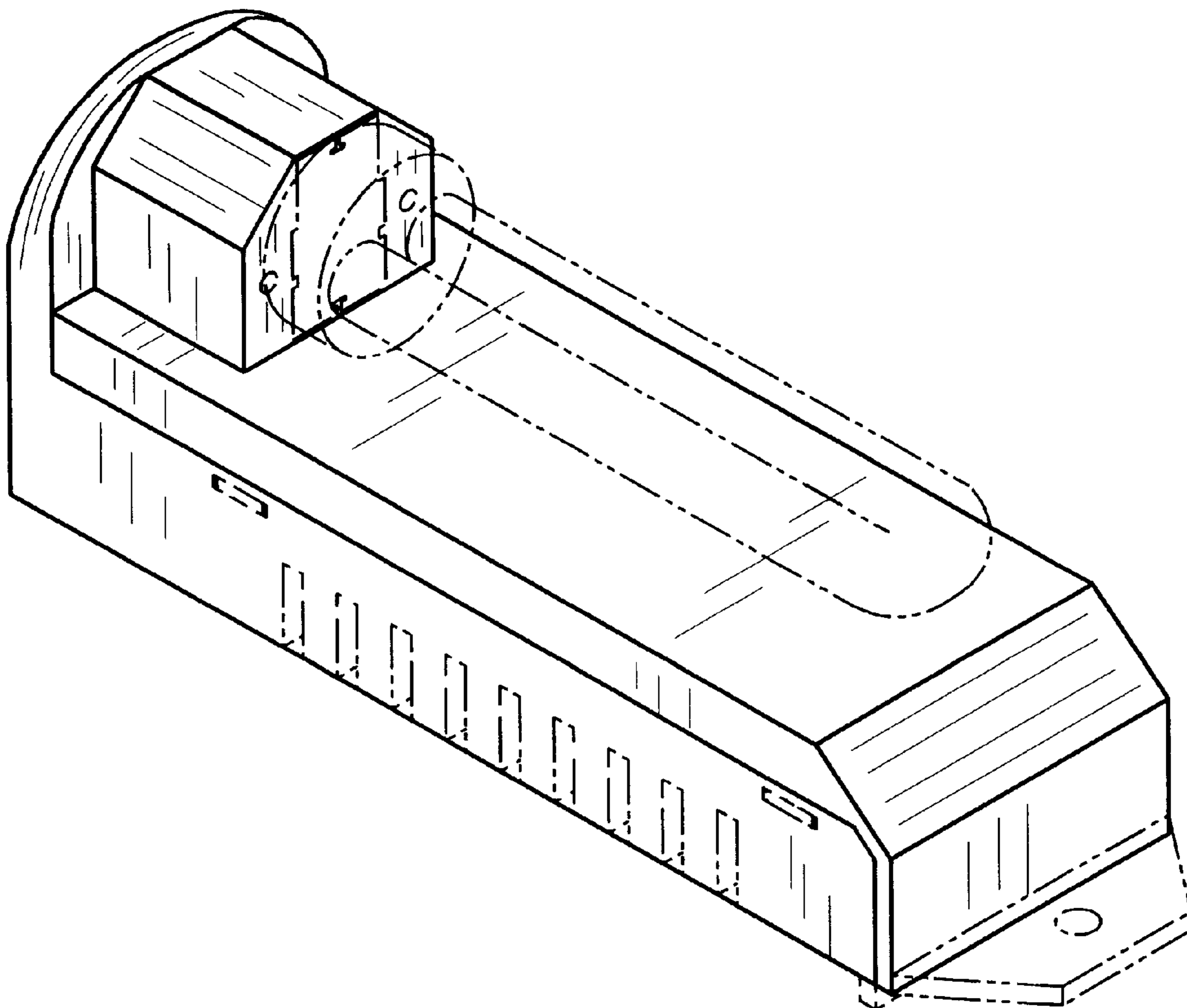
The ornamental design for compact fluorescent bulb socket, as shown and described.

**DESCRIPTION**

FIG. 1 is a perspective view of the compact fluorescent bulb socket of the present invention;  
FIG. 2 is a right side elevational view of the compact fluorescent bulb socket;  
FIG. 3 is a left side elevational view of the compact fluorescent bulb socket;  
FIG. 4 is a top plan view of the compact fluorescent bulb socket;  
FIG. 5 is a bottom plan view of the compact fluorescent bulb socket;  
FIG. 6 is a rear elevational view of the compact fluorescent bulb socket; and,  
FIG. 7 is a front elevational view of the compact fluorescent bulb socket.

The broken line showing throughout the drawing figures is included for the purpose of illustrating environmental structure only and forms no part of the claimed design.

**1 Claim, 2 Drawing Sheets**



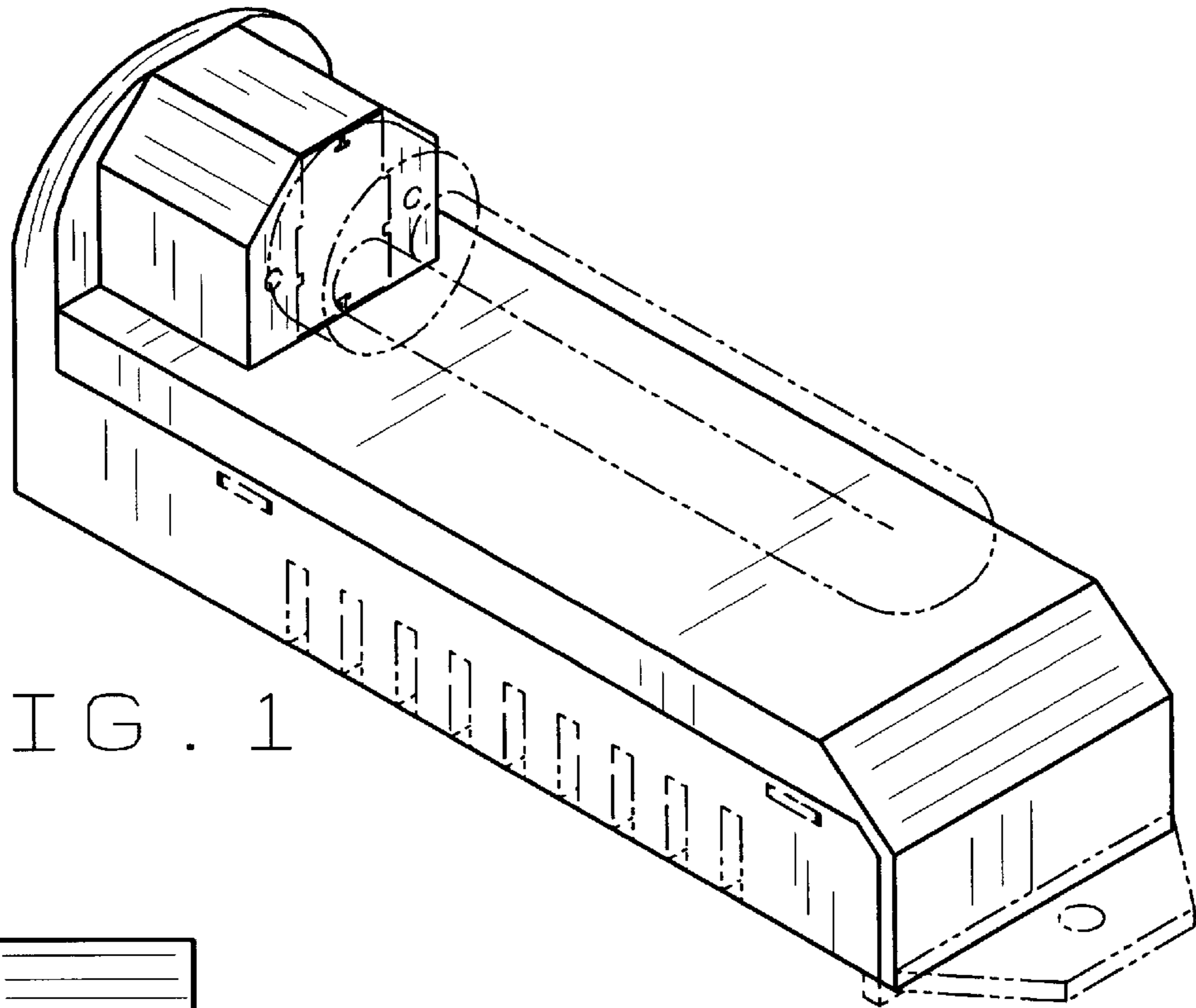


FIG. 1



FIG. 2

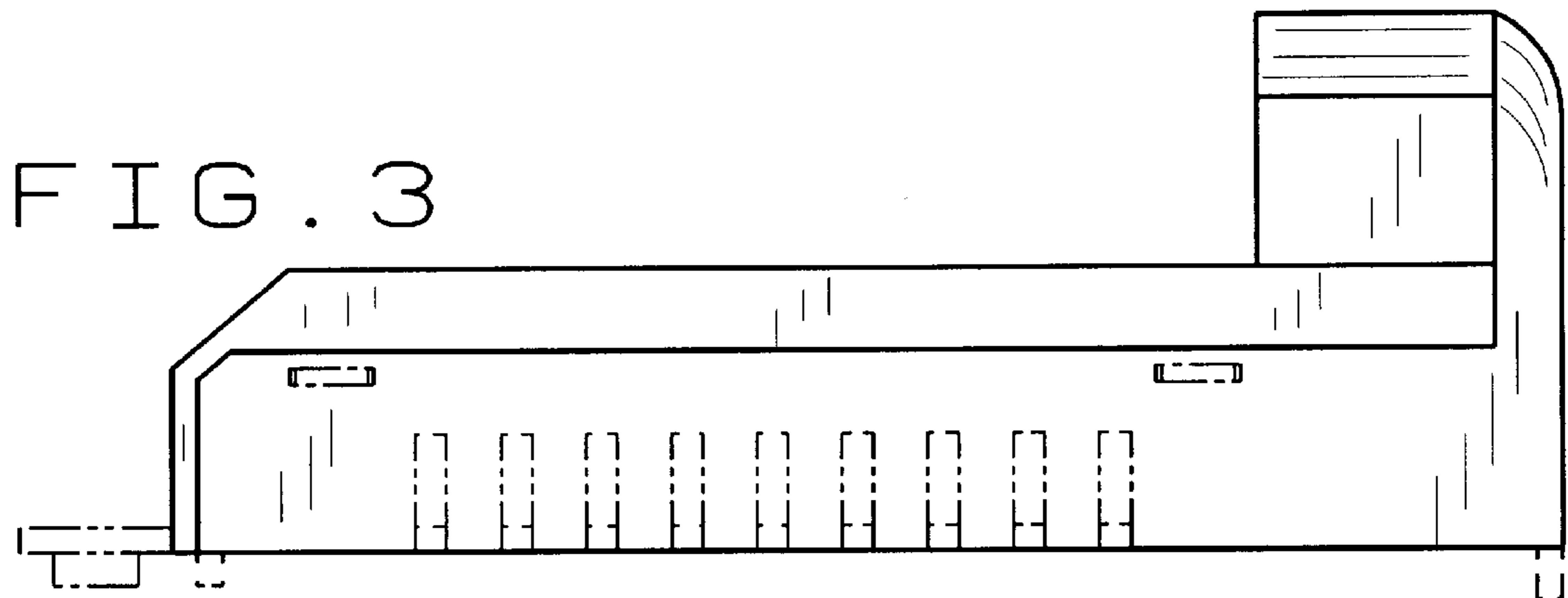


FIG. 3

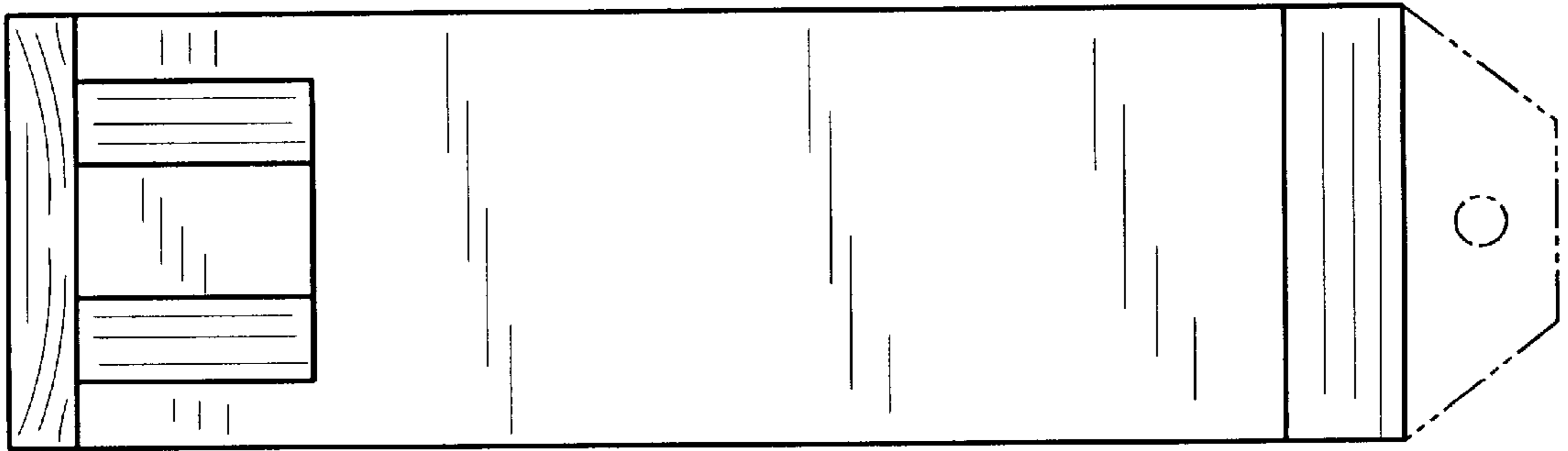


FIG. 4

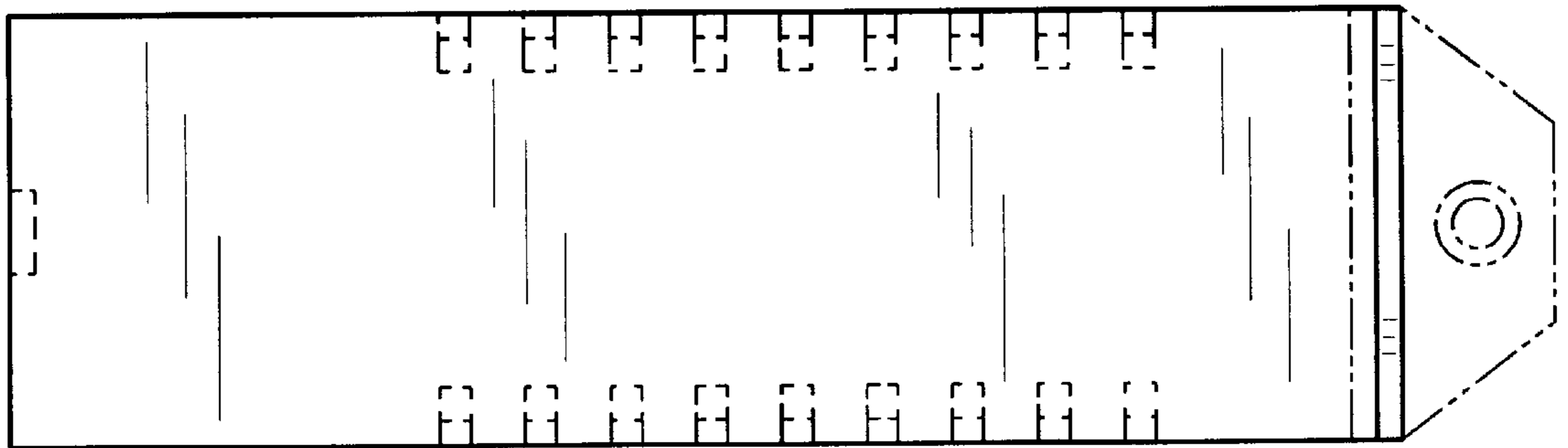


FIG. 5

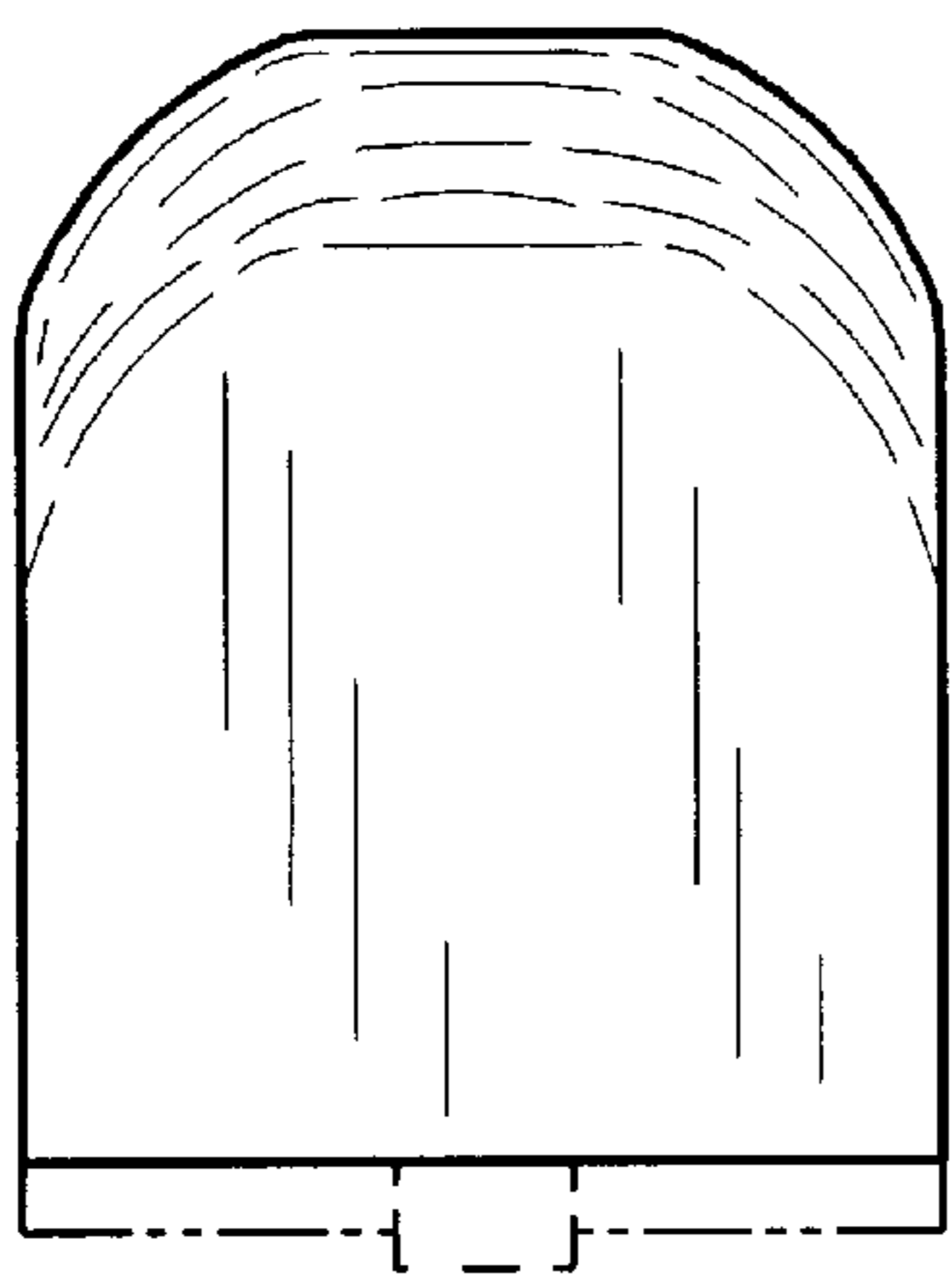


FIG. 6

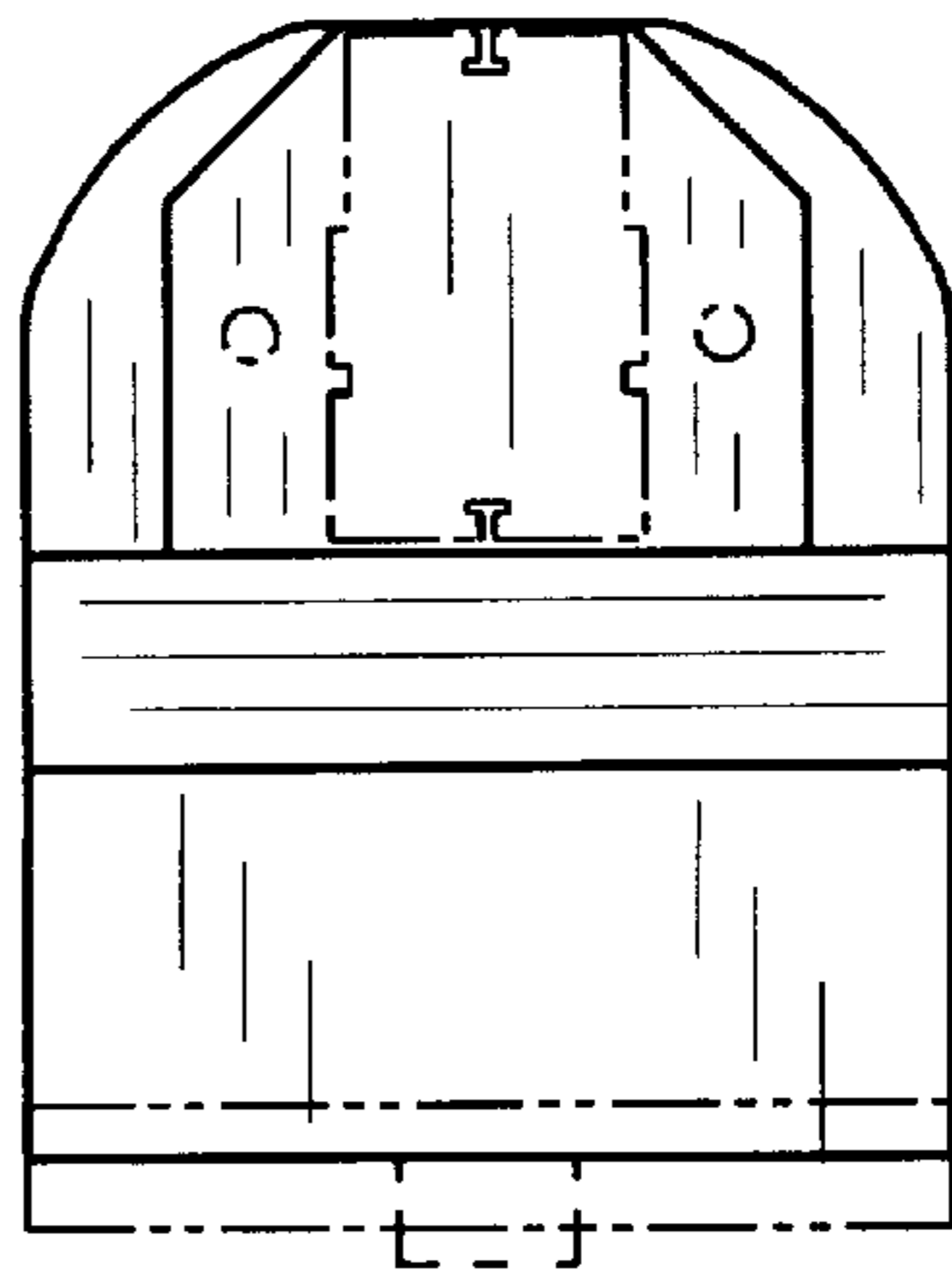


FIG. 7