



US00D415467S

United States Patent [19] Starkey

[11] **Patent Number: Des. 415,467**

[45] **Date of Patent: ** Oct. 19, 1999**

[54] **RECESSED CONNECTOR**

[75] Inventor: **Glenn Starkey**, North Barrington, Ill.

[73] Assignee: **Progressive Components International Corporation**, Wauconda, Ill.

[**] Term: **14 Years**

[21] Appl. No.: **29/089,115**

[22] Filed: **Jun. 8, 1998**

[51] **LOC (6) Cl.** **13-03**

[52] **U.S. Cl.** **D13/133**

[58] **Field of Search** D13/133; 439/55,
439/78, 83, 510, 721, 883, 884; 174/68.1

[56] **References Cited**

U.S. PATENT DOCUMENTS

D. 202,428	9/1965	Weinstock	D13/133
2,884,613	4/1959	Chandler, Jr. et al.	439/721 X
3,210,719	10/1965	Graeff	439/883
3,391,375	7/1968	Richards	439/78 X
4,331,375	5/1982	Takamatsu	439/884 X
5,078,613	1/1992	Salmon	439/92

5,380,222	1/1995	Kobayashi	439/78 X
5,398,166	3/1995	Yonezawa et al.	439/78 X
5,424,918	6/1995	Felps et al.	439/78 X
5,442,142	8/1995	Hayashi	439/78

Primary Examiner—Joel Sincavage
Attorney, Agent, or Firm—Fitch, Even, Tabin & Flannery

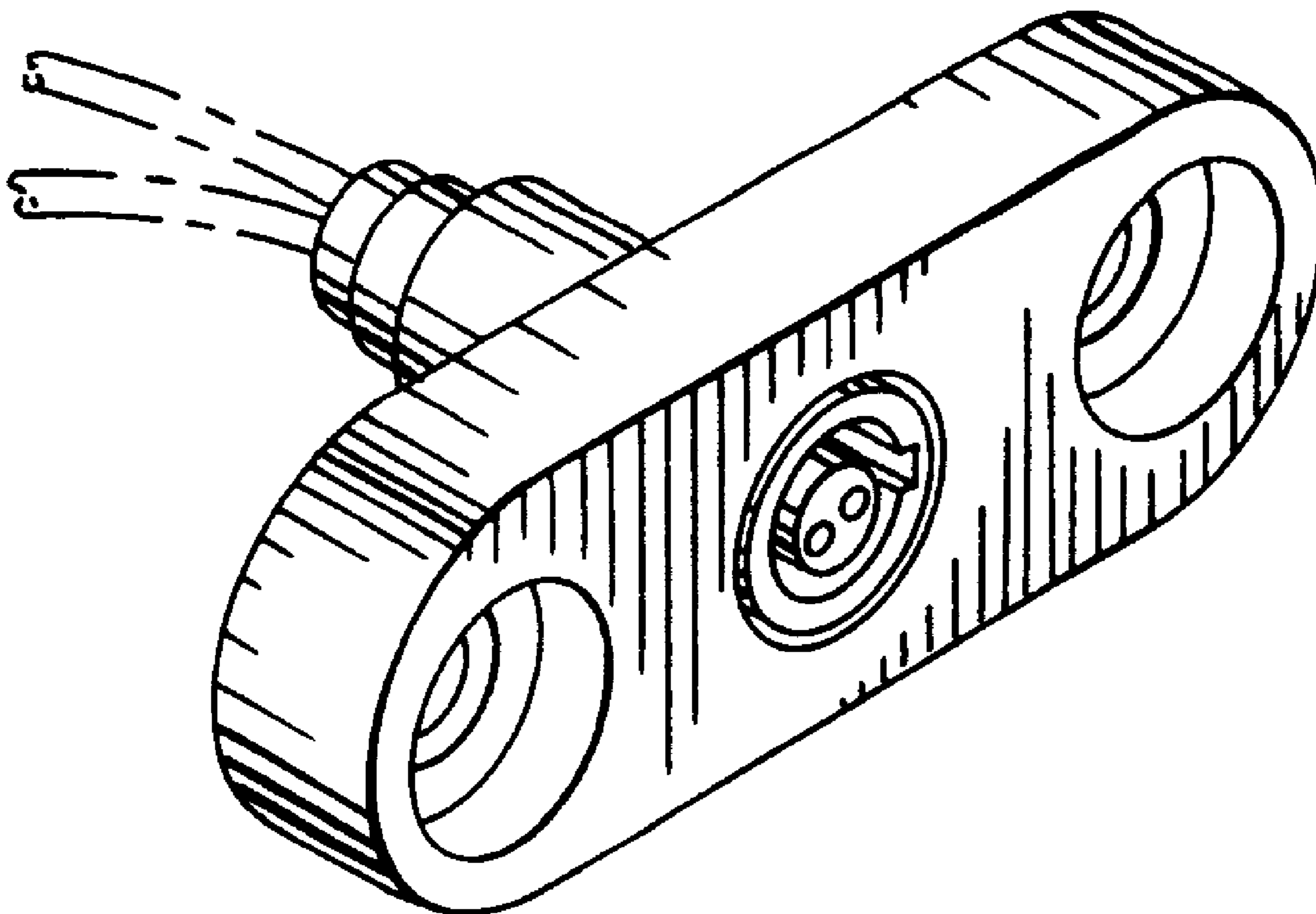
[57] **CLAIM**

The ornamental design for a recessed connector, as shown and described.

DESCRIPTION

FIG. 1 is a perspective view of a recessed connector according to our design;
FIG. 2 is a top plan view of the recessed connector of FIG. 1;
FIG. 3 is a side elevational view of the recessed connector of FIG. 1;
FIG. 4 is a bottom plan view of the recessed connector of FIG. 1; and,
FIG. 5 is an end elevational view of the recessed connector of FIG. 1.

1 Claim, 1 Drawing Sheet



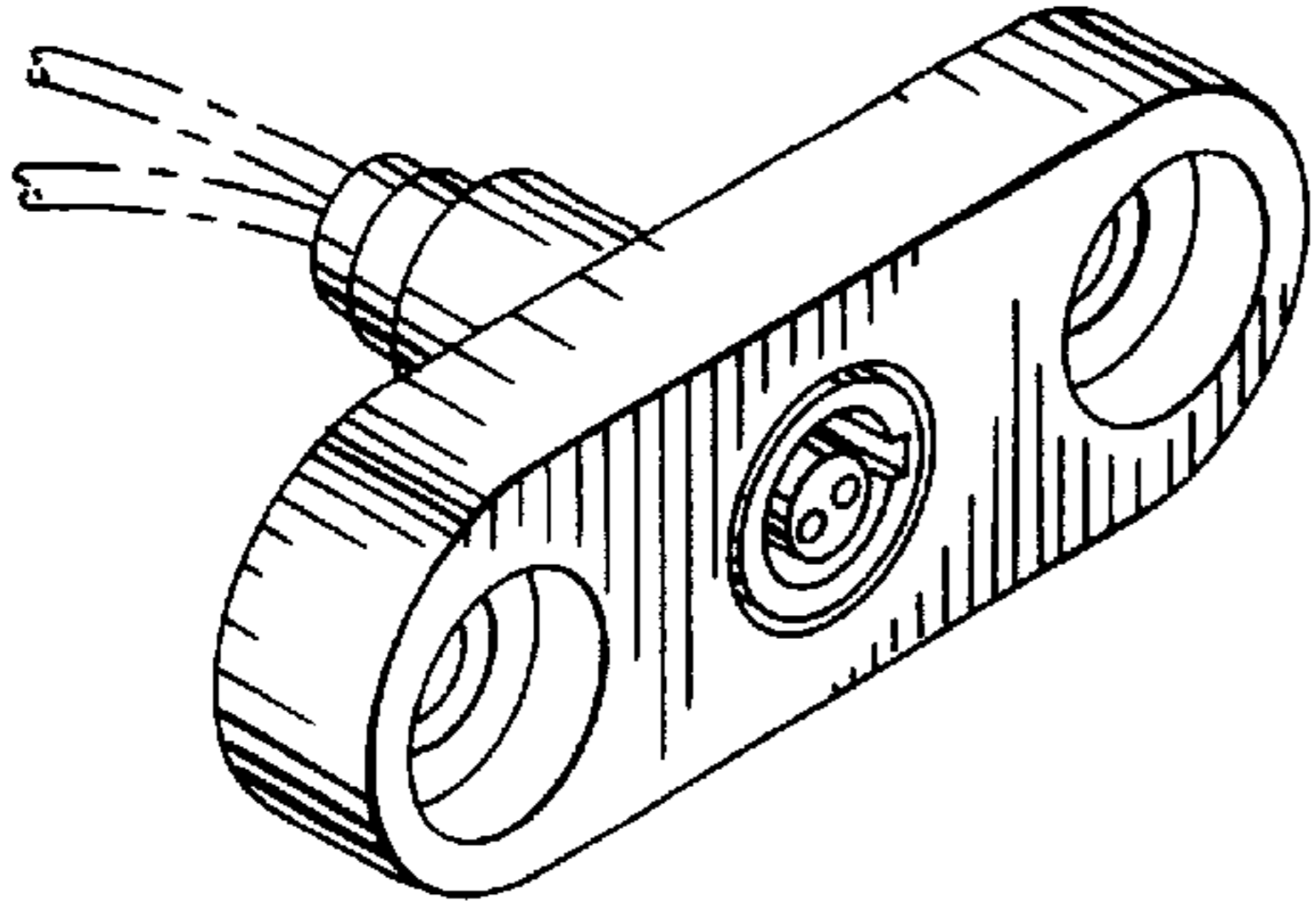


FIG. 1

FIG. 2

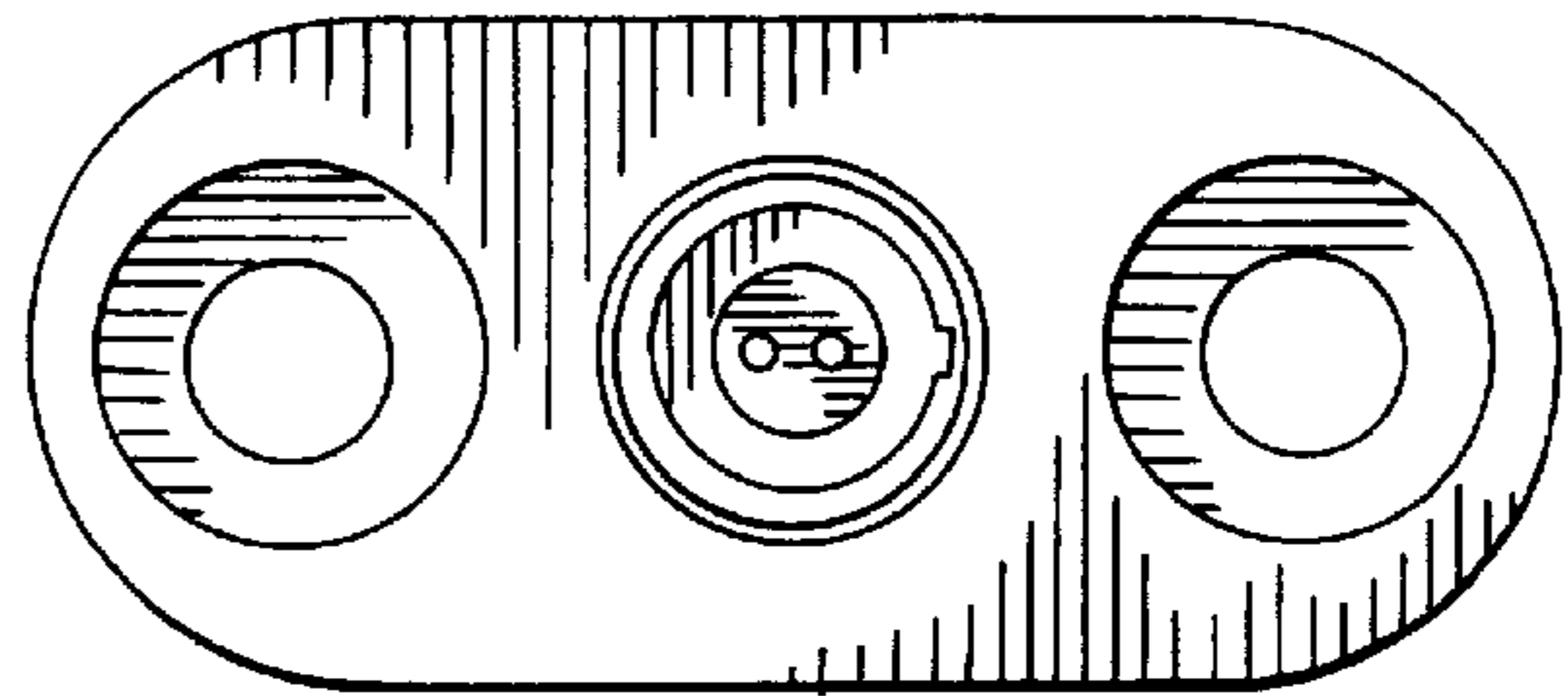


FIG. 3

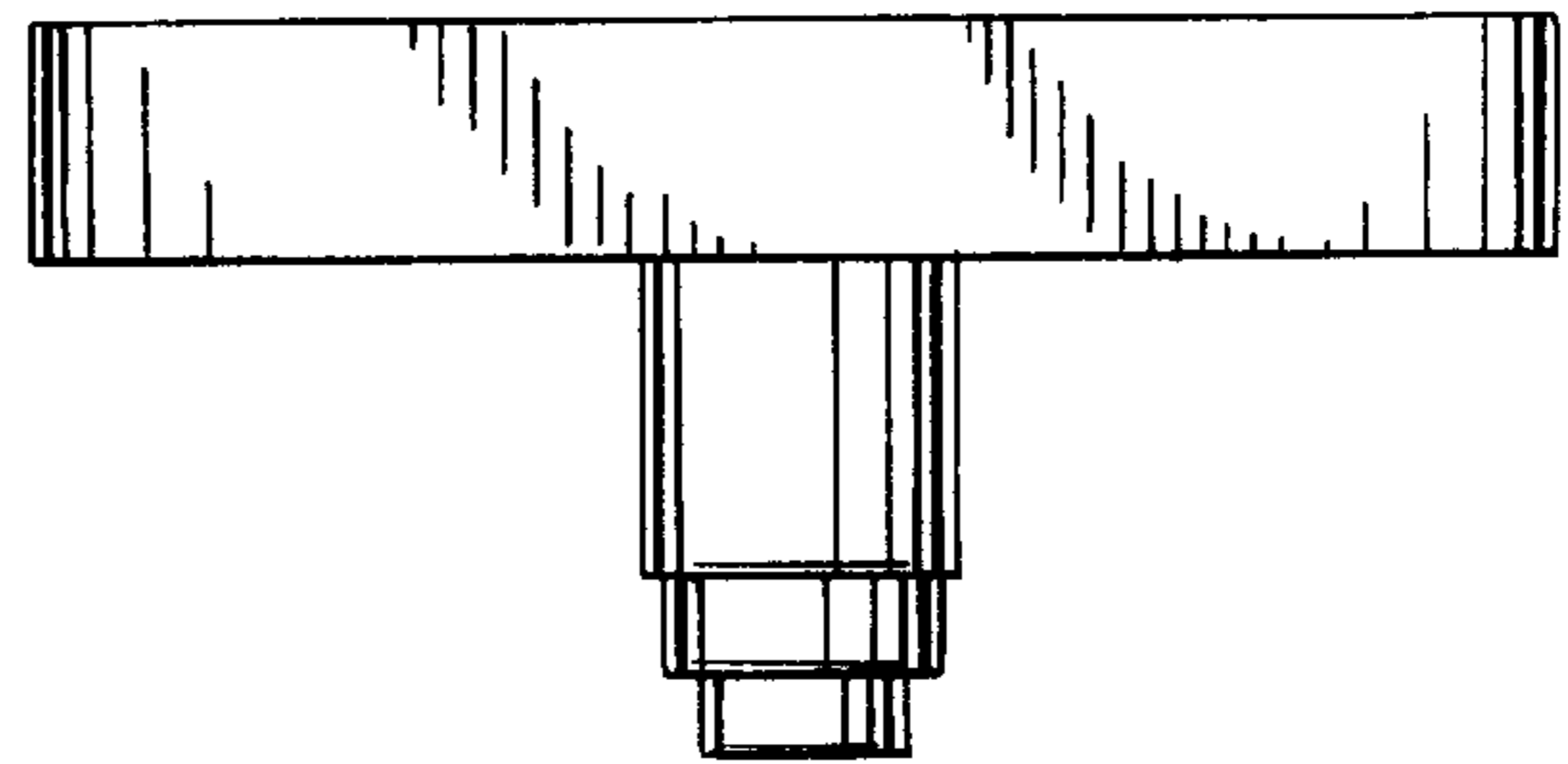


FIG. 5

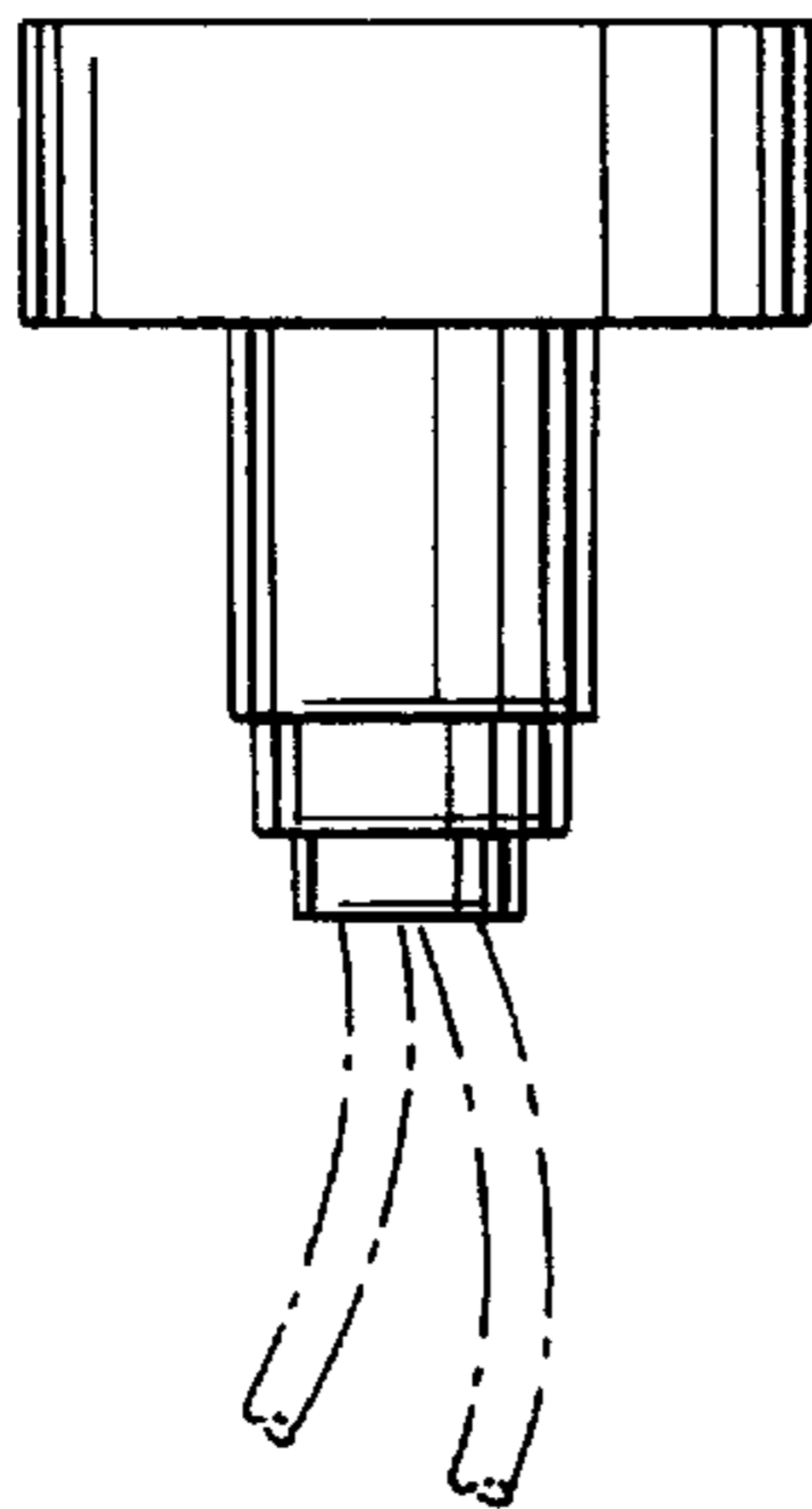


FIG. 4

