



US00D415466S

# United States Patent [19]

Kawa

[11] Patent Number: Des. 415,466

[45] Date of Patent: \*\* Oct. 19, 1999

[54] BATTERY FOR AN ELECTRONIC COMPUTER

[75] Inventor: Mitsuo Kawa, Nara-ken, Japan

[73] Assignee: Sharp Kabushiki Kaisha, Osaka, Japan

[\*\*] Term: 14 Years

[21] Appl. No.: 29/096,489

[22] Filed: Nov. 13, 1998

### [30] Foreign Application Priority Data

May 15, 1998 [JP] Japan ..... 10-13724

[51] LOC (6) Cl. .... 13-02

[52] U.S. Cl. .... D13/103

[58] Field of Search ..... D13/103; 428/96-100, 428/163, 176; 361/683

### [56] References Cited

#### U.S. PATENT DOCUMENTS

|            |        |                      |         |
|------------|--------|----------------------|---------|
| D. 329,634 | 9/1992 | Mizusugi et al. .... | D13/103 |
| D. 405,755 | 2/1999 | Arai et al. ....     | D13/103 |
| 5,293,300  | 3/1994 | Leung ....           | 361/683 |
| 5,642,258  | 6/1997 | Barrus et al. ....   | 361/683 |

5,677,827 10/1997 Yoshioka et al. .... 361/683

Primary Examiner—Joel Sincavage  
Attorney, Agent, or Firm—Nixon & Vanderhye

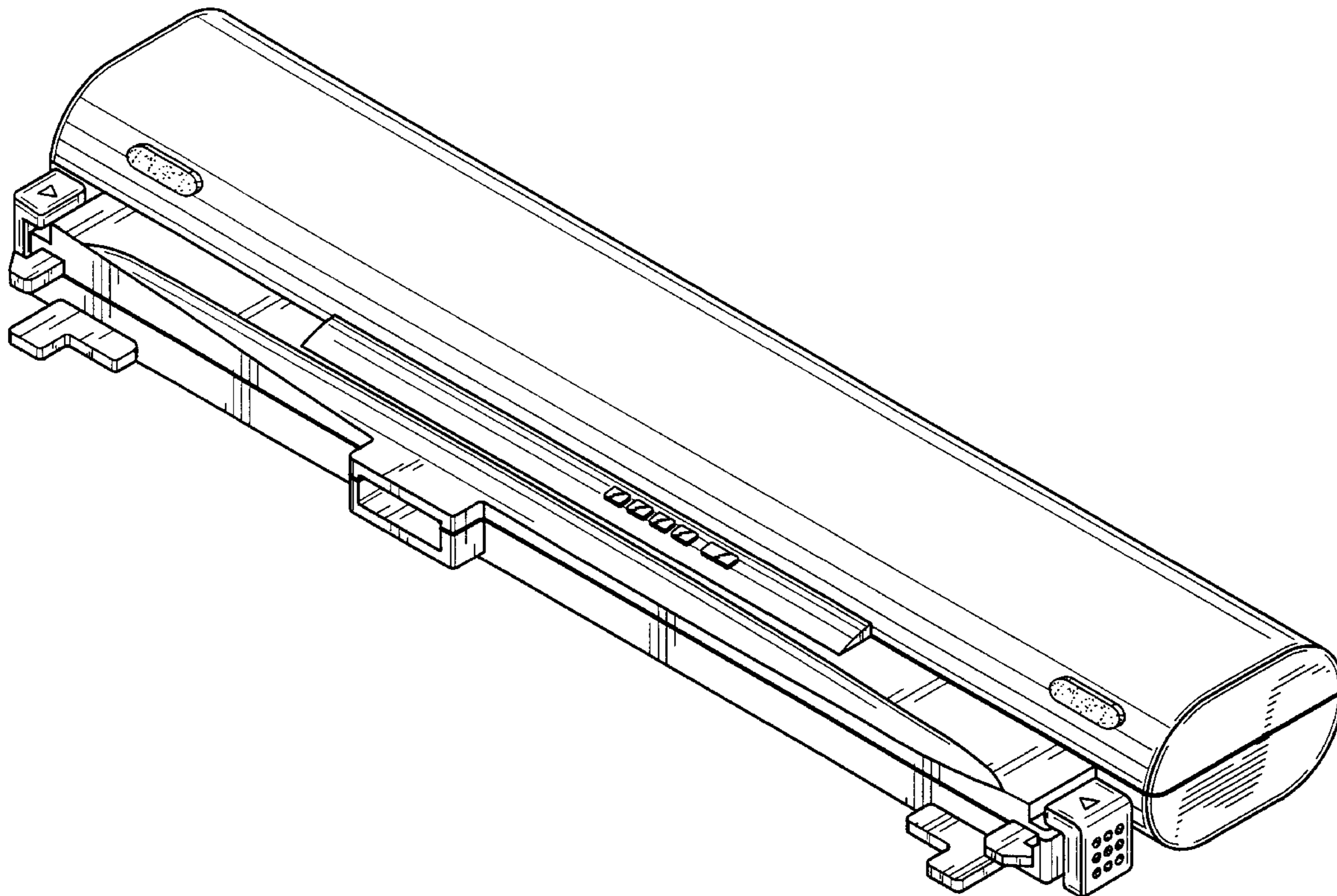
### [57] CLAIM

The ornamental design for a “battery for an electronic computer”, as shown and described.

### DESCRIPTION

FIG. 1 is a top, front and right side perspective view of a battery for an electronic computer according to my design; FIG. 2 is a top plan view thereof; FIG. 3 is a bottom plan view thereof; FIG. 4 is a rear elevational view thereof; FIG. 5 is a front elevational view thereof; FIGS. 6 and 7 are left and right side elevational views thereof, respectively; and, FIG. 8 is a view similar to FIG. 1 illustrating the battery for an electronic computer coupled to an electronic computer, the dashed lines illustrating an electronic computer which forms part of the environmental structure in which the battery for an electronic computer is used and does not form part of the present invention.

1 Claim, 4 Drawing Sheets



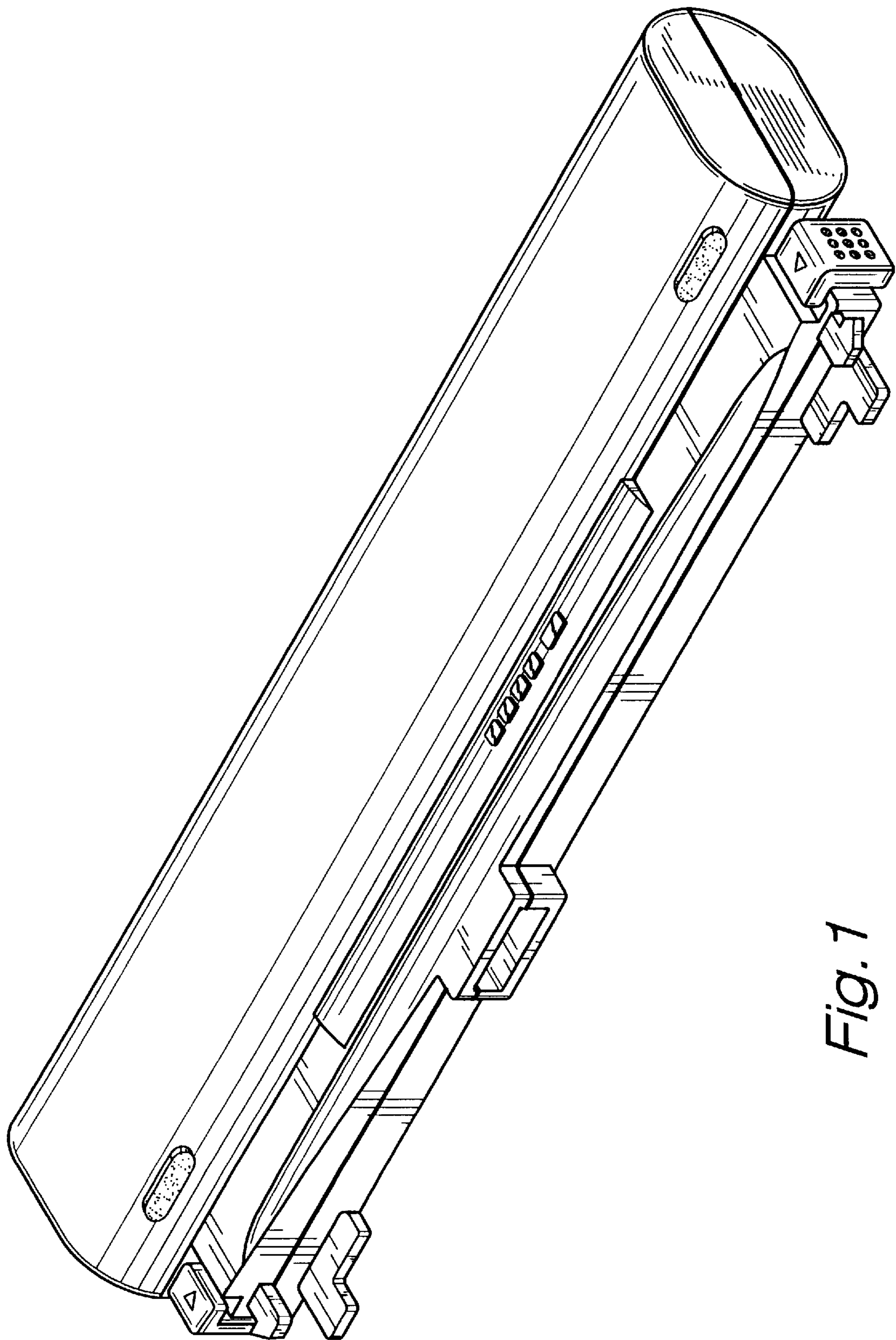


Fig. 1

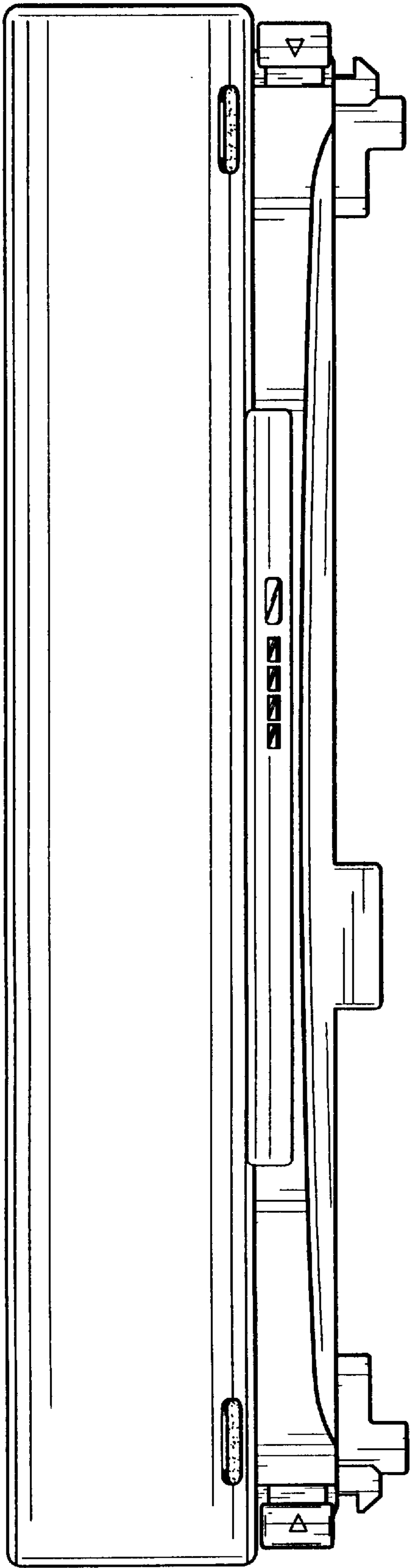


Fig. 2

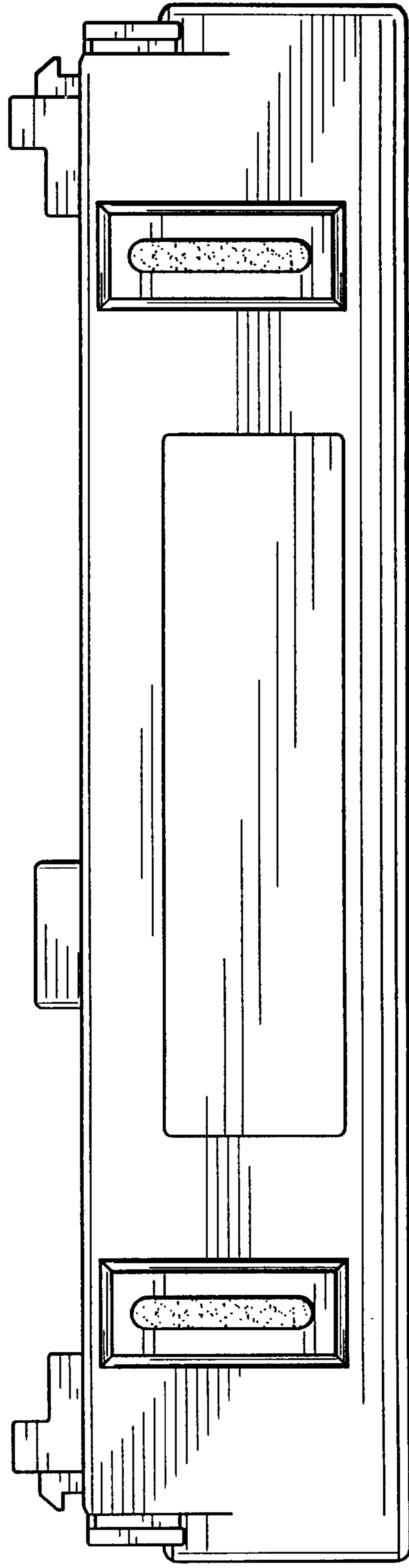


Fig. 3

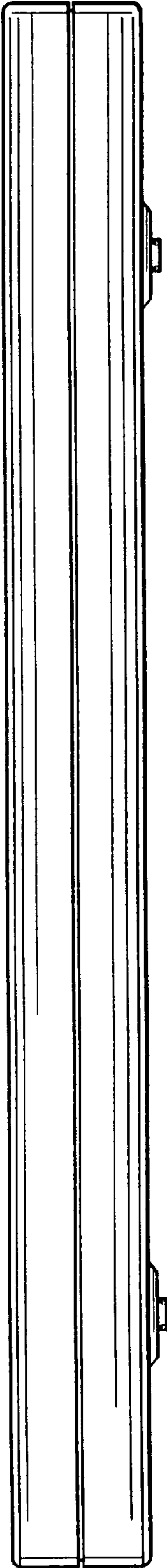


Fig. 4

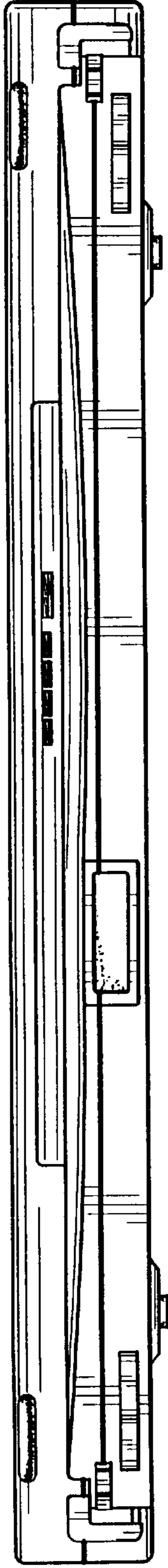


Fig. 5

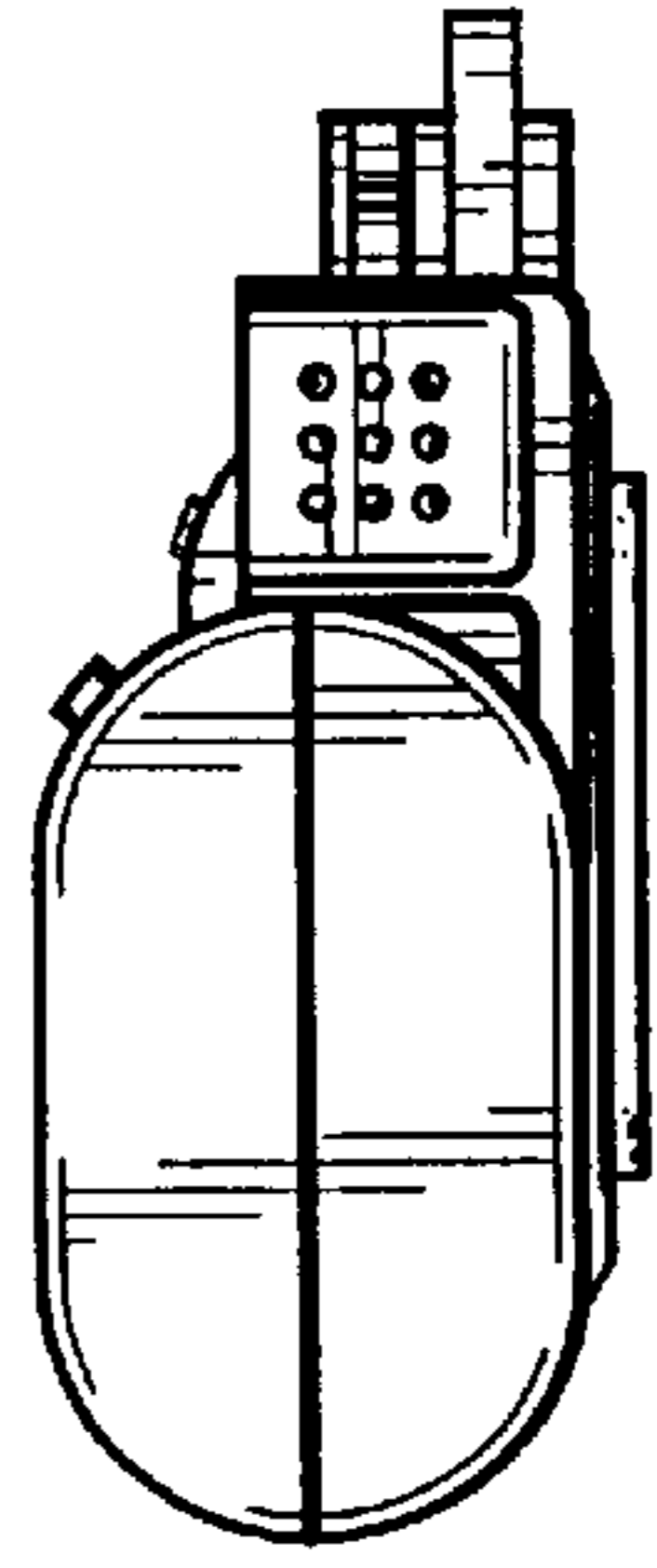


Fig. 6

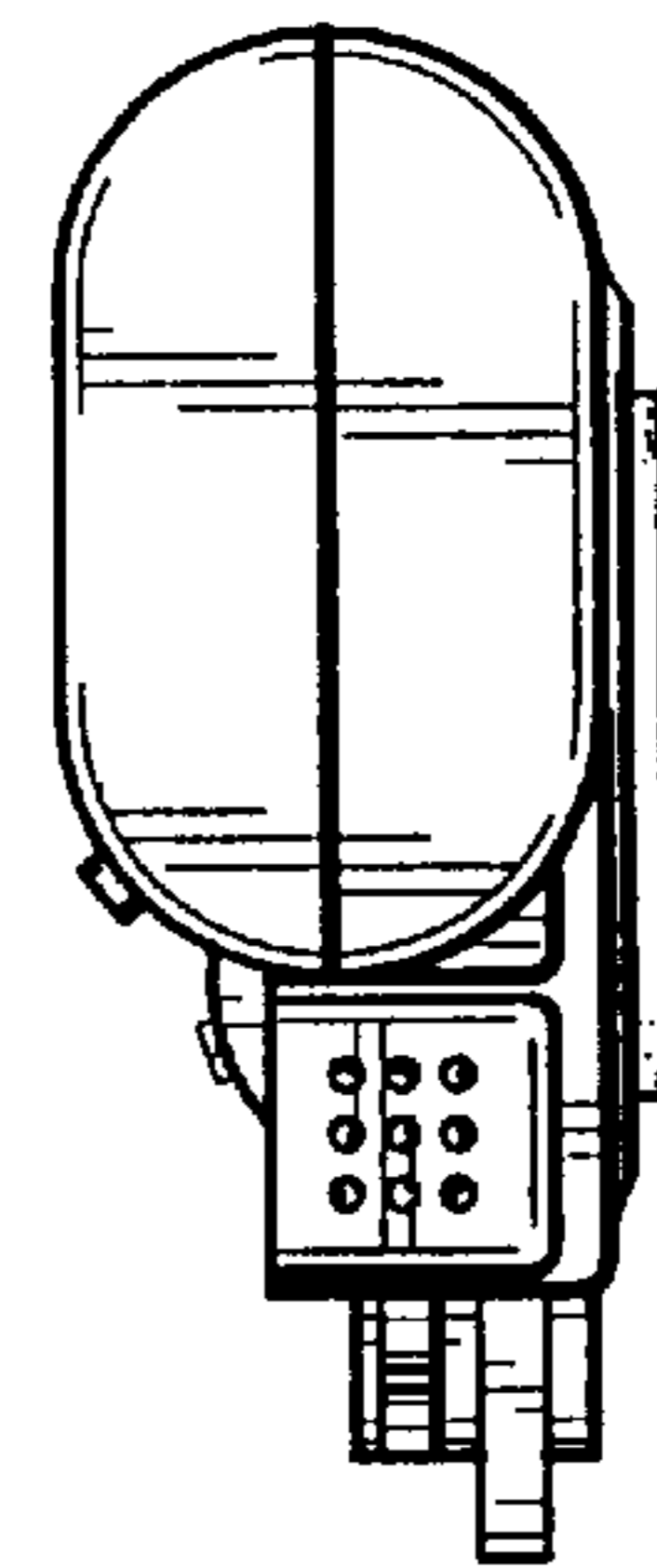


Fig. 7



