



US00D415457S

United States Patent [19]

Young et al.

[11] Patent Number: Des. 415,457

[45] Date of Patent: ** Oct. 19, 1999

[54] TRAILER HITCH RECEIVER TUBE COVER

4,979,843 12/1990 Perry 293/122

[75] Inventors: David A. Young, Plymouth; Jacob S. Belinky, Carleton, both of Mich.

OTHER PUBLICATIONS

Receiver Tube Cover #17-9176P and #12-4550W, J.C. Whitney Catalog #527R, p. 36, Feb. 1991.

[73] Assignee: Draw-Tite, Inc., Canton, Mich.

Primary Examiner—Robert M. Spear
Attorney, Agent, or Firm—Leon E. Redman; Edgar A. Zarins

[**] Term: 14 Years

[21] Appl. No.: 29/095,732

[57] CLAIM

[22] Filed: Oct. 29, 1998

The ornamental design for a trailer hitch receiver tube cover, as shown and described.

Related U.S. Application Data

DESCRIPTION

[62] Division of application No. 29/085,347, Mar. 20, 1998, Pat. No. Des. 405,744.

FIG. 1 is a perspective view of a trailer hitch receiver tube cover showing our new design;

[51] LOC (6) Cl. 12-16

FIG. 2 is a right side elevational view of FIG. 1, the left side being a mirror image of the right side shown;

[52] U.S. Cl. D12/162

FIG. 3 is a top plan view of FIG. 1, the bottom being a mirror image of the top shown;

[58] Field of Search D9/441, 451; D12/162, D12/400; D23/260; 138/89, 89.1, 89.4; 211/14; 280/477, 495, 506, 507; 293/122

FIG. 4 is a front elevational view of FIG. 1;

FIG. 5 is a rear elevational view of FIG. 1;

[56] References Cited

U.S. PATENT DOCUMENTS

D. 349,875	8/1994	Blodgett	D12/162
D. 356,764	3/1995	Thixton, Jr. et al.	D12/162
D. 363,768	10/1995	Morgan	D23/260
1,519,967	12/1924	Hughes	293/122
2,752,170	6/1956	Eversole	280/507
3,782,761	1/1974	Cardin, Sr.	280/507
3,782,767	1/1974	Moore	293/122
4,040,641	8/1977	Riecke	280/507
4,687,026	8/1987	Westman	138/89

FIG. 6 is a perspective view of a second embodiment of the trailer hitch receiver tube cover of FIG. 1;

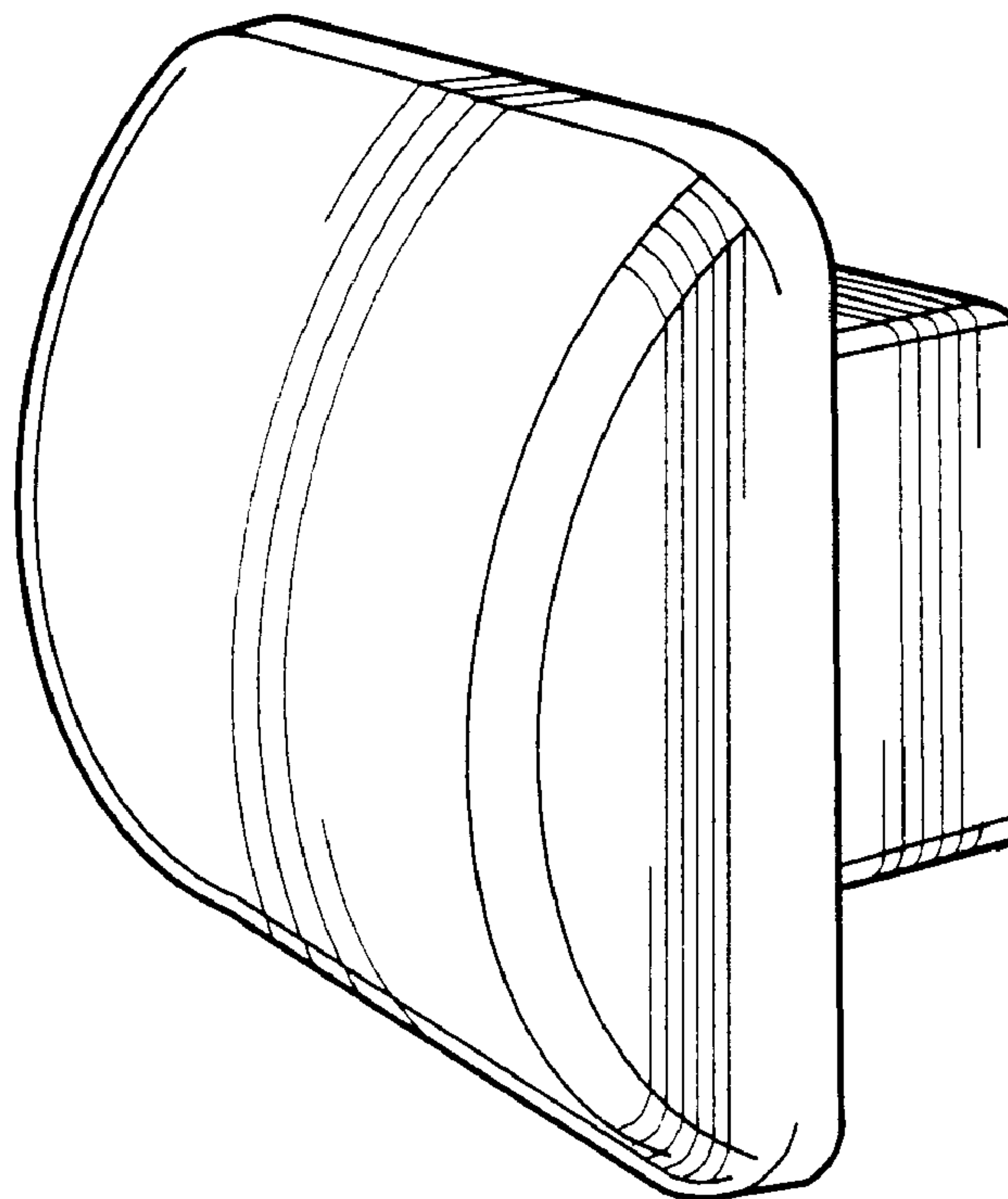
FIG. 7 is a right side elevational view of FIG. 6, the left side being a mirror image of the right side shown;

FIG. 8 is a top plan view of FIG. 6, the bottom being a mirror image of the top shown;

FIG. 9 is a front elevational view of FIG. 6; and,

FIG. 10 is a rear elevational view of FIG. 6.

1 Claim, 4 Drawing Sheets



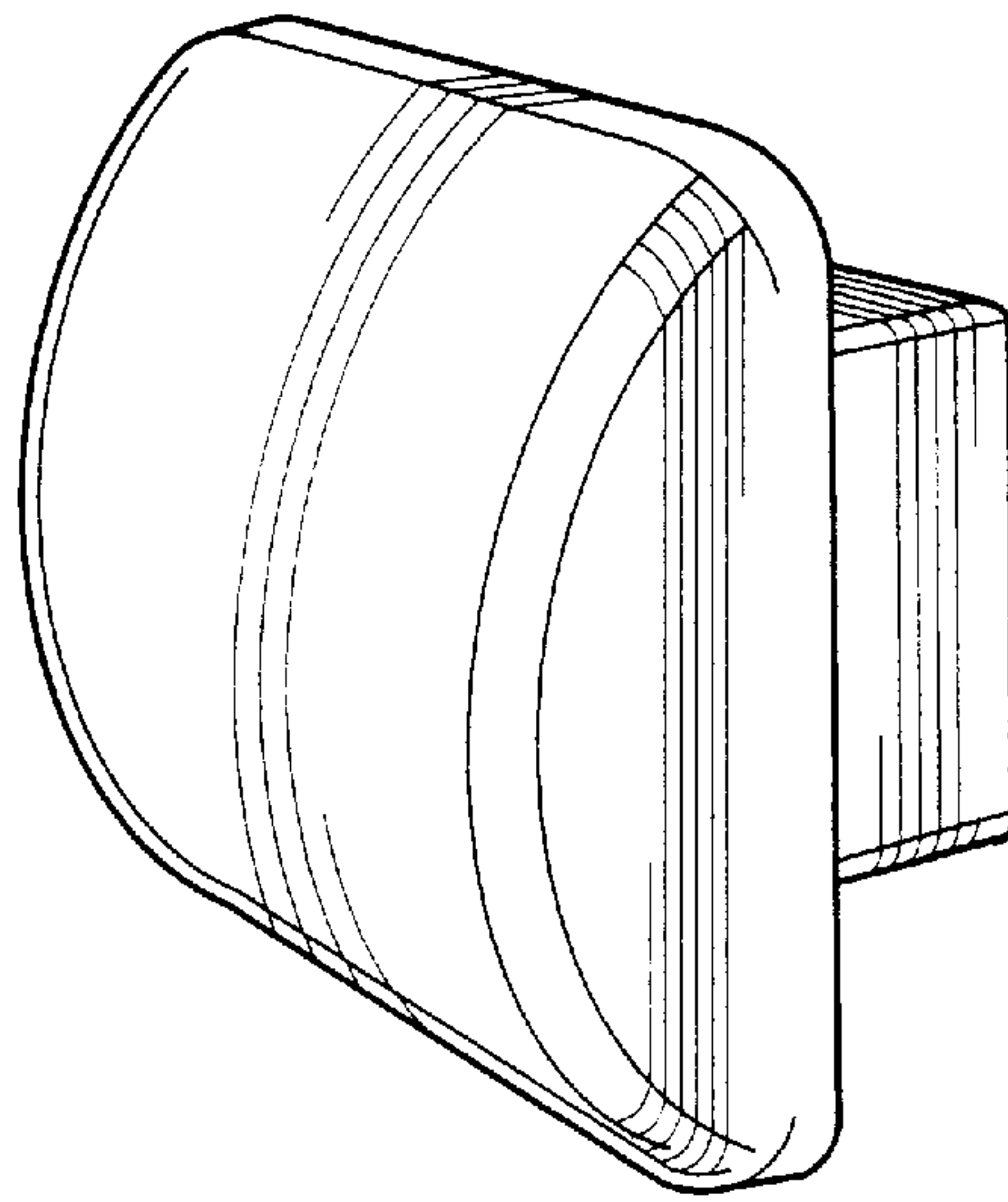


Fig-1

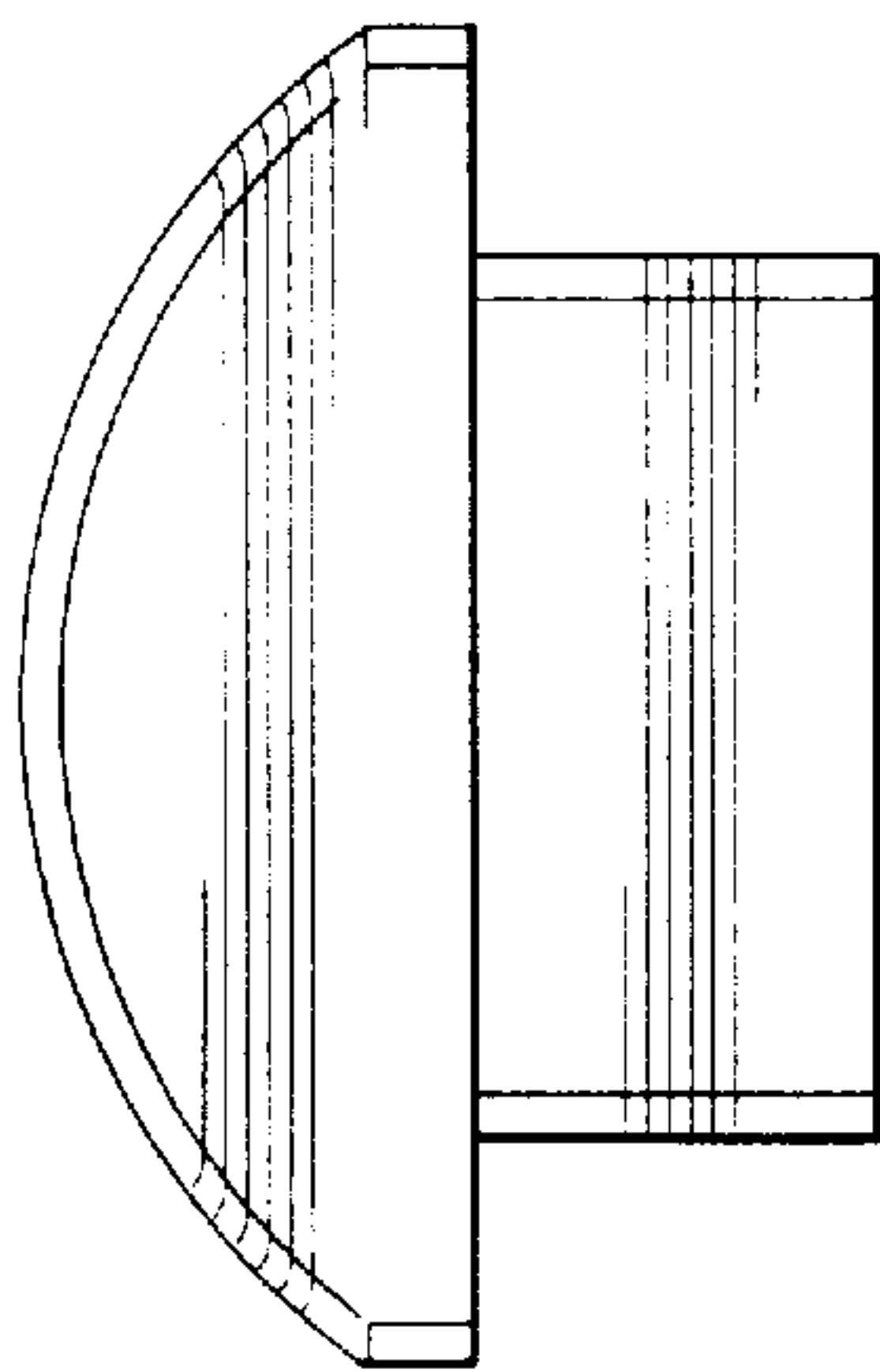


Fig-2

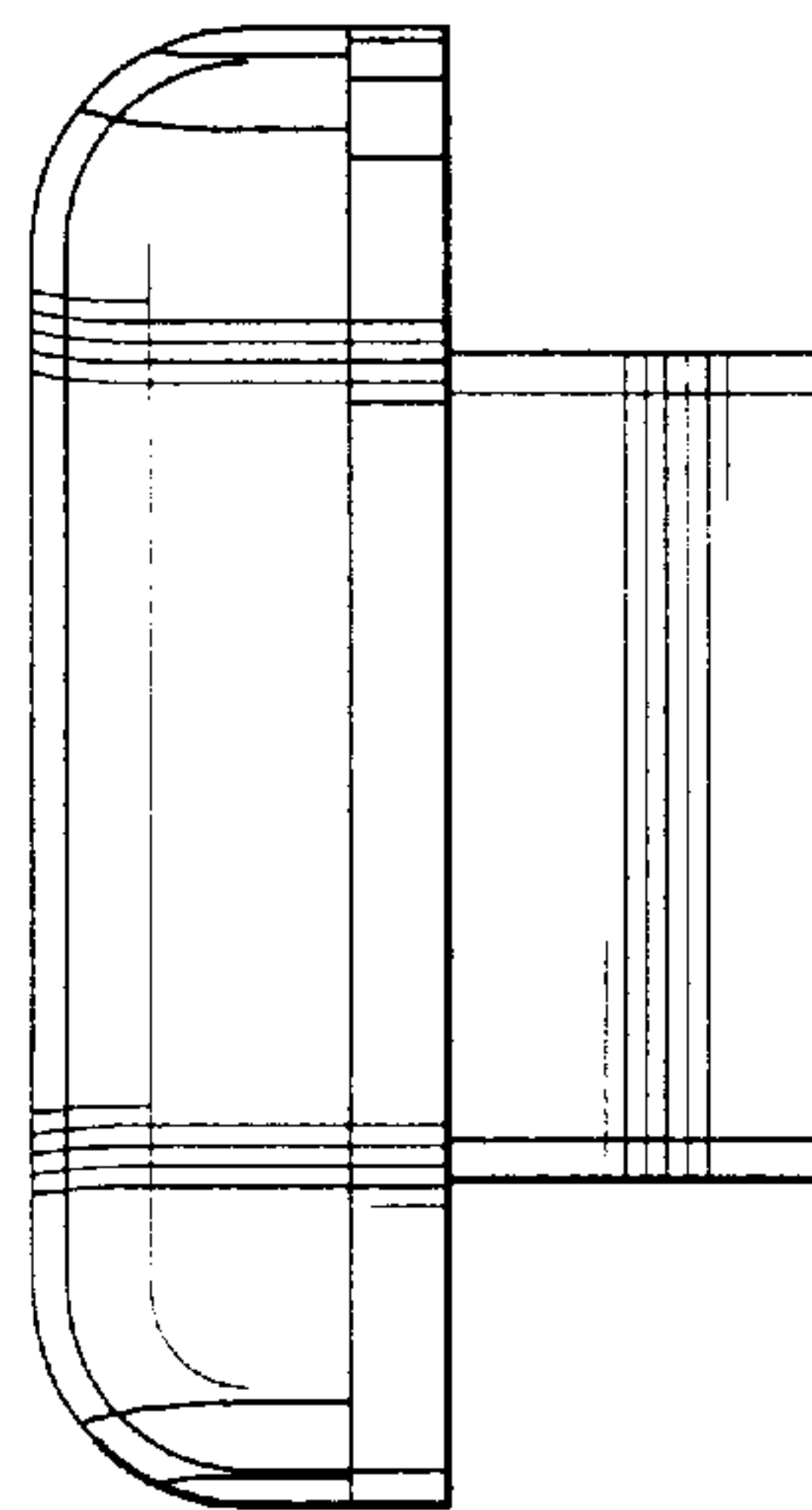


Fig-3

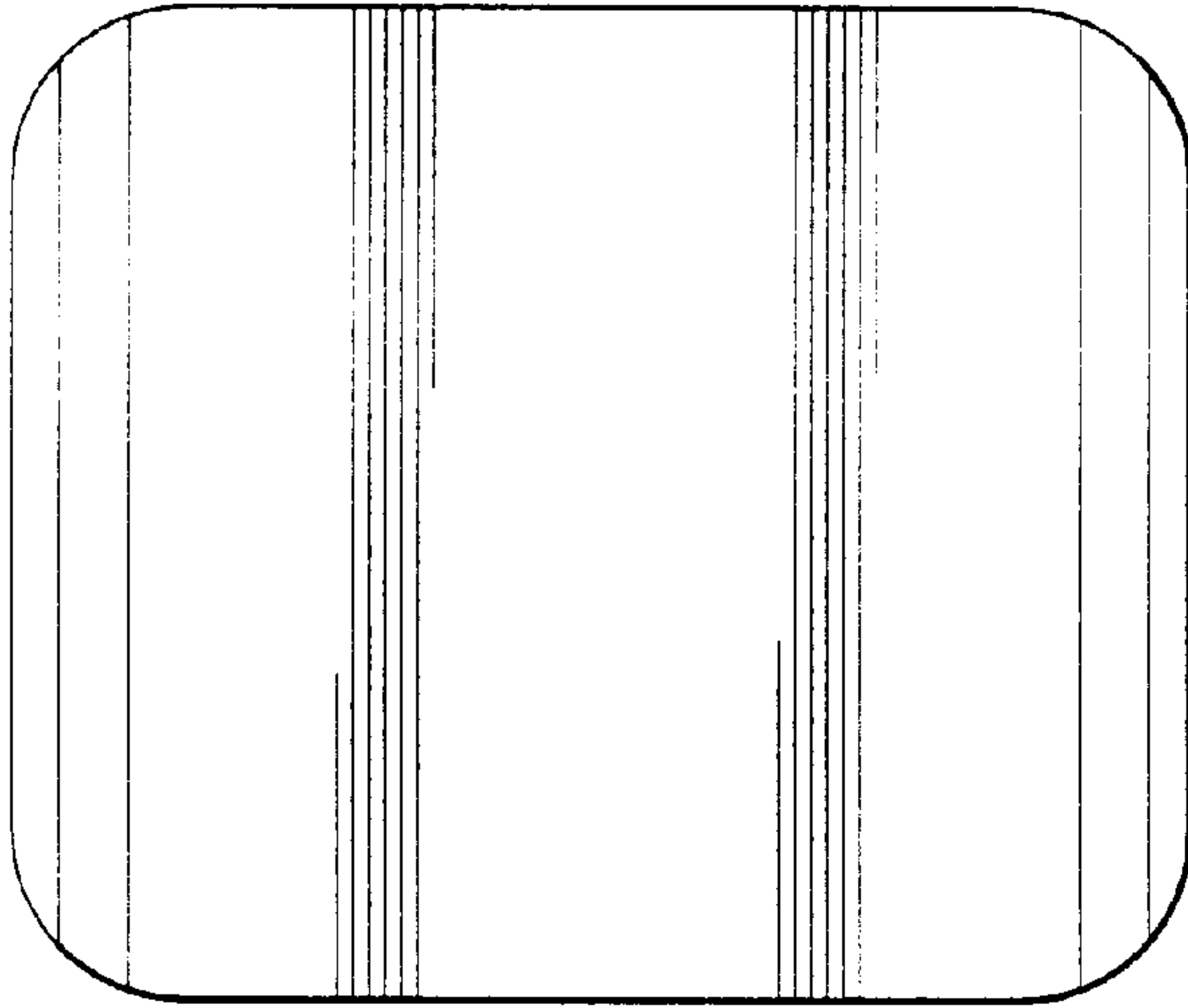


Fig-4

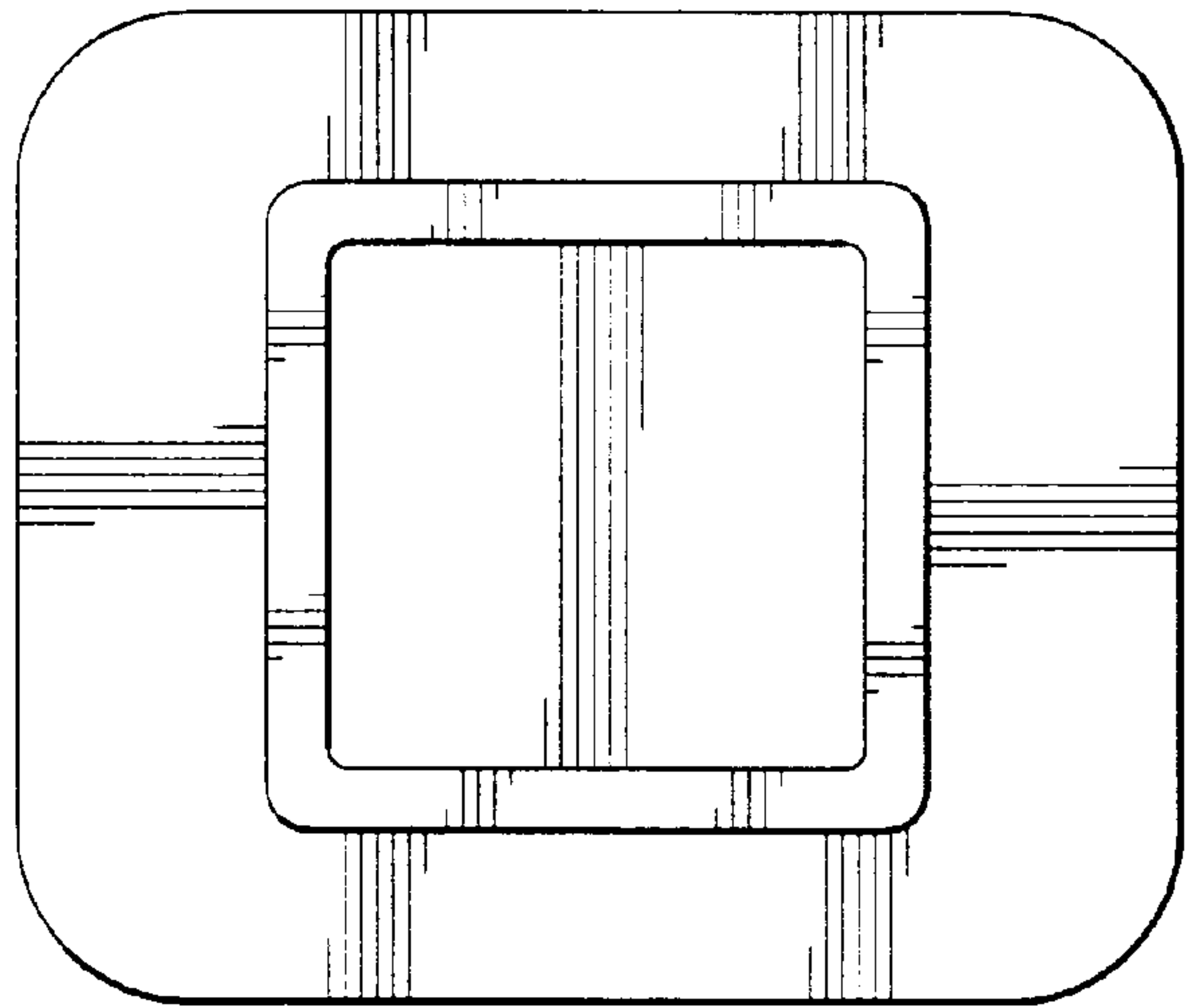


Fig-5

Fig-6

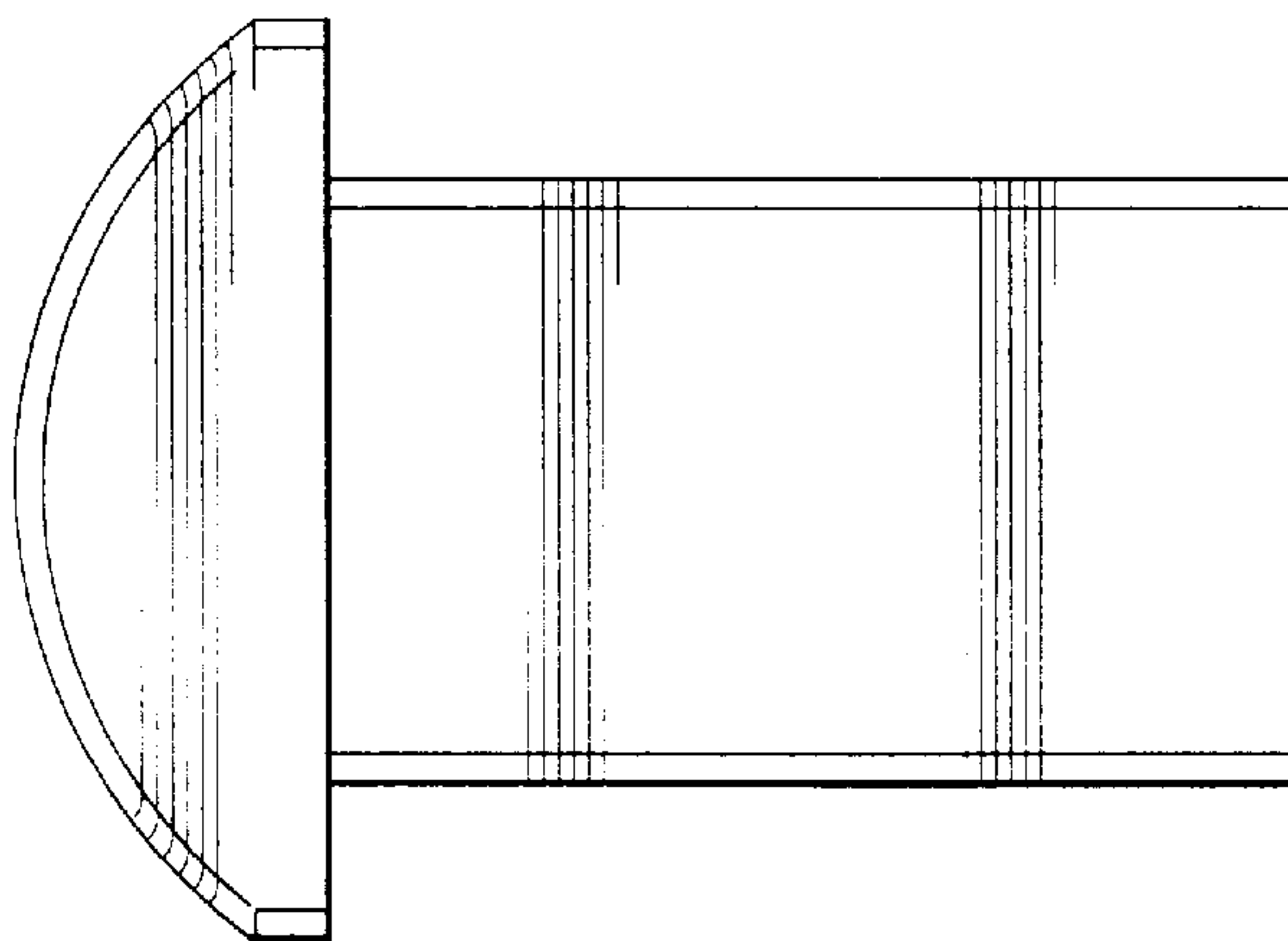
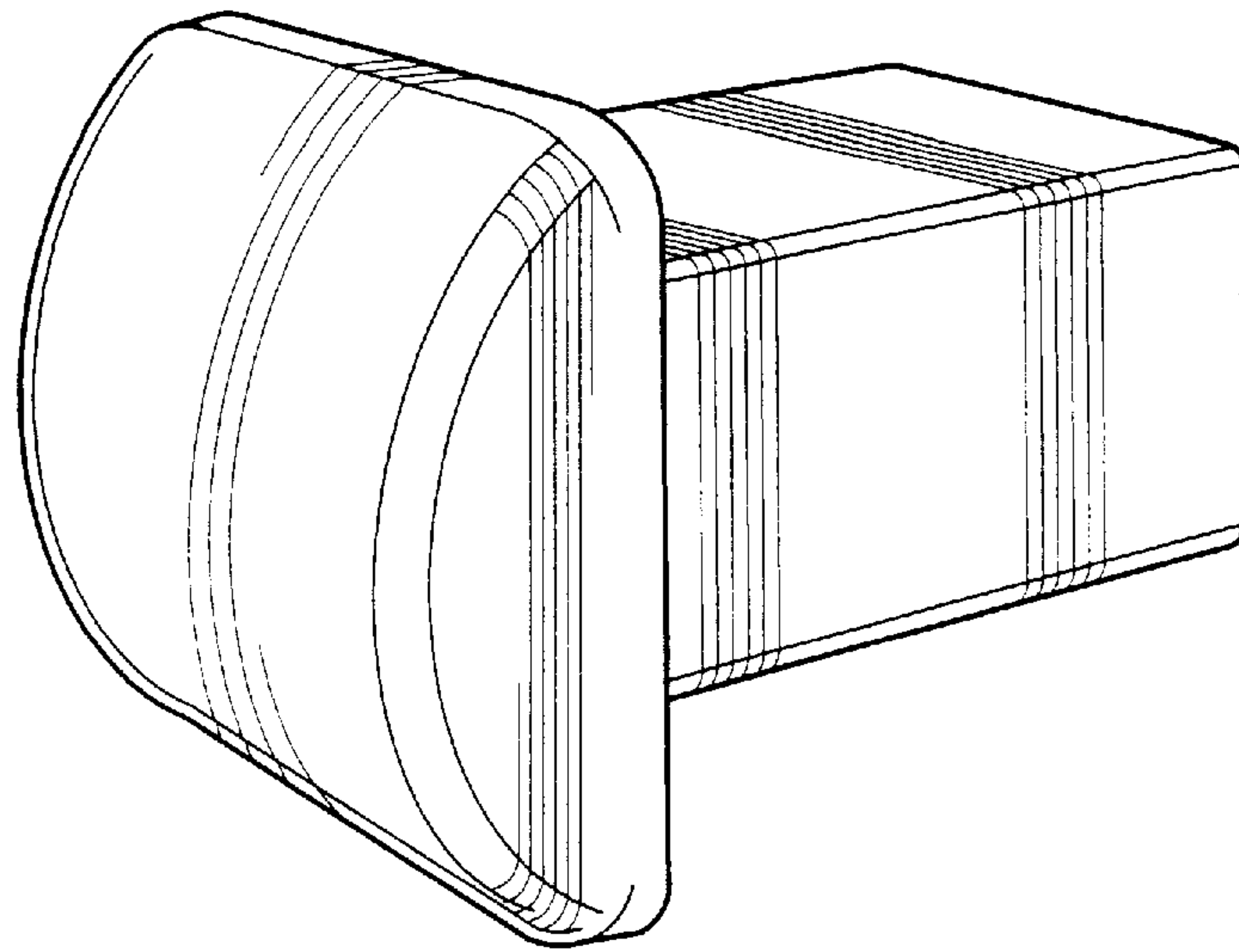
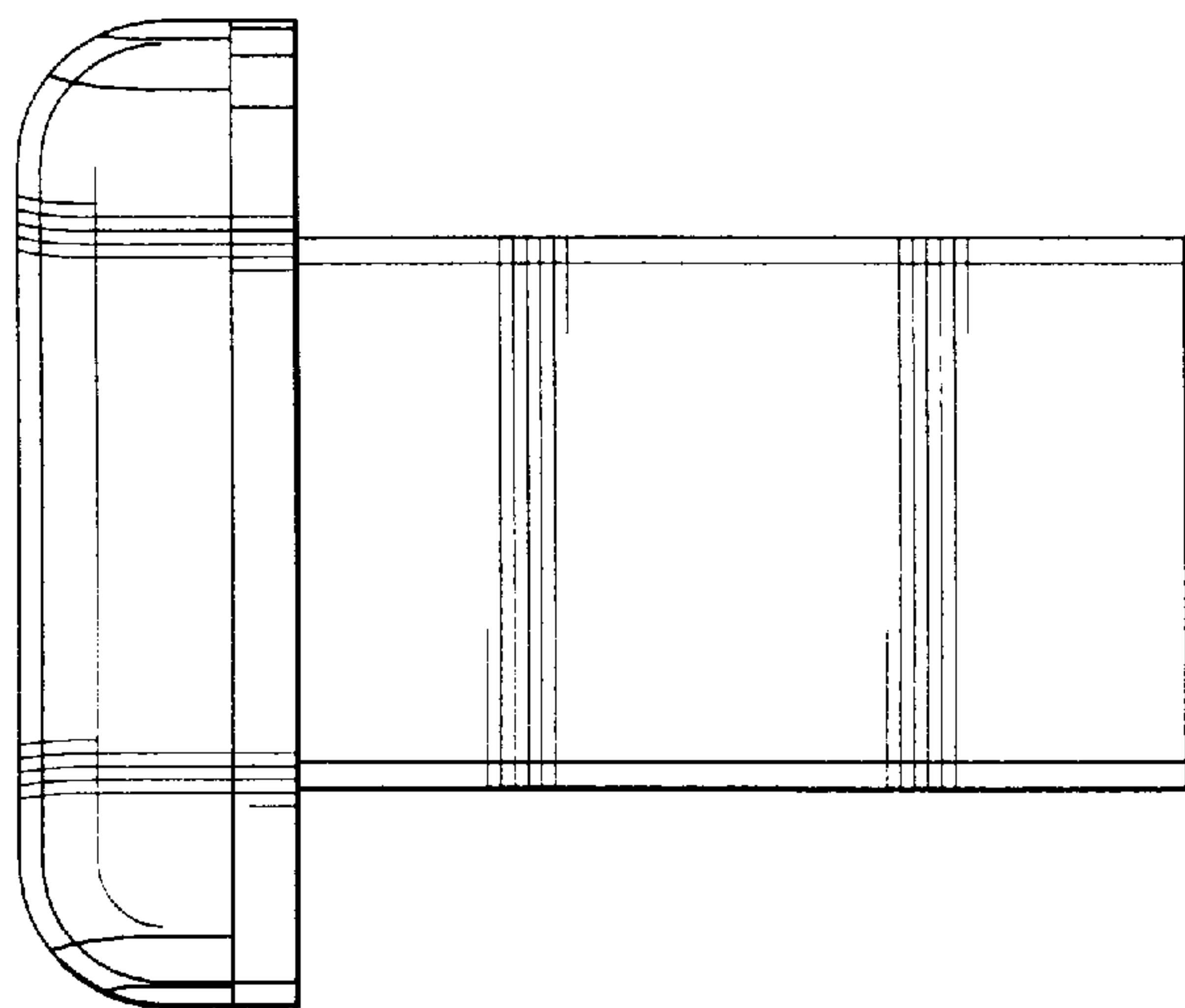


Fig-7

Fig-8



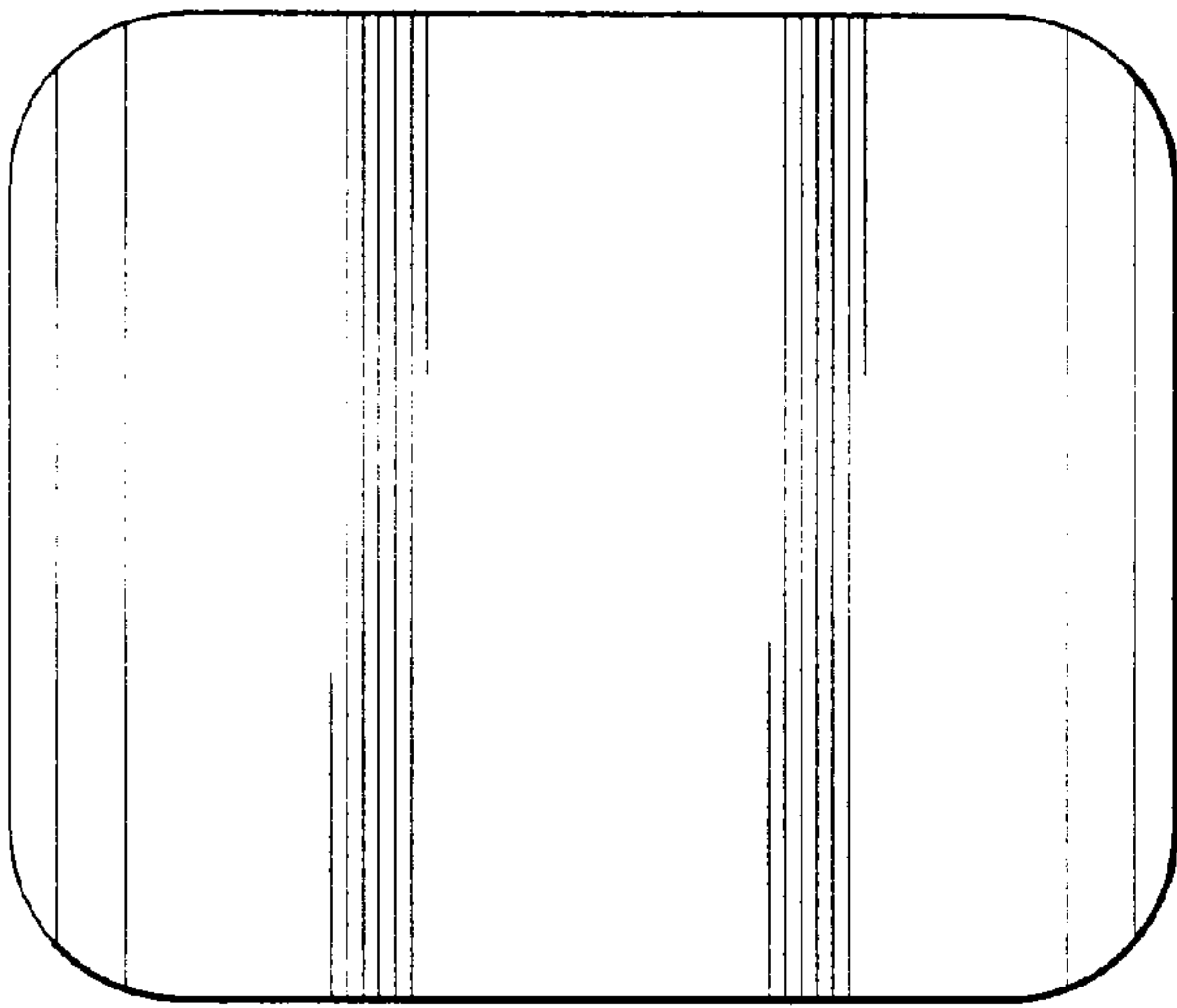


Fig-9

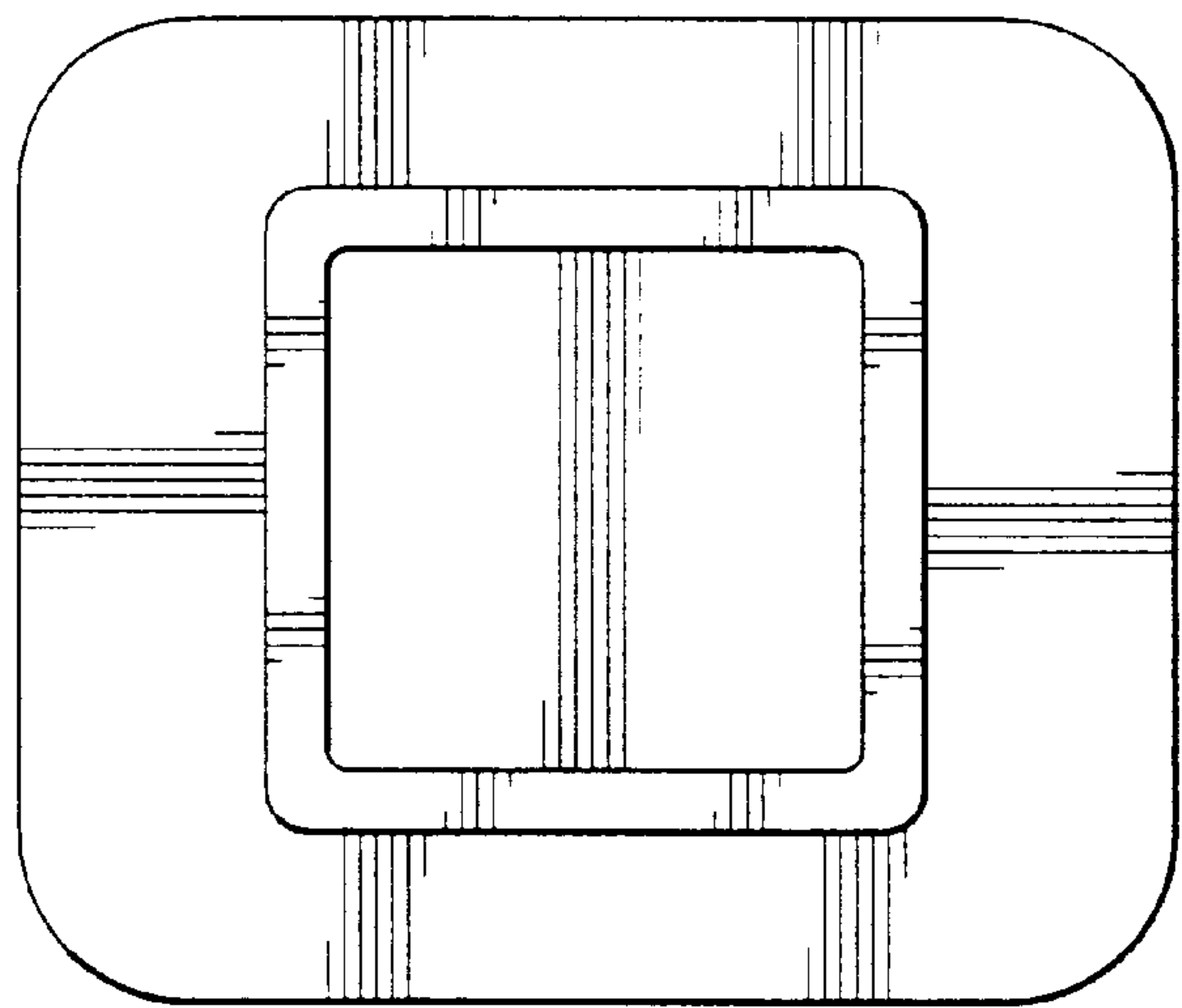


Fig-10