



US00D415448S

United States Patent [19]
Deutschman

[11] **Patent Number: Des. 415,448**

[45] **Date of Patent: ** Oct. 19, 1999**

[54] **ALL TERRAIN VEHICLE ACCESSORIES**
[75] Inventor: **Paul Deutschman**, Quebec, Canada
[73] Assignee: **Bombardier Inc.**, Quebec, Canada
[**] Term: **14 Years**
[21] Appl. No.: **29/097,437**
[22] Filed: **Dec. 7, 1998**

D. 299,324 1/1989 Oba et al. D12/107
D. 305,999 2/1990 Ueda et al. D12/107
D. 327,457 6/1992 Saito D12/107
D. 330,694 11/1992 Kimura et al. D12/107
D. 405,029 2/1999 Deutschman D12/107

Primary Examiner—Melody N. Brown
Attorney, Agent, or Firm—St. Onge Steward Johnston & Reens LLC

Related U.S. Application Data

[62] Division of application No. 29/064,911, Jan. 14, 1997, Pat. No. Des. 405,029.
[51] **LOC (6) Cl.** **12-11**
[52] **U.S. Cl.** **D12/107**
[58] **Field of Search** D12/107; 180/233, 180/311, 312, 325, 225, 229, 315

[57] **CLAIM**

I claim the ornamental design for all terrain vehicle accessories, as shown and described.

DESCRIPTION

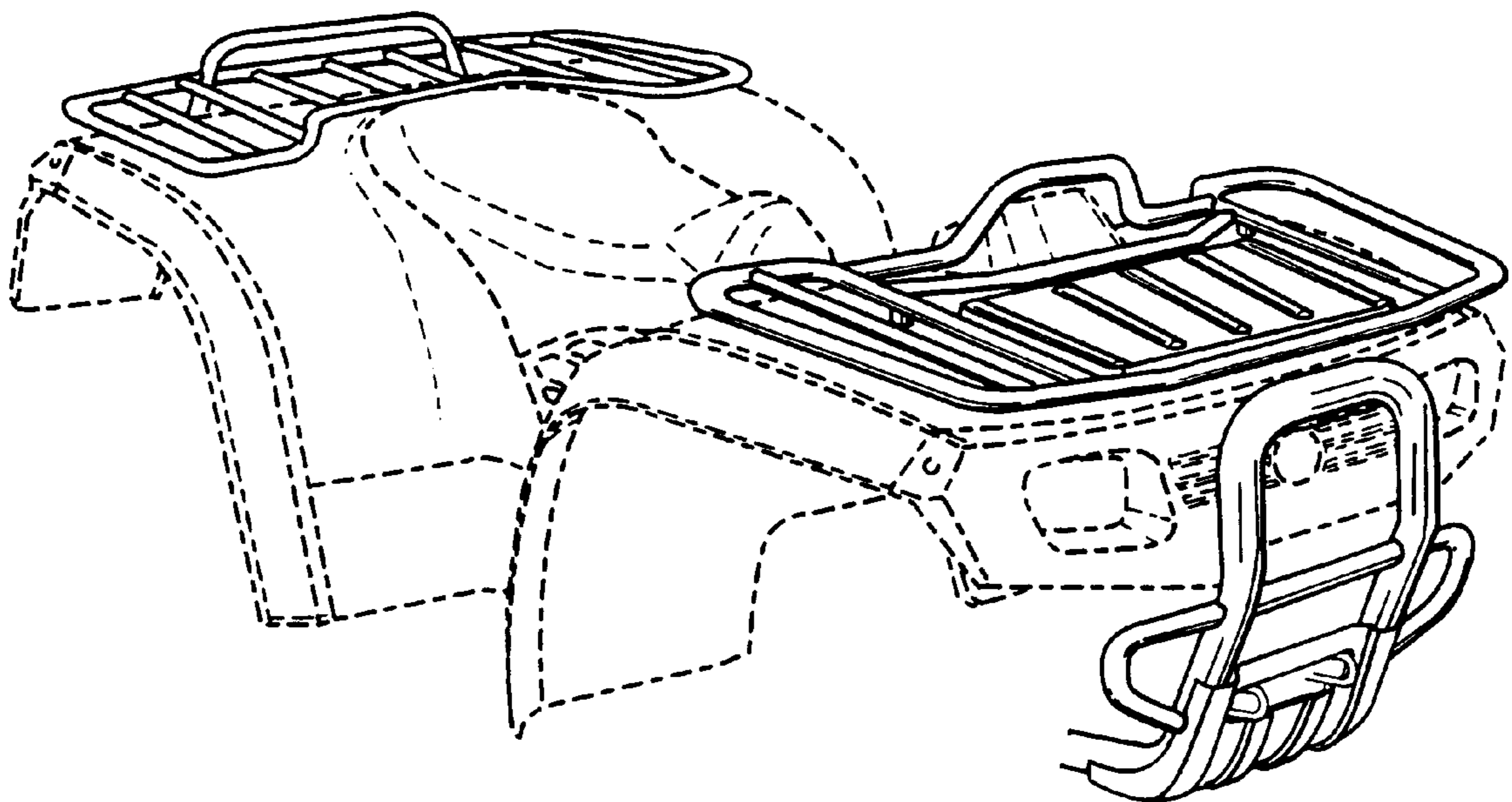
FIG. 1 is a perspective view of all terrain vehicle accessories showing my new design; the broken lines are shown for illustrative purposes only and form no part of the claimed design.
FIG. 2 is a right side elevational view, the left side elevational view being a mirror image thereof;
FIG. 3 is a top plan view thereof;
FIG. 4 is a front elevational view thereof;
FIG. 5 is a rear elevational view thereof.

[56] **References Cited**

U.S. PATENT DOCUMENTS

D. 297,132 8/1988 Ryuzoji et al. D12/107
D. 298,113 10/1988 Tamura et al. D12/107
D. 298,811 12/1988 Morita D12/107

1 Claim, 3 Drawing Sheets



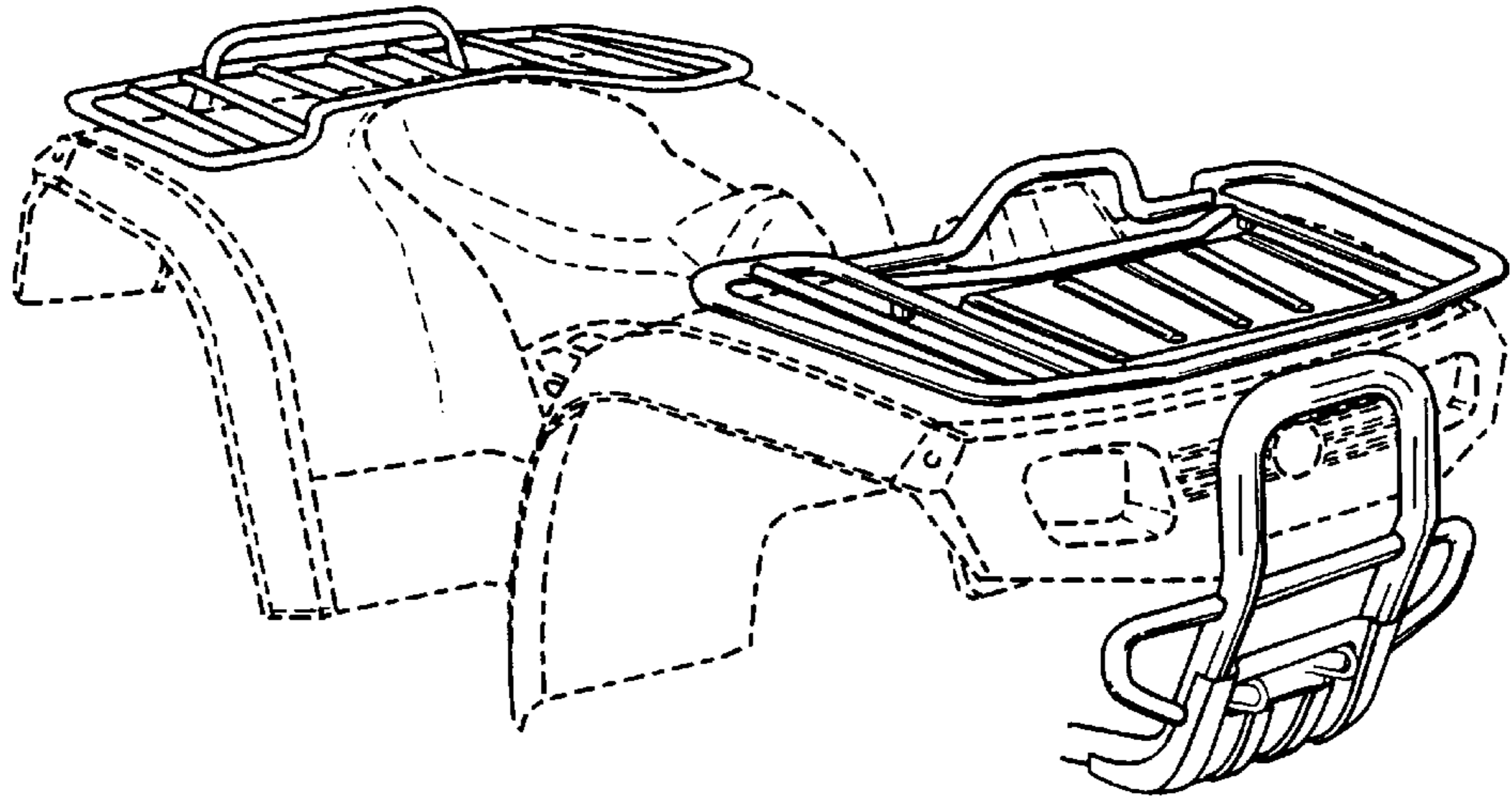


Fig. 1

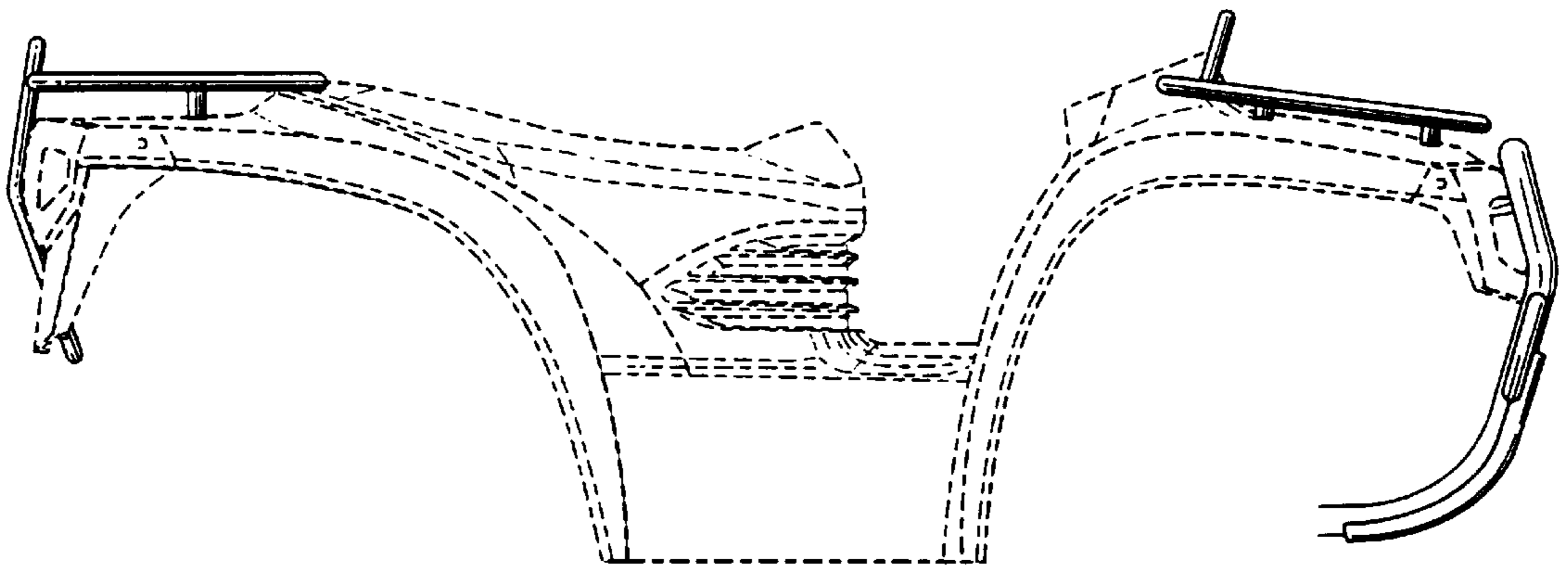


Fig. 2

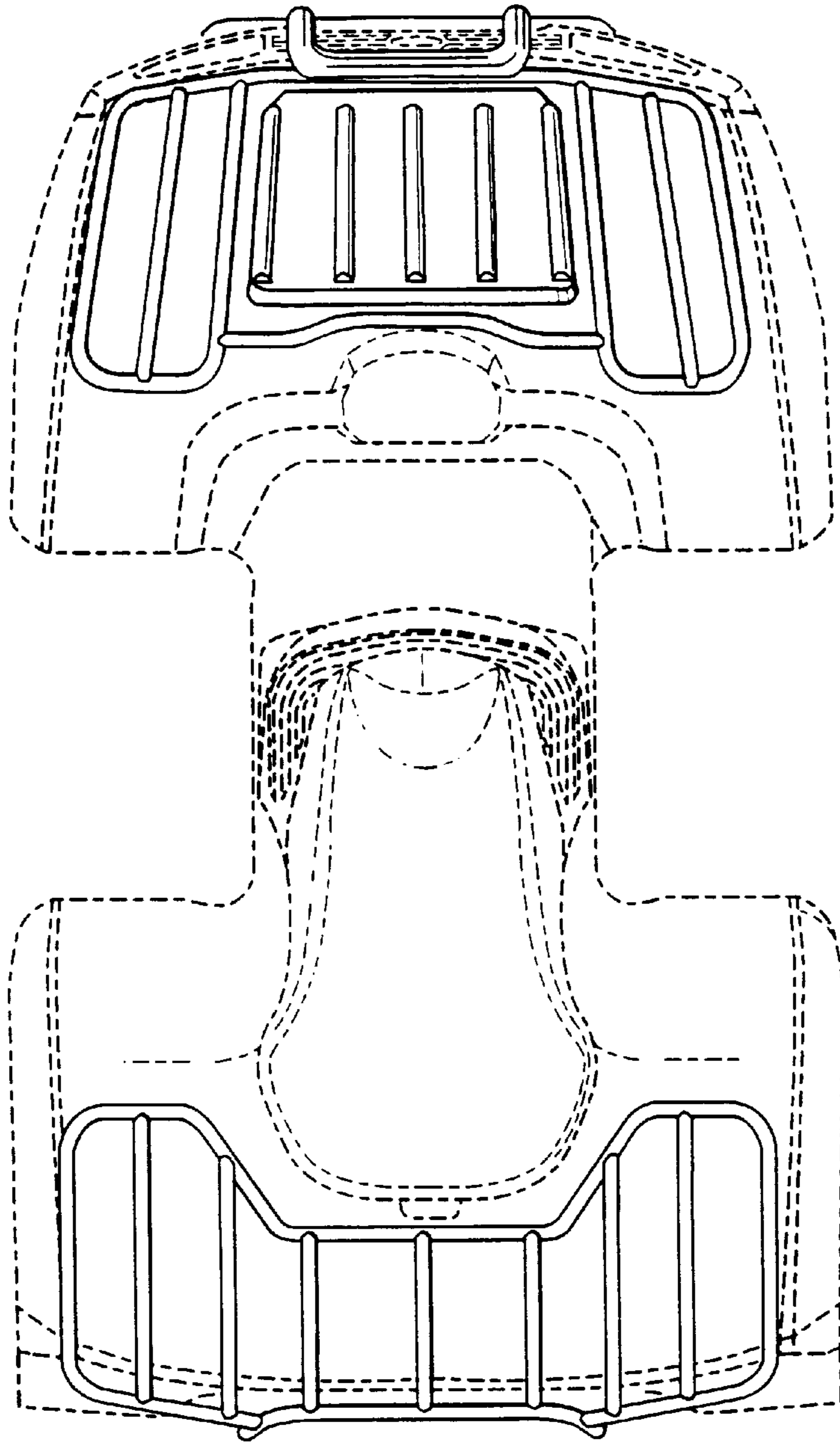


Fig. 3

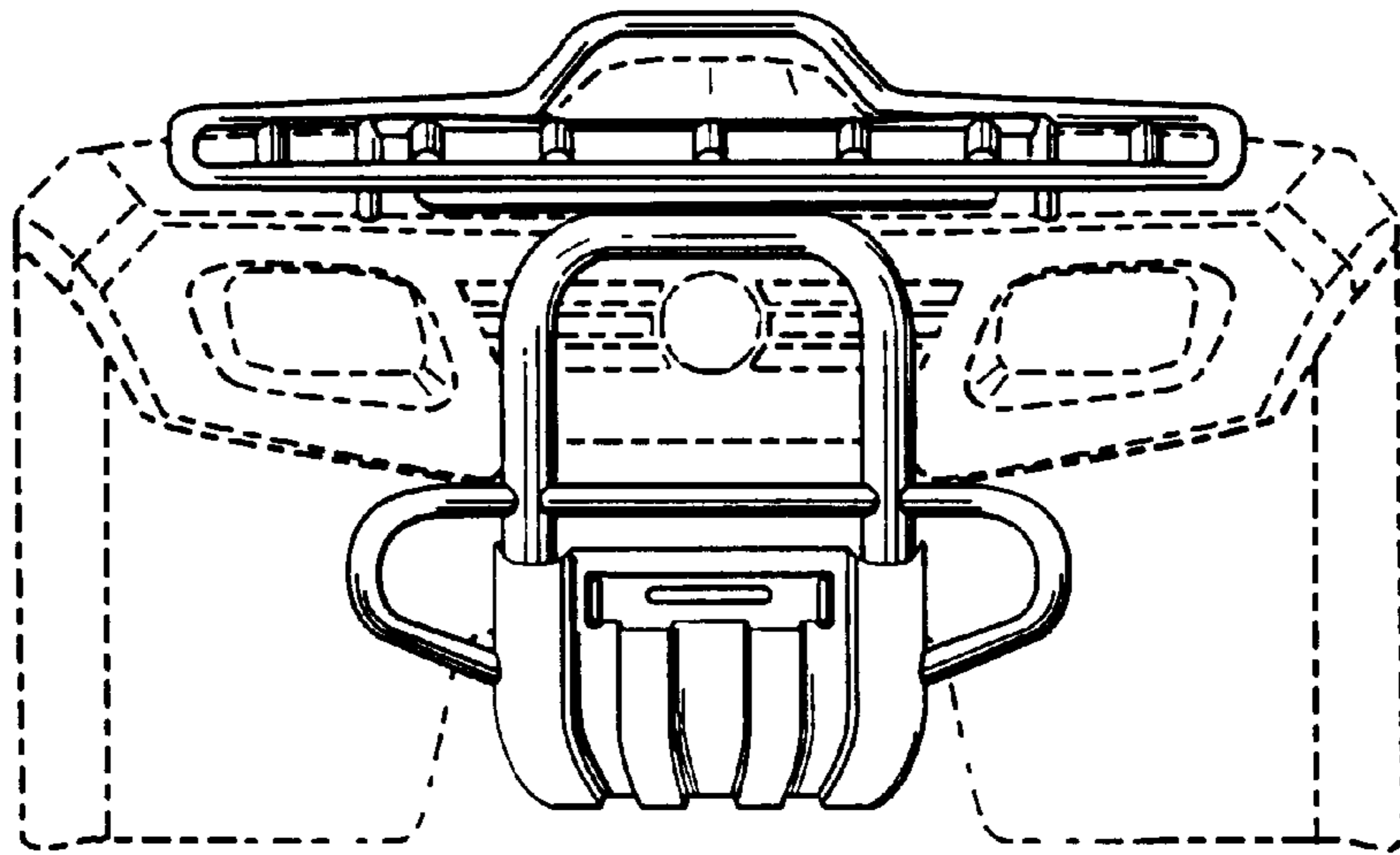


Fig. 4

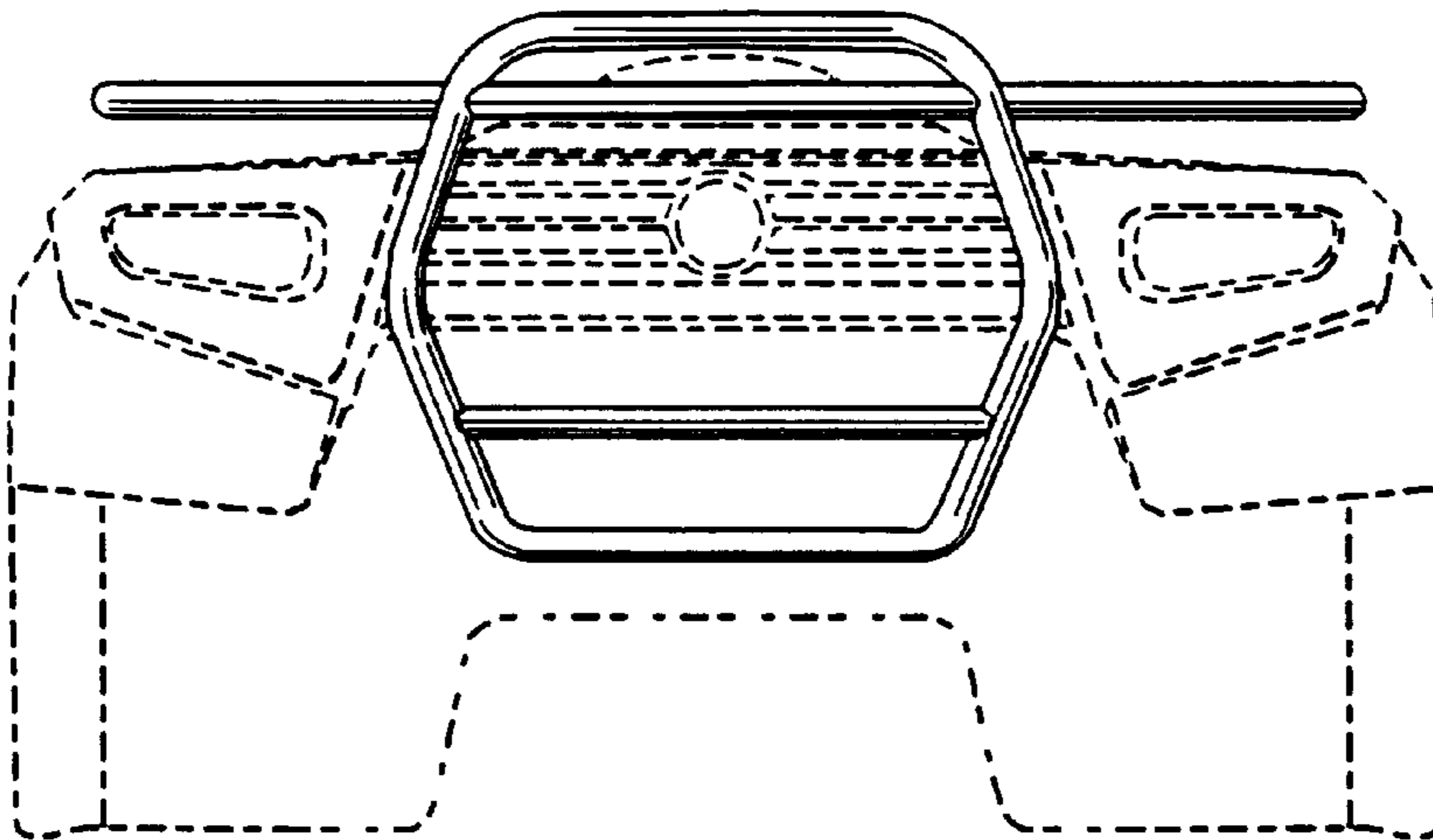


Fig. 5