



US00D415442S

# United States Patent [19]

Ikeda

[11] **Patent Number: Des. 415,442**

[45] **Date of Patent: \*\* Oct. 19, 1999**

[54] **INTRUDER DETECTION SENSOR**

[75] Inventor: **Hiroyuki Ikeda**, Otsu, Japan

[73] Assignee: **Optex Co., Ltd**, Shiga, Japan

[\*\*] Term: **14 Years**

[21] Appl. No.: **29/099,333**

[22] Filed: **Jan. 20, 1999**

[51] **LOC (6) Cl. .... 10-05**

[52] **U.S. Cl. .... D10/106**

[58] **Field of Search** ..... D10/104, 106,  
D10/116, 121; 340/541, 542, 551, 571,  
572, 573, 577, 593, 691, 692, 693

[56] **References Cited**

**U.S. PATENT DOCUMENTS**

D. 373,545 9/1996 **Armano, Sr.** ..... D10/106

D. 381,283 7/1997 **Sores** ..... D10/106

D. 383,078 9/1997 **Carmi** ..... D10/106

D. 401,178 11/1998 **Ziu** ..... D10/106

*Primary Examiner*—Marcus A. Jackson  
*Attorney, Agent, or Firm*—Price Gess & Ubell

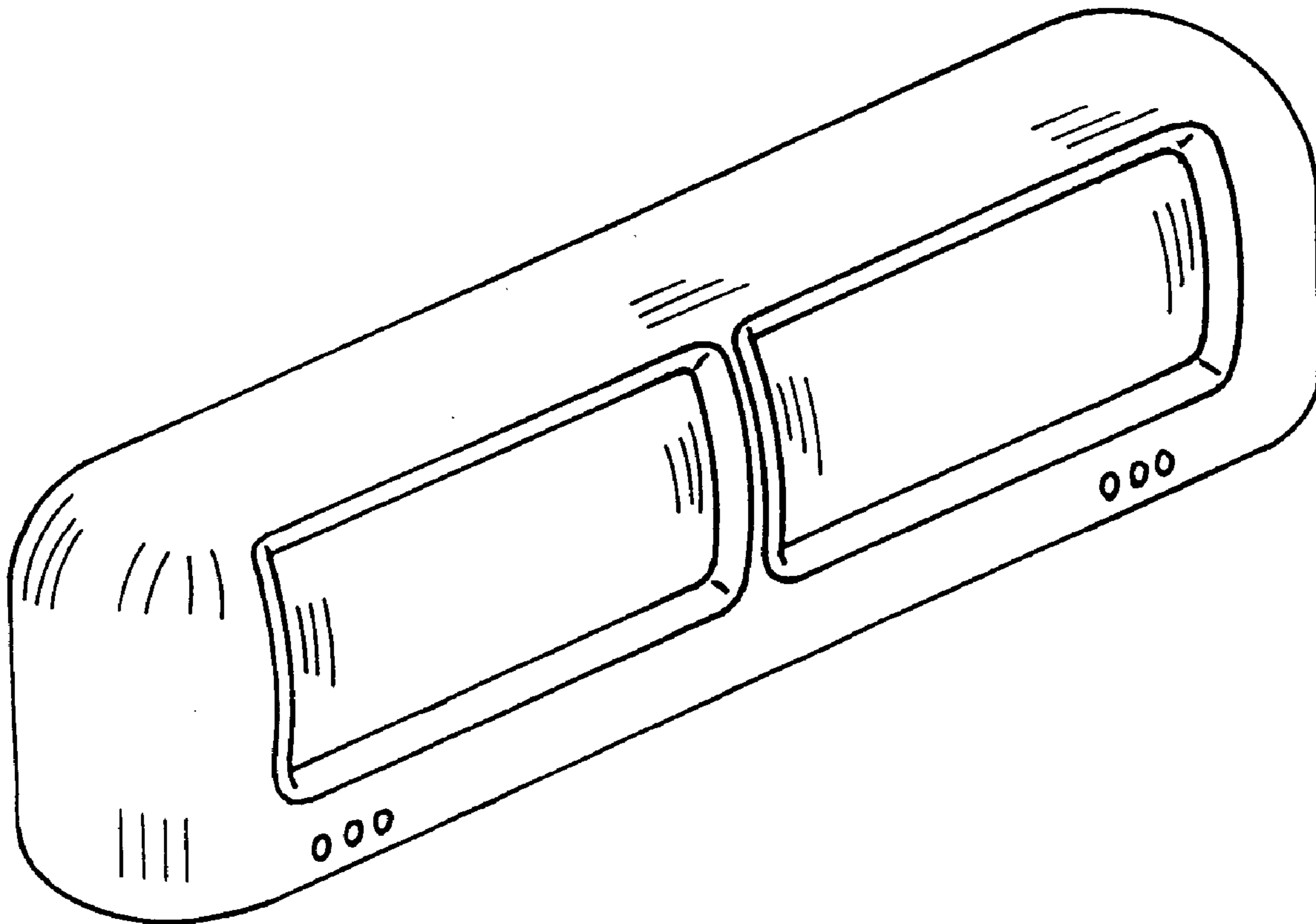
[57] **CLAIM**

The original design for an intruder detection sensor, as shown and described.

**DESCRIPTION**

FIG. 1 is a perspective view of an intruder detection sensor showing our new design;  
FIG. 2 is a top plan view thereof; (of which a bottom plan view would be a mirror image);  
FIG. 3 is a front elevational view thereof;  
FIG. 4 is a left side elevational view thereof;  
FIG. 5 is a right side elevational view thereof; and,  
FIG. 6 is a rear elevational view thereof.

**1 Claim, 2 Drawing Sheets**



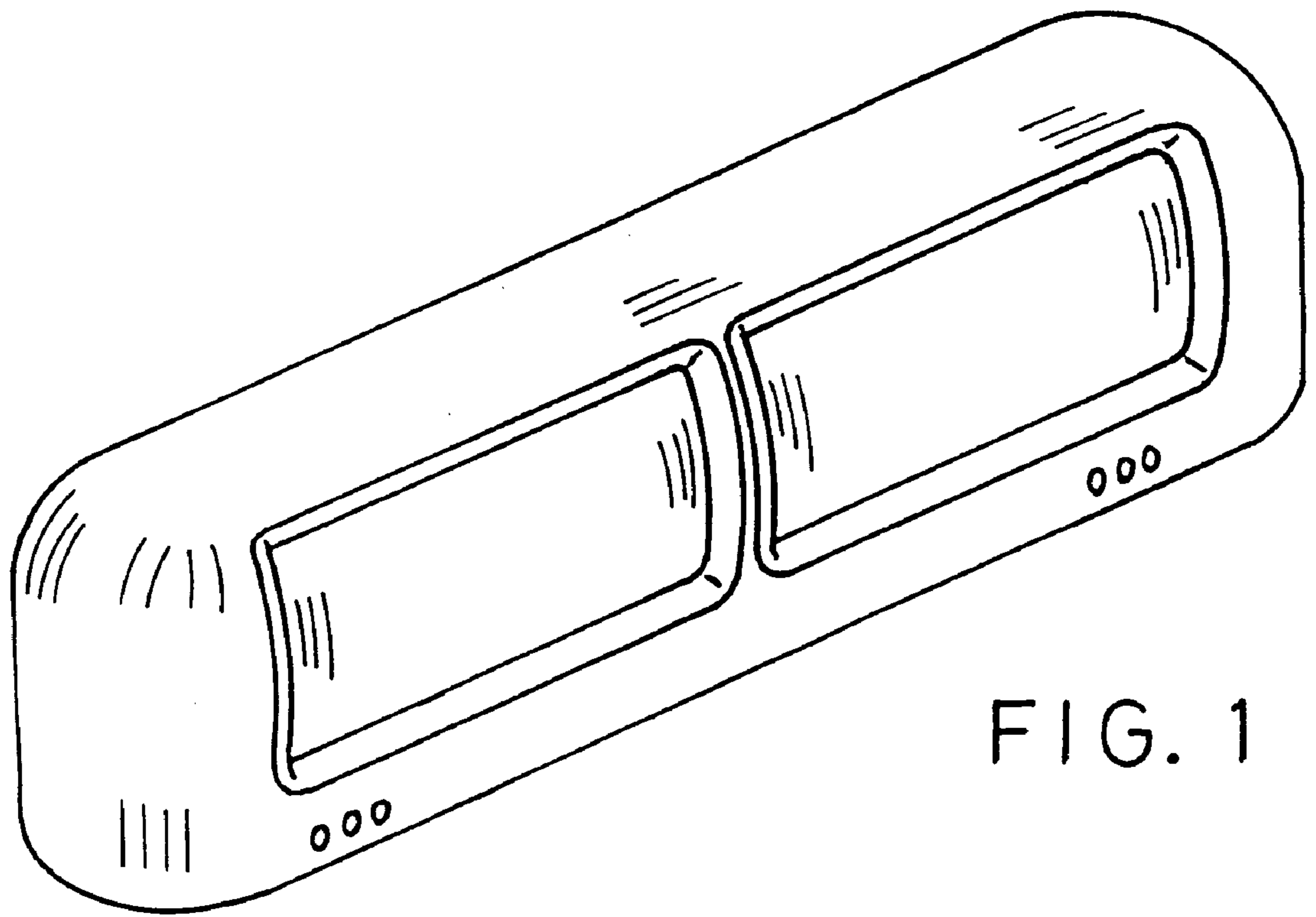


FIG. 1

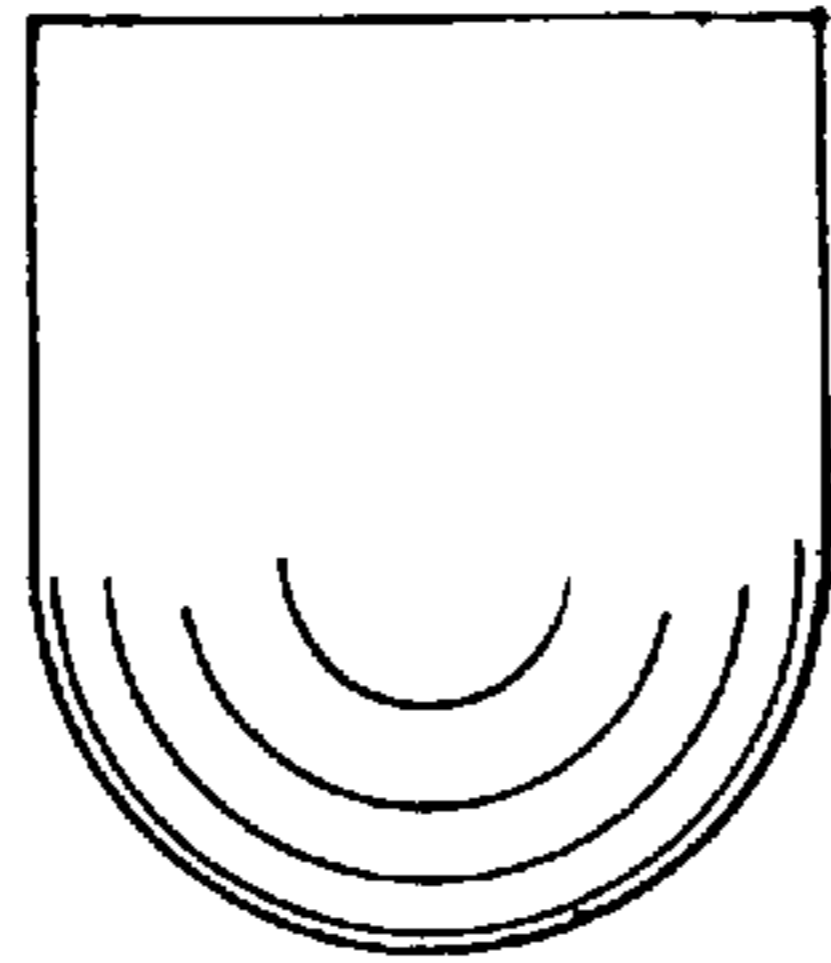


FIG. 2

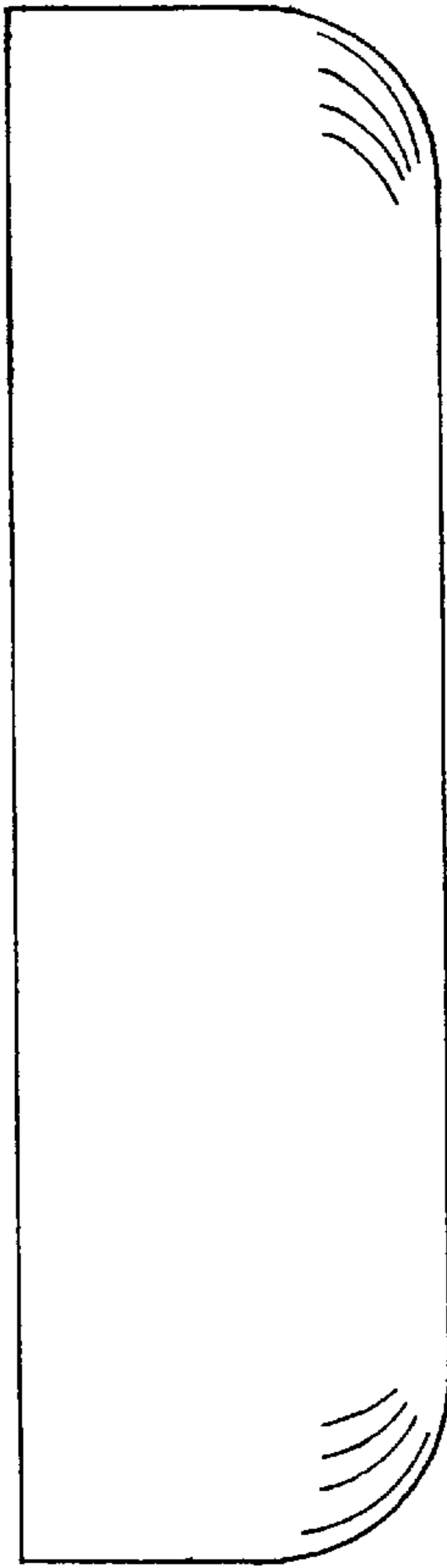


FIG. 4

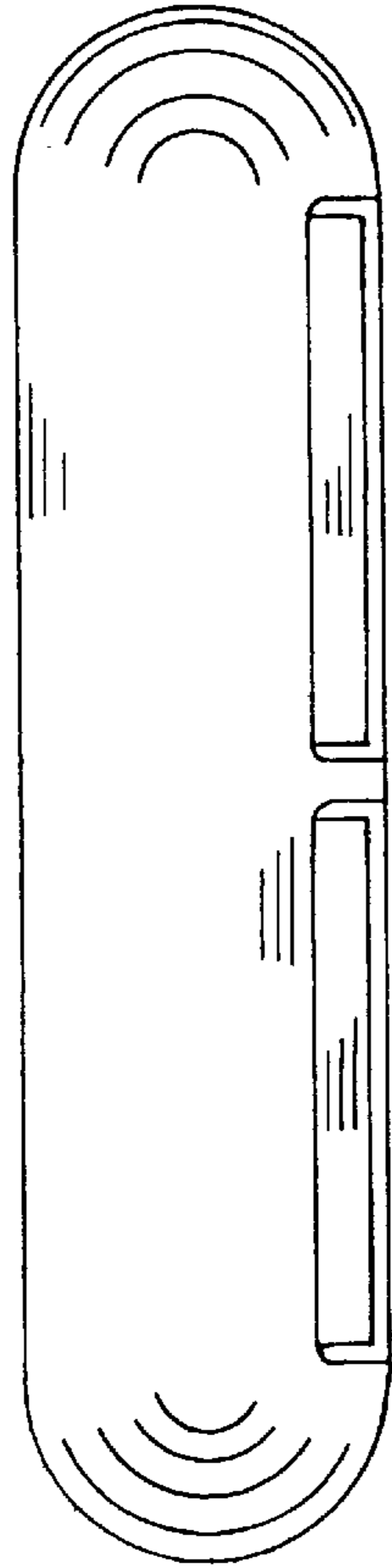


FIG. 3

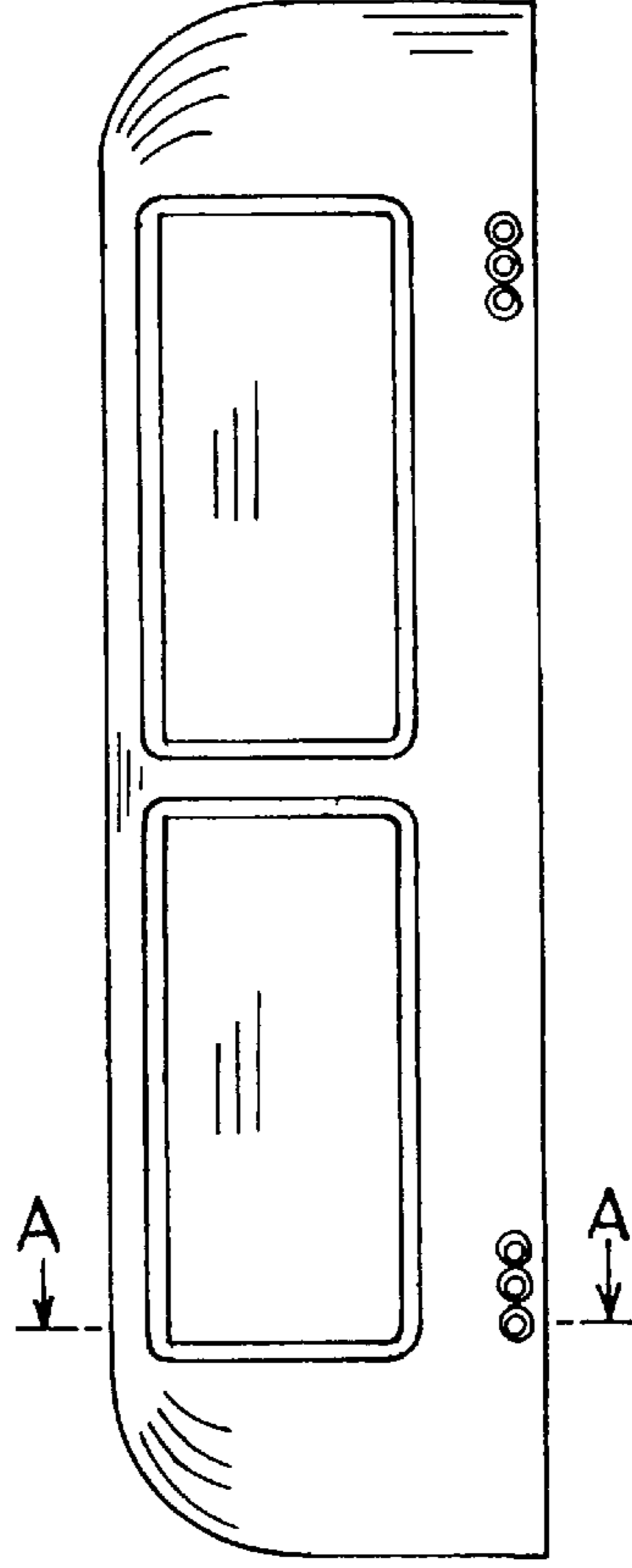


FIG. 5

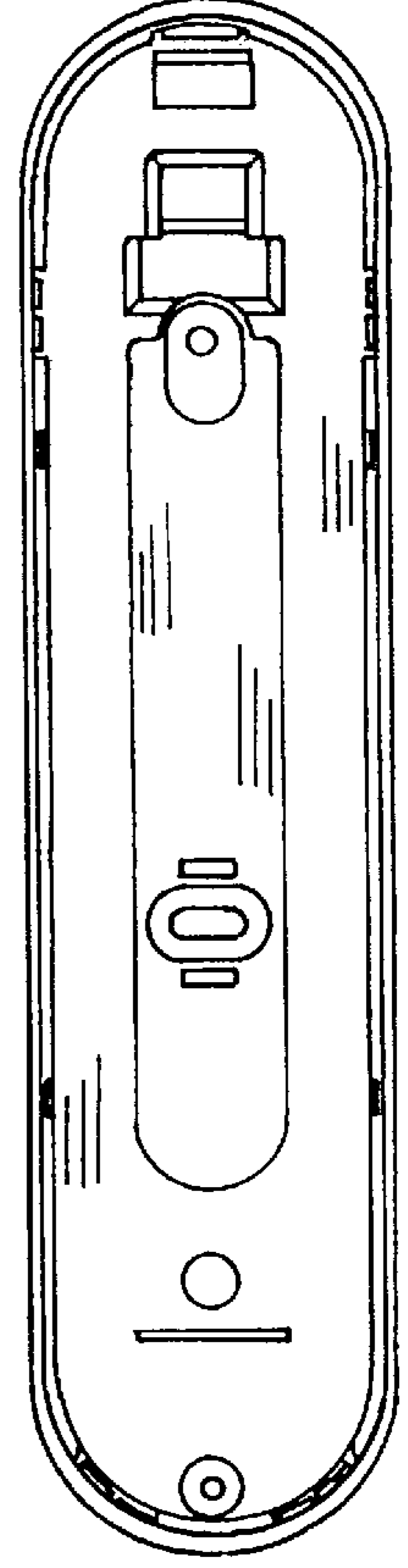


FIG. 6