



US00D415440S

United States Patent [19] Beadsworth

[11] **Patent Number: Des. 415,440**

[45] **Date of Patent: ** Oct. 19, 1999**

[54] **GAS METER**

[75] Inventor: **Christopher Beadsworth**, Oldham,
United Kingdom

[73] Assignee: **Siemens Measurements Limited**,
Oldham, United Kingdom

[**] Term: **14 Years**

[21] Appl. No.: **29/070,775**

[22] Filed: **May 15, 1997**

[30] **Foreign Application Priority Data**

Nov. 16, 1996 [GB] United Kingdom 2060878

[51] **LOC (6) Cl.** **10-04**

[52] **U.S. Cl.** **D10/99**

[58] **Field of Search** D10/96, 99; 324/116,
324/119, 136, 142, 157; 364/483; 377/20

[56] **References Cited**

U.S. PATENT DOCUMENTS

D. 397,053 8/1998 Lloyd D10/99

Primary Examiner—Antoine Duval Davis
Attorney, Agent, or Firm—Evenson, McKeown, Edwards &
Lenahan, PLLC

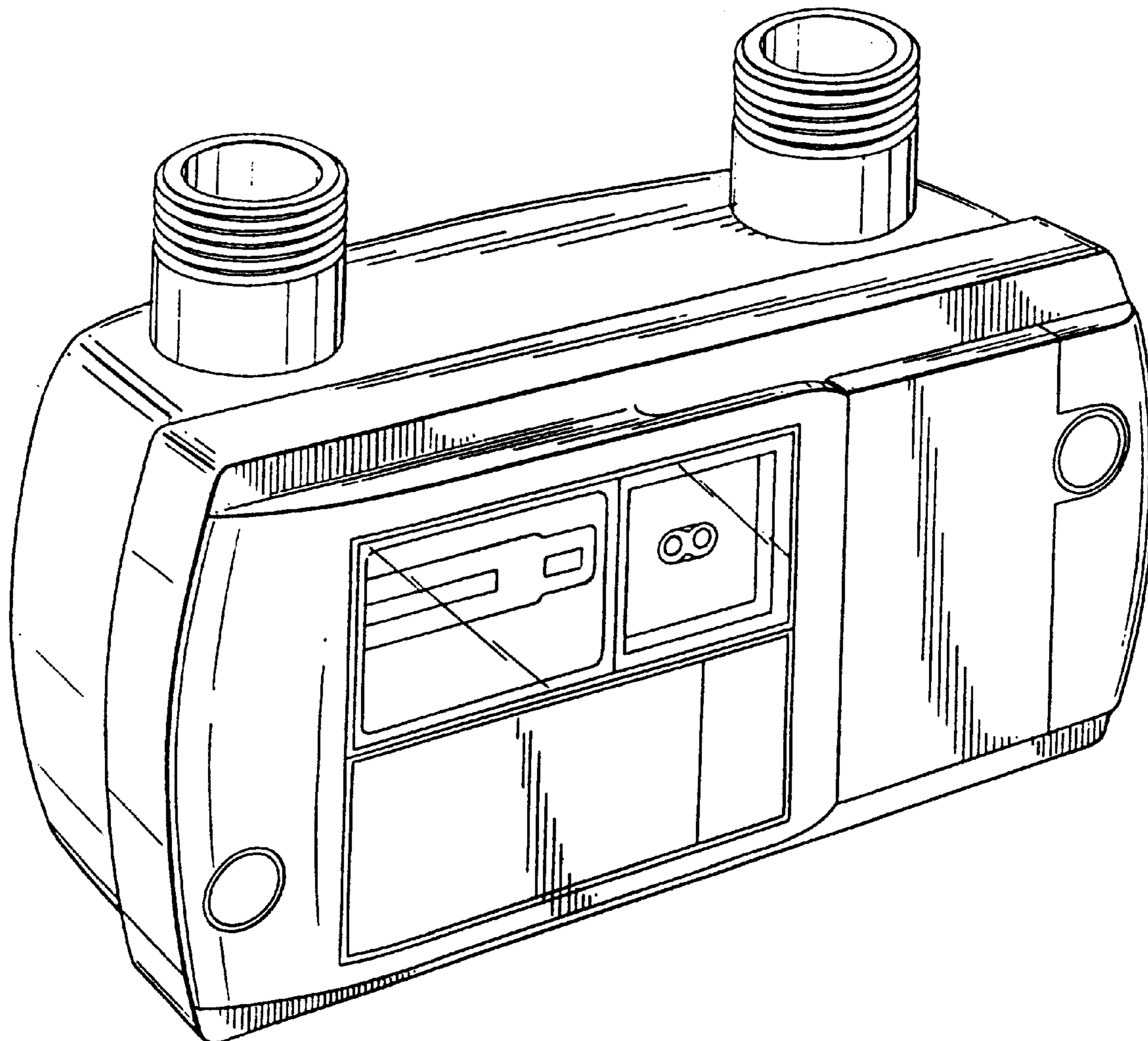
[57] **CLAIM**

The ornamental design for a gas meter, as shown and described.

DESCRIPTION

FIG. 1 is a perspective view of a gas meter according to my invention, showing the front, top and left sides thereof; FIG. 2 is a bottom plan view thereof; FIG. 3 is a front elevational view thereof; FIG. 4 is a top plan view thereof; FIG. 5 is a rear elevational view thereof; FIG. 6 is a right side elevational view thereof; and, FIG. 7 is a left side elevational view thereof.

1 Claim, 4 Drawing Sheets



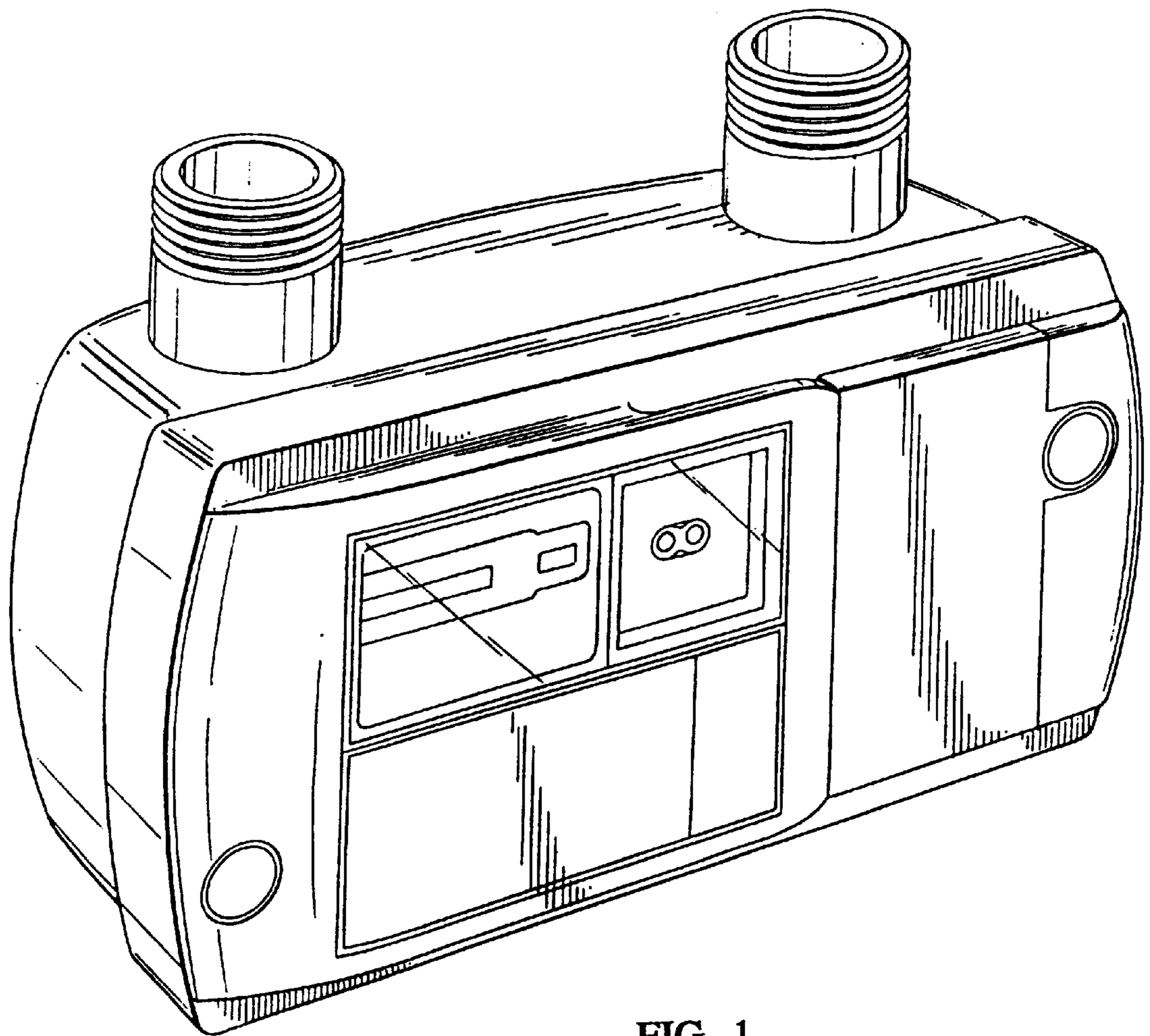


FIG. 1

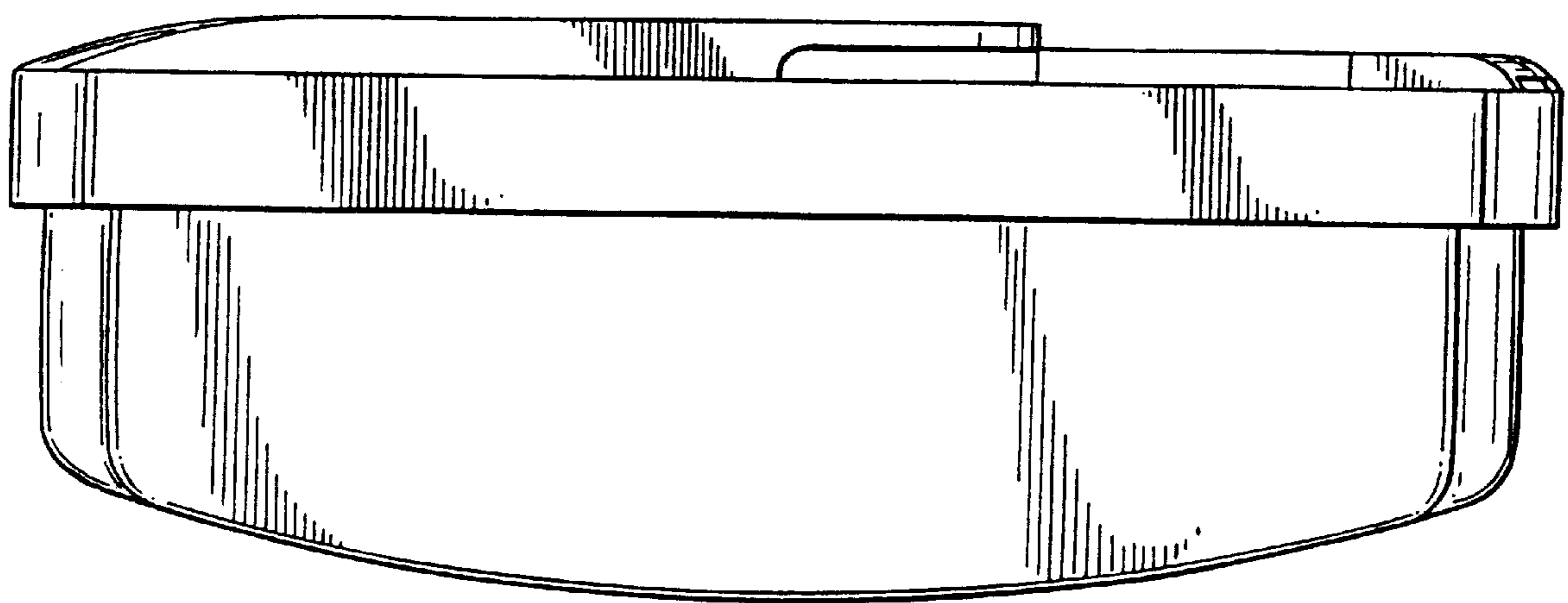


FIG. 2

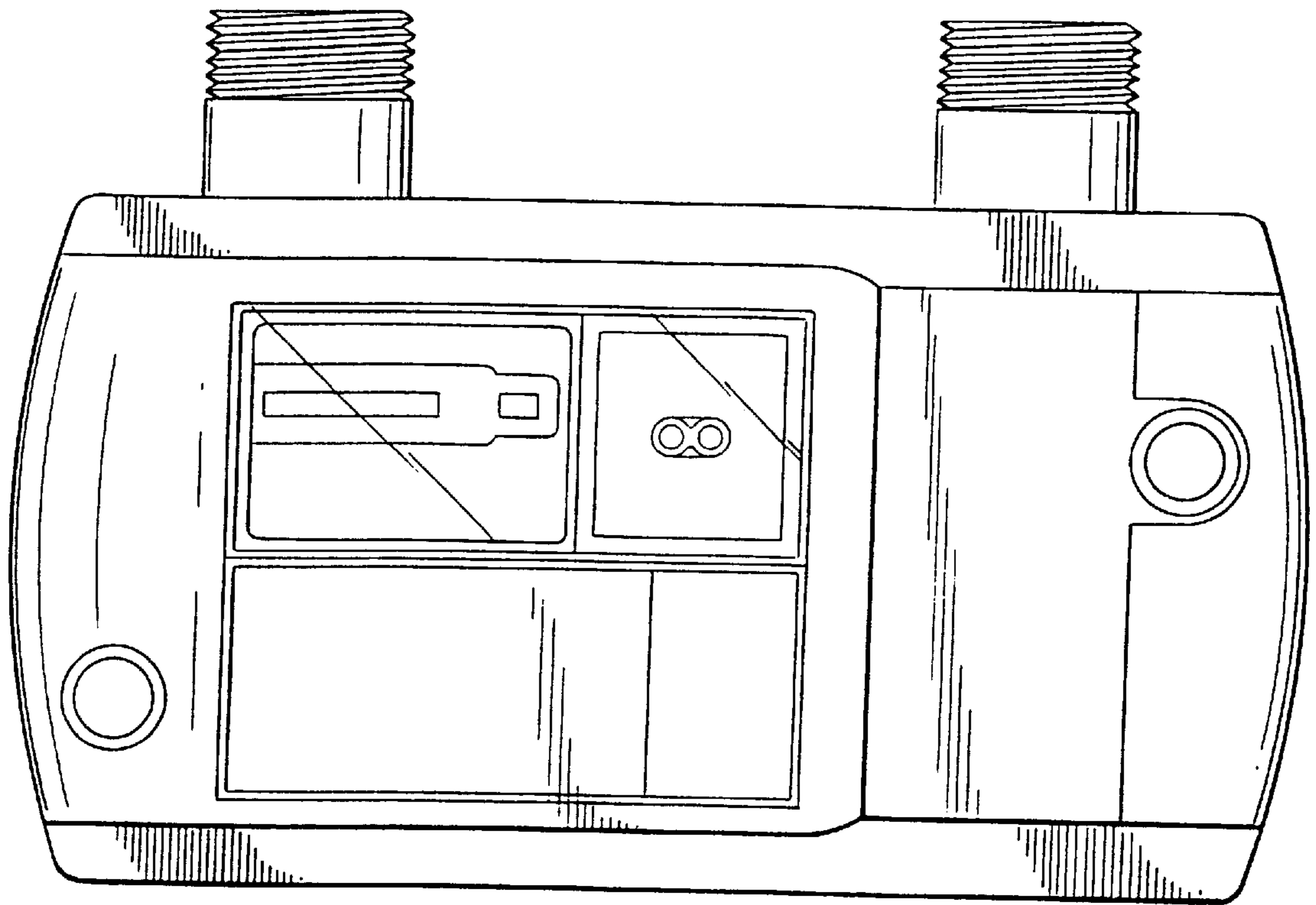


FIG. 3

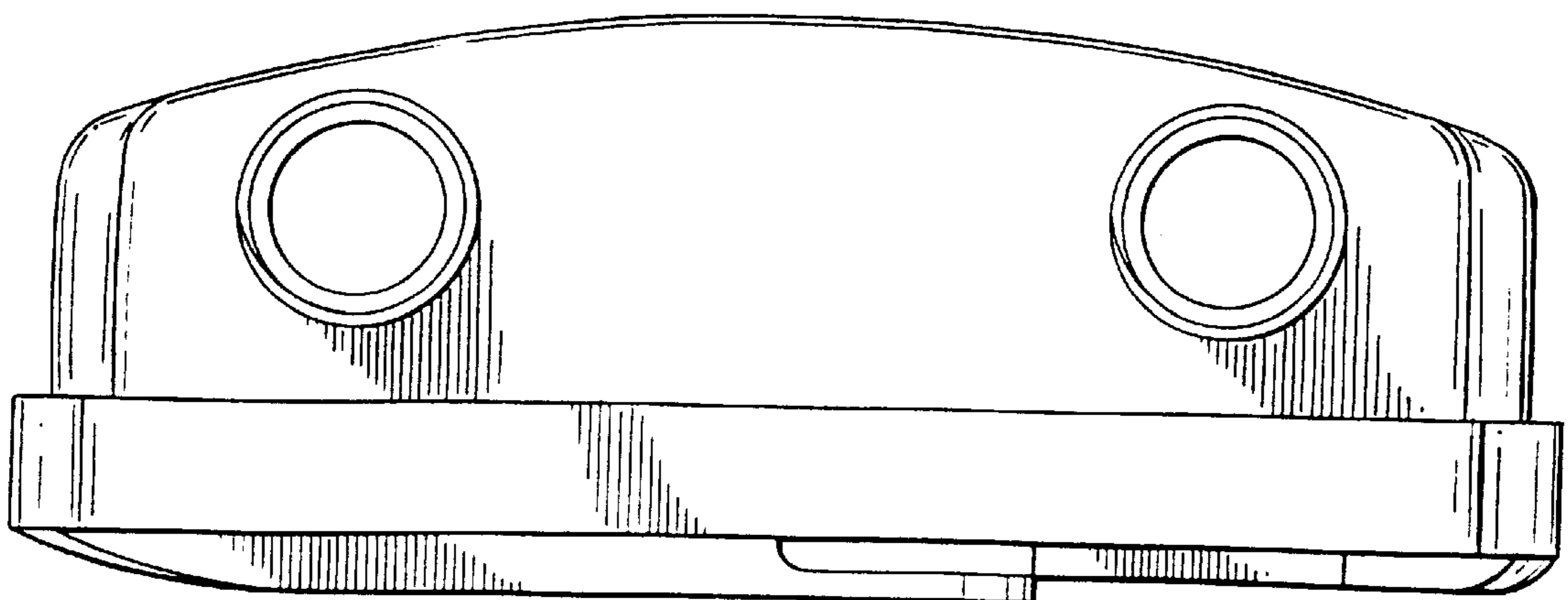


FIG. 4

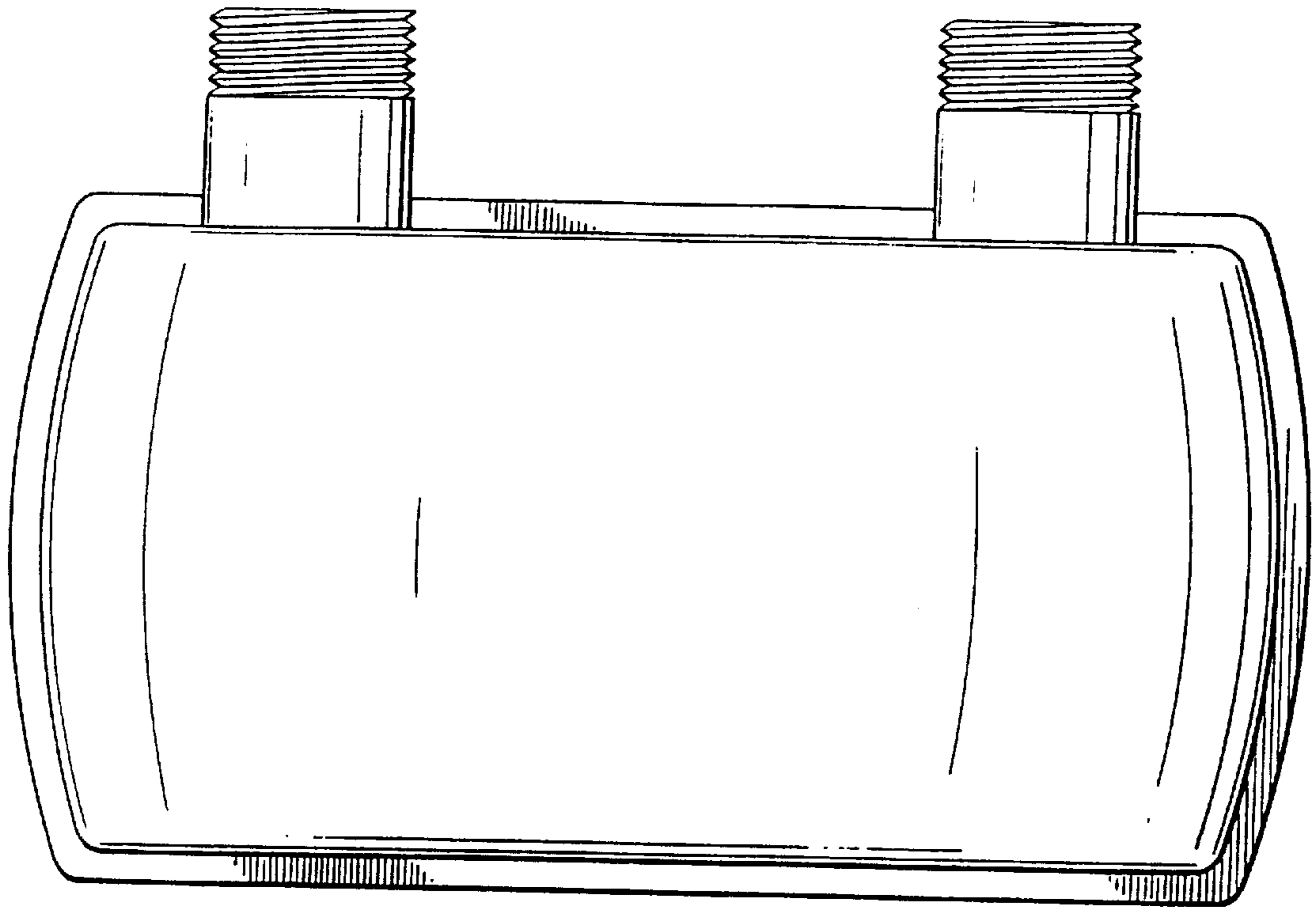


FIG. 5

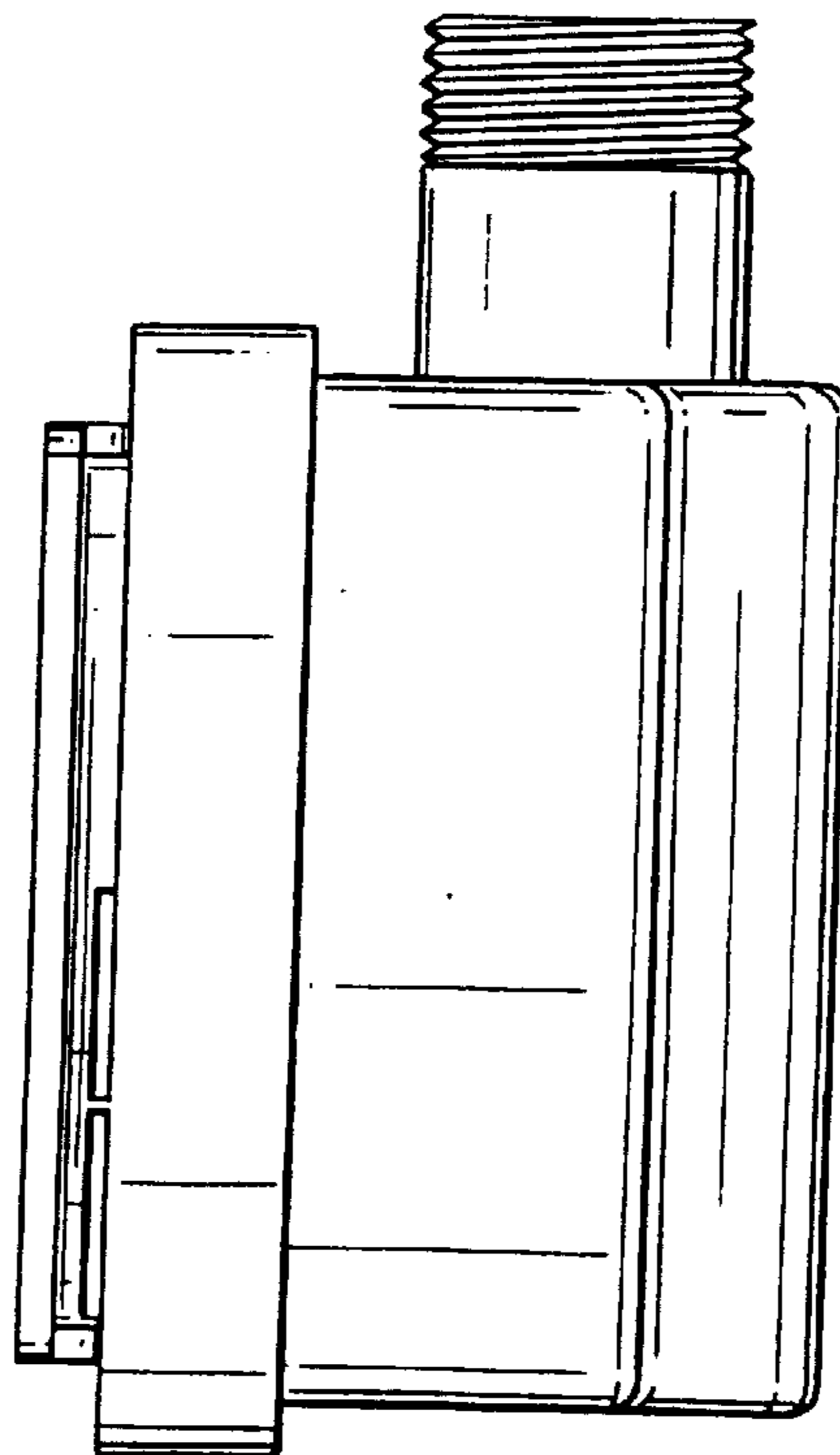


FIG. 6

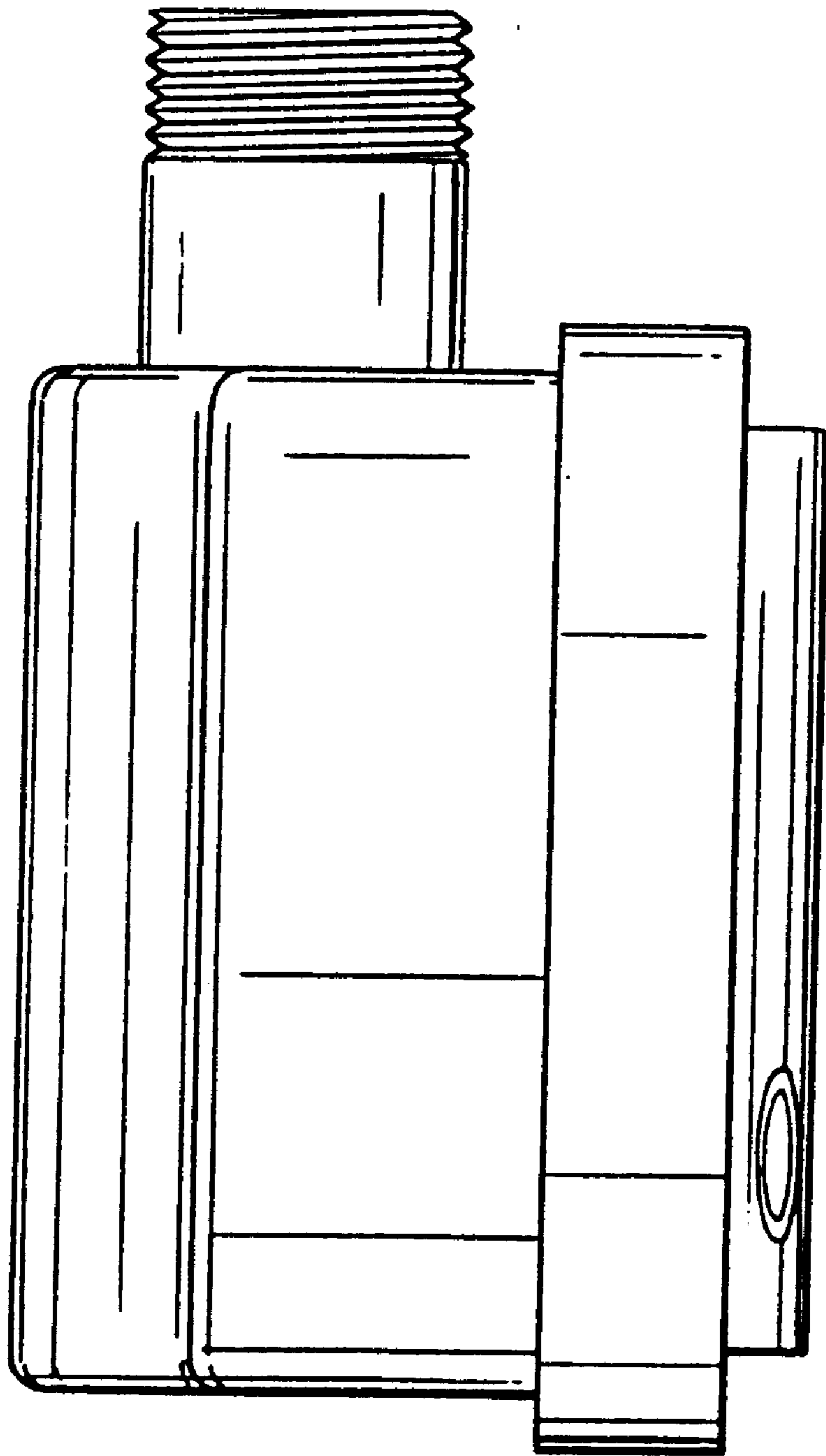


FIG. 7