



US00D415439S

# United States Patent [19]

Kramer et al.

[11] Patent Number: Des. 415,439

[45] Date of Patent: \*\* Oct. 19, 1999

[54] FOOD VISCOMETER

[75] Inventors: **Thomas E. Kramer**, Coon Rapids, Minn.; **Matthew H. Rust**, Hudson, Wis.

[73] Assignee: **Med-Diet Laboratories**, Plymouth, Minn.

[\*\*] Term: 14 Years

[21] Appl. No.: 29/095,002

[22] Filed: Oct. 14, 1998

[51] LOC (6) Cl. .... 10-04

[52] U.S. Cl. .... D10/96

[58] Field of Search ..... D10/96; 73/32 A, 73/54.05, 54.24, 54.26, 54.25

[56] **References Cited**

U.S. PATENT DOCUMENTS

4,909,068 3/1990 Miura et al. .... 73/32 A

*Primary Examiner*—Antoine Duval Davis  
*Attorney, Agent, or Firm*—Oppenheimer Wolff & DonnellyLLP

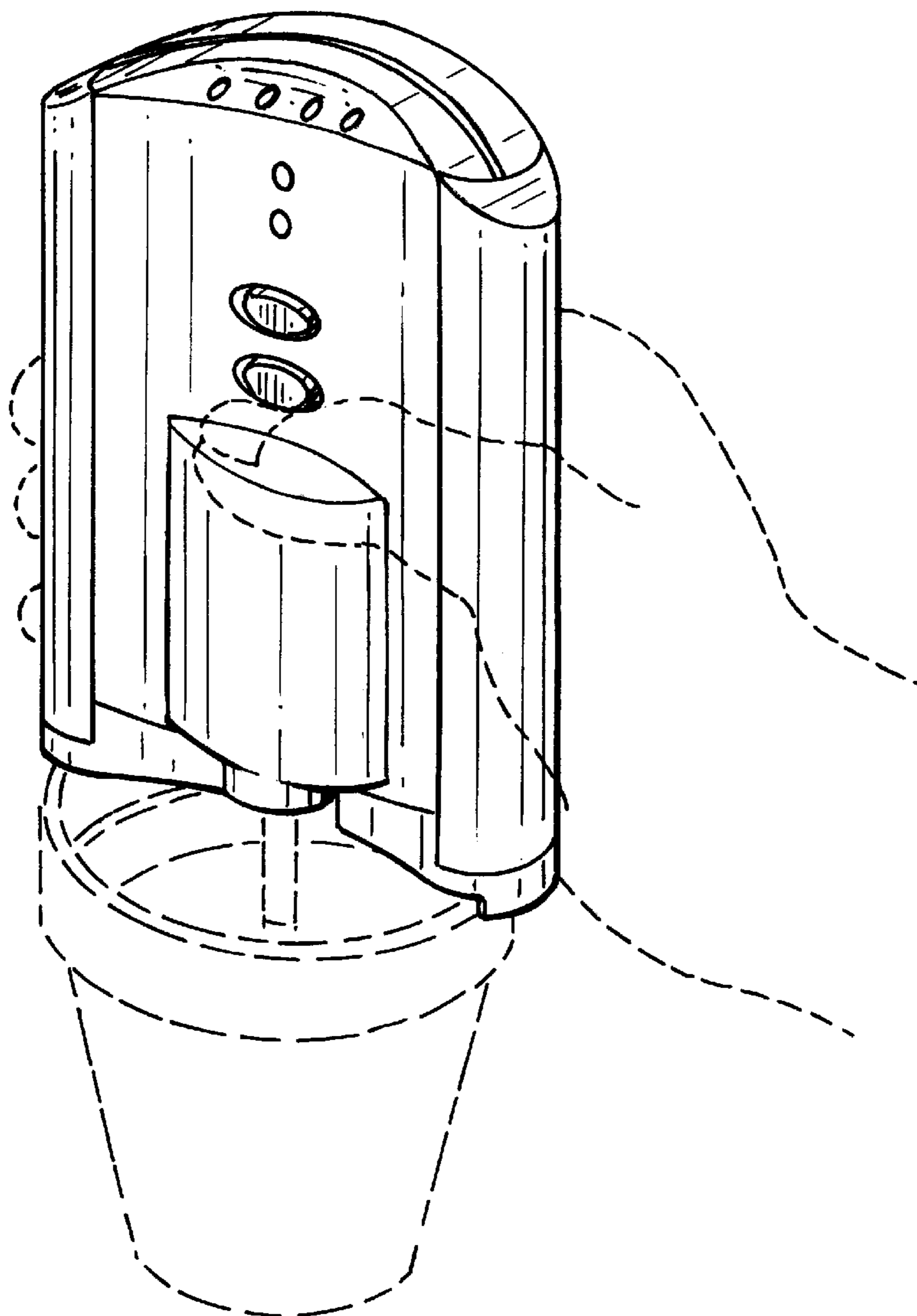
[57] **CLAIM**

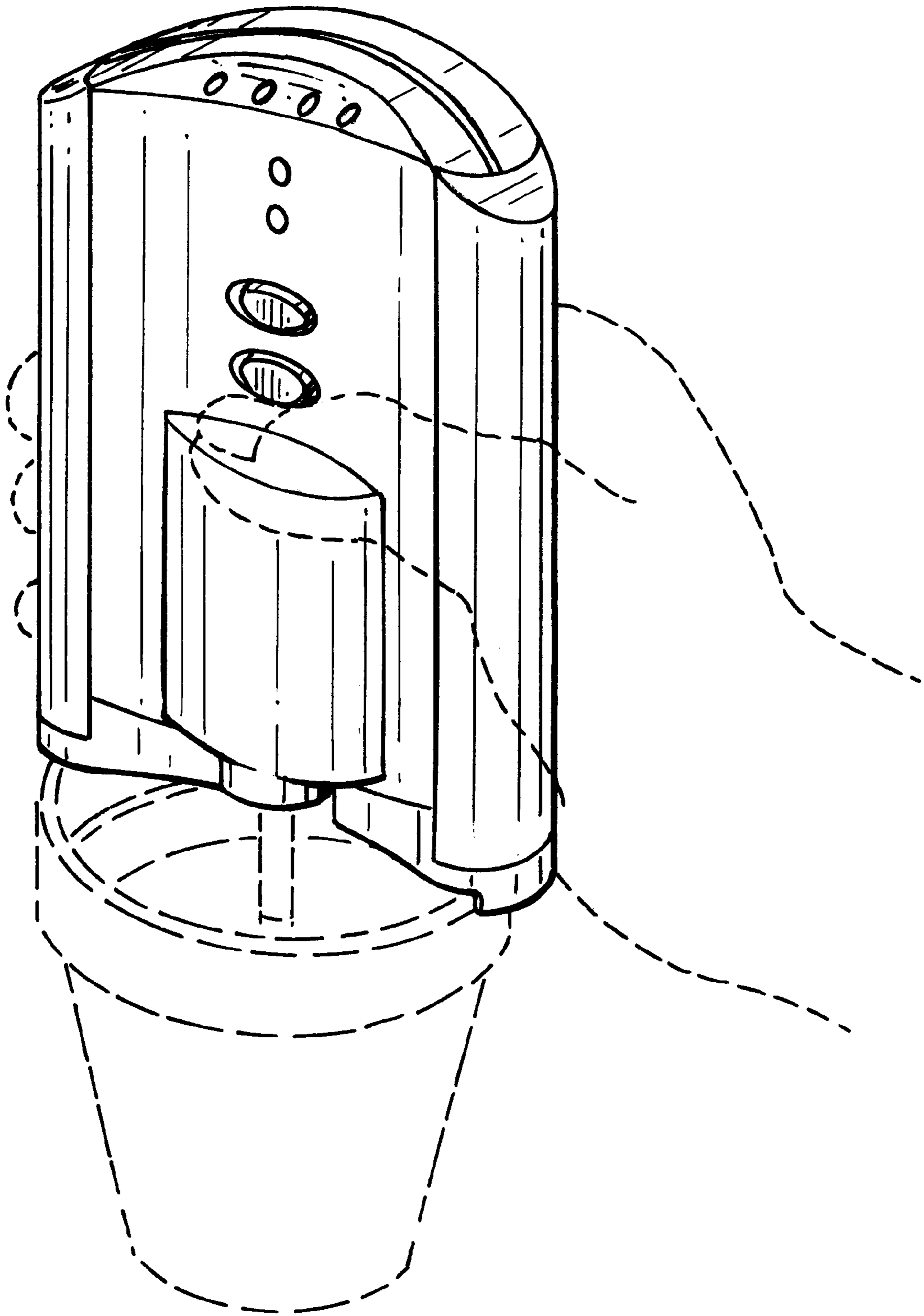
The ornamental design for a food viscometer, as shown and described.

**DESCRIPTION**

FIG. 1 is a perspective view of a food viscometer showing our new design;  
FIG. 2 is a front elevational view thereof;  
FIG. 3 is a right side view thereof;  
FIG. 4 is a rear elevational view thereof;  
FIG. 5 is a top plan view thereof; and,  
FIG. 6 is a bottom plan view thereof.  
The broken line showing is for illustrative purposes only and forms no part of the claimed design.

**1 Claim, 3 Drawing Sheets**





*FIG. 1*

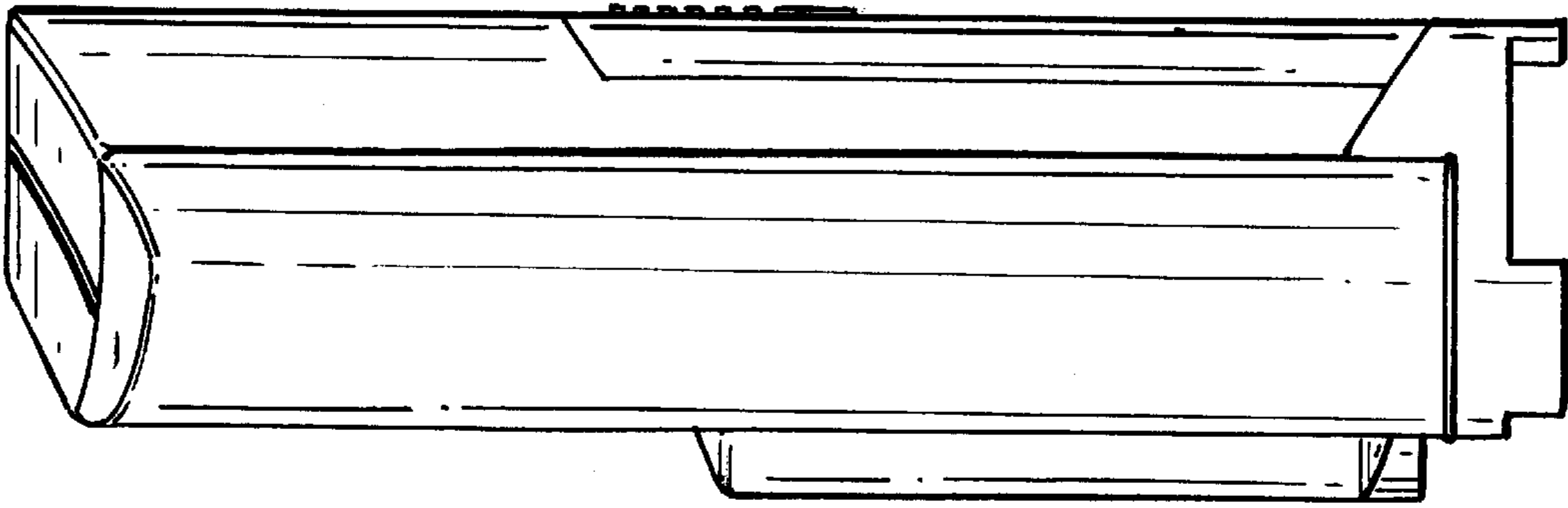


FIG. 1

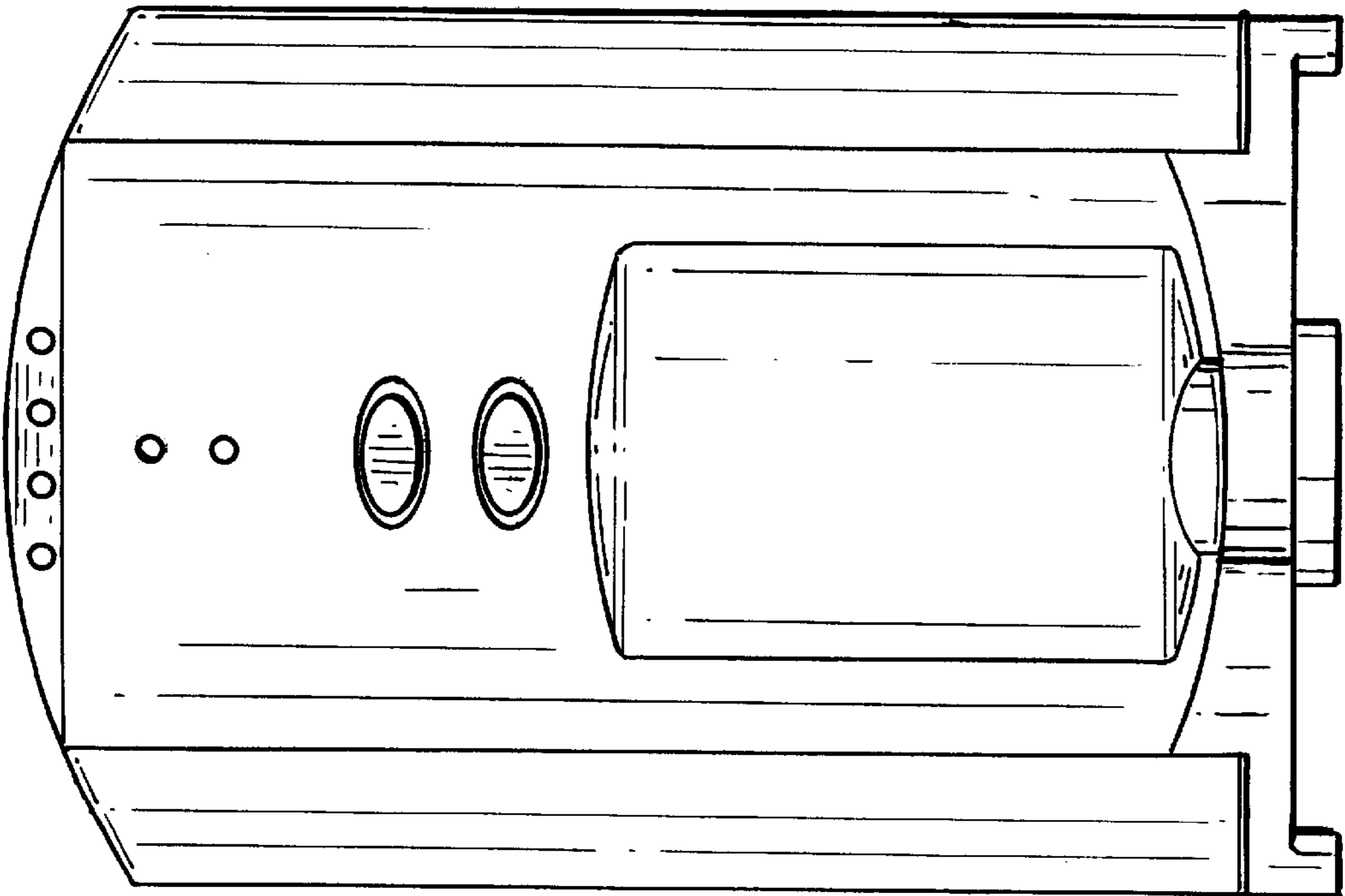


FIG. 2

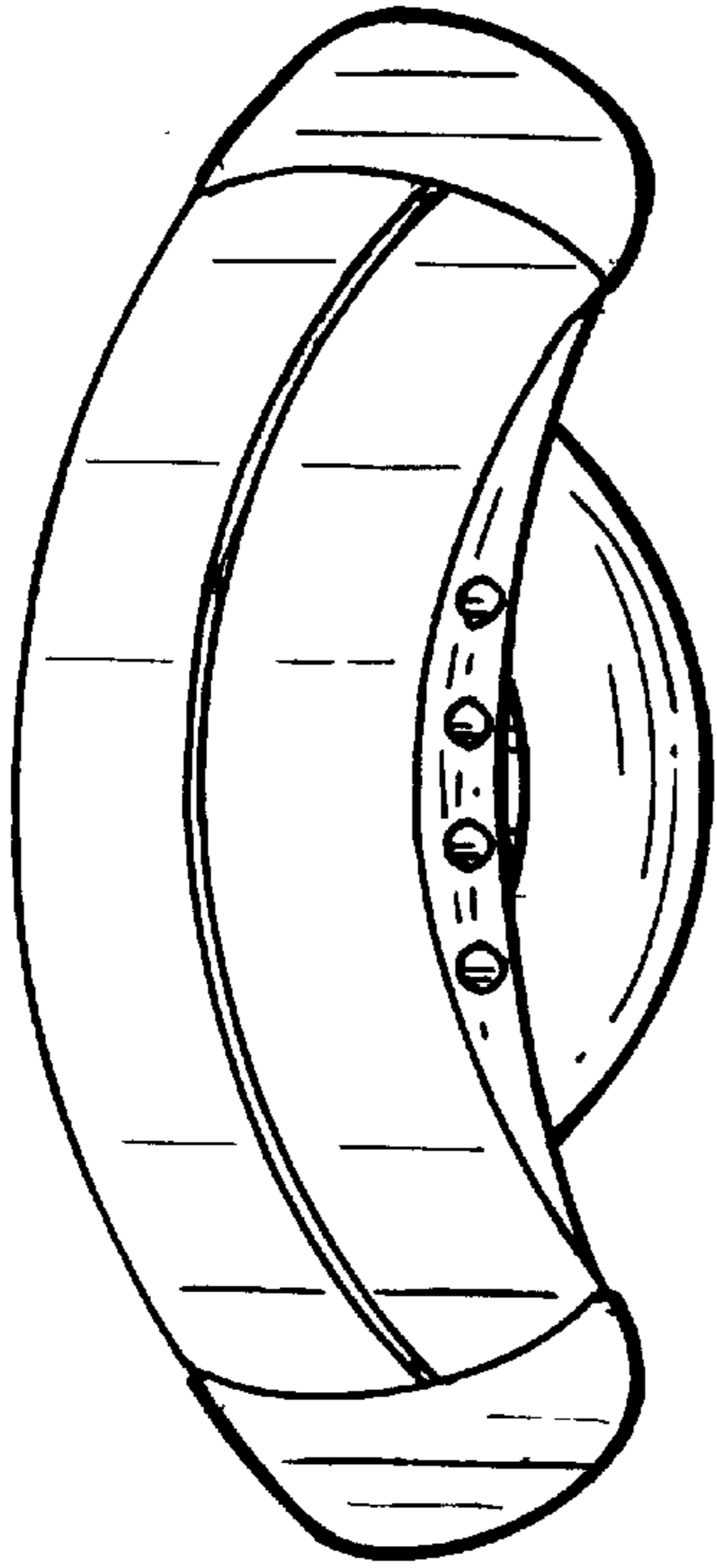


FIG. 5

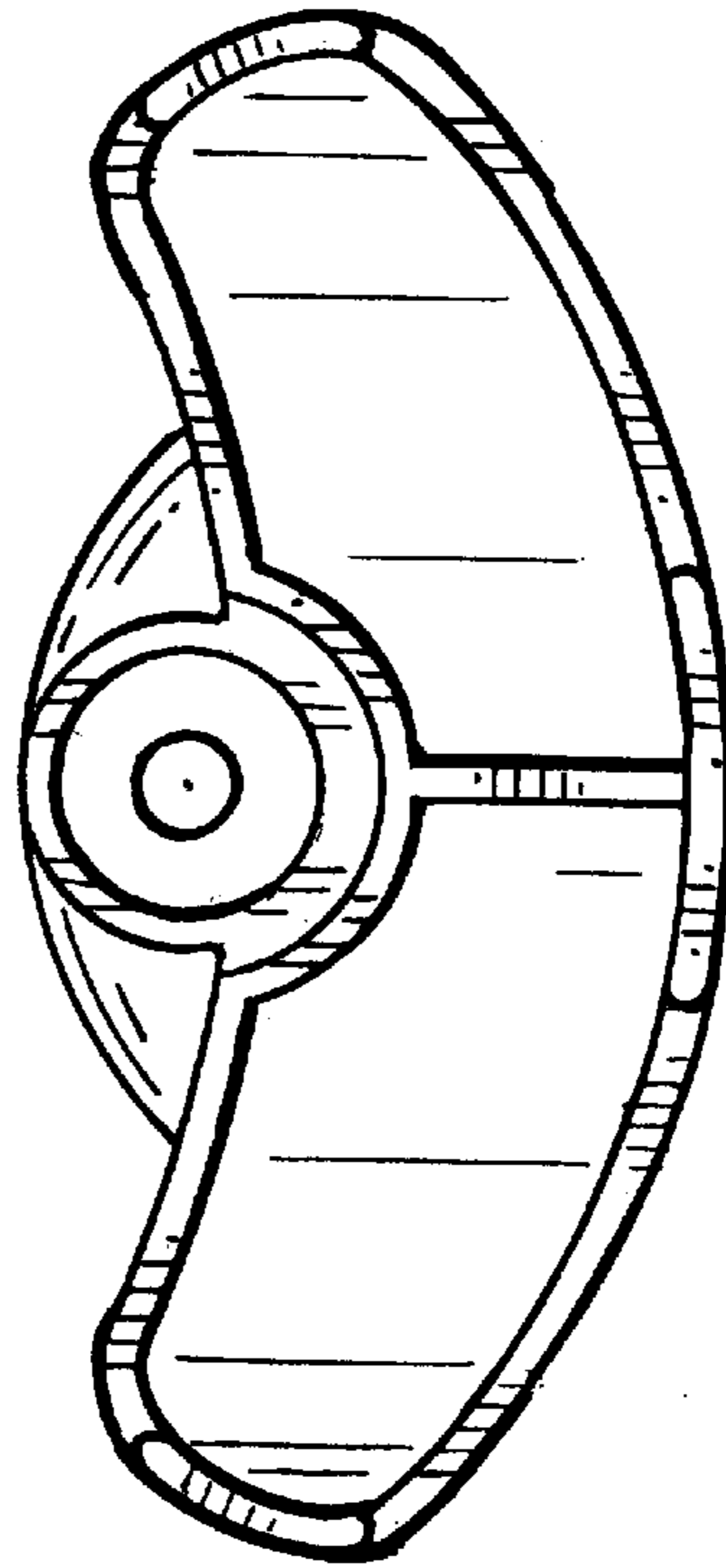


FIG. 6

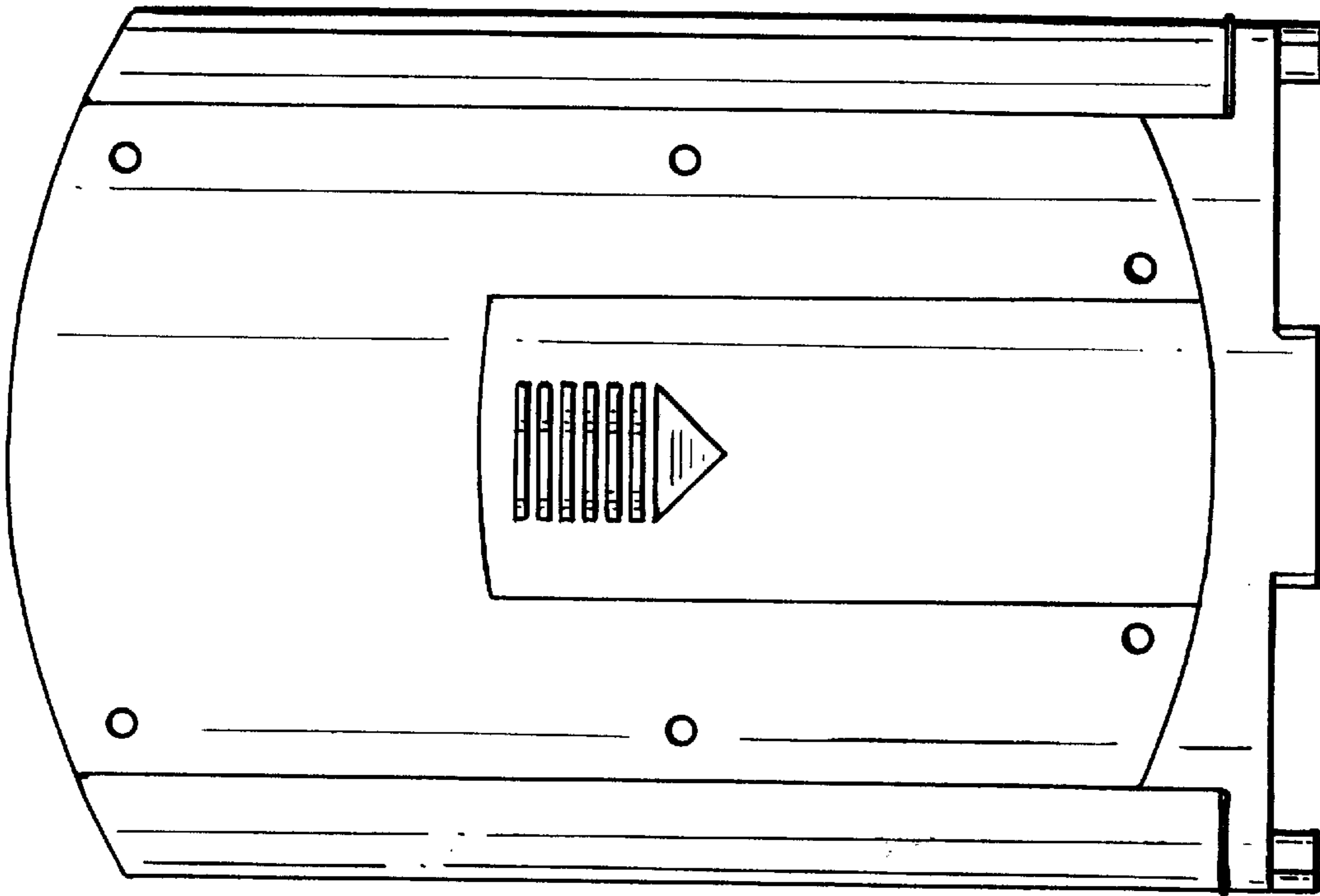


FIG. 7