



US00D415438S

United States Patent [19]
Plazonich

[11] **Patent Number: Des. 415,438**

[45] **Date of Patent: ** Oct. 19, 1999**

[54] **SCALE**

[75] Inventor: **Jean-Paul Plazonich**, Paris, France

[73] Assignee: **Terraillon**, Chatou, France

[**] Term: **14 Years**

[21] Appl. No.: **29/089,933**

[22] Filed: **Jun. 26, 1998**

[51] **LOC (6) Cl.** **10-04**

[52] **U.S. Cl.** **D10/92**

[58] **Field of Search** **D10/92; 177/238-245**

[56] **References Cited**

U.S. PATENT DOCUMENTS

4,934,469 6/1990 Jackson 177/244

Primary Examiner—Antoine Duval Davis
Attorney, Agent, or Firm—Harrison & Egbert

[57] **CLAIM**

The ornamental design for a scale, as shown and described.

DESCRIPTION

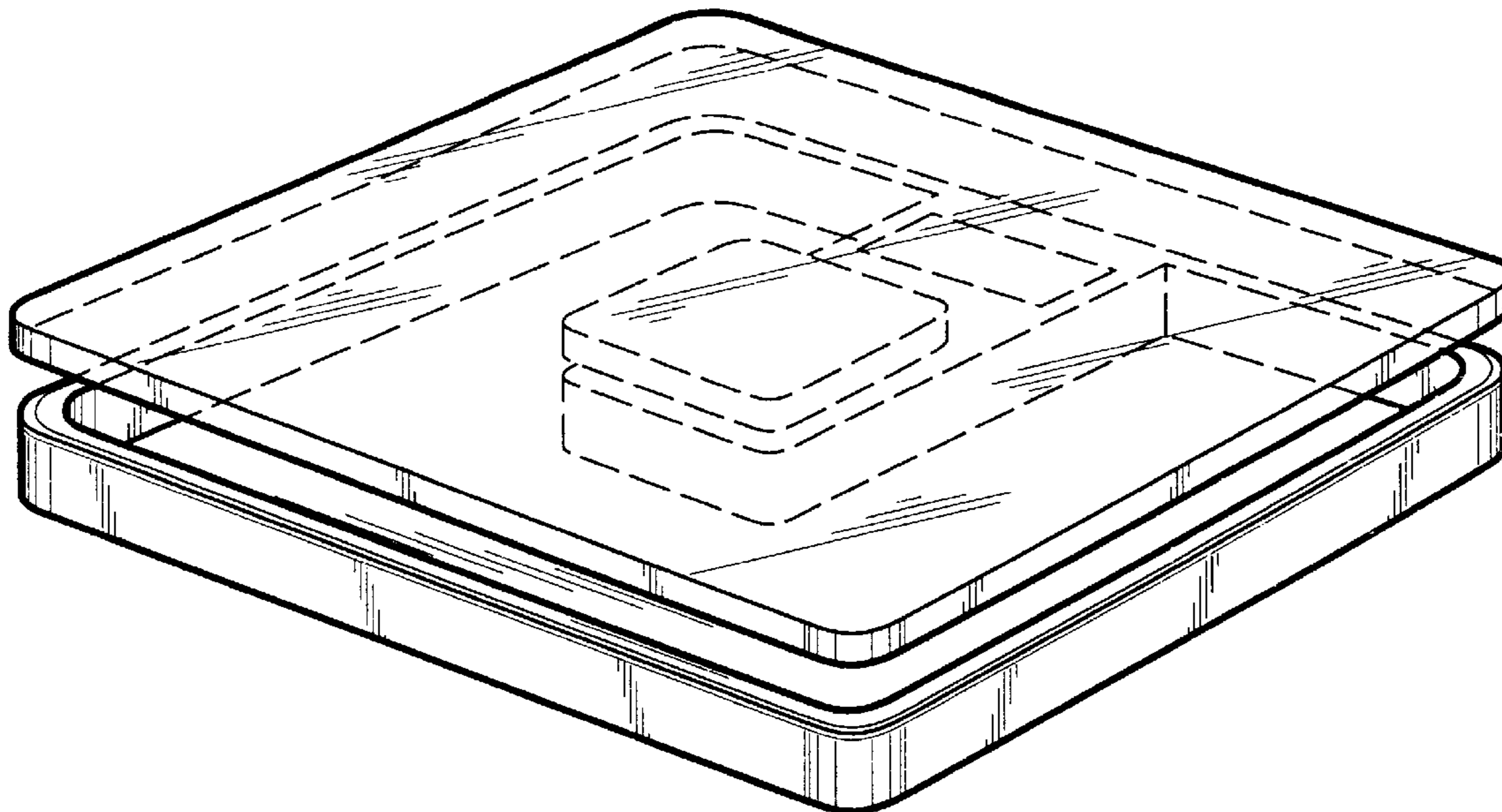
FIG. 1 is an upper perspective view of a scale showing my design.

FIG. 2 is a front view thereof, the back view being a mirror image thereof;

FIG. 3 is a side view thereof; and,

FIG. 4 is a bottom view thereof.

1 Claim, 2 Drawing Sheets



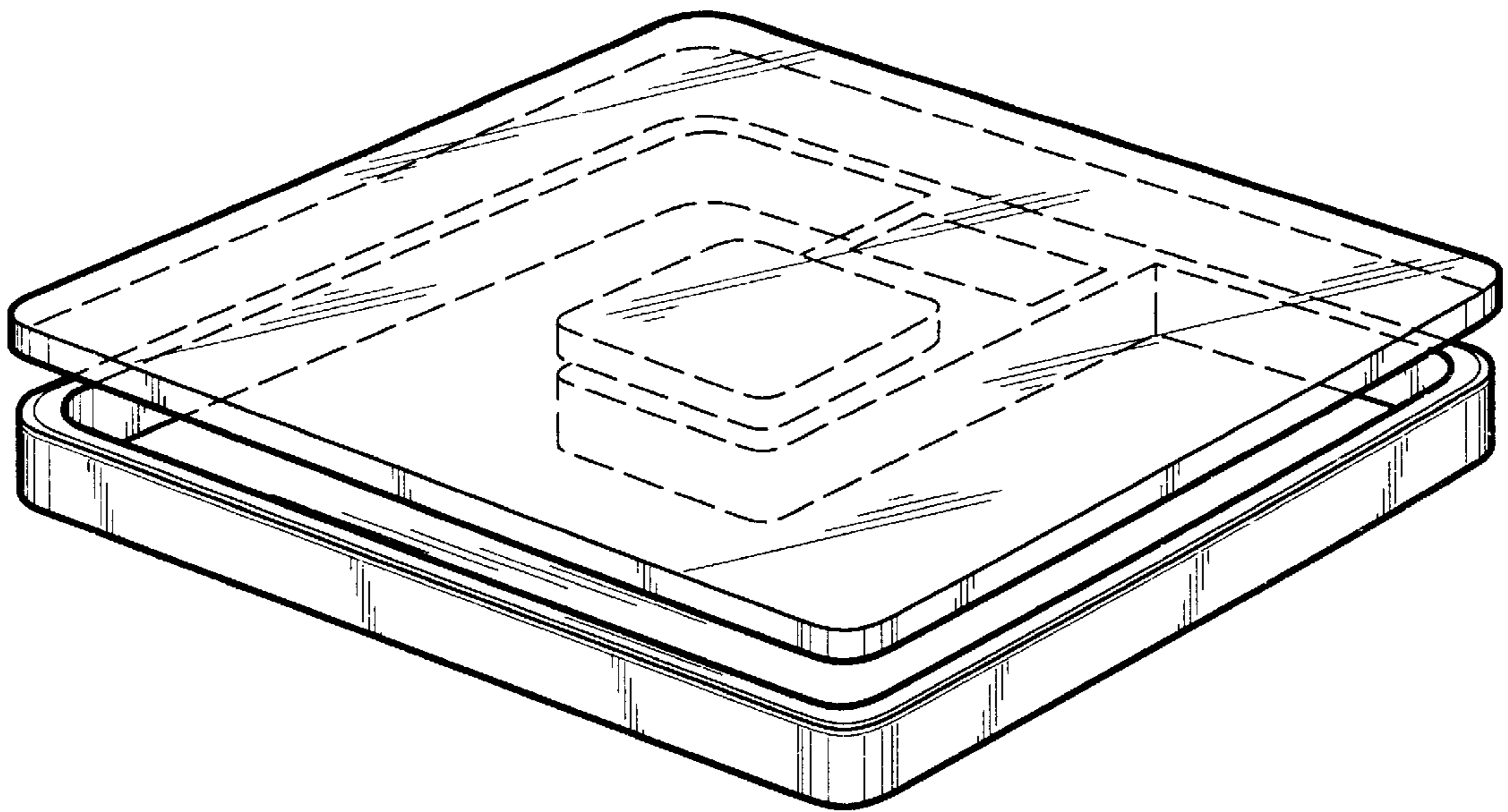


FIG. 1

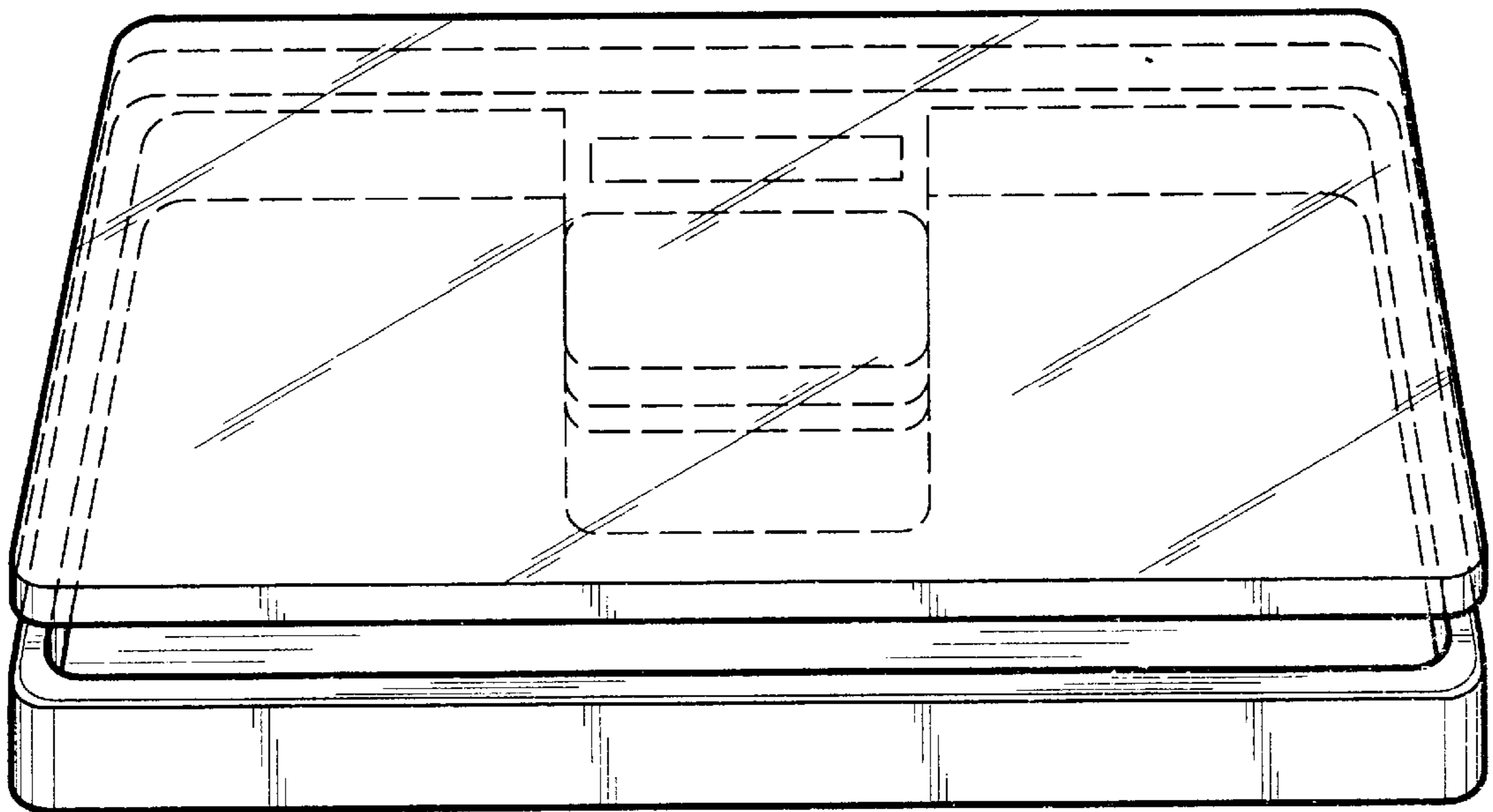


FIG. 2

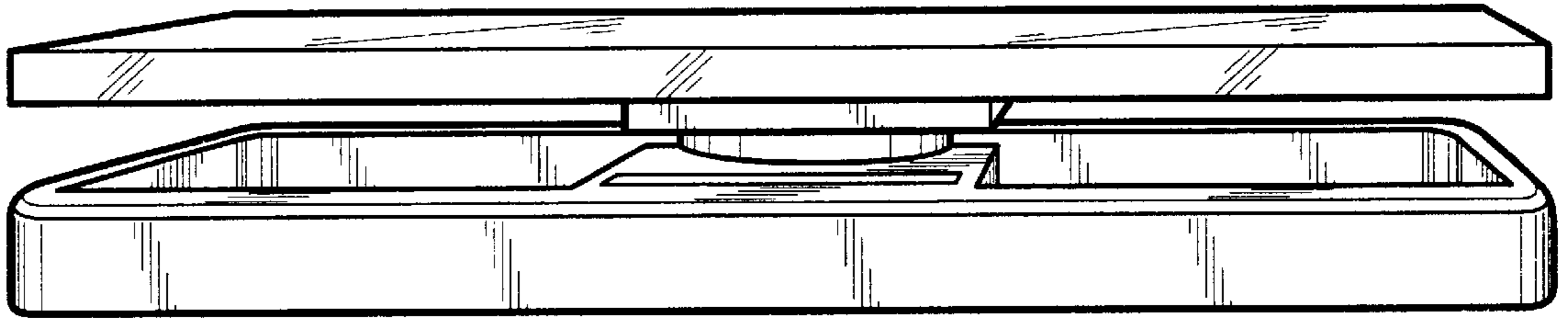


FIG. 3

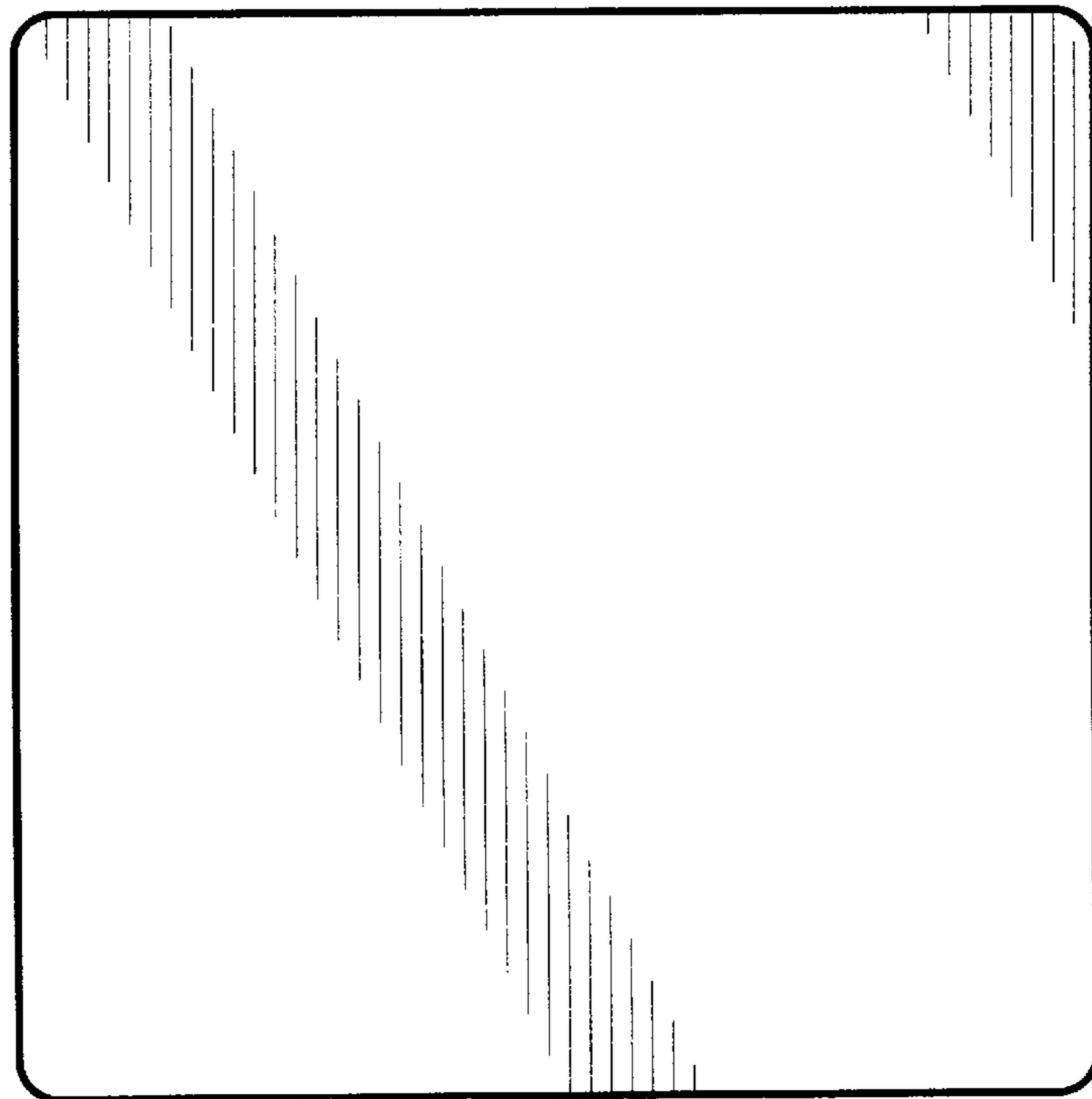


FIG. 4