



US00D415437S

United States Patent [19] Hartselle, III

[11] **Patent Number: Des. 415,437**

[45] **Date of Patent: ** Oct. 19, 1999**

[54] **POSTAL SCALE**

4,961,472 10/1990 Pratt .
5,767,456 6/1998 Hartselle .

[76] **Inventor: William Hartselle, III**, 15 Woodland Trail, Newnan, Ga. 30263

FOREIGN PATENT DOCUMENTS

[**] **Term: 14 Years**

586896 11/1975 Switzerland .

Primary Examiner—Antoine Duval Davis

[21] **Appl. No.: 29/097,415**

[57] CLAIM

[22] **Filed: Dec. 7, 1998**

The ornamental design for a postal scale, as shown.

[51] **LOC (6) Cl. 10-04**

DESCRIPTION

[52] **U.S. Cl. D10/90**

[58] **Field of Search** D10/90; 177/148,
177/171, 190, 191, 201, 246

FIG. 1 is a top, front and right perspective view of a postal scale with a calibration screw hidden from the top, left end and side views;

[56] References Cited

U.S. PATENT DOCUMENTS

- 440,959 11/1890 O'Marra .
- 2,284,526 5/1942 Linsley .
- 2,949,287 8/1960 Linsley .
- 3,057,421 10/1962 Fann .
- 3,135,344 6/1964 Olyphant .
- 3,224,516 12/1965 Stelzer .
- 3,786,885 1/1974 Mills .
- 3,830,322 8/1974 Mills .
- 4,792,002 12/1988 Ward .
- 4,840,241 6/1989 Ishikawa .

FIG. 2 is a front elevation view thereof;

FIG. 3 is a rear elevation view thereof;

FIG. 4 is a top plan view thereof;

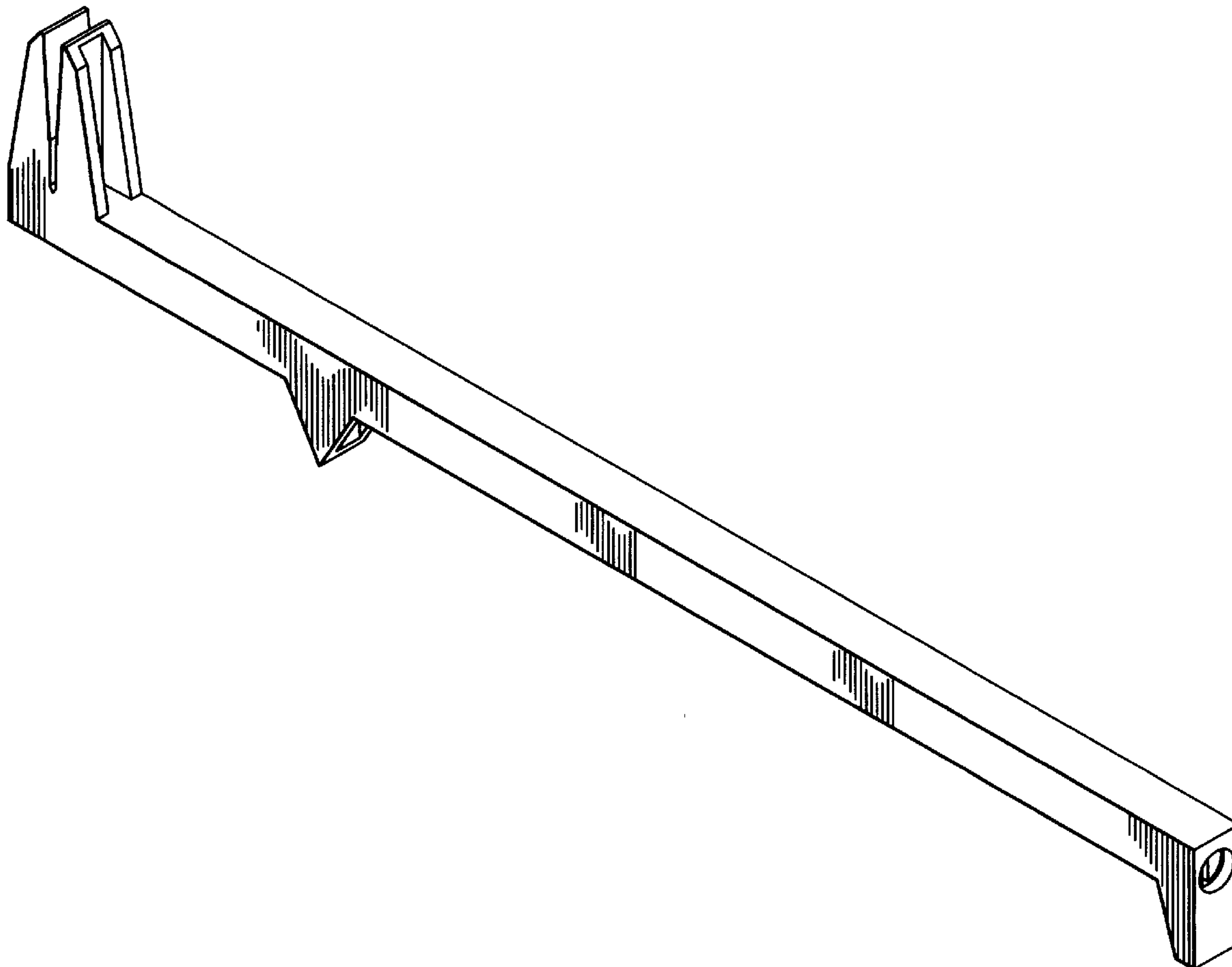
FIG. 5 is a bottom plan view thereof;

FIG. 6 is a left end elevation view thereof;

FIG. 7 is a right end elevation view thereof; and,

FIG. 8 is a bottom plan view of a second embodiment of the postal scale wherein the perspective view, the elevation views of the front, rear, left and right ends and the plan view of the top remain the same as shown in FIGS. 1-4 and 6-7.

1 Claim, 3 Drawing Sheets



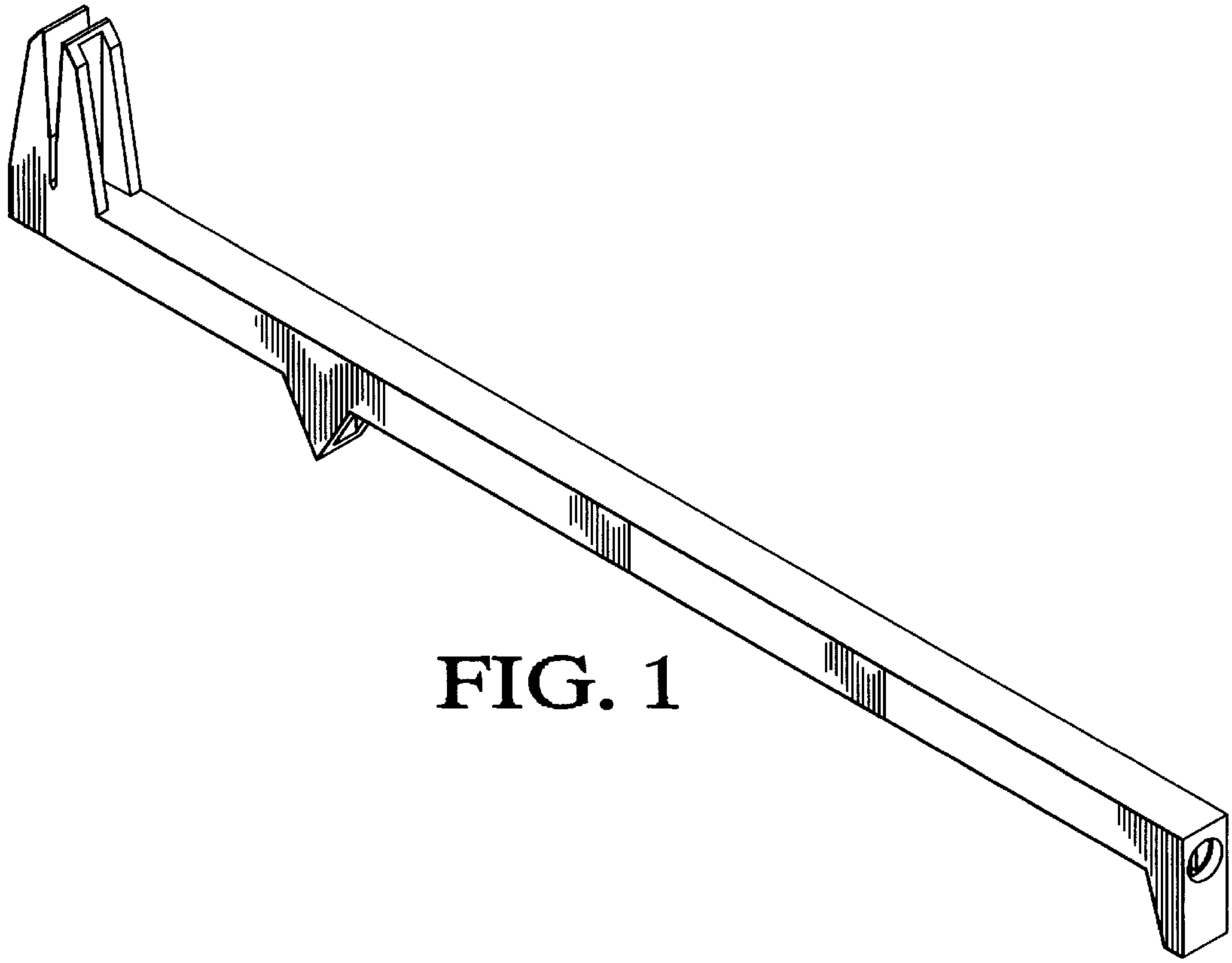


FIG. 1

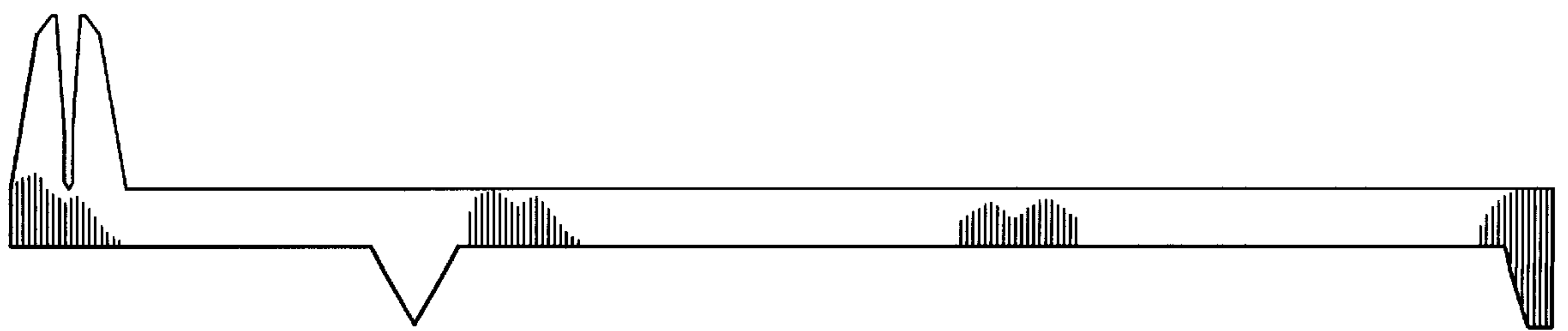


FIG. 2

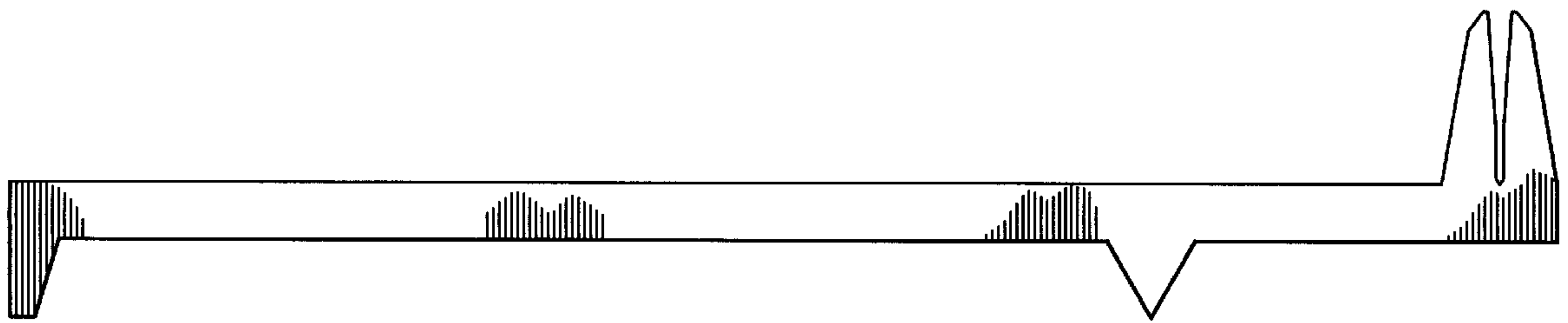


FIG. 3



FIG. 4

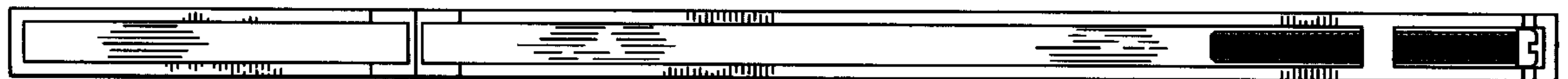


FIG. 5

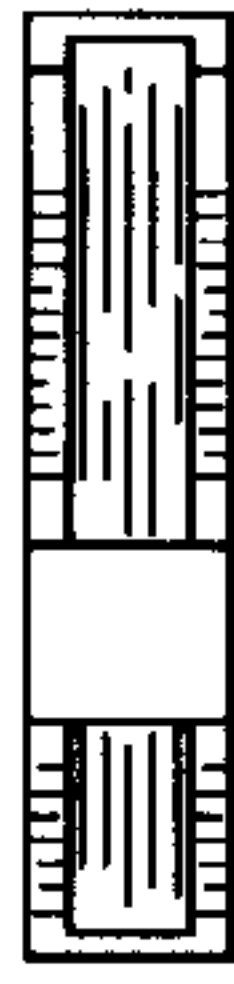


FIG. 6



FIG. 7

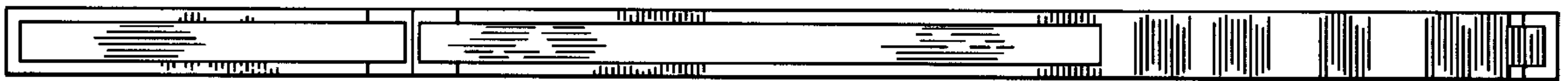


FIG. 8