



US00D415435S

United States Patent [19]

Yoshimura

[11] Patent Number: Des. 415,435

[45] Date of Patent: ** Oct. 19, 1999

[54] TEMPERATURE CONTROLLER FOR SOLDERING IRONS

[75] Inventor: Hiroshi Yoshimura, Osaka, Japan

[73] Assignee: Hakko Corporation, Osaka, Japan

[**] Term: 14 Years

[21] Appl. No.: 29/090,119

[22] Filed: Jun. 30, 1998

[30] Foreign Application Priority Data

Jan. 8, 1998 [JP] Japan 10-481

[51] LOC (6) Cl. 10-04

[52] U.S. Cl. D10/50

[58] Field of Search D10/50; 219/241, 219/229, 237; 228/51

[56] References Cited

U.S. PATENT DOCUMENTS

D. 375,904 11/1996 Fukuda D10/50
4,347,428 8/1982 Conrad et al. 219/241 X

Primary Examiner—Antoine Duval Davis
Attorney, Agent, or Firm—Vedder Price Kaufman & Kammholz

[57] CLAIM

The ornamental design of the temperature controller for soldering irons, as shown and described.

DESCRIPTION

FIG. 1 is a top plan view showing my new design; FIG. 2 is a bottom plan view showing my new design; FIG. 3 is a front elevational view showing my new design; FIG. 4 is a back elevational view showing my new design; FIG. 5 is an elevational view showing one side of my new design; FIG. 6 is an elevational view showing the other side of my new design; FIG. 7 is a perspective view showing my new design; and, FIG. 8 is a perspective view showing my new design in use. The broken line showing is for illustrative purposes only and forms no part of the claimed design.

1 Claim, 4 Drawing Sheets

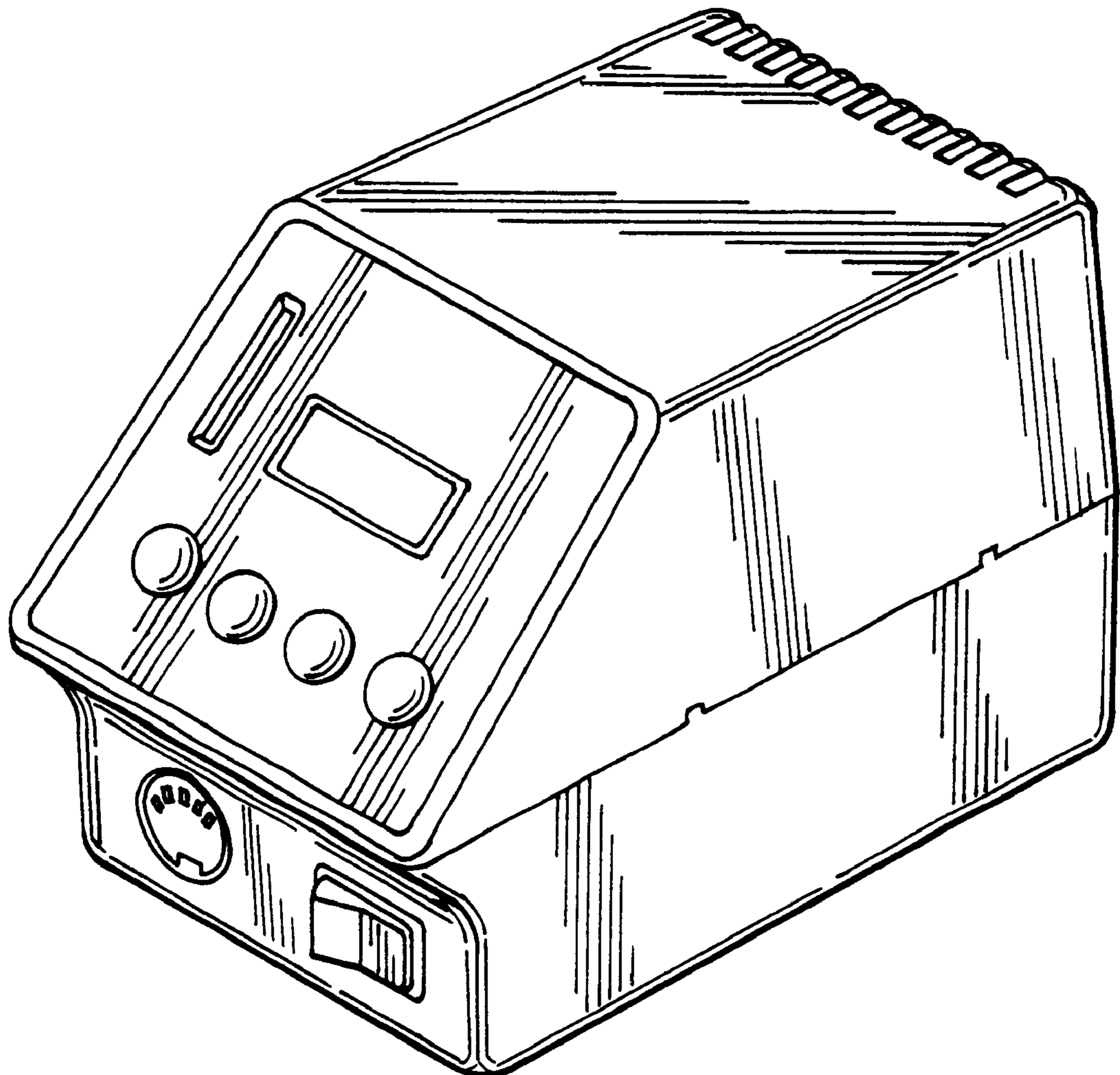


FIG. 1

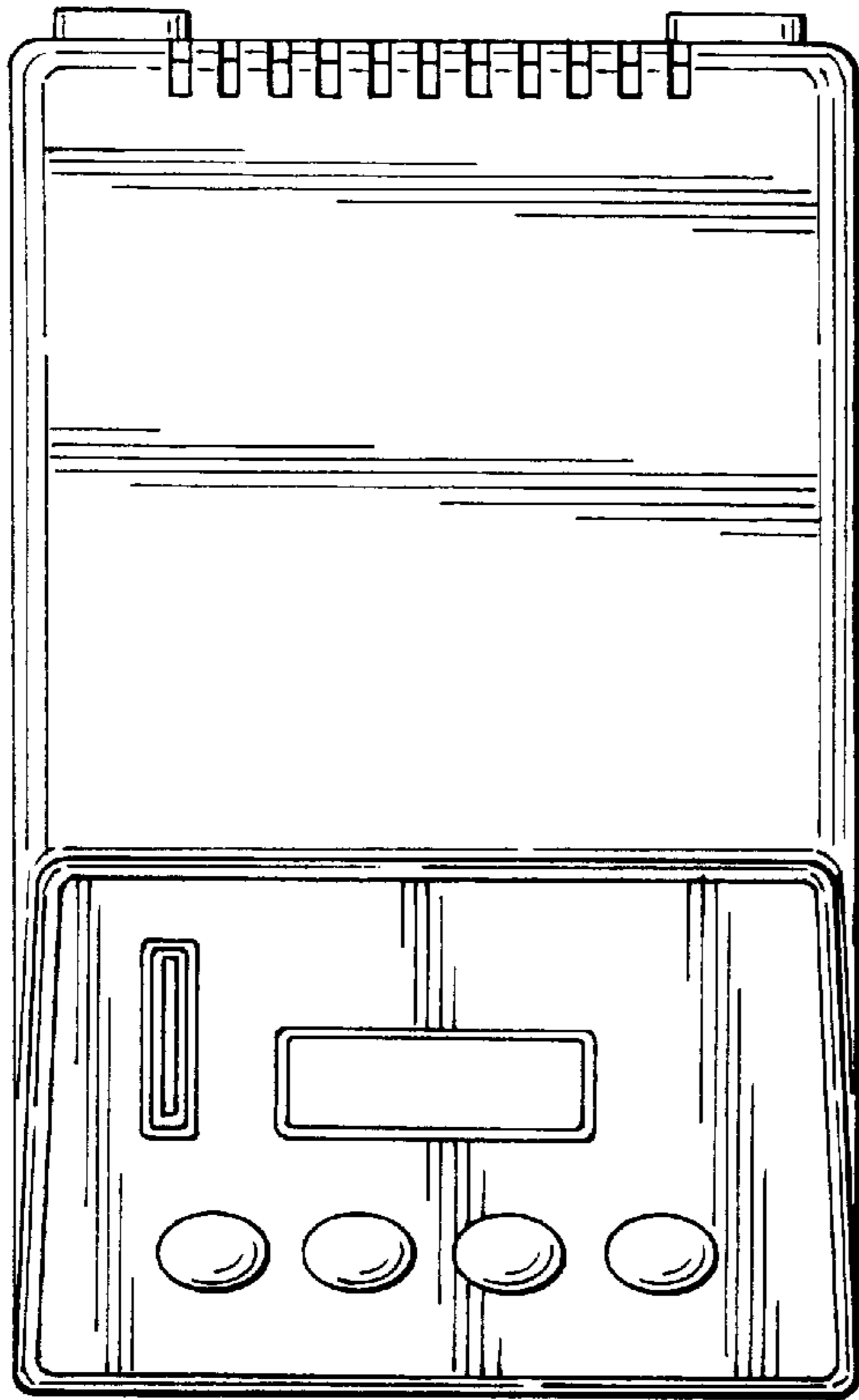


FIG. 2

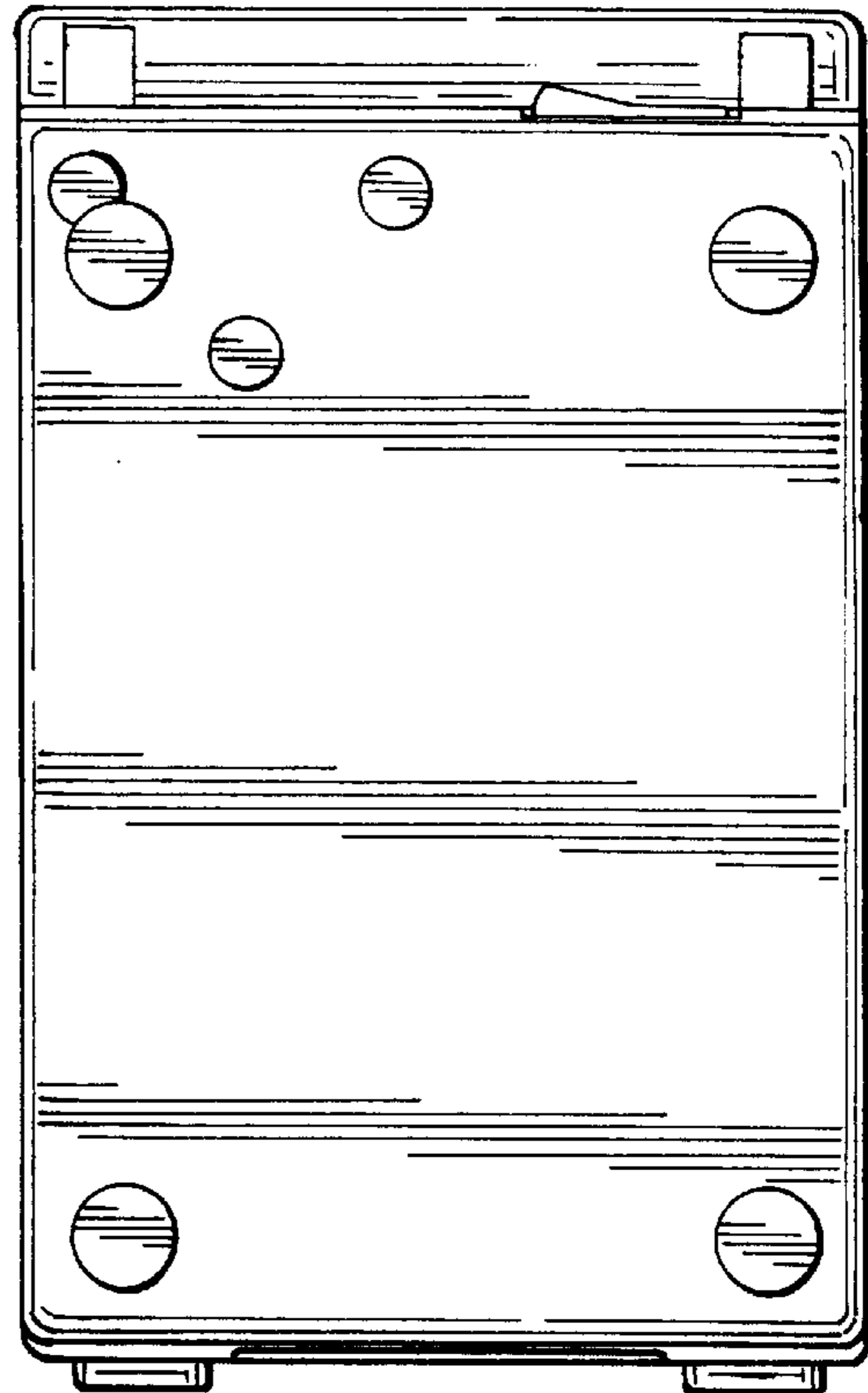


FIG. 3

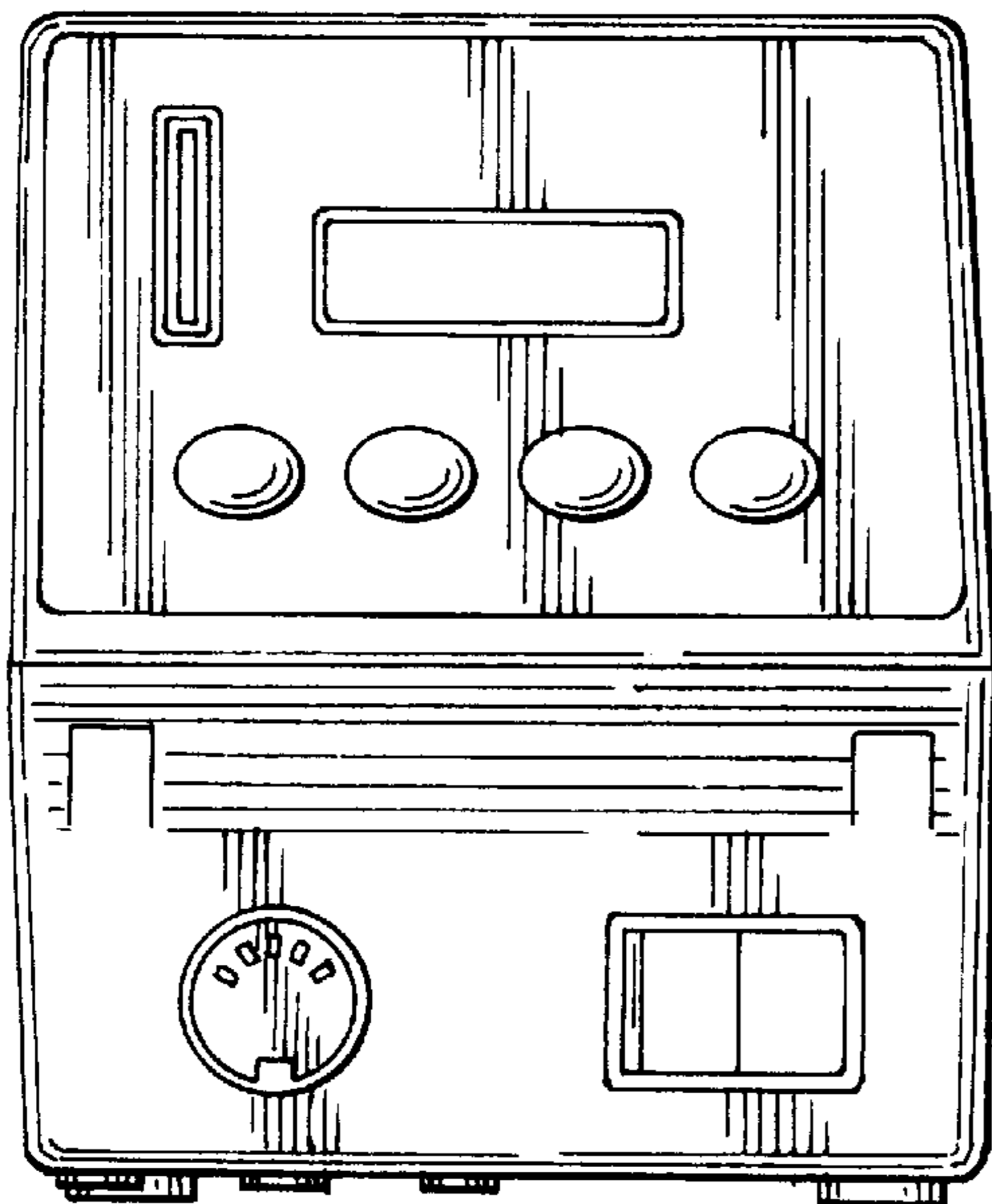


FIG. 4

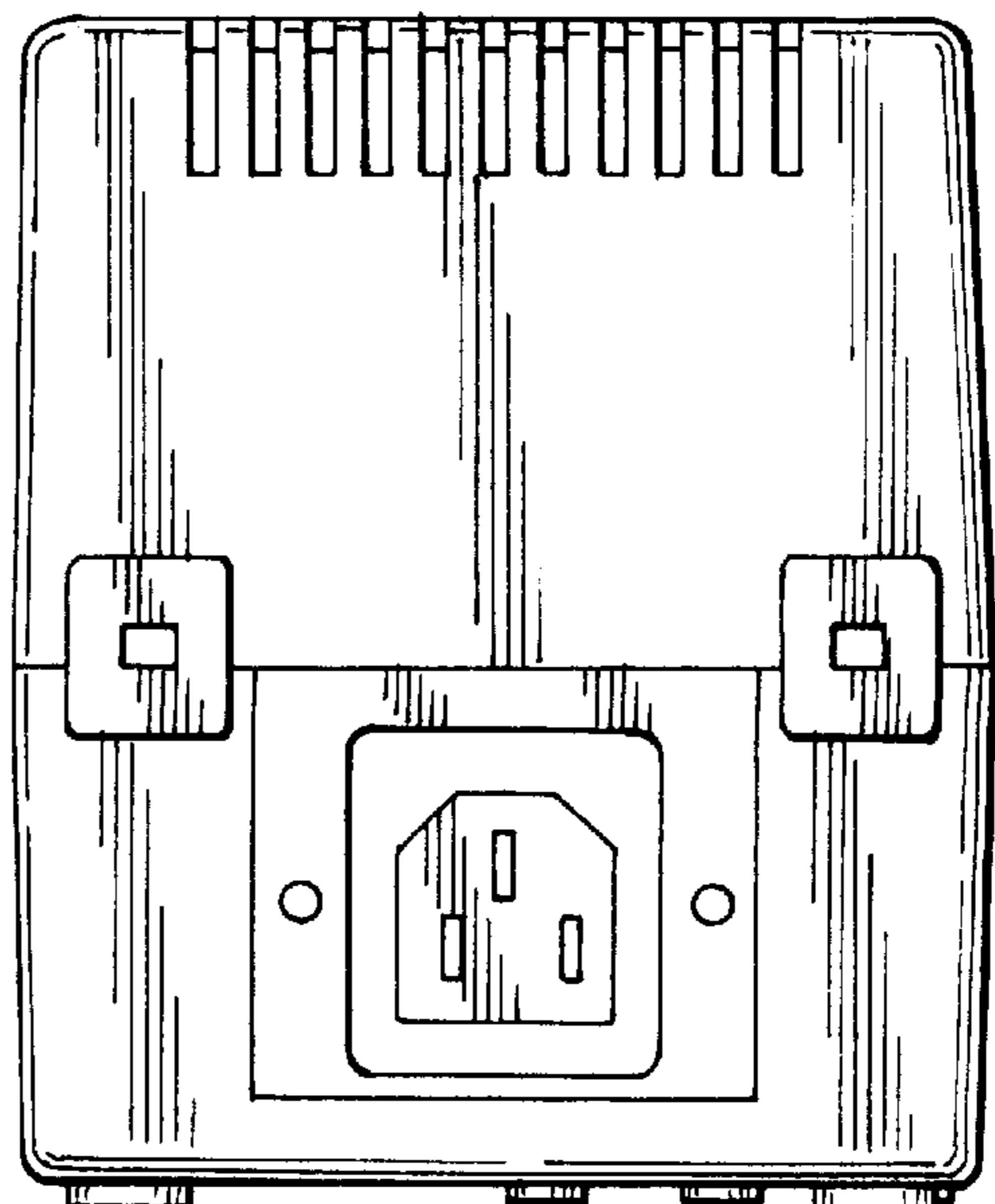


FIG. 5

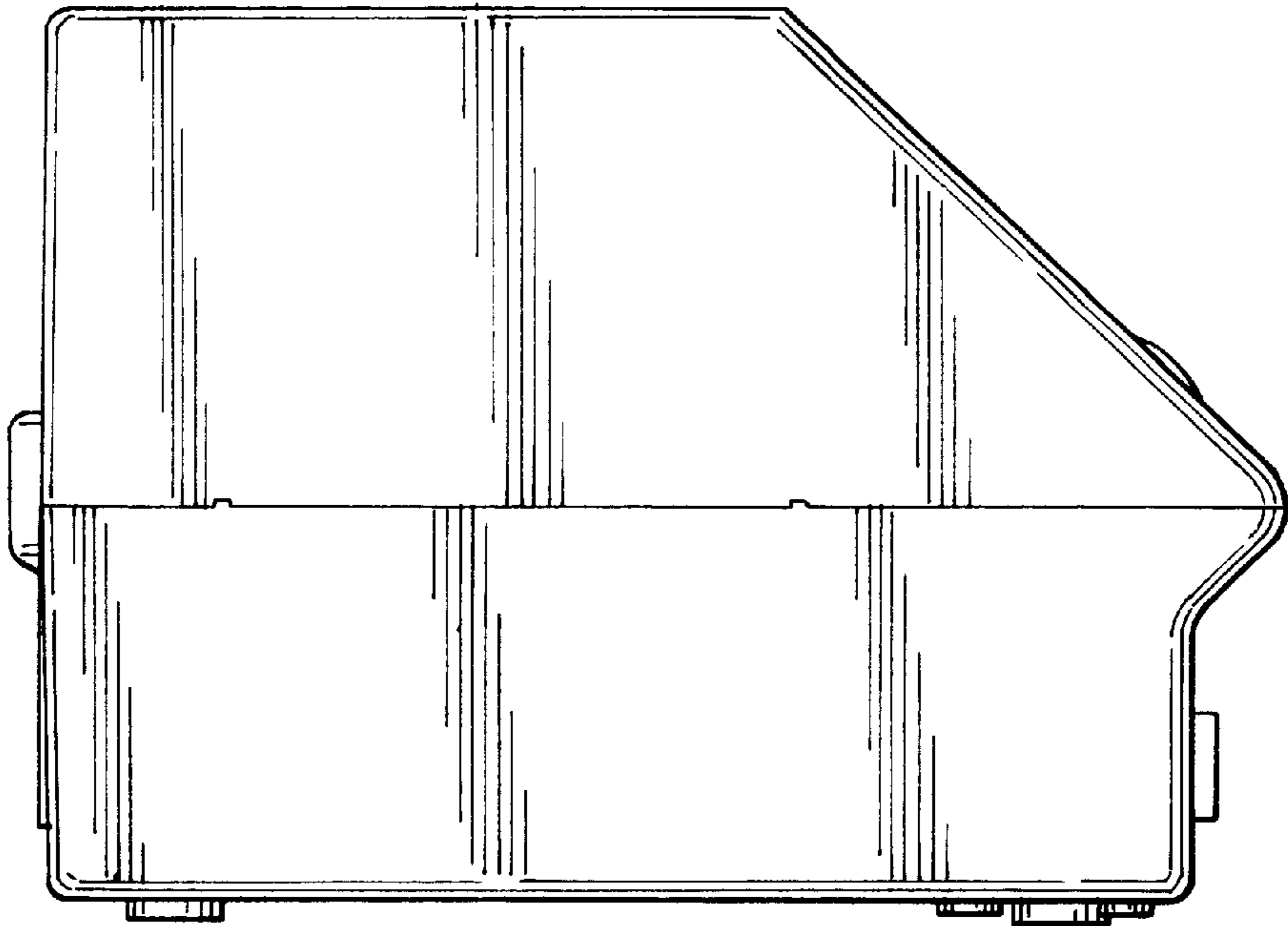


FIG. 6

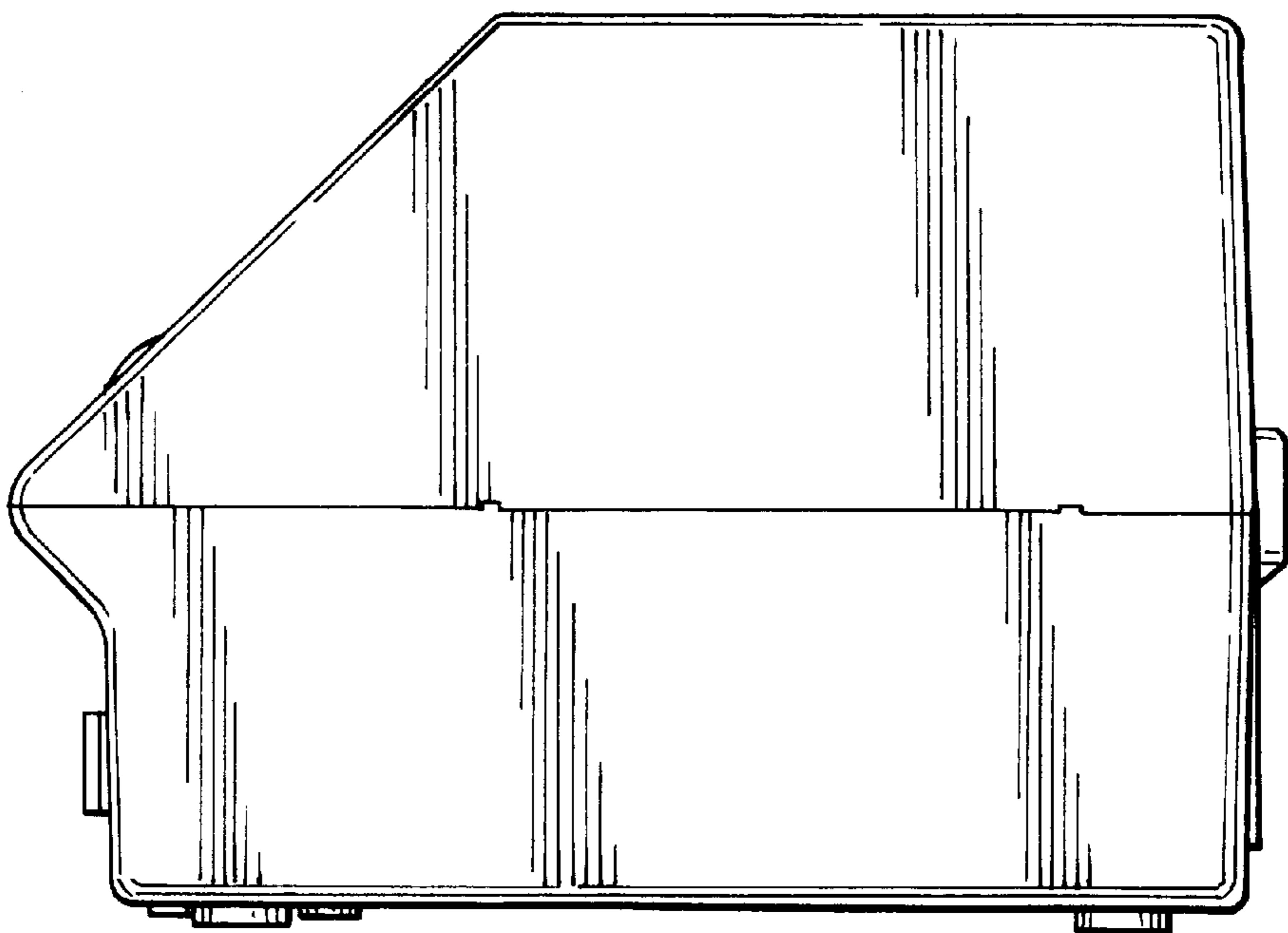


FIG. 7

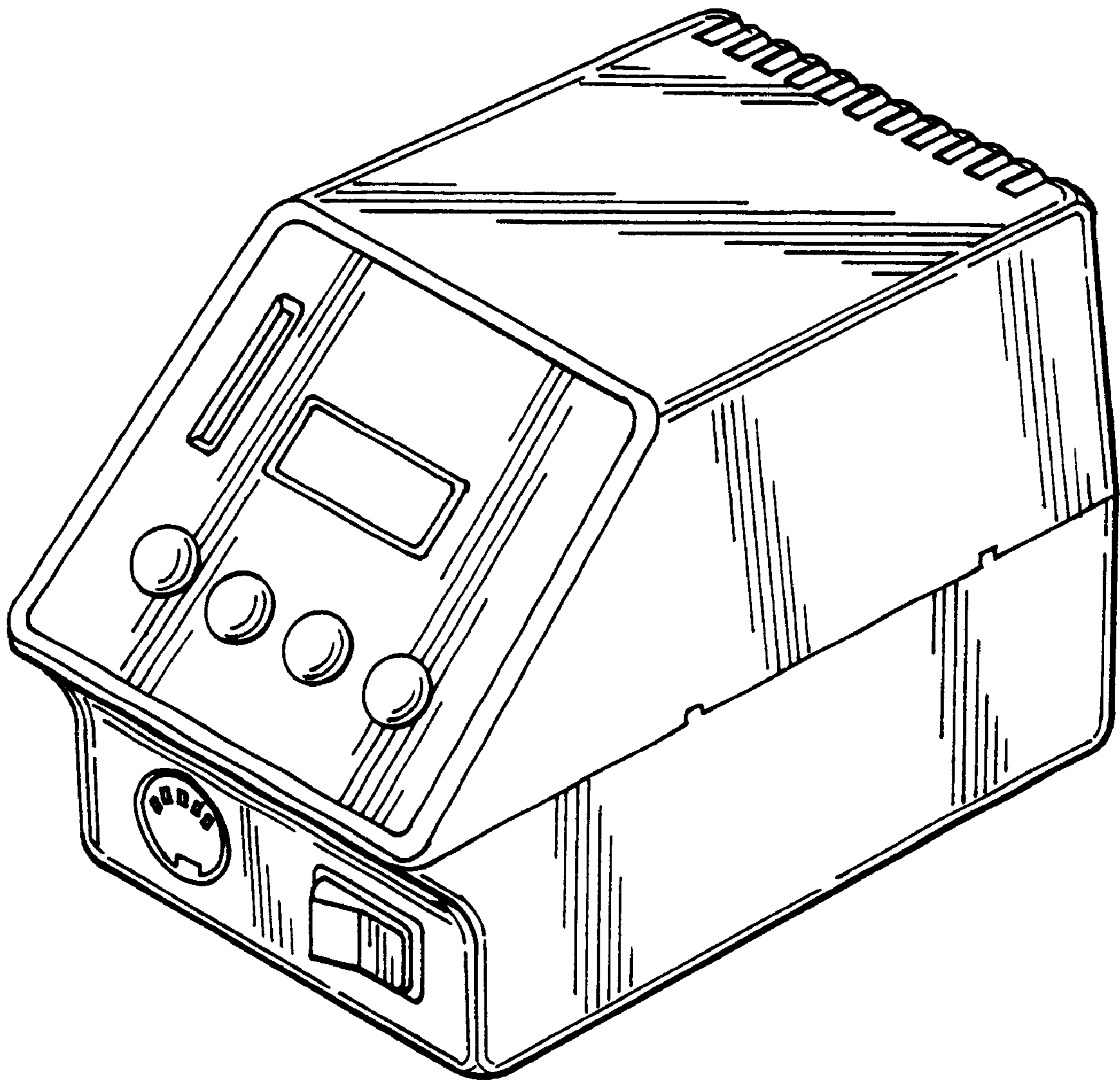


FIG. 8

