



US00D415431S

United States Patent [19] Duke

[11] Patent Number: **Des. 415,431**

[45] Date of Patent: **** Oct. 19, 1999**

[54] **CLOCK**

[75] Inventor: **Jim Duke**, Duluth, Ga.

[73] Assignee: **GTC Properties, Inc.**, Wilmington, Del.

[**] Term: **14 Years**

[21] Appl. No.: **29/093,871**

[22] Filed: **Sep. 21, 1998**

[51] **LOC (6) Cl.** **10-01**

[52] **U.S. Cl.** **D10/15; D10/18; D10/28**

[58] **Field of Search** D10/1-40, 122-132;
368/280-282, 276-277, 28-30, 285, 239-242,
82-84, 41-44

[56] **References Cited**

U.S. PATENT DOCUMENTS

- D. 37,411 4/1905 McGraw .
- D. 117,828 11/1939 Bowers .

- D. 147,742 10/1947 Bowers .
- D. 267,236 12/1982 Kemper, Jr. D10/23
- D. 363,435 10/1995 Wong D10/18
- D. 397,055 8/1998 Cho D10/122

Primary Examiner—Nelson C. Holtje
Attorney, Agent, or Firm—Jones, Day, Reavis & Pogue

[57] **CLAIM**

The ornamental design for a clock, as shown and described.

DESCRIPTION

FIG. 1 is a perspective view of the clock of the present invention;
FIG. 2 is a front elevational view of the clock of FIG. 1;
FIG. 3 is a top plan view of the clock of FIG. 1; and,
FIG. 4 is a right side elevational view of the clock of FIG. 1, the left side view being a mirror image thereof.
The broken line showing of a “dial” in FIGS. 1 and 4 and “clock feet” in FIGS. 2 and 4 is for environmental purposes only and forms no part of the claimed design.

1 Claim, 3 Drawing Sheets

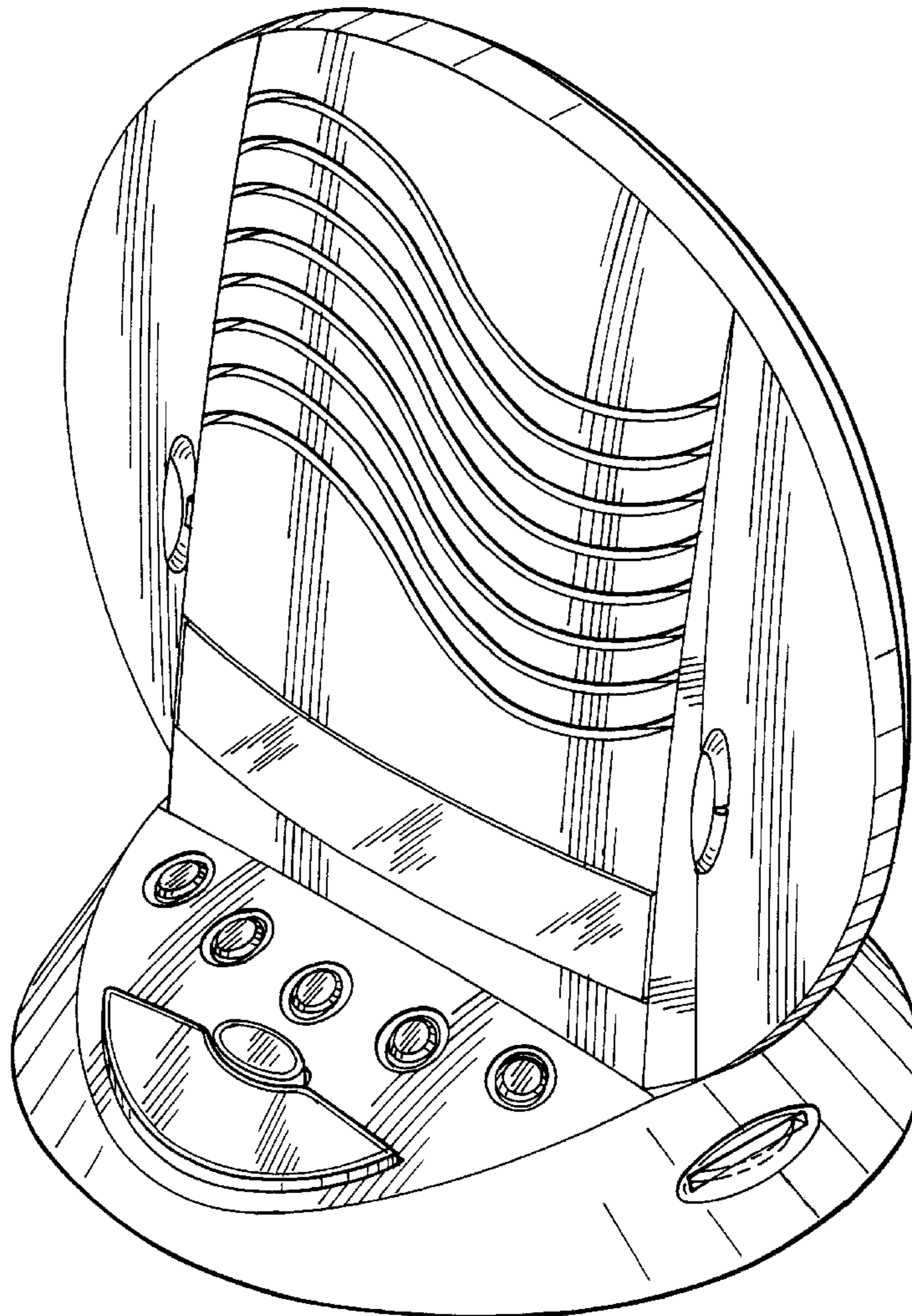


FIG. 1

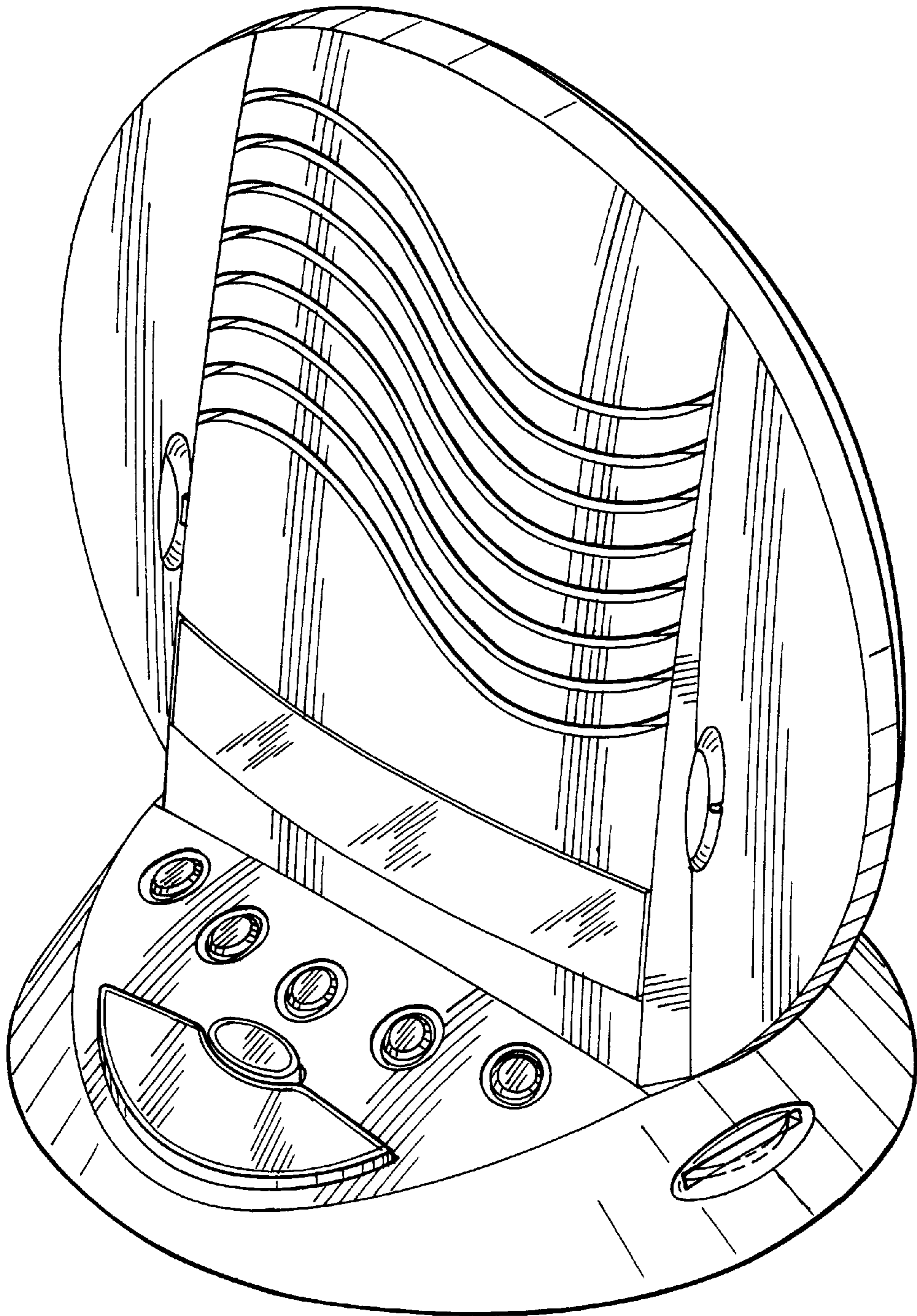
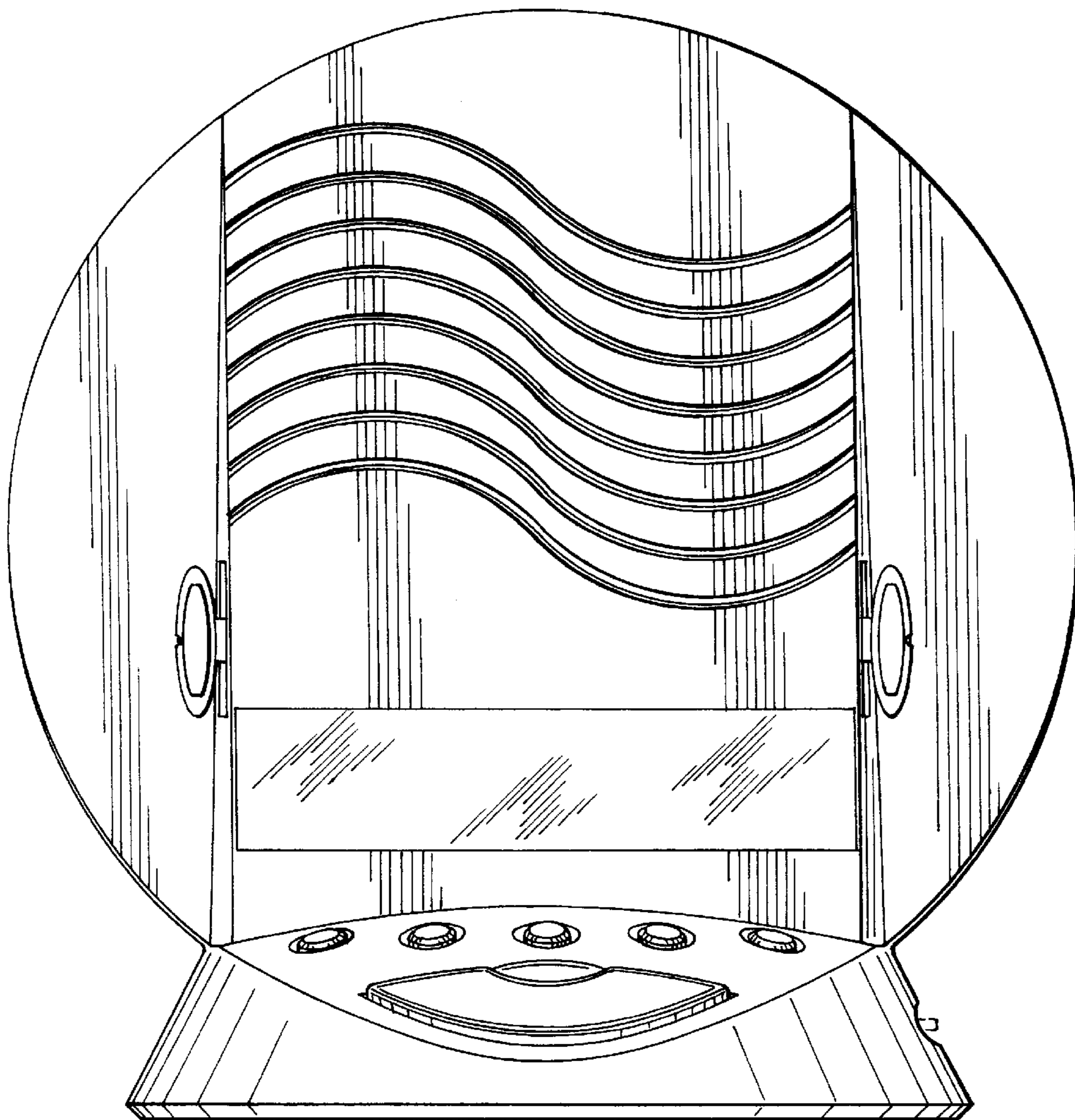


FIG.2



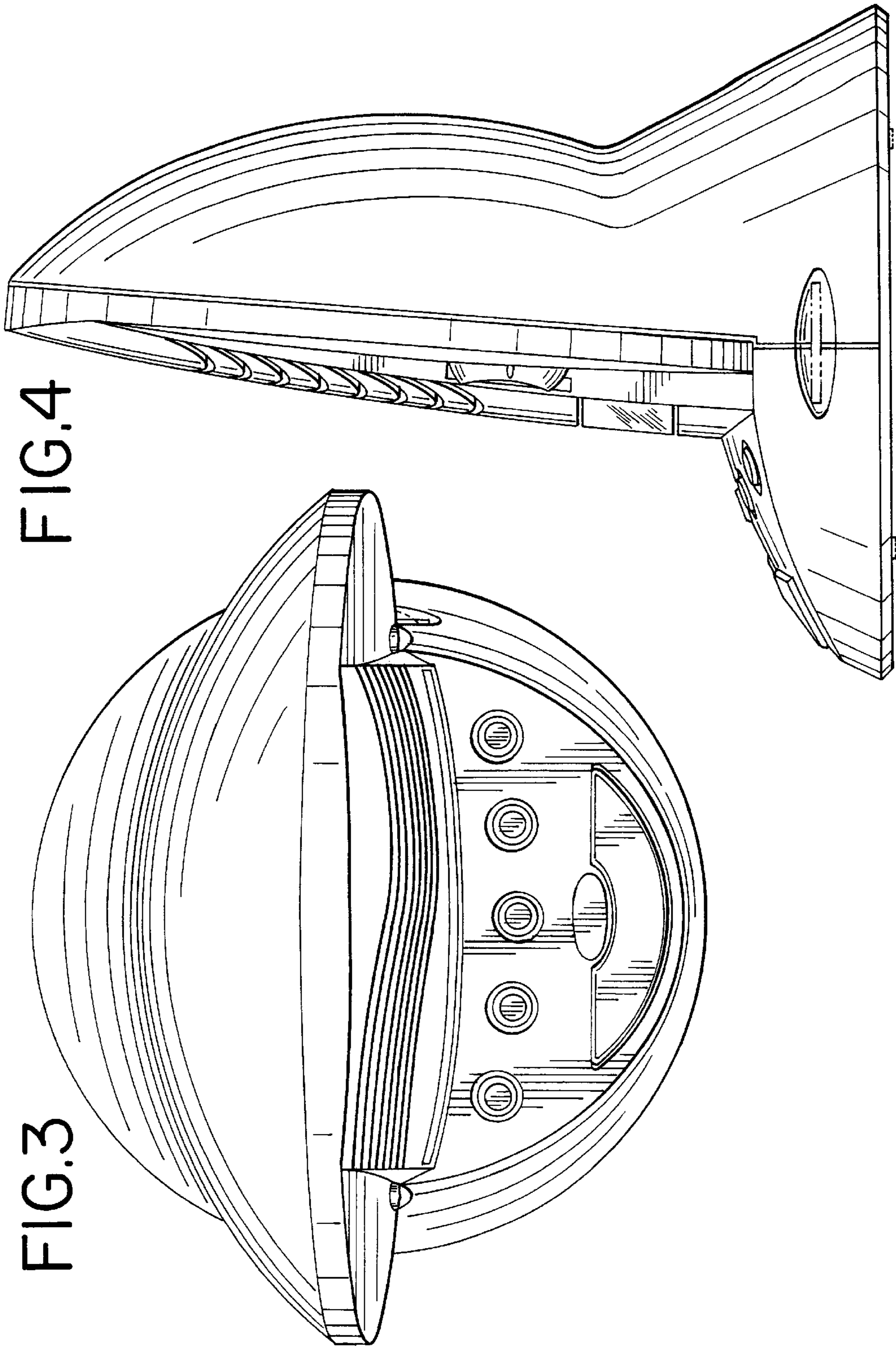


FIG. 4

FIG. 3