



US00D415428S

United States Patent [19]

Keller et al.

[11] Patent Number: Des. 415,428

[45] Date of Patent: ** Oct. 19, 1999

[54] COMBINED DRINK BOTTLE AND CAP

[75] Inventors: **Christine A. Keller**, Stoughton; **Daniel R. Feldmeier**, Waunakee, both of Wis.

[73] Assignee: **Kraft Foods, Inc.**, Northfield, Ill.

[**] Term: **14 Years**

[21] Appl. No.: **29/096,870**

[22] Filed: **Nov. 20, 1998**

[51] LOC (6) Cl. **09-01**

[52] U.S. Cl. **D9/503; D9/538**

[58] Field of Search D9/500, 538, 503, D9/504, 505, 520, 539; 215/382, 383, 384

[56] References Cited

U.S. PATENT DOCUMENTS

- D. 208,504 9/1967 Trombley .
- D. 227,554 7/1973 Bagguley et al. .
- D. 227,556 7/1973 Bagguley et al. .
- D. 228,887 10/1973 Plummer .
- D. 231,729 6/1974 Hasegawa et al. .
- D. 234,292 2/1975 Plummer D9/500
- D. 236,433 8/1975 Strand D9/500
- D. 242,527 11/1976 Plummer .
- D. 245,068 7/1977 Ruriani .
- D. 247,847 5/1978 Kretz .
- D. 264,182 5/1982 Kemp et al. .

- D. 274,218 6/1984 Aramaki .
- D. 286,617 11/1986 Goodwin et al. .
- D. 294,460 3/1988 Rogler .
- D. 299,115 12/1988 Wetherell, Jr. D9/500
- D. 315,869 4/1991 Collette .
- D. 322,562 12/1991 Narsutis .
- D. 346,556 5/1994 Sirico et al. .
- D. 379,151 5/1997 Stevens D9/503
- D. 379,760 6/1997 Zogg .
- D. 379,761 6/1997 Zogg .
- D. 379,762 6/1997 Zogg .
- D. 384,889 10/1997 Nasrallah .
- 5,341,946 8/1994 Vaillencourt et al. .

Primary Examiner—Lucy Lieberman
Attorney, Agent, or Firm—Lockwood, Alex, Fitzgibbon & Cummings

[57] CLAIM

The ornamental design for a combined drink bottle and cap, as shown and described.

DESCRIPTION

FIG. 1 is a perspective view of a combined drink bottle and cap showing our new design; FIG. 2 is a front elevation of the combined drink bottle and cap, the rear and side elevations are the same; FIG. 3 is a top plan view thereof; and, FIG. 4 is a bottom plan view thereof.

1 Claim, 1 Drawing Sheet

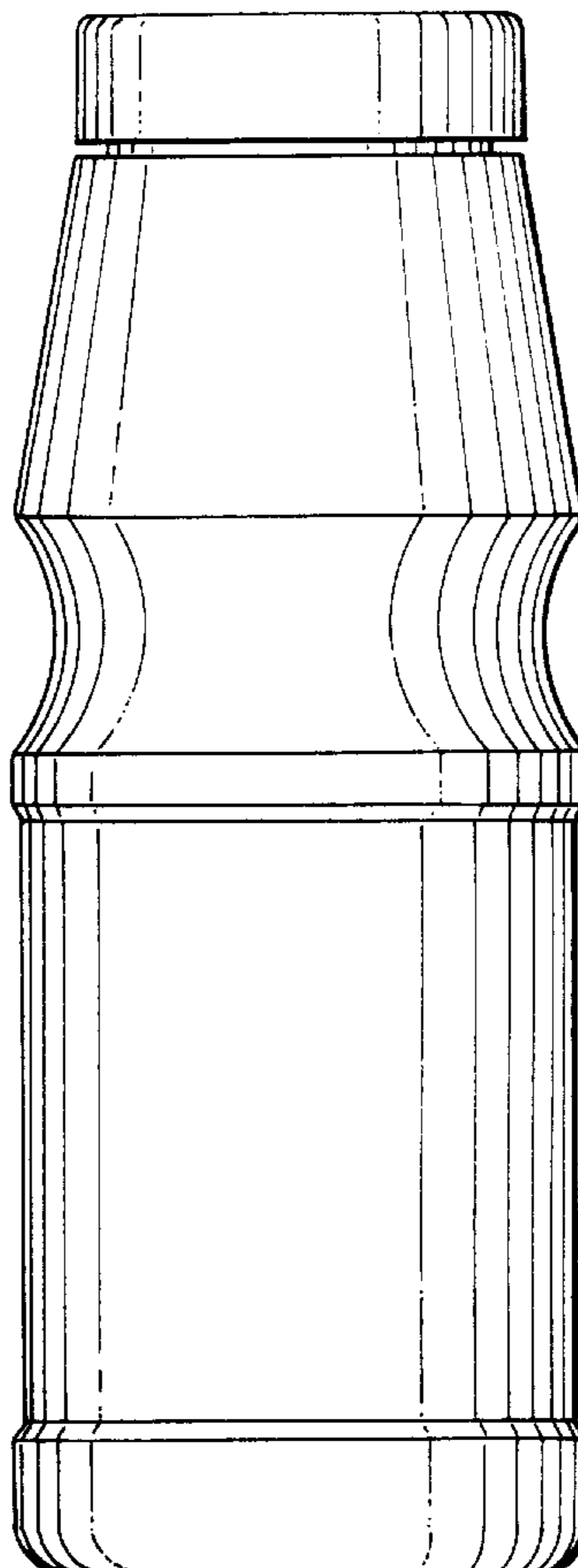


FIG. 1

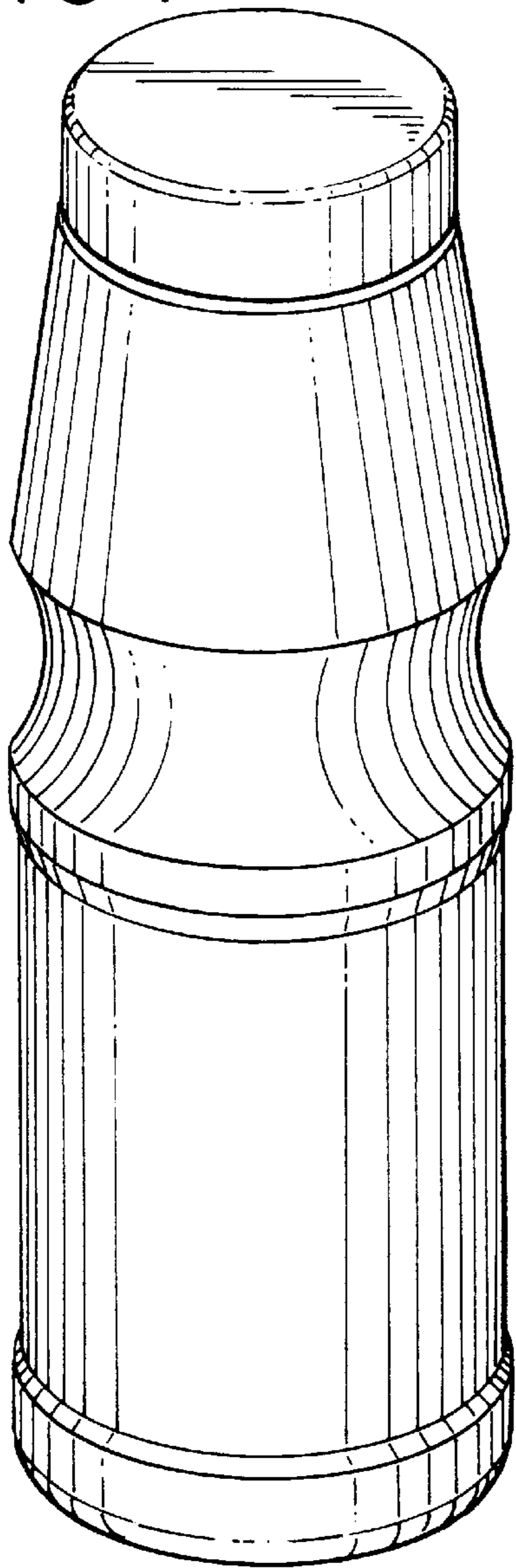


FIG. 2

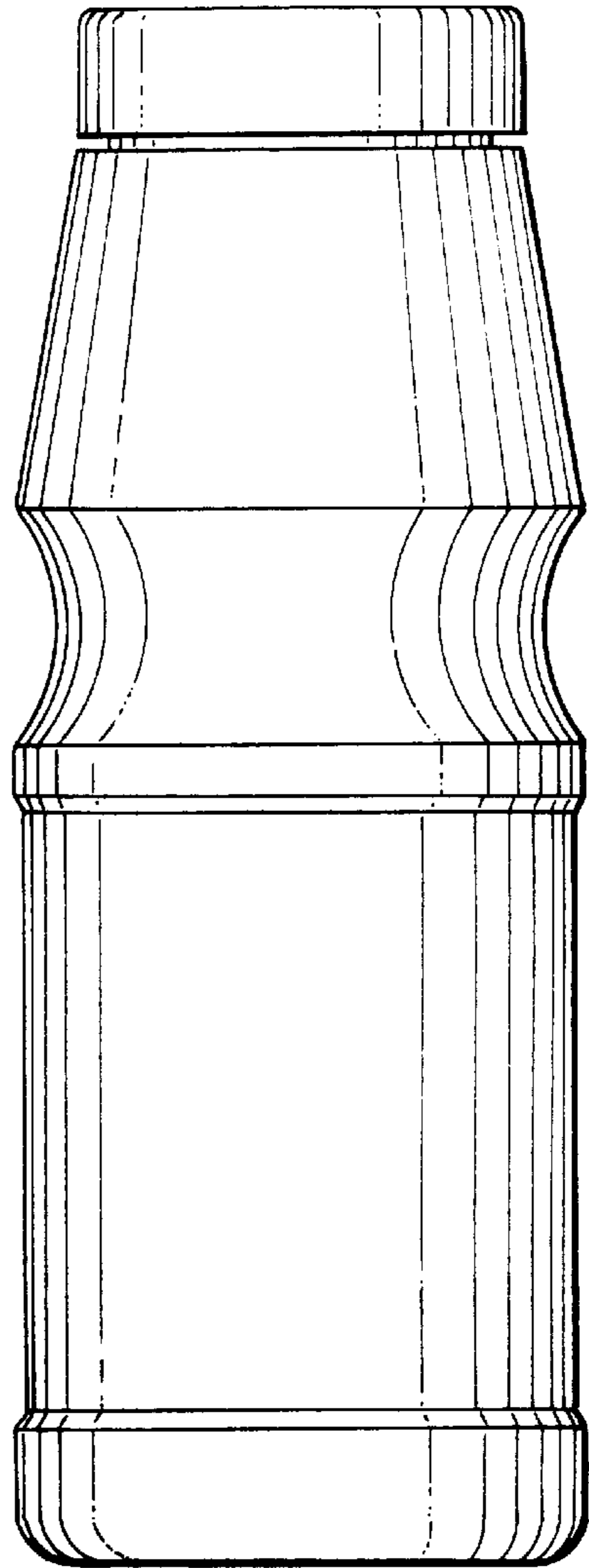


FIG. 3

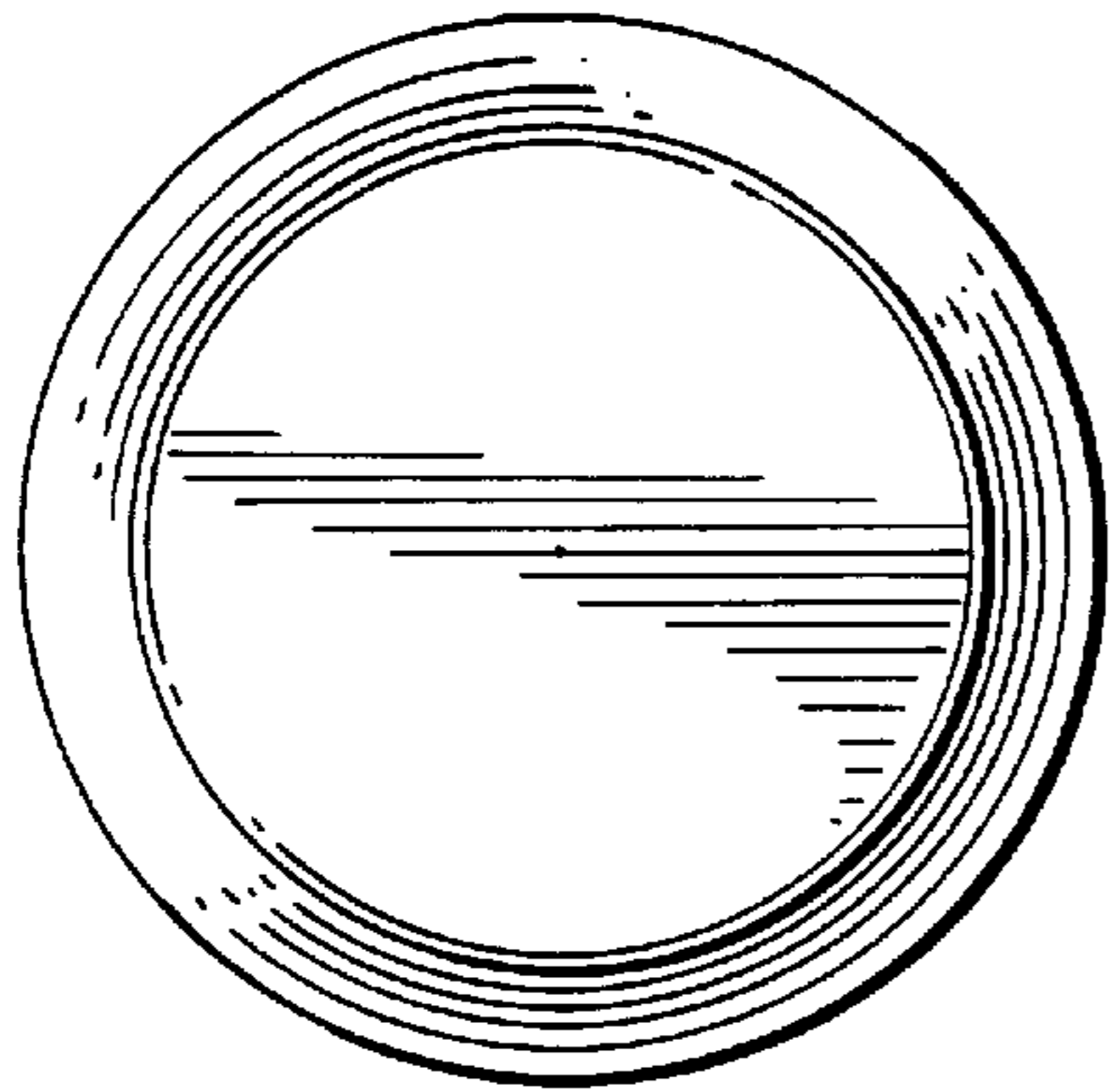


FIG. 4

