



US00D415427S

# United States Patent [19]

**Durliat**

[11] **Patent Number: Des. 415,427**

[45] **Date of Patent: \*\* Oct. 19, 1999**

[54] **ACTUATOR FOR PUMP DISPENSER FOR LOTION OR THE LIKE**

[75] Inventor: **Leonora M. Durliat**, Toledo, Ohio

[73] Assignee: **Owens-Illinois Closure Inc.**, Toledo, Ohio

[\*\*] Term: **14 Years**

[21] Appl. No.: **29/094,008**

[22] Filed: **Sep. 23, 1998**

[51] **LOC (6) Cl.** ..... **09-07**

[52] **U.S. Cl.** ..... **D9/448**

[58] **Field of Search** ..... D9/300, 447, 448, D9/449; 222/153.1, 153.11, 153.12, 153.13, 153.14, 251, 320, 321.1, 321.6, 321.7, 321.8, 321.9

[56] **References Cited**

**U.S. PATENT DOCUMENTS**

D. 309,256	7/1990	Boesel	.....	D9/300
D. 352,657	11/1994	Gonda et al.	.....	D9/300
D. 376,310	12/1996	Crawford	.....	D9/300
D. 392,887	3/1998	Wadsworth	.....	D9/448

D. 397,937	9/1998	Wadsworth	.....	D9/448
D. 400,103	10/1998	Park	.....	D9/448
4,424,919	1/1984	Knox et al.	.....	222/153.13
4,991,746	2/1991	Schultz	.....	222/153.13

**FOREIGN PATENT DOCUMENTS**

2676907	12/1992	France	.....	222/321.7
---------	---------	--------	-------	-----------

*Primary Examiner*—Cathron B. Matta

[57] **CLAIM**

The ornamental design for an actuator for pump dispenser for lotion or the like, as shown and described.

**DESCRIPTION**

FIG. 1 is a perspective view showing my new design with the pump collar in broken lines for illustrative purposes only and forming no part of the claimed design.

FIG. 2 is a top plan view;

FIG. 3 is a right side elevation;

FIG. 4 is a front elevation;

FIG. 5 is a rear elevation; and,

FIG. 6 is a bottom plan view.

The left side elevation is a mirror image of the right side elevation.

**1 Claim, 2 Drawing Sheets**

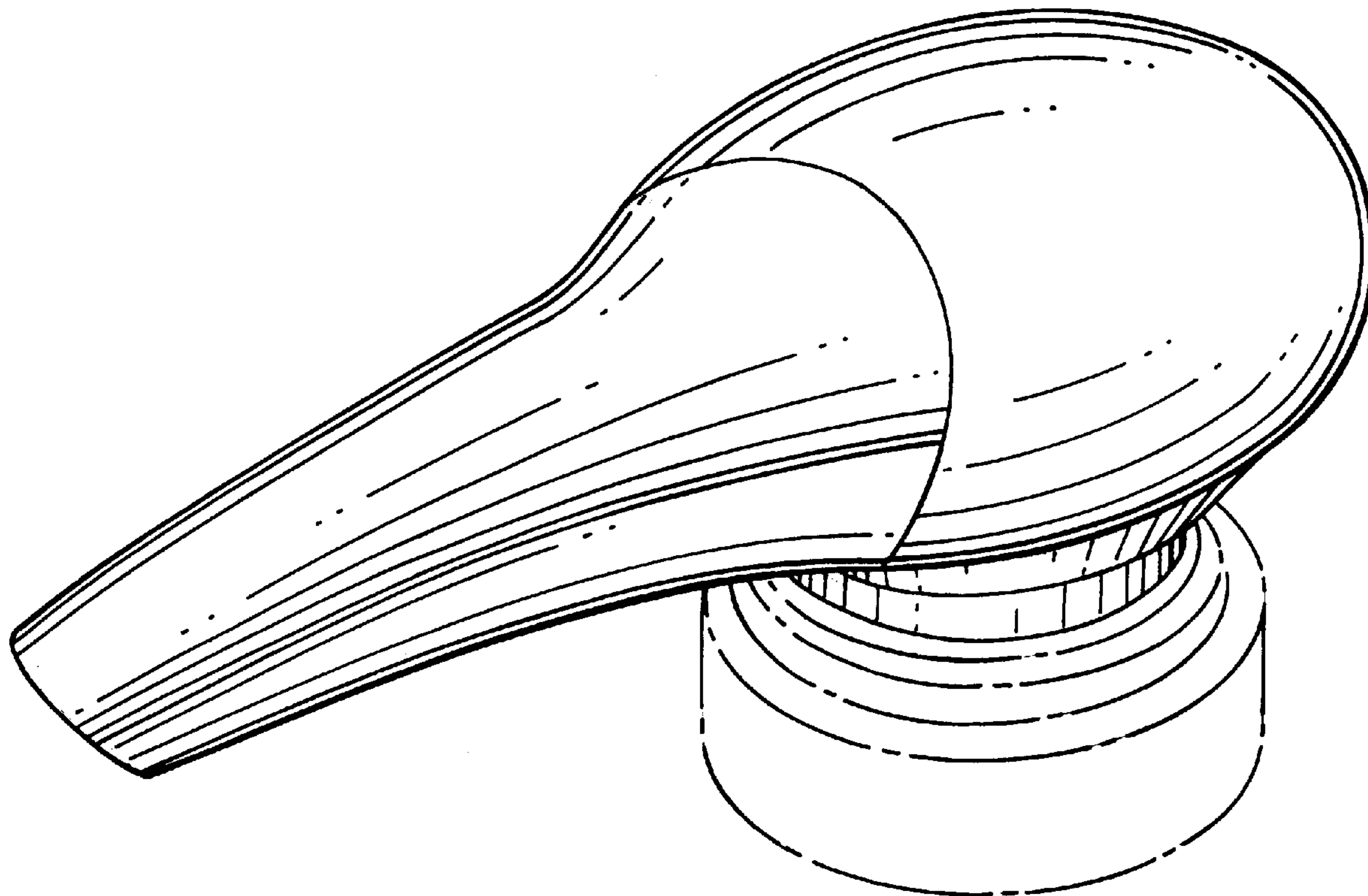


FIG. 1

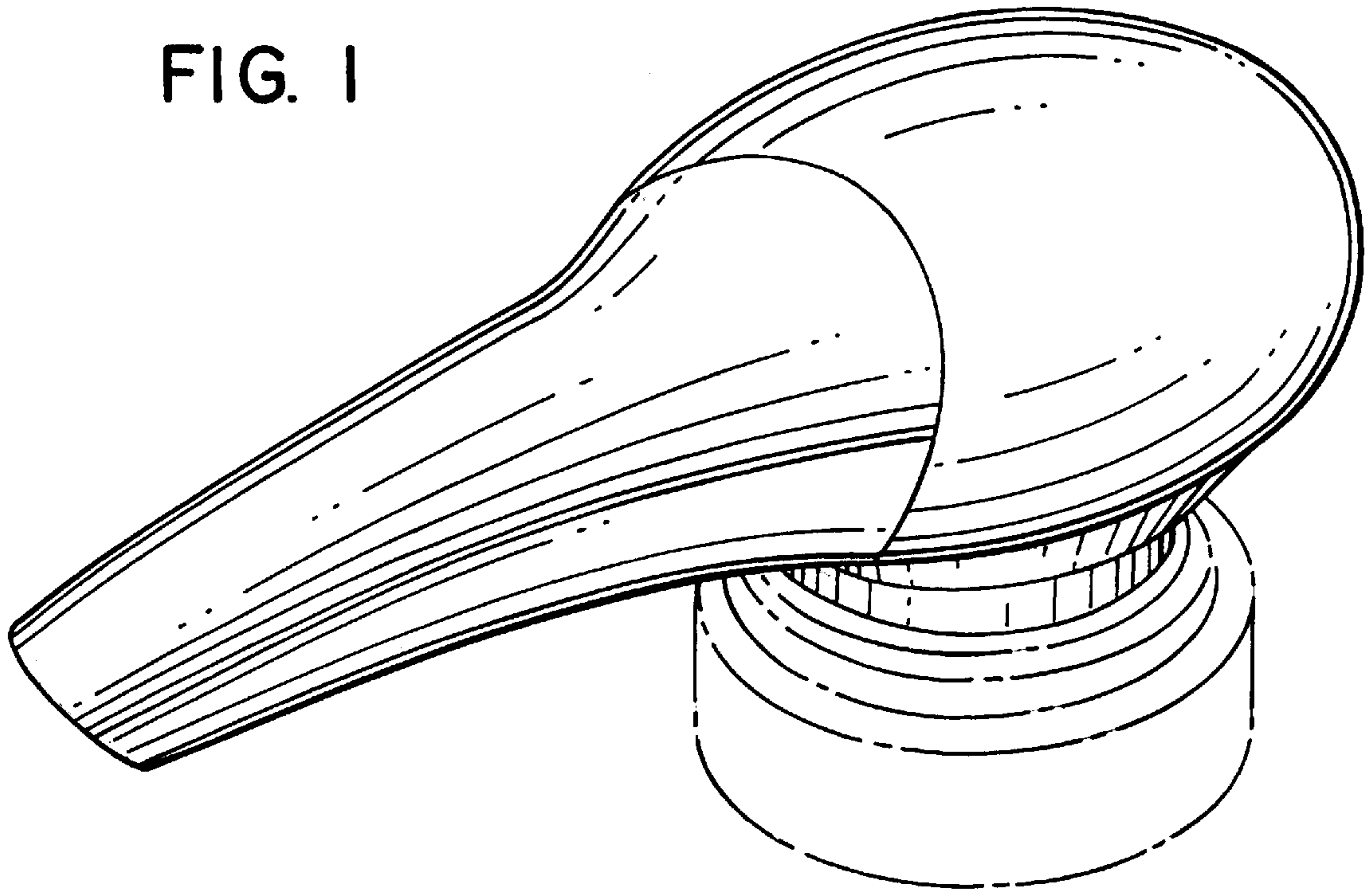
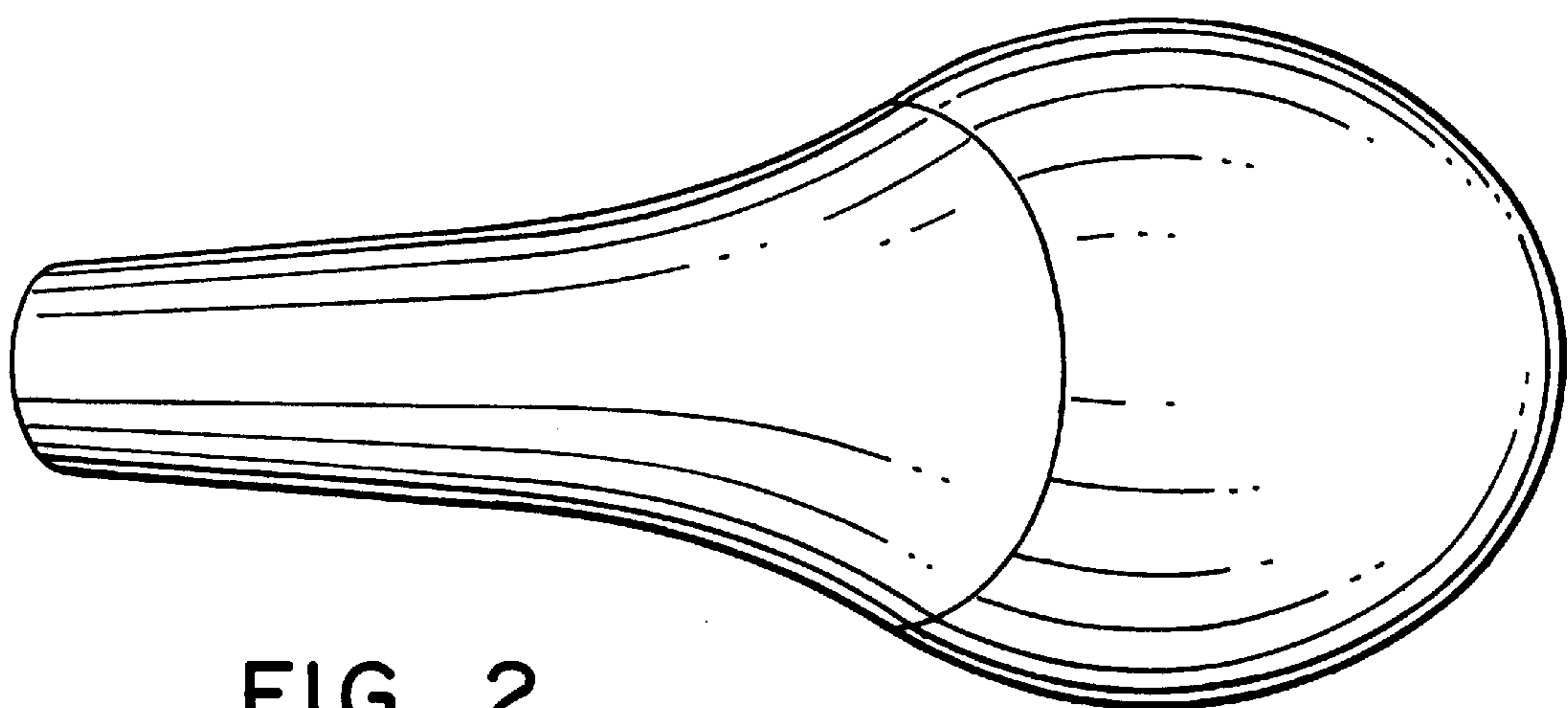


FIG. 2



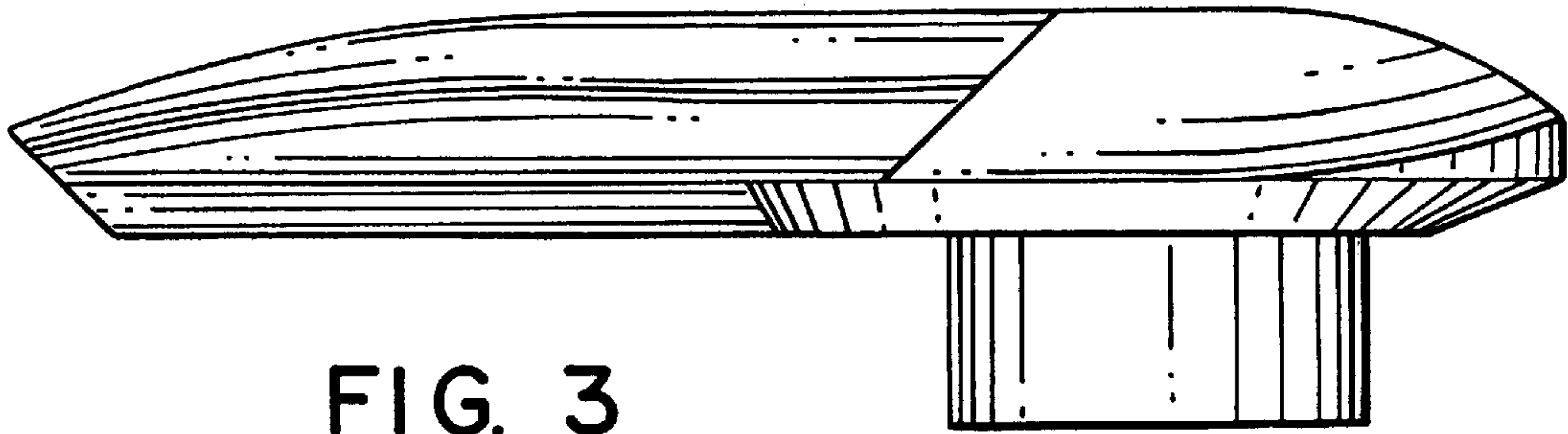


FIG. 3

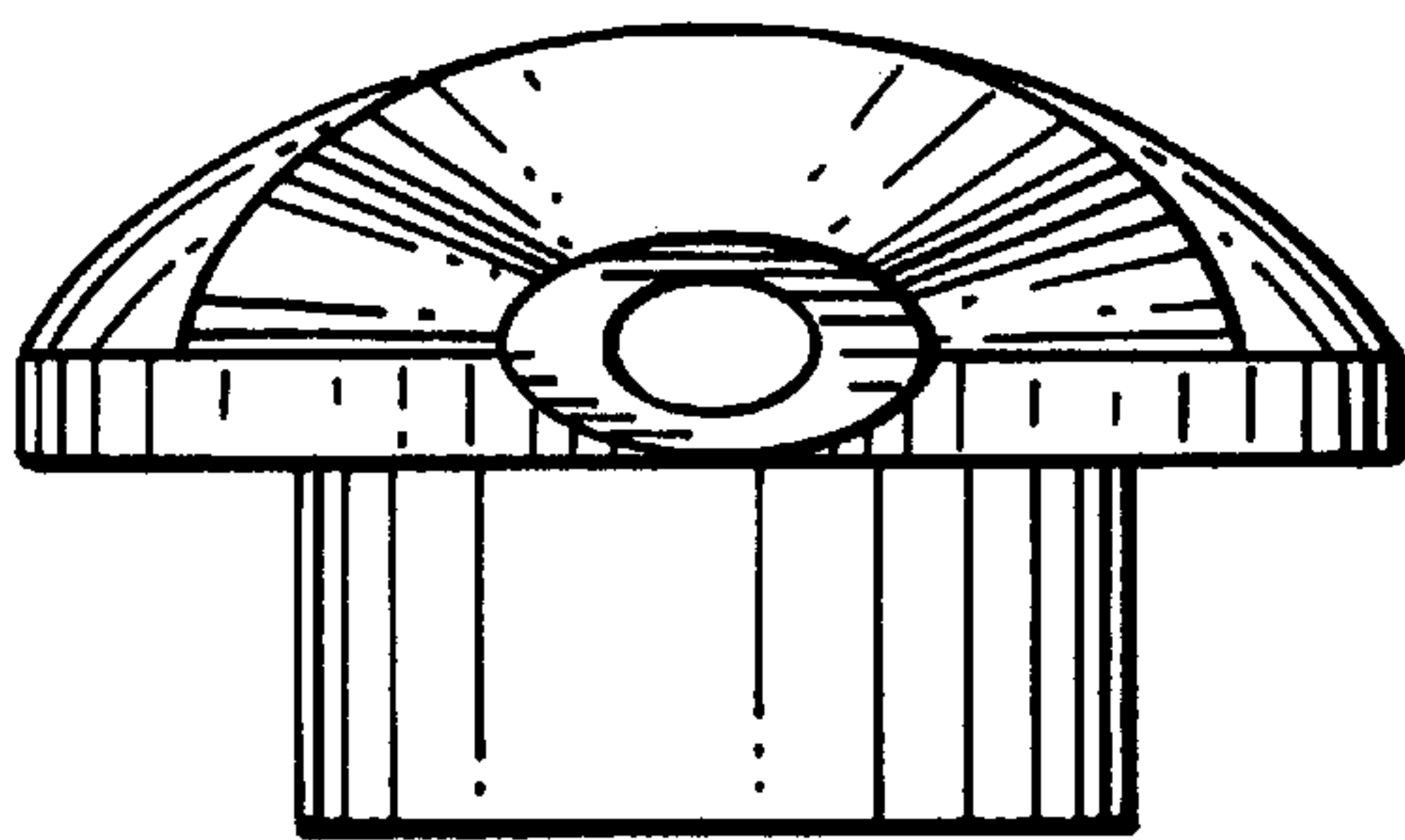


FIG. 4

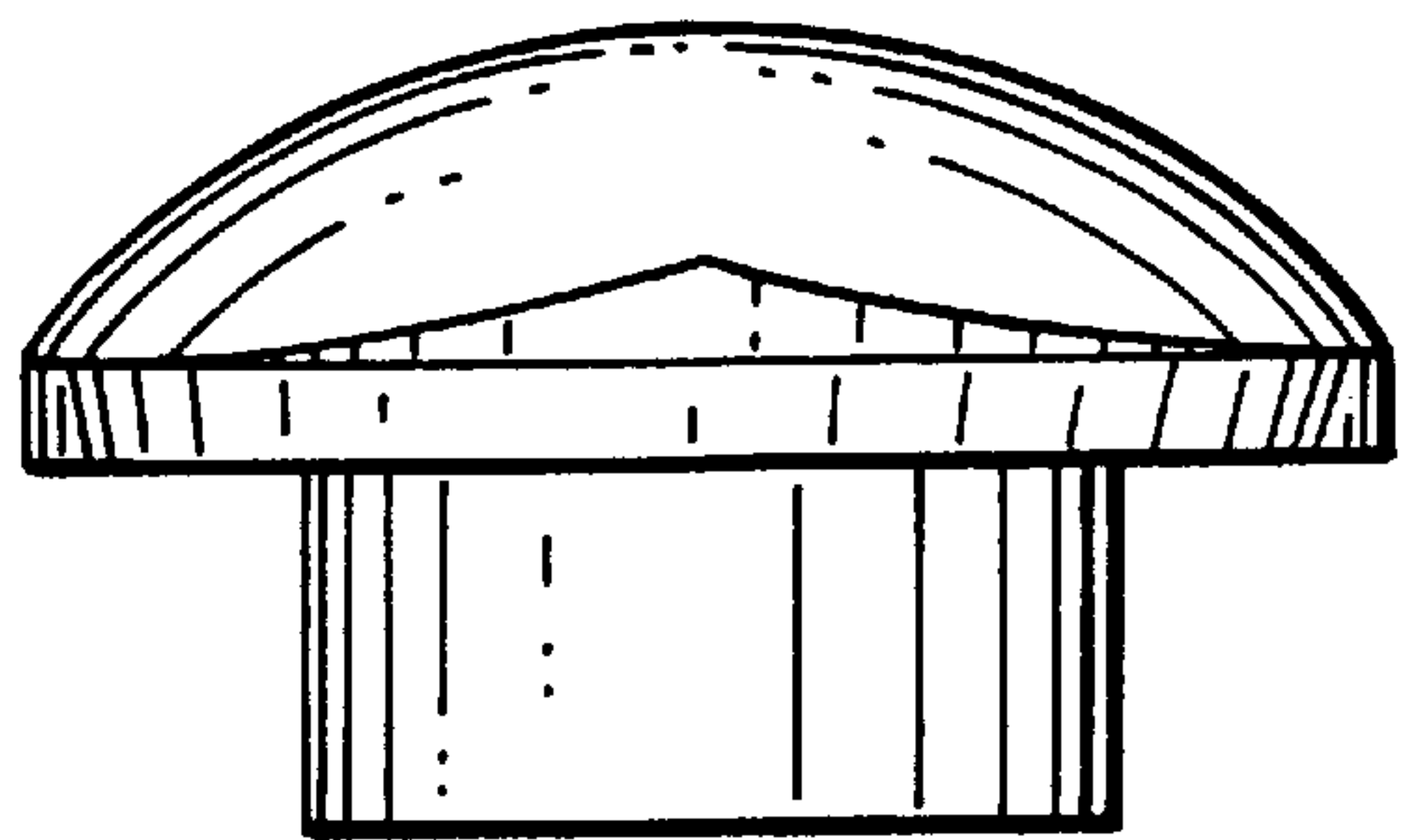


FIG. 5

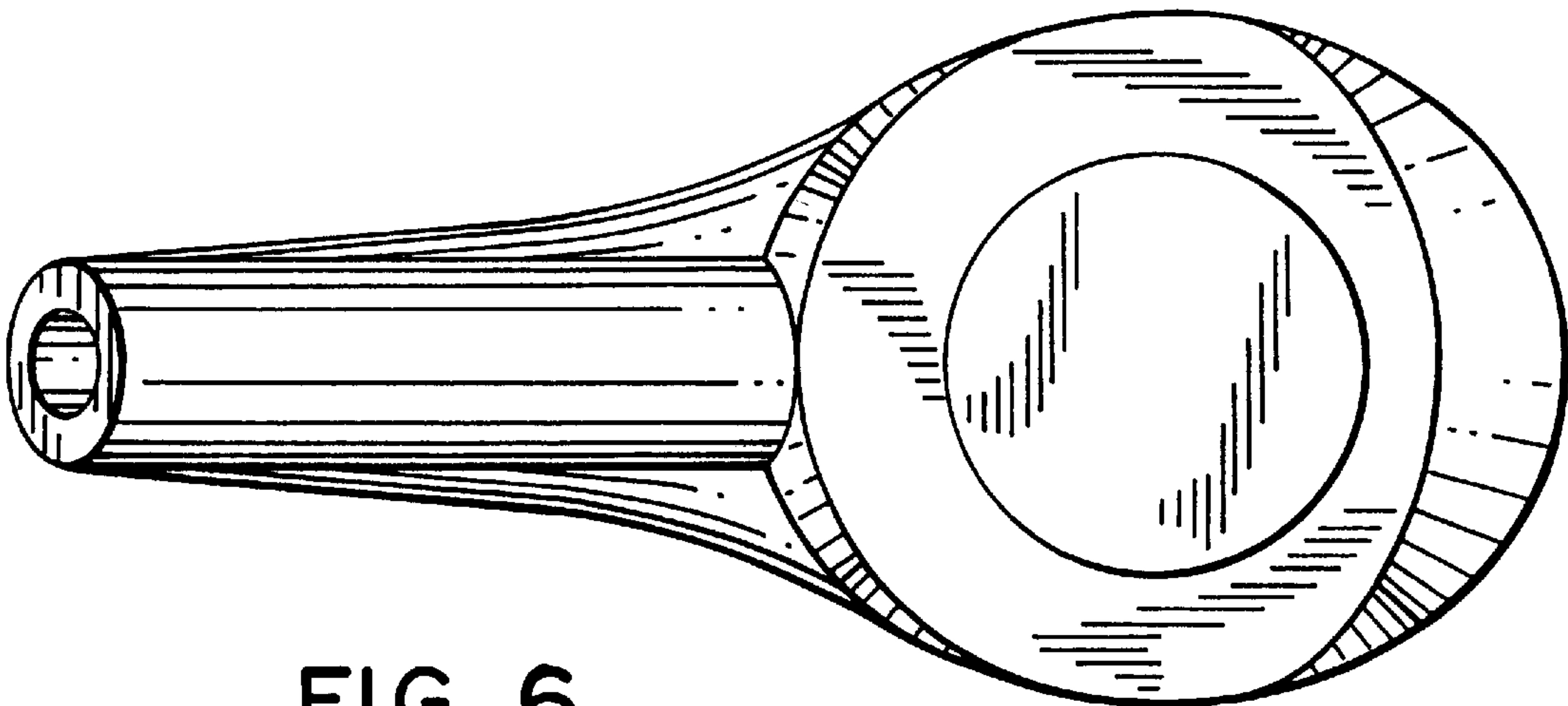


FIG. 6