



US00D415425S

United States Patent [19]

[11] Patent Number: Des. 415,425

Turner et al.

[45] Date of Patent: ** Oct. 19, 1999

[54] CAN END

[75] Inventors: Timothy Turner, Cary; Carlton Young, Westchester, both of Ill.

[73] Assignee: American National Can Company, Chicago, Ill.

[**] Term: 14 Years

[21] Appl. No.: 29/080,056

[22] Filed: Nov. 26, 1997

[51] LOC (6) Cl. 09-07

[52] U.S. Cl. D9/438

[58] Field of Search D9/416, 438, 578; 215/305; 220/269-273, 793, 906; 222/153.07

- 3,424,337 1/1969 Von Stocker .
- 3,941,277 3/1976 McKinney et al. .
- 3,967,752 7/1976 Cudzik .
- 4,015,744 4/1977 Brown .
- 4,024,981 5/1977 Brown .
- 4,061,243 12/1977 Khoury .
- 4,175,670 11/1979 Reynolds et al. .
- 4,184,607 1/1980 Potts .
- 4,205,760 6/1980 Hasegawa .
- 4,210,257 7/1980 Radtke .
- 4,211,335 7/1980 Langseder .
- 4,266,688 5/1981 Reid .
- 4,276,993 7/1981 Hasegawa .
- 4,305,523 12/1981 Dalli et al. .
- 4,361,251 11/1982 Langseder et al. .

(List continued on next page.)

[56] References Cited

U.S. PATENT DOCUMENTS

- Re. 31,702 10/1984 Brown .
- D. 244,915 7/1977 Cudzik .
- D. 263,802 4/1982 Frazee .
- D. 263,803 4/1982 Frazee .
- D. 265,463 7/1982 Hasegawa .
- D. 266,991 11/1982 Hasagawa et al. .
- D. 267,393 12/1982 Gruodis et al. .
- D. 275,373 9/1984 Brown et al. .
- D. 279,265 6/1985 Turner et al. .
- D. 302,116 7/1989 Cassai et al. .
- D. 318,225 7/1991 Cassai et al. .
- D. 319,580 9/1991 Cassai et al. .
- D. 320,153 9/1991 Cassai et al. .
- D. 327,424 6/1992 Pierce .
- D. 332,750 1/1993 Moloney et al. .
- D. 338,156 8/1993 Cook .
- D. 346,745 5/1994 Heynen et al. .
- D. 347,172 5/1994 Heynen et al. .
- D. 364,807 12/1995 Taylor .
- D. 365,988 1/1996 Clarke, III .
- D. 371,073 6/1996 Taylor .
- D. 385,192 10/1997 Hurst et al. .
- D. 387,666 12/1997 Wise D9/438
- D. 387,987 10/1997 Neiner .
- D. 392,566 3/1998 Vahjen et al. D9/503
- 3,259,265 7/1966 Stuart .
- 3,291,336 12/1966 Frazee .

FOREIGN PATENT DOCUMENTS

- 0 564 725 A1 10/1993 European Pat. Off. .
- 0 704 382 A2 4/1996 European Pat. Off. .
- 1-308744 12/1989 Japan .
- 6-24443 2/1994 Japan .

OTHER PUBLICATIONS

InterBev '94 Show, Advertising Literature, "Reynolds Develops Large-Opening Ends" Oct. 24, 1994. "Packaging Priorities", Tim Davis, *Beverage World* Dec. 1994.

Primary Examiner—Cathron B. Matta
Attorney, Agent, or Firm—Wallenstein & Wagner, Ltd.

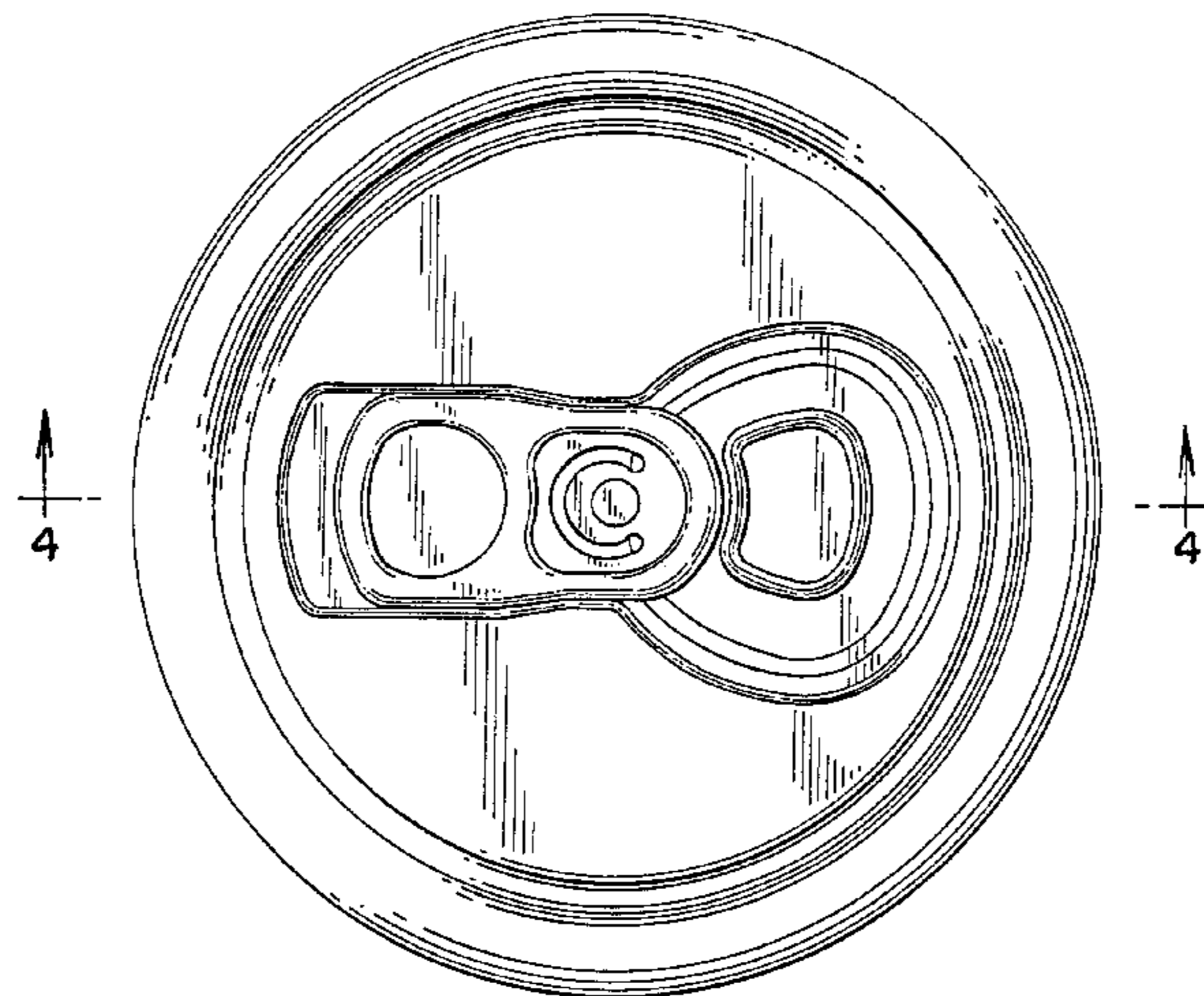
[57] CLAIM

We claim the ornamental design for a "can end", as shown and described.

DESCRIPTION

FIG. 1 is a top plan view of the can end incorporating our new design;
FIG. 2 is a side elevation thereof, the other side being the same as the side shown;
FIG. 3 is a bottom plan view thereof; and,
FIG. 4 is a sectional view taken along line 4—4 in FIG. 1, and shown at an enlarged scale.

1 Claim, 2 Drawing Sheets



U.S. PATENT DOCUMENTS

4,363,419	12/1982	Walz, Sr. .	5,011,037	4/1991	Moen et al. .	
4,387,827	6/1983	Ruemer, Jr. .	5,064,087	11/1991	Koch .	
4,465,204	8/1984	Kaminski et al. .	5,129,541	7/1992	Voigt et al. .	
4,733,793	3/1988	Moen .	5,199,591	4/1993	Thibeault et al. .	
4,749,100	6/1988	Eberhart .	5,307,947	5/1994	Moen et al. .	
4,804,104	2/1989	Moen .	5,375,729	12/1994	Schubert .	
4,872,597	10/1989	Hanafusa .	5,385,254	1/1995	Hannon .	
4,880,136	11/1989	Englert .	5,405,039	4/1995	Komura .	
4,930,654	6/1990	Thibeault et al. .	5,456,378	10/1995	DeMars .	
4,930,658	6/1990	McEldowney .	5,711,448	1/1998	Clarke, III	220/269
			5,715,964	2/1998	Turner et al.	220/269

FIG. 1

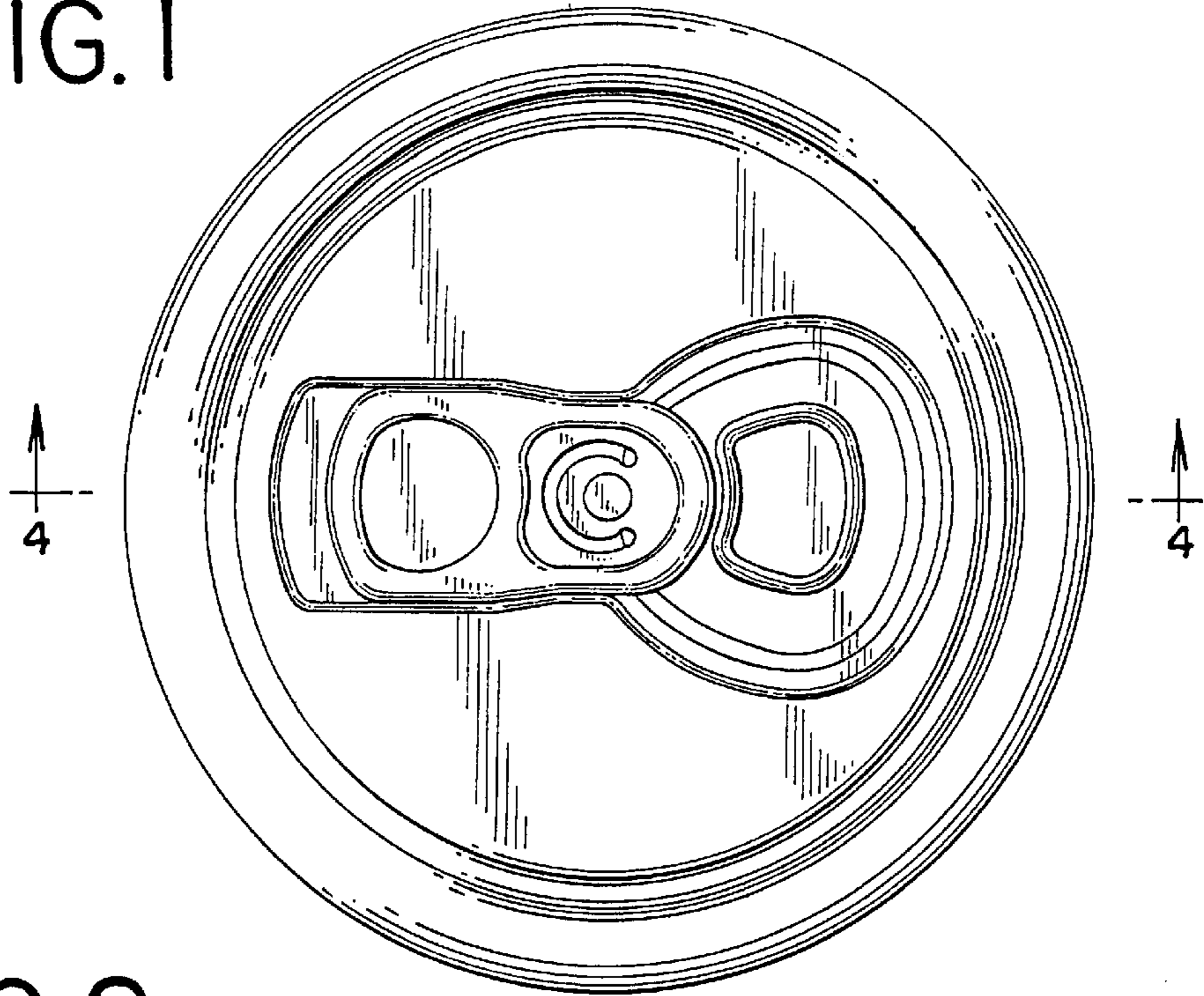


FIG. 2

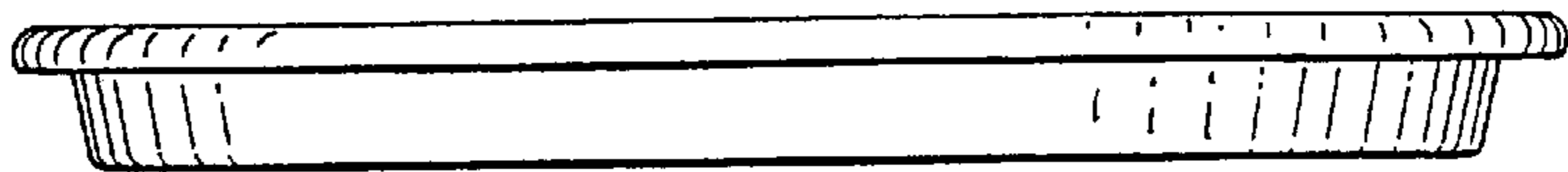


FIG. 3

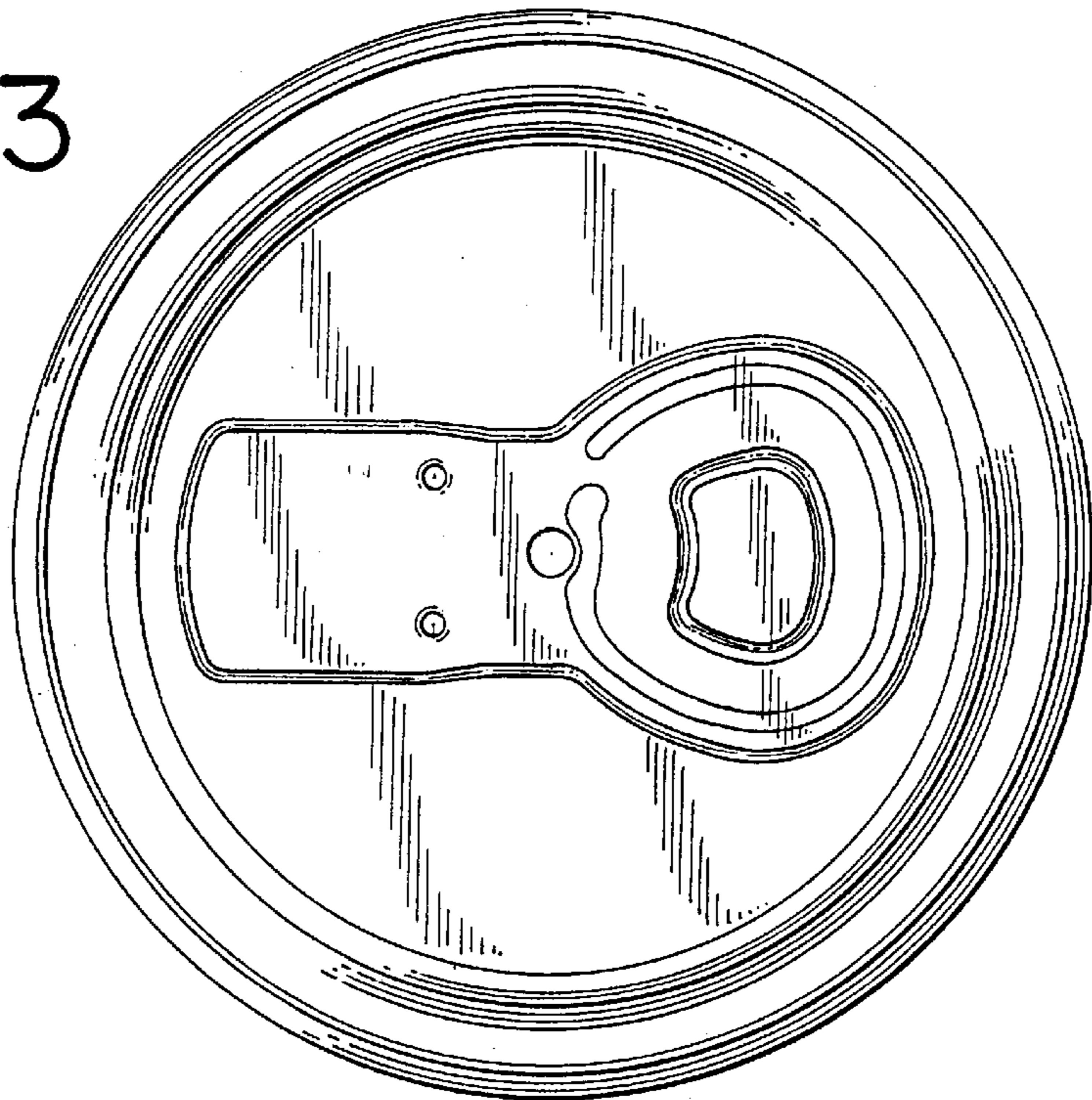


FIG. 4

