



US00D415420S

# United States Patent [19] Chen

[11] Patent Number: **Des. 415,420**

[45] Date of Patent: **\*\* Oct. 19, 1999**

[54] **DOUBLE SEALED RIM STACKABLE CONTAINER**

3,720,365 3/1973 Unger ..... 229/406  
3,955,710 5/1976 Comisso ..... 229/406 X  
5,220,999 6/1993 Goulette ..... 229/406 X

[75] Inventor: **Jeffrey Chen**, Staten Island, N.Y.

### OTHER PUBLICATIONS

[73] Assignee: **Newspring Industrial Corporation**, E. Newark, N.J.

Modern Packaging, p. 318, 1967.  
Ultra Fresh Containers, p. 10, Mar. 1995.  
Tenneco Packaging, p. 20, 1996.

[\*\*] Term: **14 Years**

*Primary Examiner*—Prabhakar Deshmukh  
*Attorney, Agent, or Firm*—Gibbons, Del Deo, Dolan, Griffinger & Vecchione

[21] Appl. No.: **29/066,299**

[22] Filed: **Feb. 11, 1997**

[51] **LOC (6) Cl.** ..... **09-07**

[52] **U.S. Cl.** ..... **D9/428; D7/629**

[58] **Field of Search** ..... D9/428, 429, 431,  
D9/425, 424; 206/541, 508; 229/4.5, 406,  
938; 220/4.21, 4.2, 4.23, 4.24, 4.25; D7/629;  
D28/82

### [57] CLAIM

The ornamental design for a double sealed rim stackable container, as shown and described.

### DESCRIPTION

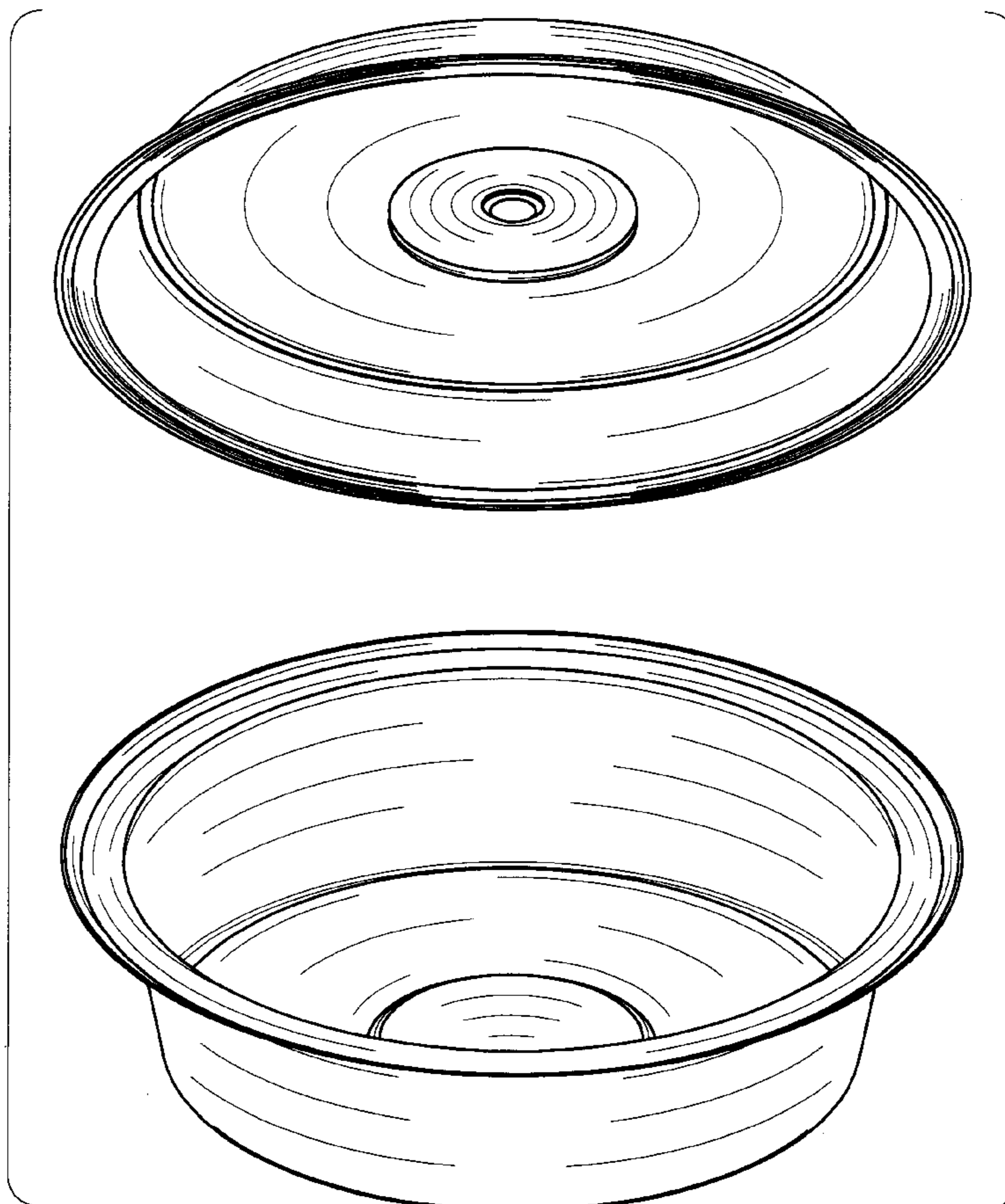
FIG. 1 is a perspective view of a double sealed rim stackable container according to the present invention including a container bottom and lid;  
FIG. 2 is a side view of a container with lid thereof;  
FIG. 3 is a top plan view of a lid thereof;  
FIG. 4 is a top plan view of a container bottom thereof;  
FIG. 5 is a side view of a lid thereof; and,  
FIG. 6 is a side view of a container bottom thereof.

### [56] References Cited

#### U.S. PATENT DOCUMENTS

D. 335,085 4/1993 Wacker ..... D9/428 X  
D. 357,552 4/1995 Carranza ..... D28/82  
D. 372,862 8/1996 Flori ..... D9/428  
D. 373,954 9/1996 Wolff ..... D9/429  
D. 375,261 11/1996 Flori ..... D9/428  
D. 380,124 6/1997 Kato et al. .... D7/629 X

**1 Claim, 5 Drawing Sheets**



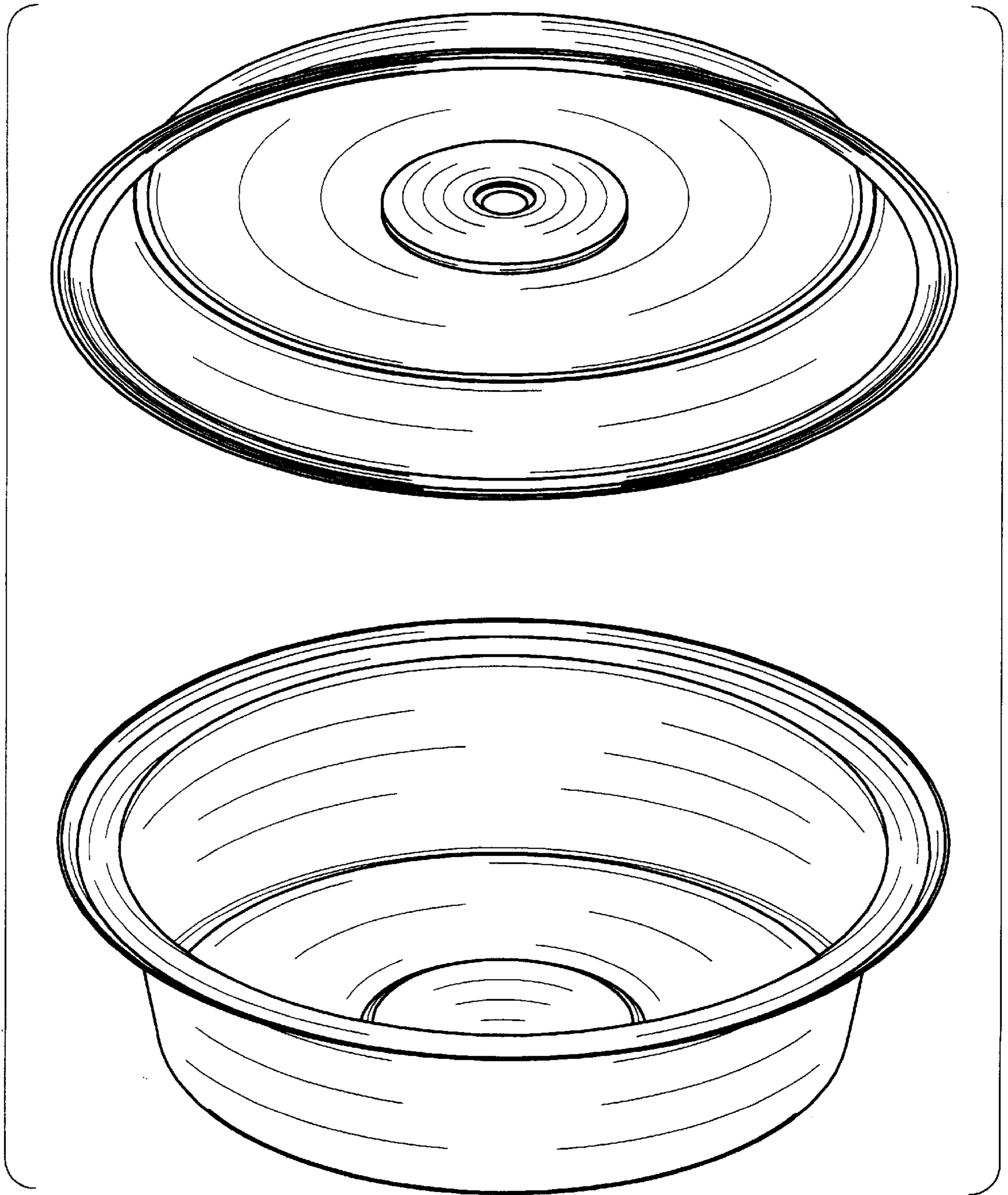


Fig. 1

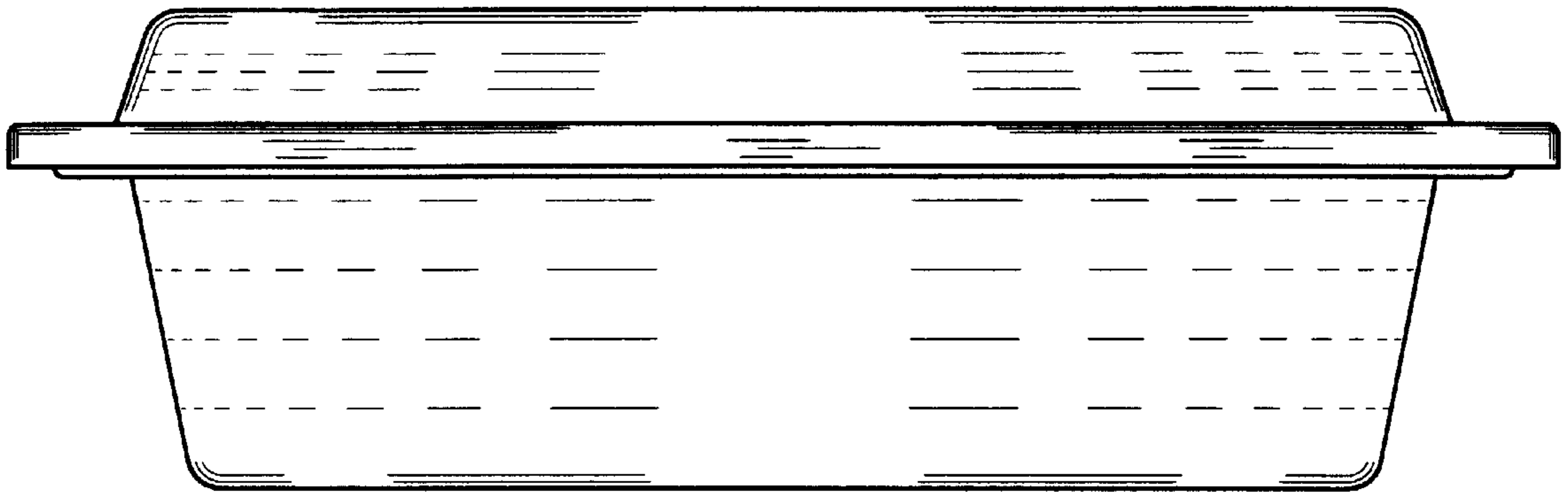


Fig. 2



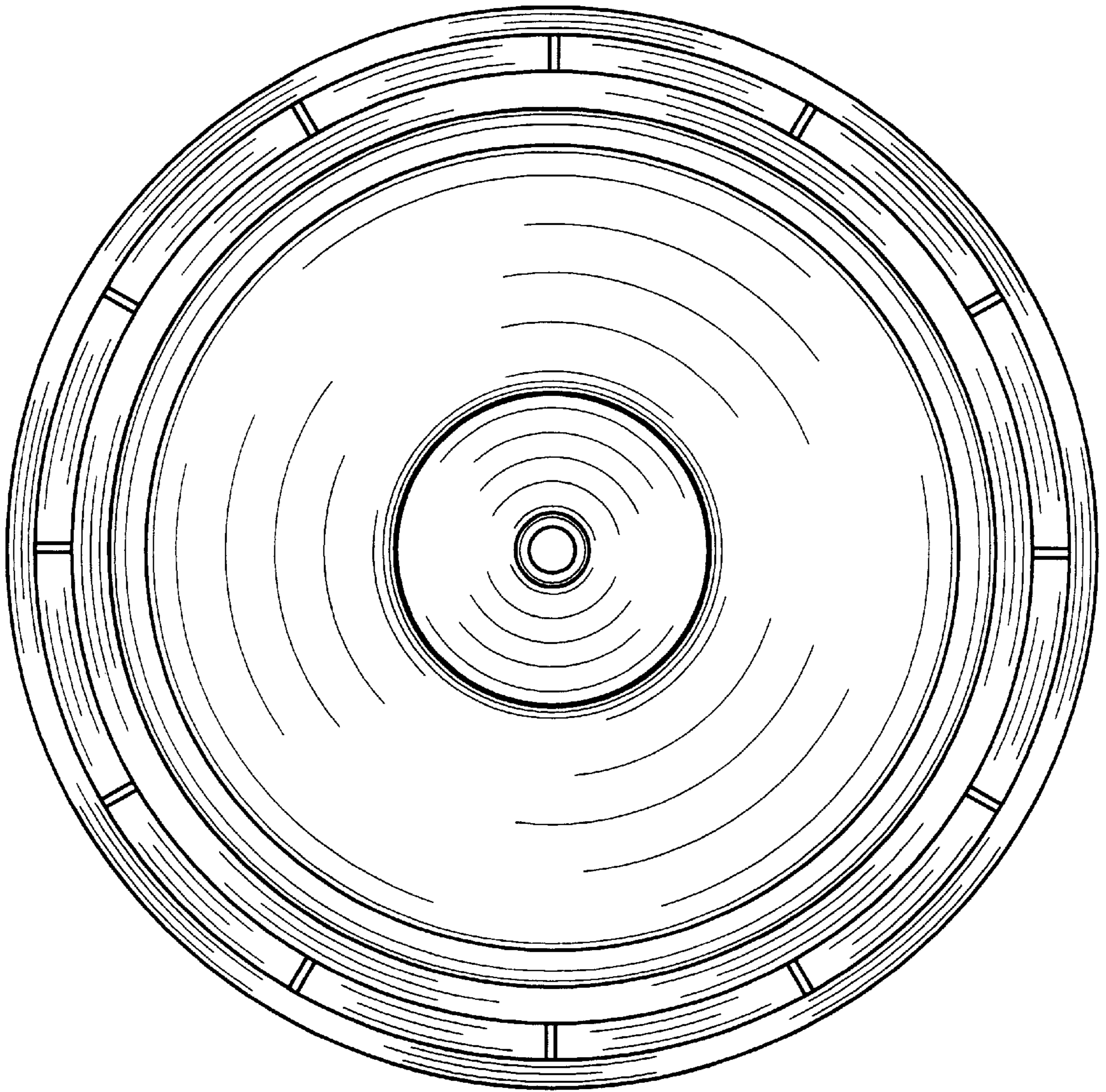


Fig. 3

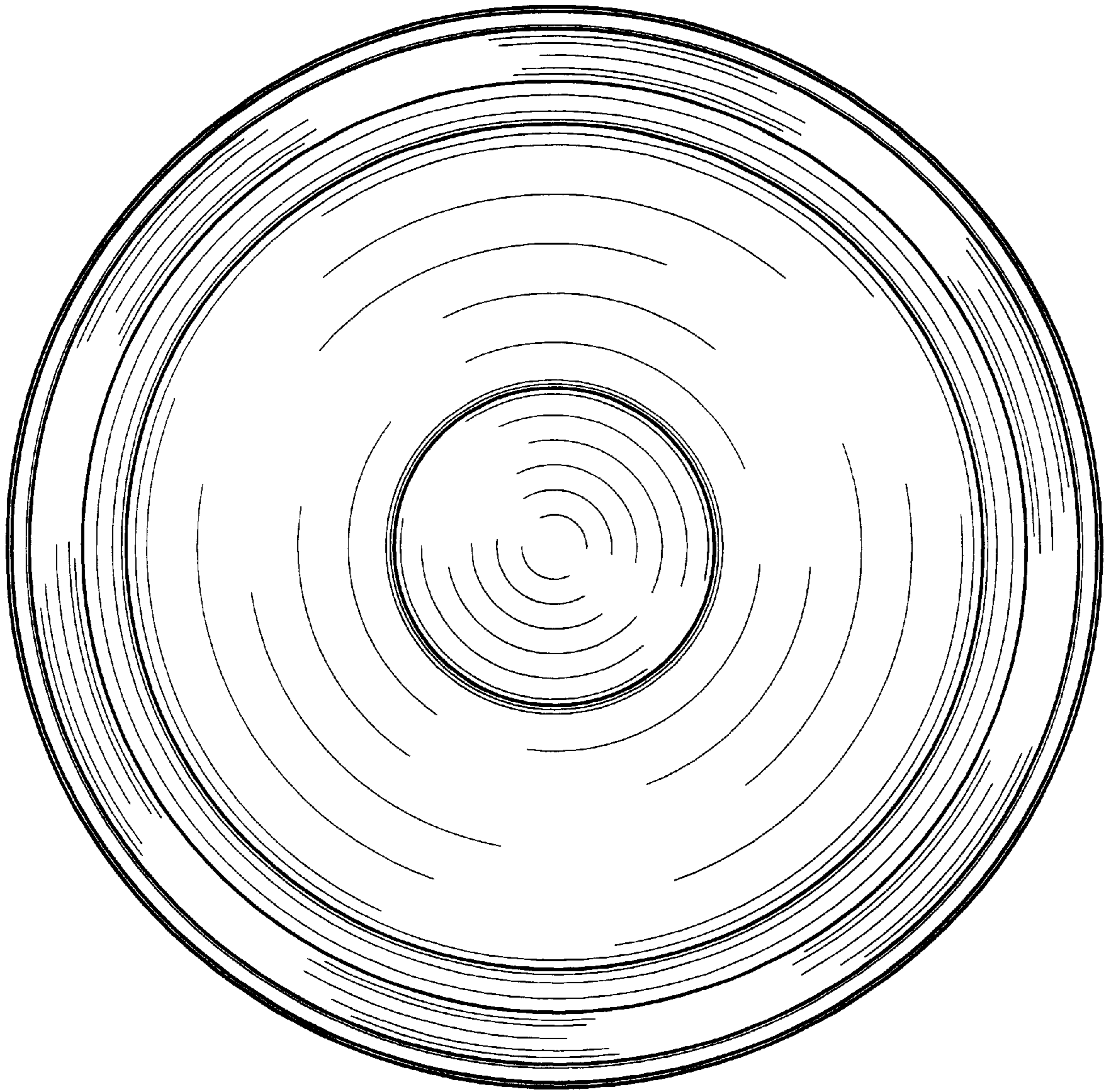


Fig. 4

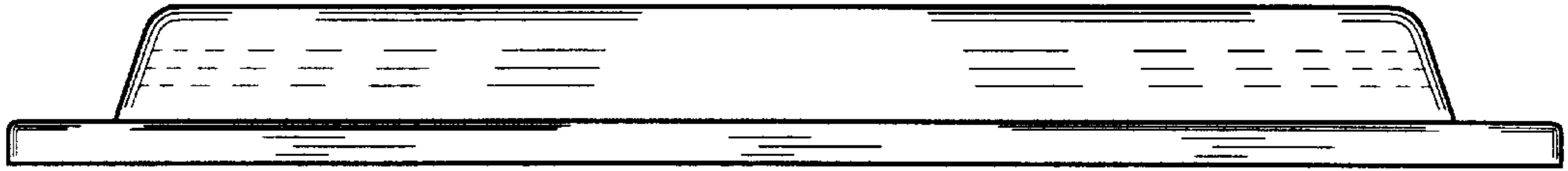


Fig. 5

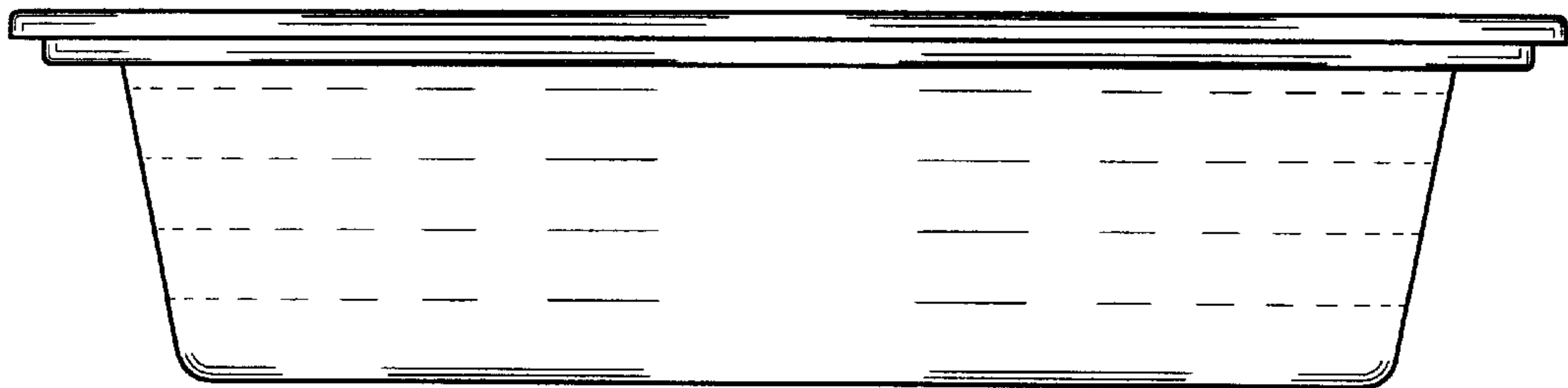


Fig. 6