



US00D415419S

# United States Patent [19] Abiteboul

[11] Patent Number: **Des. 415,419**

[45] Date of Patent: **\*\* Oct. 19, 1999**

[54] **CARD AND GIFT BOX**

[76] Inventor: **Juliette Abiteboul**, 59 boulevard des Invalides, 75007 Paris, France

[\*\*] Term: **14 Years**

[21] Appl. No.: **29/075,719**

[22] Filed: **Jul. 28, 1997**

### [30] Foreign Application Priority Data

Jan. 31, 1997 [FR] France ..... 97 563

[51] **LOC (6) Cl.** ..... **09-07**

[52] **U.S. Cl.** ..... **D9/423; D9/432**

[58] **Field of Search** ..... D9/420-424, 432, D9/414, 337; 206/232, 45.28, 774, 759, 457; 220/254; 209/922, 923, 116.1, 116.5; 40/313

### [56] References Cited

#### U.S. PATENT DOCUMENTS

- D. 327,004 6/1992 Nadel ..... D9/432
- D. 339,063 9/1993 Simon ..... D9/432 X
- D. 351,104 10/1994 Kapp ..... D9/423
- D. 390,108 2/1998 Ladis et al. .... D9/423 X
- 1,397,734 11/1921 Hoelscher ..... 40/313

- 5,096,058 3/1992 Juravin et al. .... 206/232
- 5,277,307 1/1994 Kelly ..... 206/232 X
- 5,458,235 10/1995 Stone ..... 206/232
- 5,497,876 3/1996 Fleming ..... 206/232
- 5,682,999 11/1997 Larson ..... 206/768

### OTHER PUBLICATIONS

Packaging Cat, p. 221, Item #739, 1959.

*Primary Examiner*—Prabhakar Deshmukh  
*Attorney, Agent, or Firm*—Abelman, Frayne & Schwab

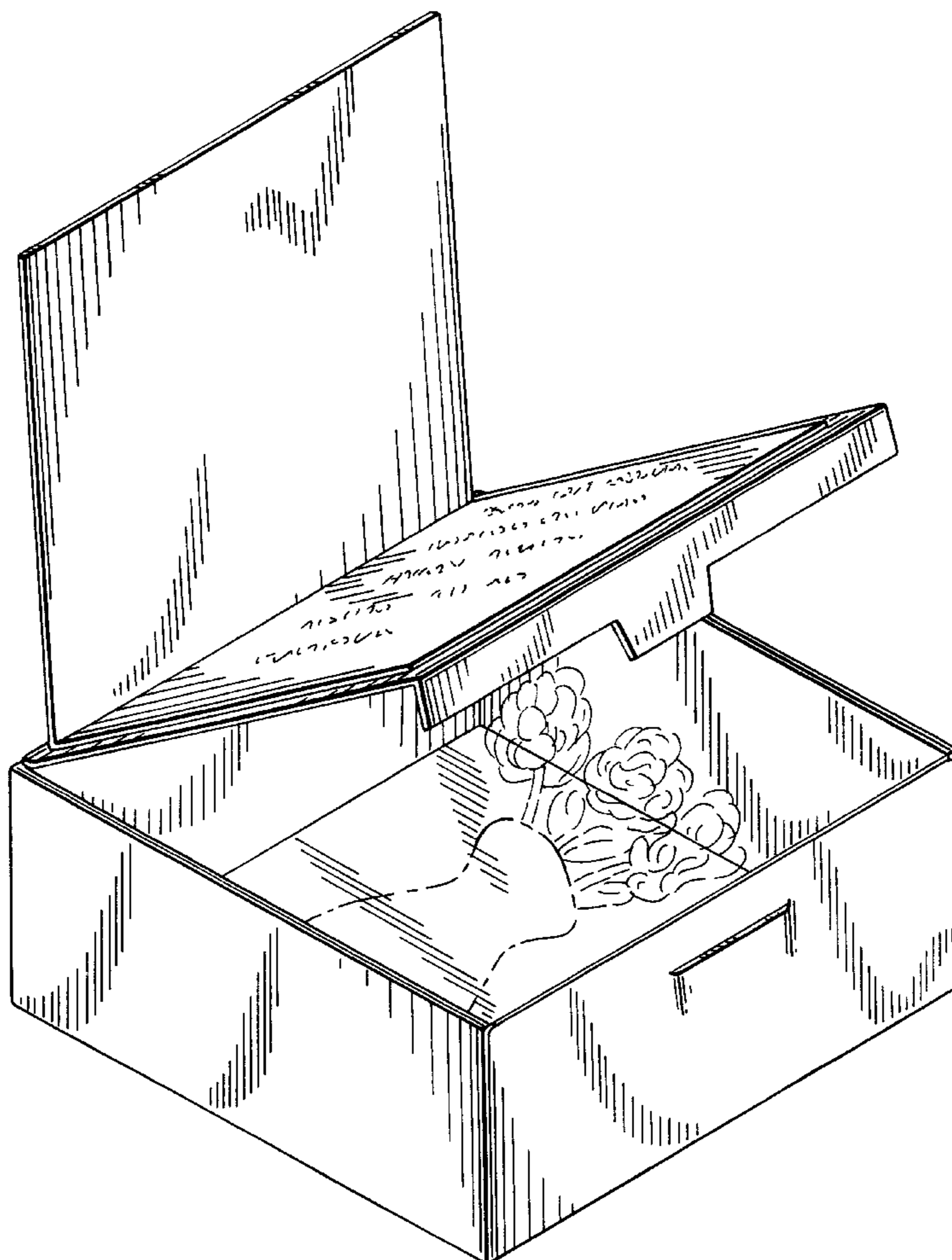
### [57] CLAIM

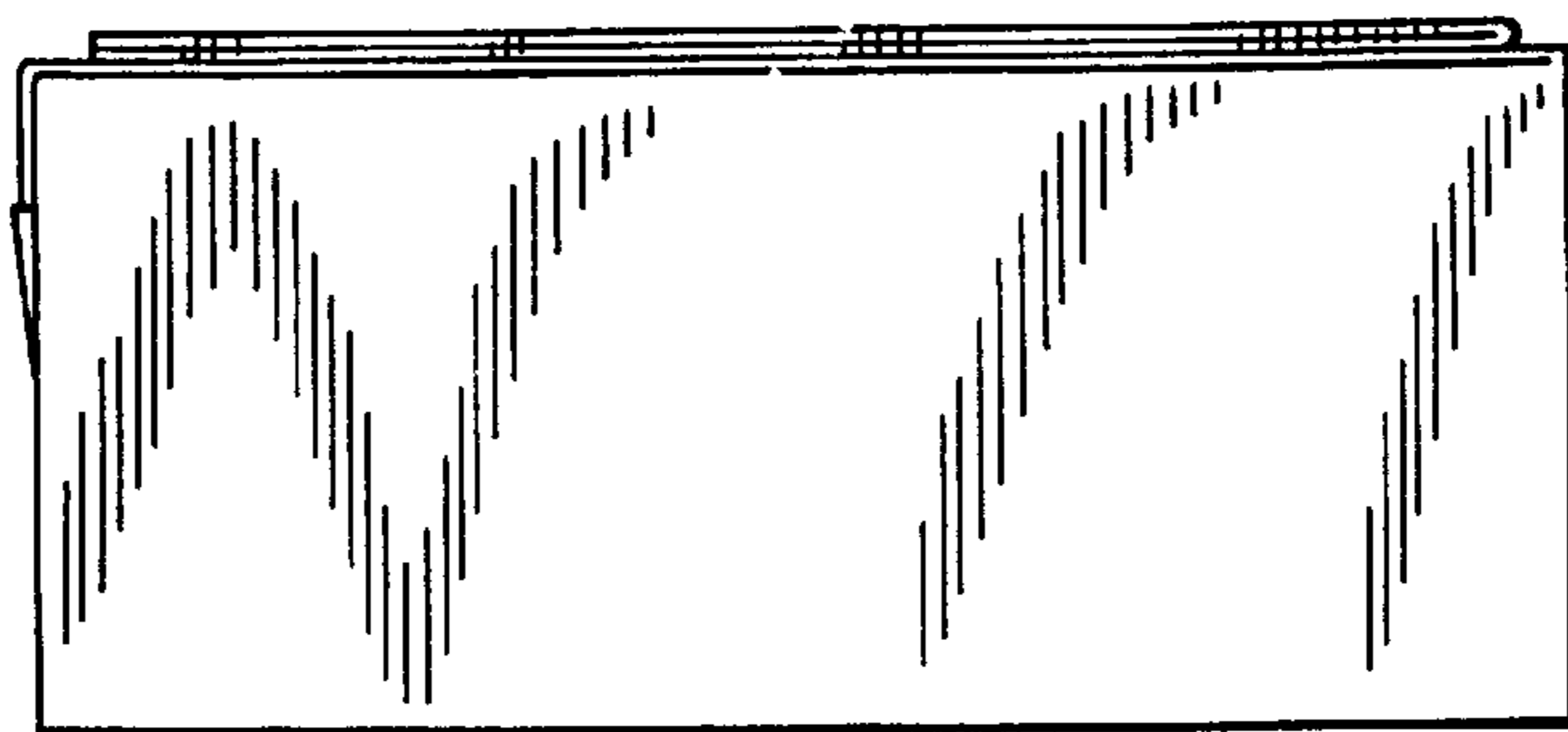
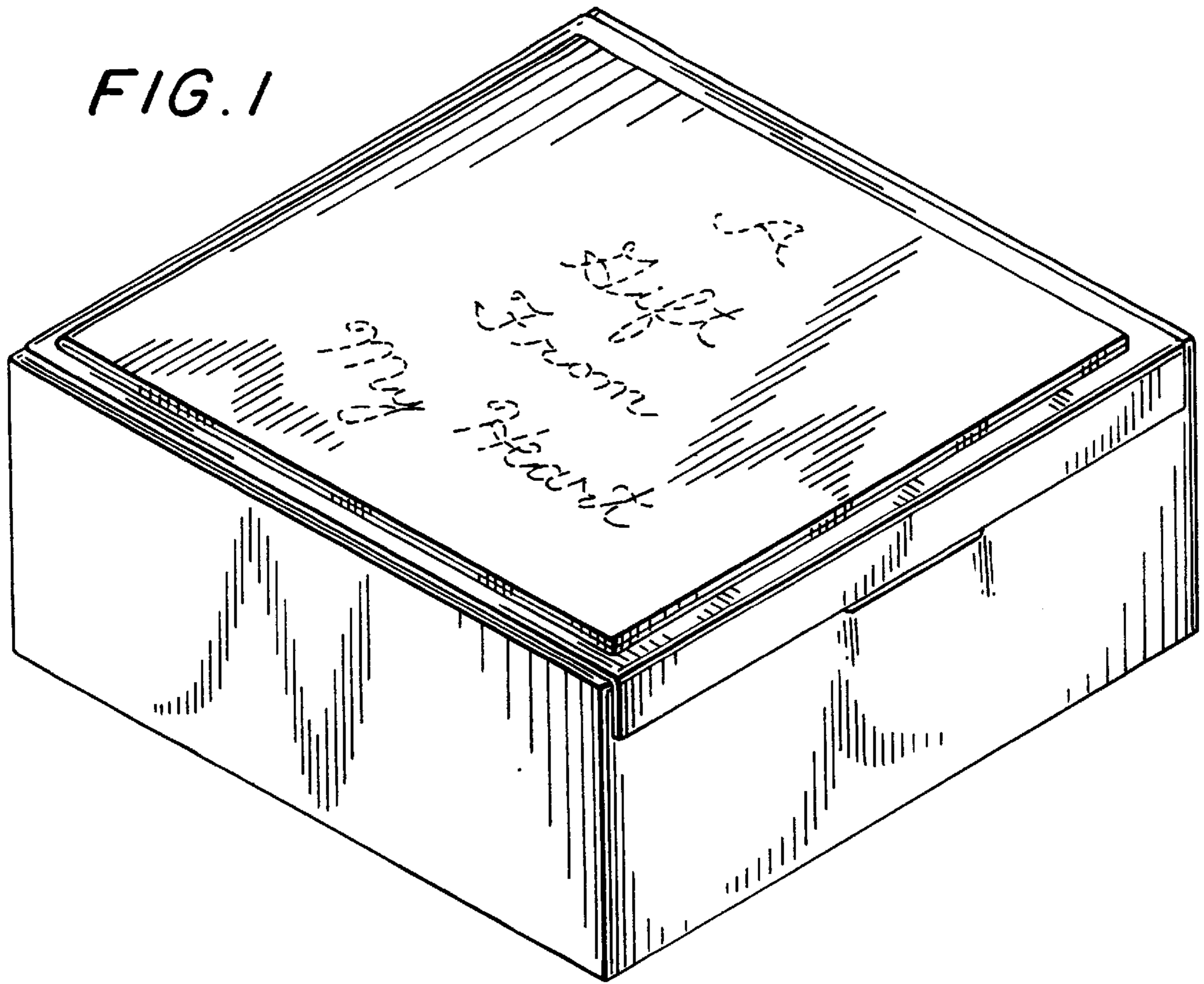
The ornamental design for a card and gift box, as shown and described.

### DESCRIPTION

FIG. 1 is a perspective top, front, right view looking down towards the top;  
FIG. 2 is a rear view thereof, the front being a mirror image;  
FIG. 3 is a left side view thereof;  
FIG. 4 is a bottom view thereof; and,  
FIG. 5 is a perspective view thereof; shown in an open condition; the broken line showing the contents is for illustrative purpose only and forms no part of the claimed design.

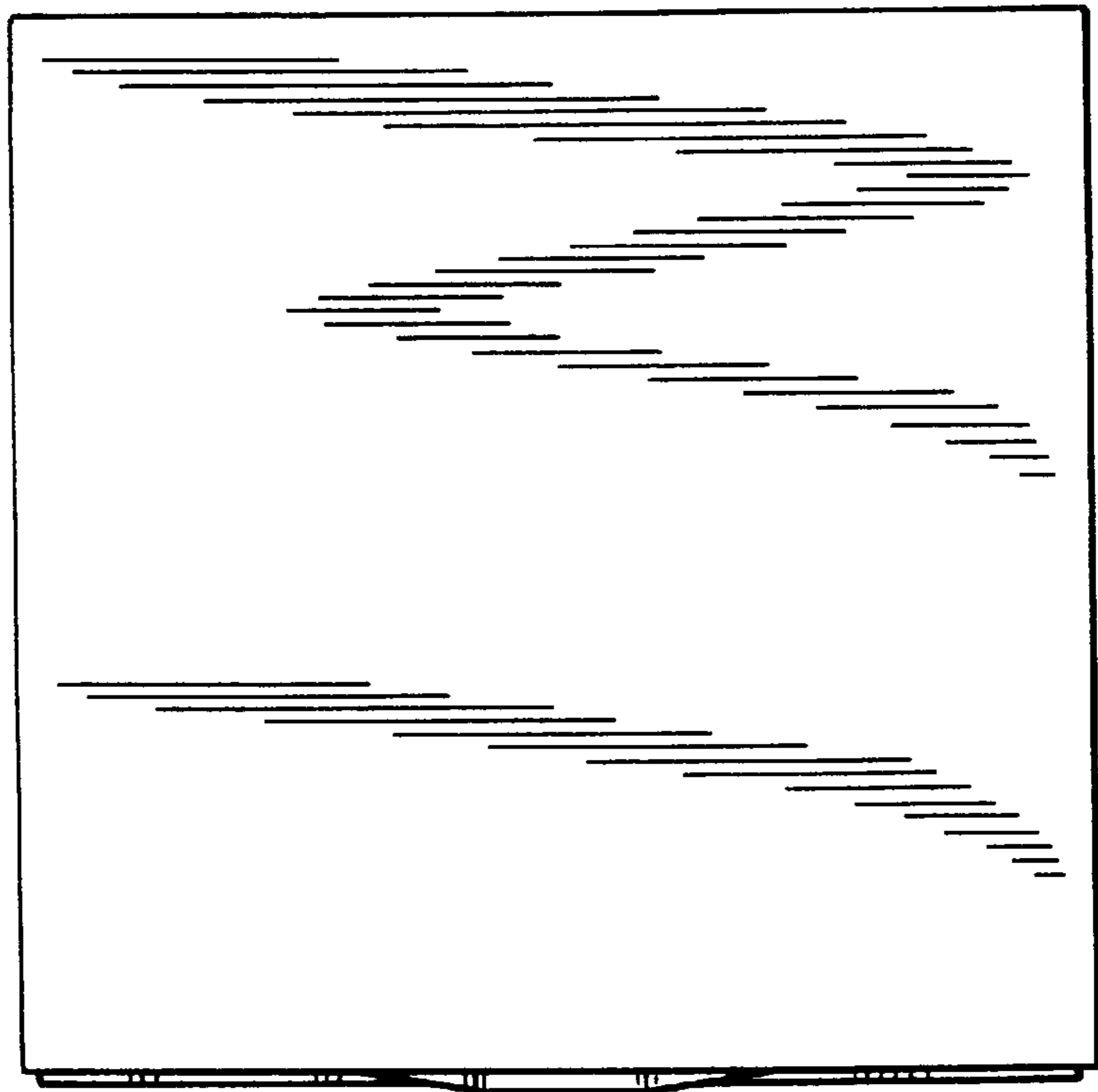
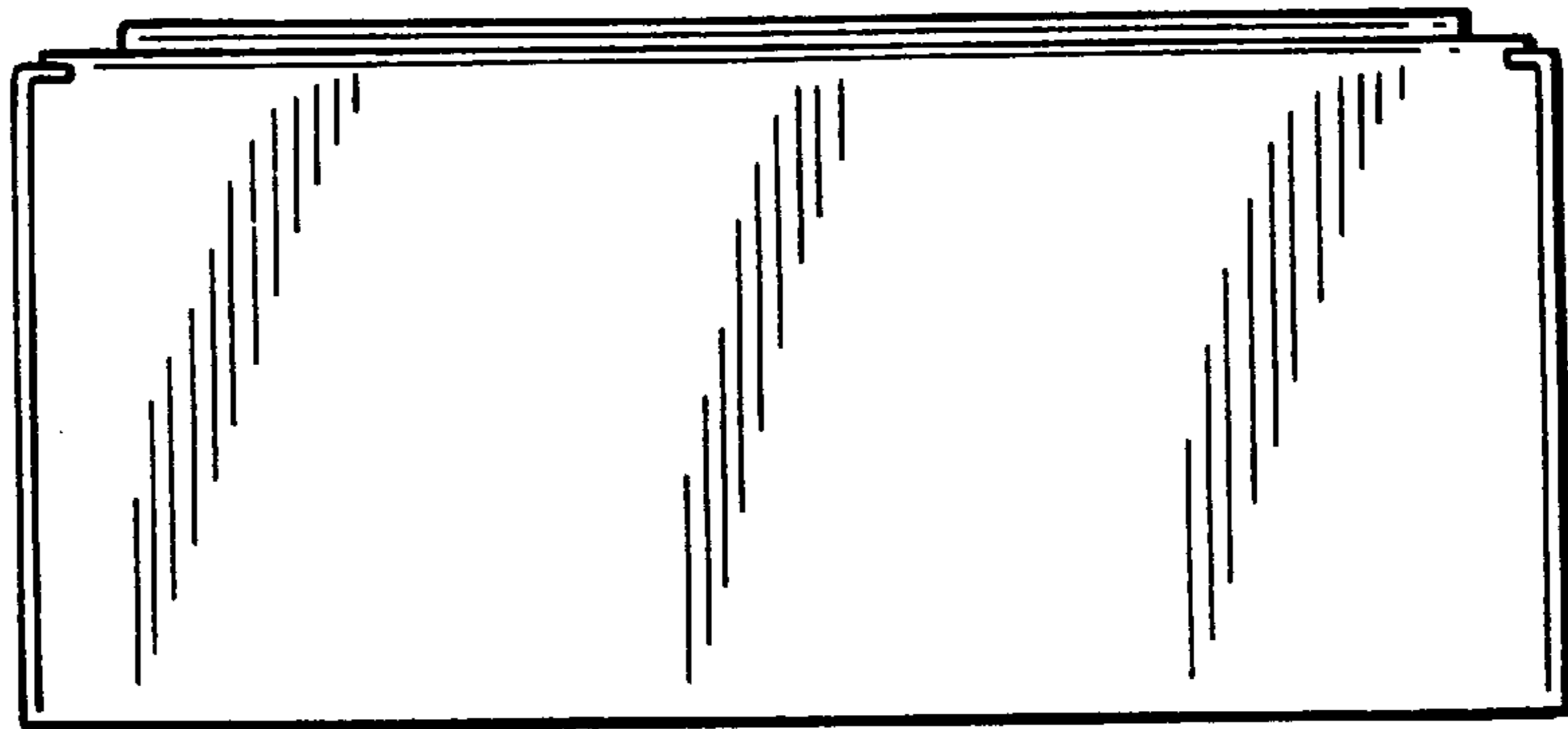
**1 Claim, 3 Drawing Sheets**





*FIG. 2*

*FIG. 3*



*FIG. 4*

FIG. 5

