



US00D415415S

United States Patent [19]
Robertson

[11] **Patent Number: Des. 415,415**

[45] **Date of Patent: ** Oct. 19, 1999**

[54] **COMBINED SPRINKLER NOZZLE CARRIER AND DISPLAY UNIT**

3,968,914 7/1976 Goncalves 294/87.2 X
5,018,620 5/1991 Marco et al. 206/150
5,535,879 7/1996 Appleton 206/150

[75] Inventor: **David E. Robertson**, Glendora, Calif.

Primary Examiner—Nanda Bondade
Attorney, Agent, or Firm—Kelly Bauersfeld Lowry & Kelley, LLP.

[73] Assignee: **Anthony Manufacturing Corp.**, Azusa, Calif.

[**] Term: **14 Years**

[57] **CLAIM**

[21] Appl. No.: **29/089,433**

The ornamental design for a combined sprinkler nozzle carrier and display unit, as shown.

[22] Filed: **Jun. 15, 1998**

DESCRIPTION

[51] **LOC (6) Cl.** **09-03**

[52] **U.S. Cl.** **D9/344**

[58] **Field of Search** D9/344, 345, 346;
206/150, 151, 159, 160, 161, 199; 294/87.2

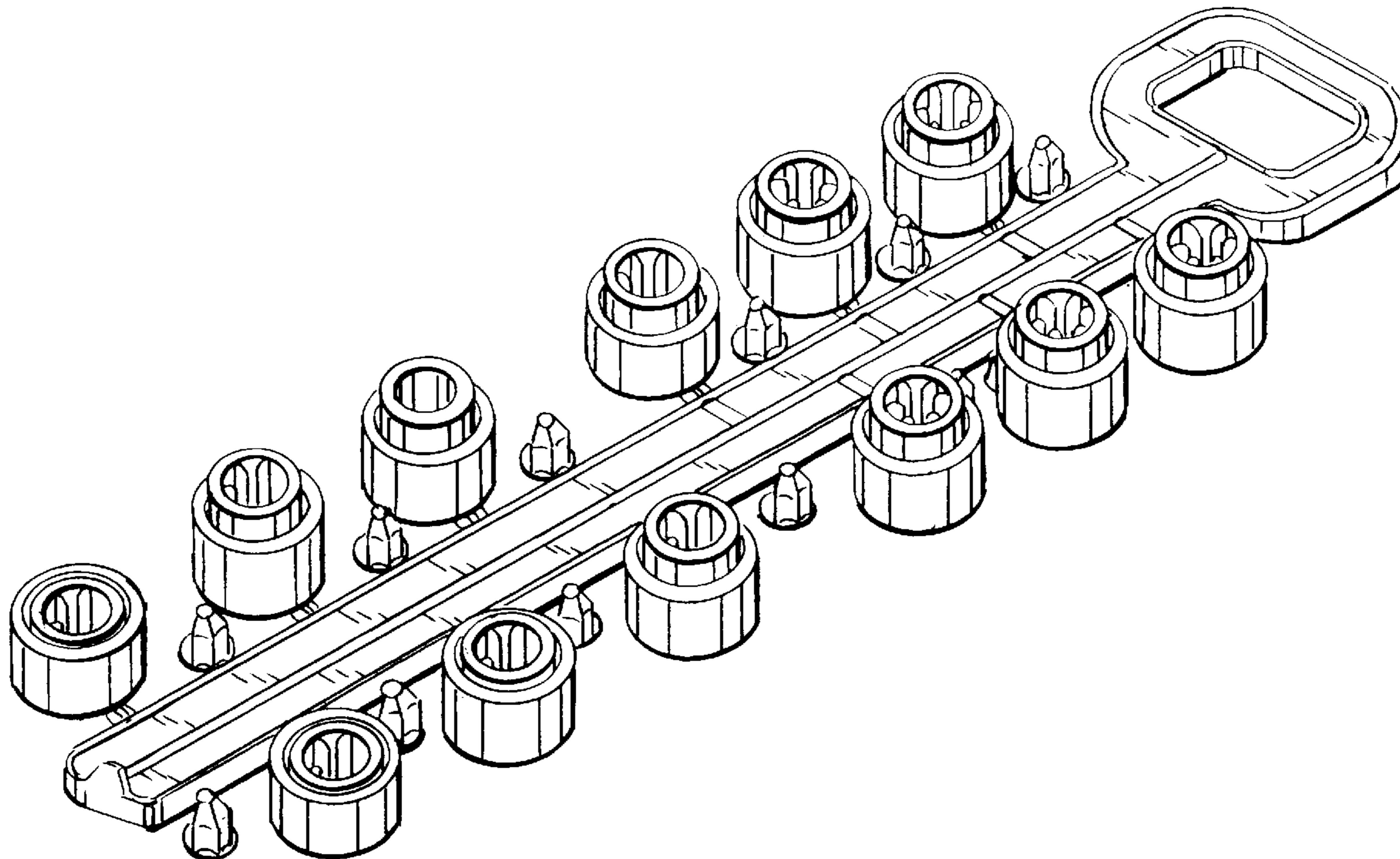
FIG. 1 is a top perspective view of a combined sprinkler nozzle carrier and display unit embodying the new design; FIG. 2 is a top plan view thereof; FIG. 3 is a bottom plan view thereof; FIG. 4 is a left side elevational view thereof; FIG. 5 is a right side elevational view thereof; FIG. 6 is a rear elevational view thereof; and, FIG. 7 is a front elevational view thereof.

[56] **References Cited**

U.S. PATENT DOCUMENTS

D. 310,482 9/1990 Smith D9/344 X
3,778,096 12/1973 Smith 294/87.2

1 Claim, 3 Drawing Sheets



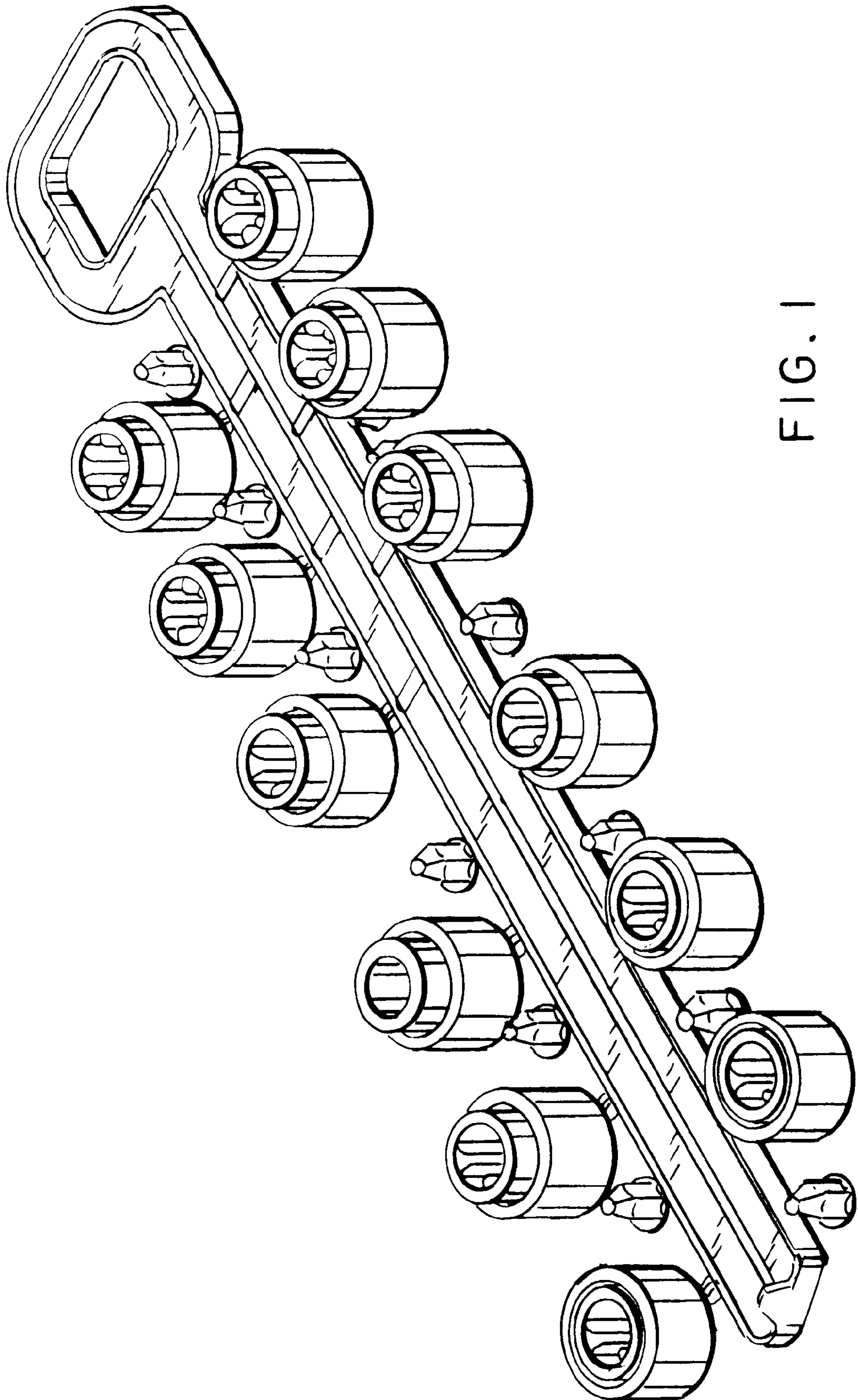


FIG. 1

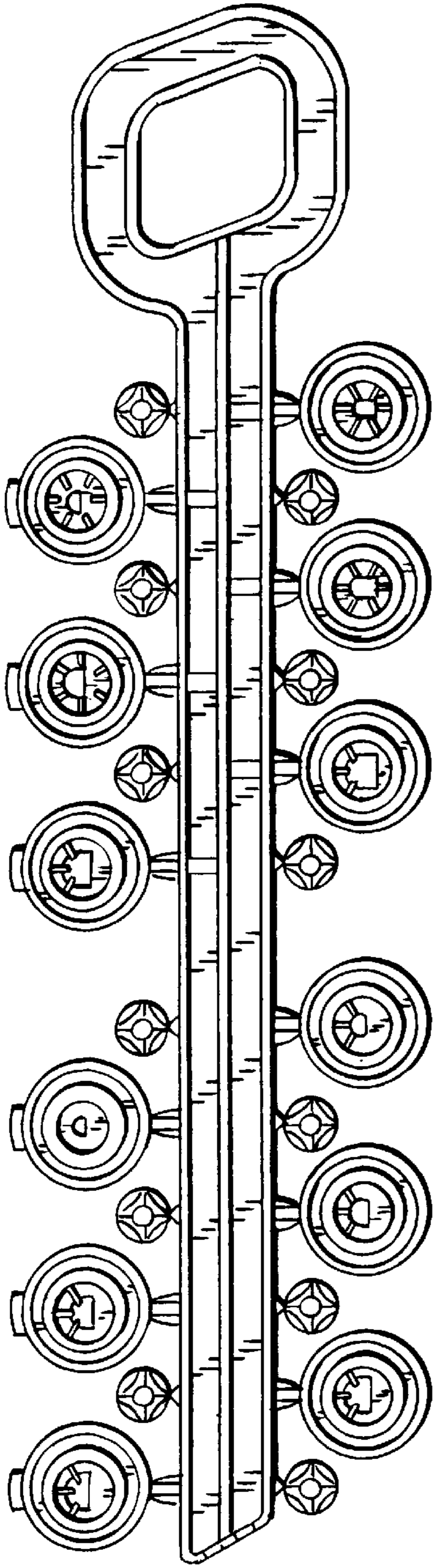


FIG. 2

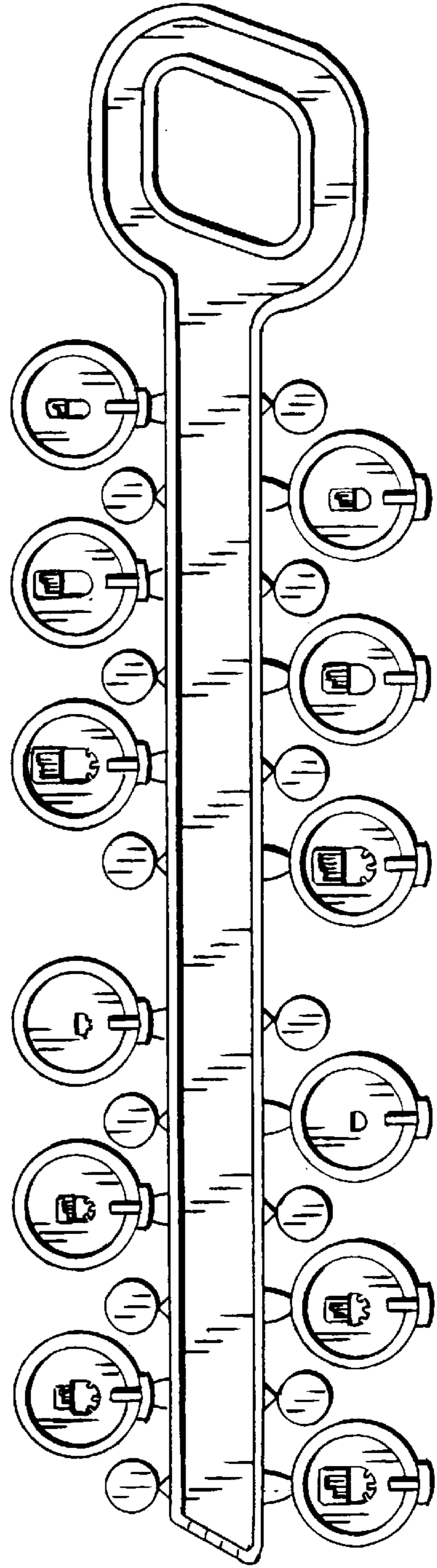


FIG. 3

FIG. 4

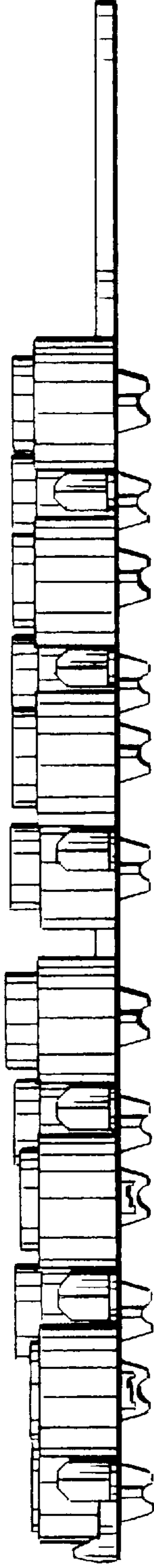


FIG. 5

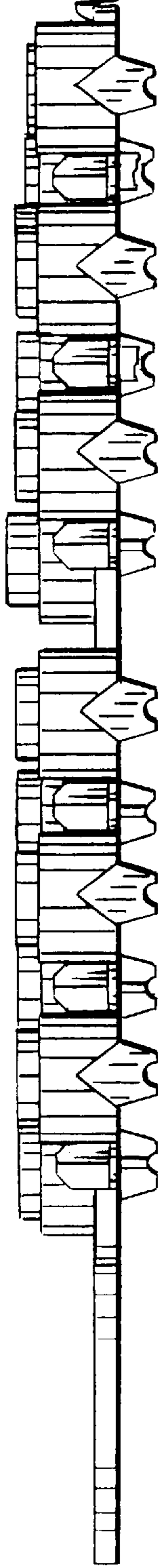


FIG. 6

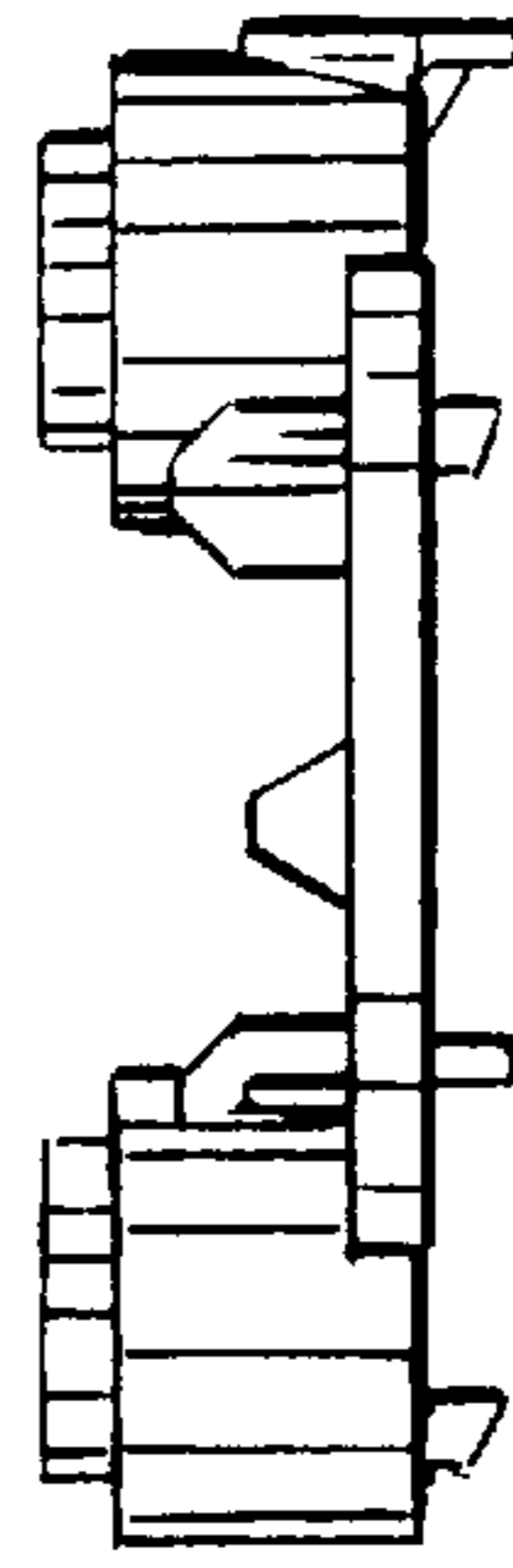


FIG. 7

