



US00D415413S

United States Patent [19] Cummings

[11] Patent Number: Des. 415,413

[45] Date of Patent: ** Oct. 19, 1999

[54] DISPENSER

[75] Inventor: Bruce Cummings, New York, N.Y.

[73] Assignee: Colgate-Palmolive Company, New York, N.Y.

[**] Term: 14 Years

[21] Appl. No.: 29/077,743

[22] Filed: Oct. 8, 1997

[51] LOC (6) Cl. 09-01

[52] U.S. Cl. D9/300; D9/552

[58] Field of Search D9/300, 523, 526, D9/552, 556, 557, 565; 222/82, 207, 321.7

[56] References Cited

U.S. PATENT DOCUMENTS

D. 111,212	9/1938	Meyer	D9/552
D. 191,598	10/1961	Lonker	D9/552 X
D. 277,073	1/1985	Czech	.	
D. 306,554	3/1990	Lawson	.	
D. 307,113	4/1990	Thompson	.	
D. 311,861	11/1990	Vanhoutte	.	
D. 313,181	12/1990	Pettengill	.	
D. 315,496	3/1991	Pettengill	.	
D. 320,735	10/1991	Pettengill	.	
D. 344,230	2/1994	Bertolini	D9/300
D. 373,529	9/1996	Zogg et al.	D9/300
D. 396,588	8/1998	Mack et al.	D9/300 X
D. 398,223	9/1998	Bertolini et al.	D9/300
D. 402,193	12/1998	Bell et al.	D9/300
2,661,871	12/1953	Huenergardt	.	
3,166,221	1/1965	Neilsen	.	
3,184,121	5/1965	Volckening	.	
3,197,071	7/1965	Kuster	.	
3,200,995	8/1965	Gangwisch	.	
3,207,375	9/1965	Bereziat	.	
3,236,418	2/1966	Dalle	.	
3,402,855	9/1968	Schroeder	.	
3,570,719	3/1971	Schiff	.	
3,613,956	10/1971	McCulloch	.	
3,635,376	1/1972	Hellstrom	.	
4,040,420	8/1977	Speer	.	

4,046,288	9/1977	Bergman	.	
4,121,739	10/1978	Devaney	.	
4,240,566	12/1980	Bergman	.	
4,261,481	4/1981	Speer	.	
4,528,180	7/1985	Schaeffer	.	
4,687,663	8/1987	Schaeffer	.	
4,747,517	5/1988	Hart	.	
4,771,919	9/1988	Ernst	.	
4,773,562	9/1988	Gueret	.	
4,795,043	1/1989	Odet	.	
4,826,048	5/1989	Skorka	.	
4,871,090	10/1989	Hoffmann	.	
4,974,756	12/1990	Pearson	.	
5,020,694	6/1991	Pettengill	.	
5,038,963	8/1991	Pettengill	.	
5,065,906	11/1991	Maeder	.	
5,224,627	7/1993	Weag	.	
5,289,949	3/1994	Gentile	.	
5,318,203	6/1994	Iaia et al.	.	
5,332,124	7/1994	Cancro	.	
5,335,827	8/1994	Gentile	.	
5,645,193	7/1997	Gentile	.	
5,875,936	3/1999	Turbett et al.	222/207

FOREIGN PATENT DOCUMENTS

0294672	6/1993	European Pat. Off.	.
0576222	6/1993	European Pat. Off.	.

Primary Examiner—Cathron B. Matta
Attorney, Agent, or Firm—Michael McGreal

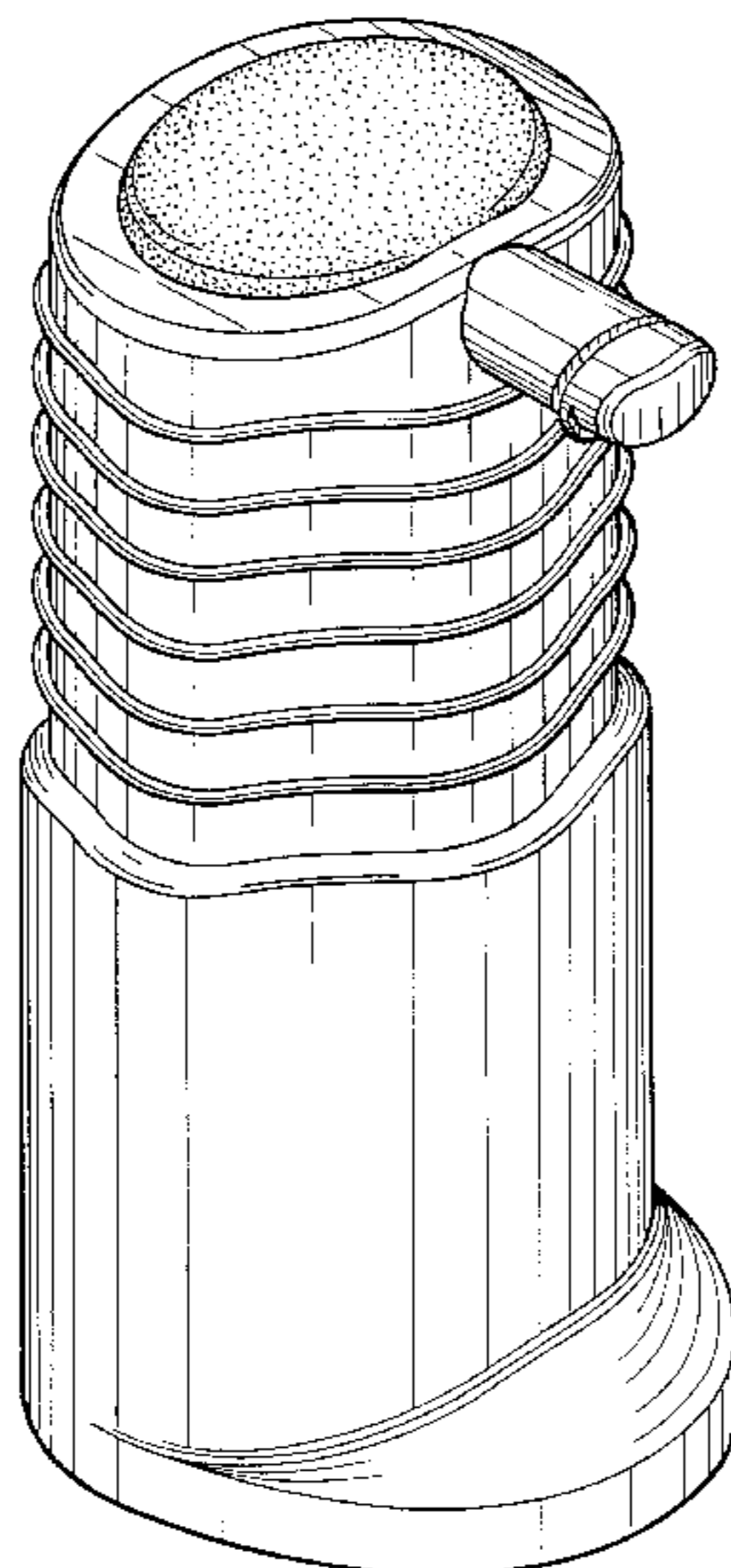
[57] CLAIM

The ornamental design for a dispenser, as shown and described.

DESCRIPTION

FIG. 1 is a perspective view of our design for a dispenser. FIG. 2 is a front elevation view thereof. FIG. 3 is a right side elevation view thereof, the left side elevation views being a mirror image thereof. FIG. 4 is a rear elevation view thereof. FIG. 5 is a to plan view thereof; and, FIG. 6 is a bottom plan view thereof.

1 Claim, 5 Drawing Sheets



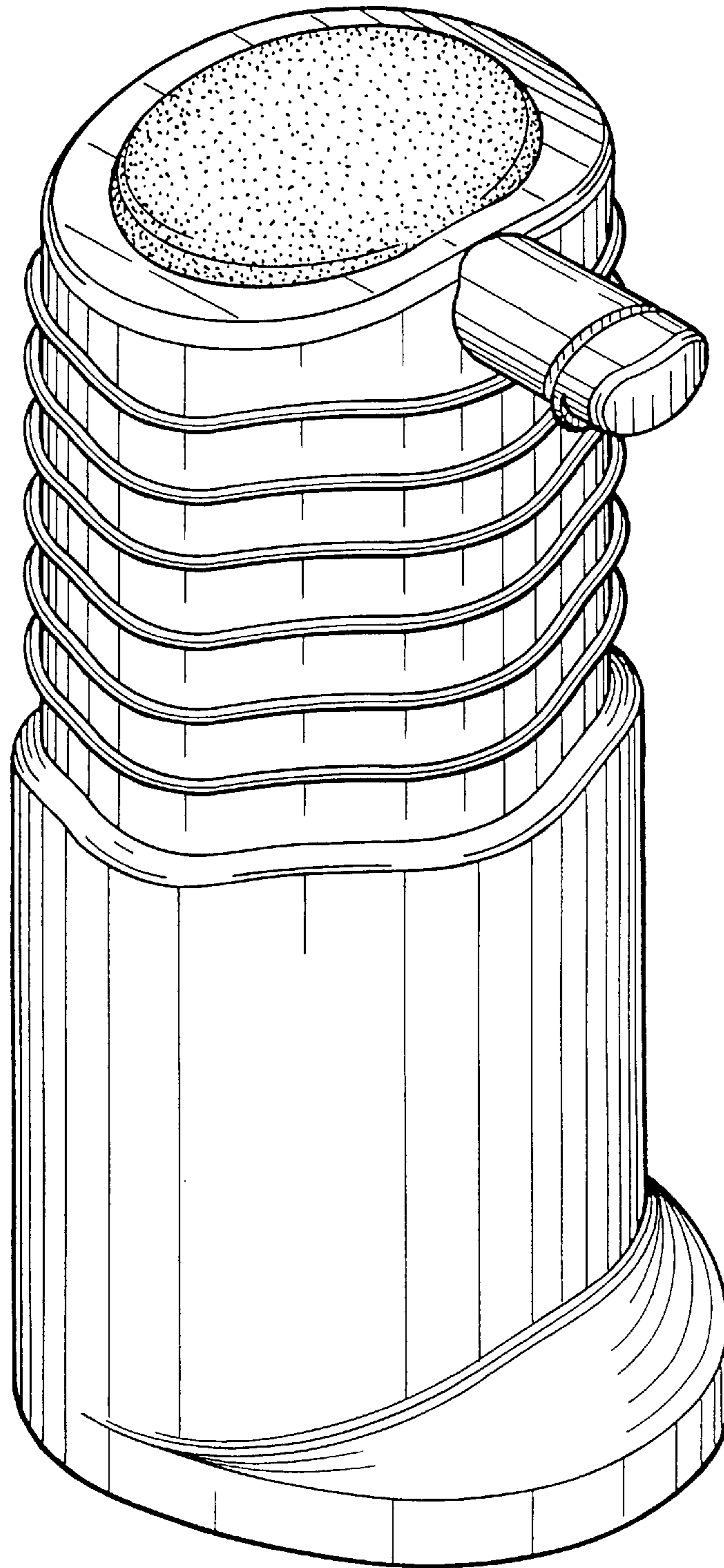


FIG. 1

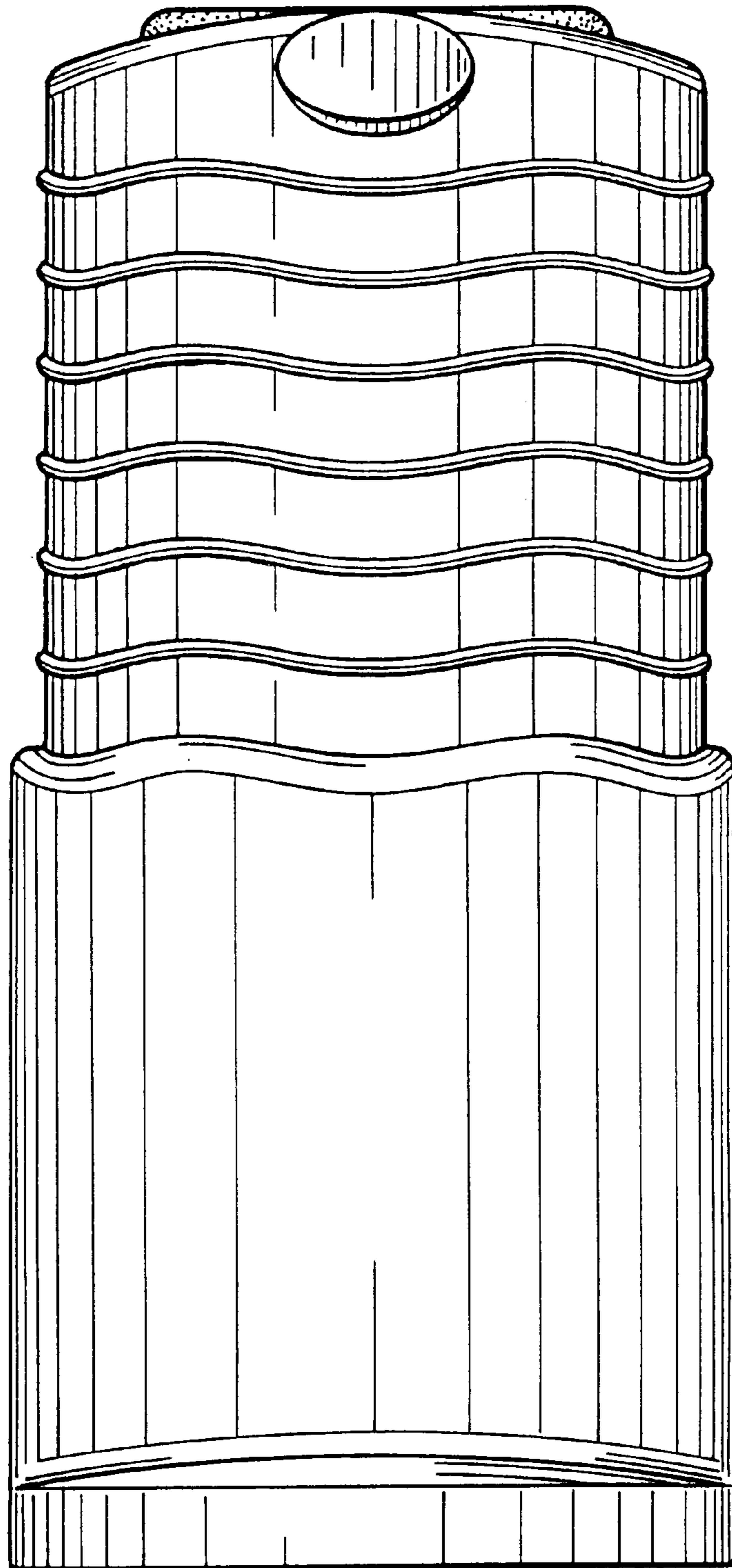


FIG. 2

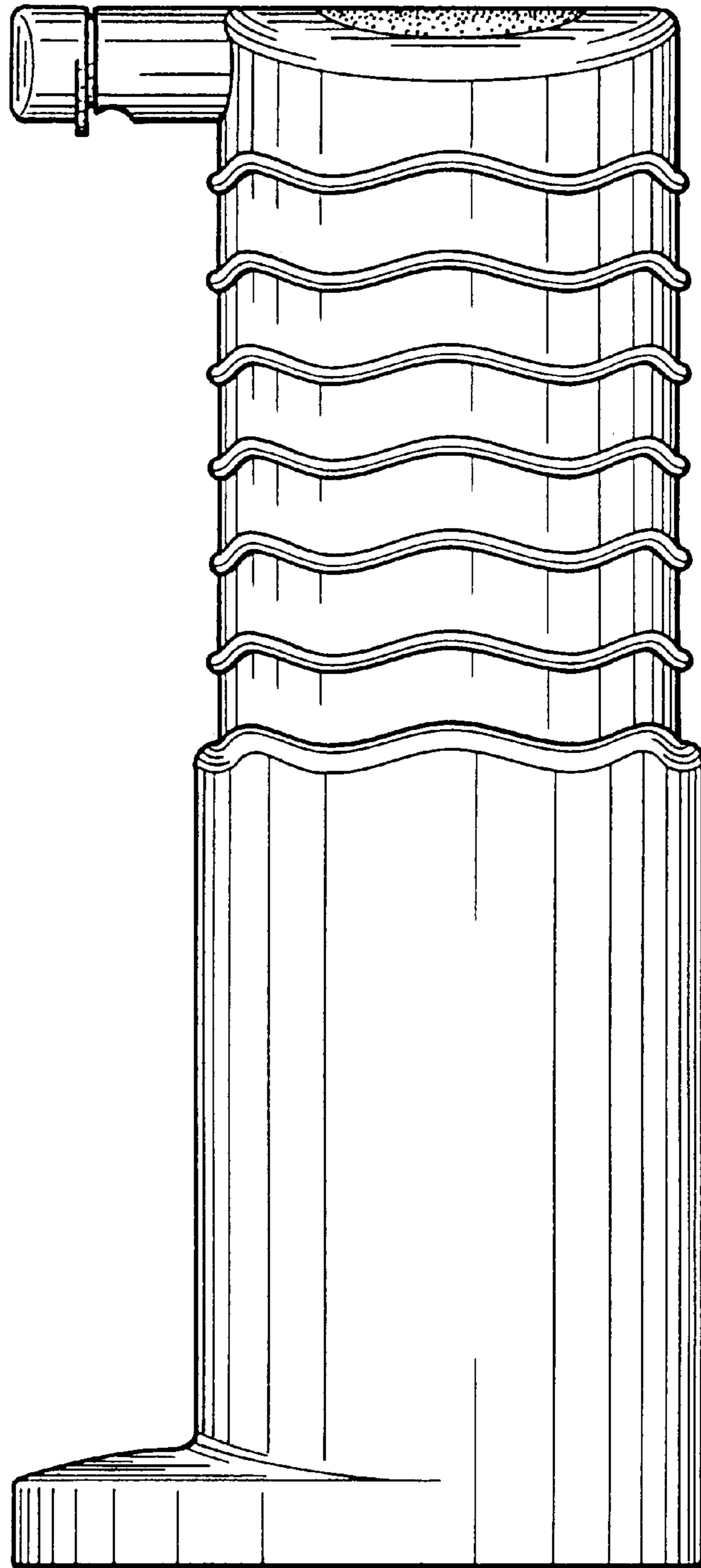


FIG. 3

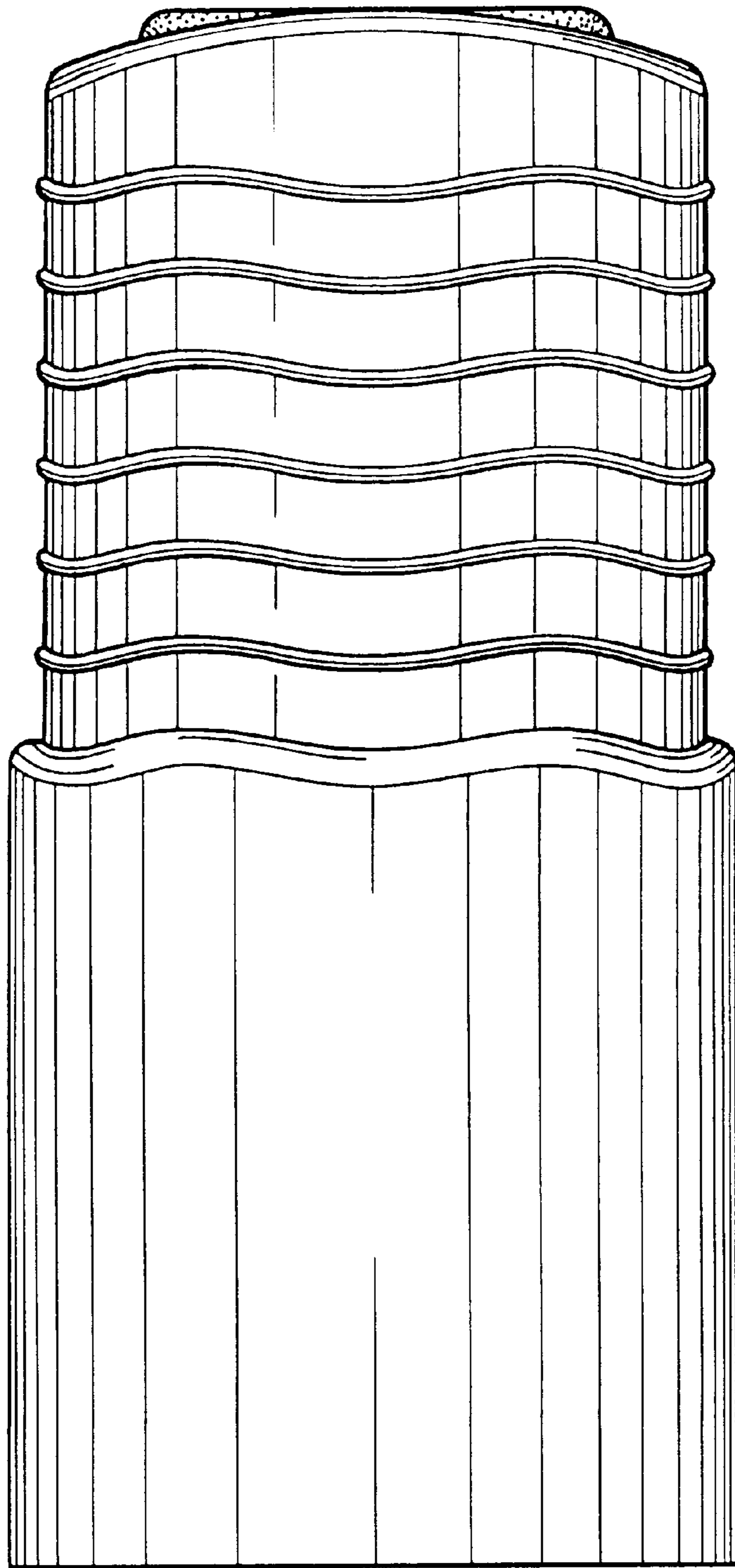


FIG. 4

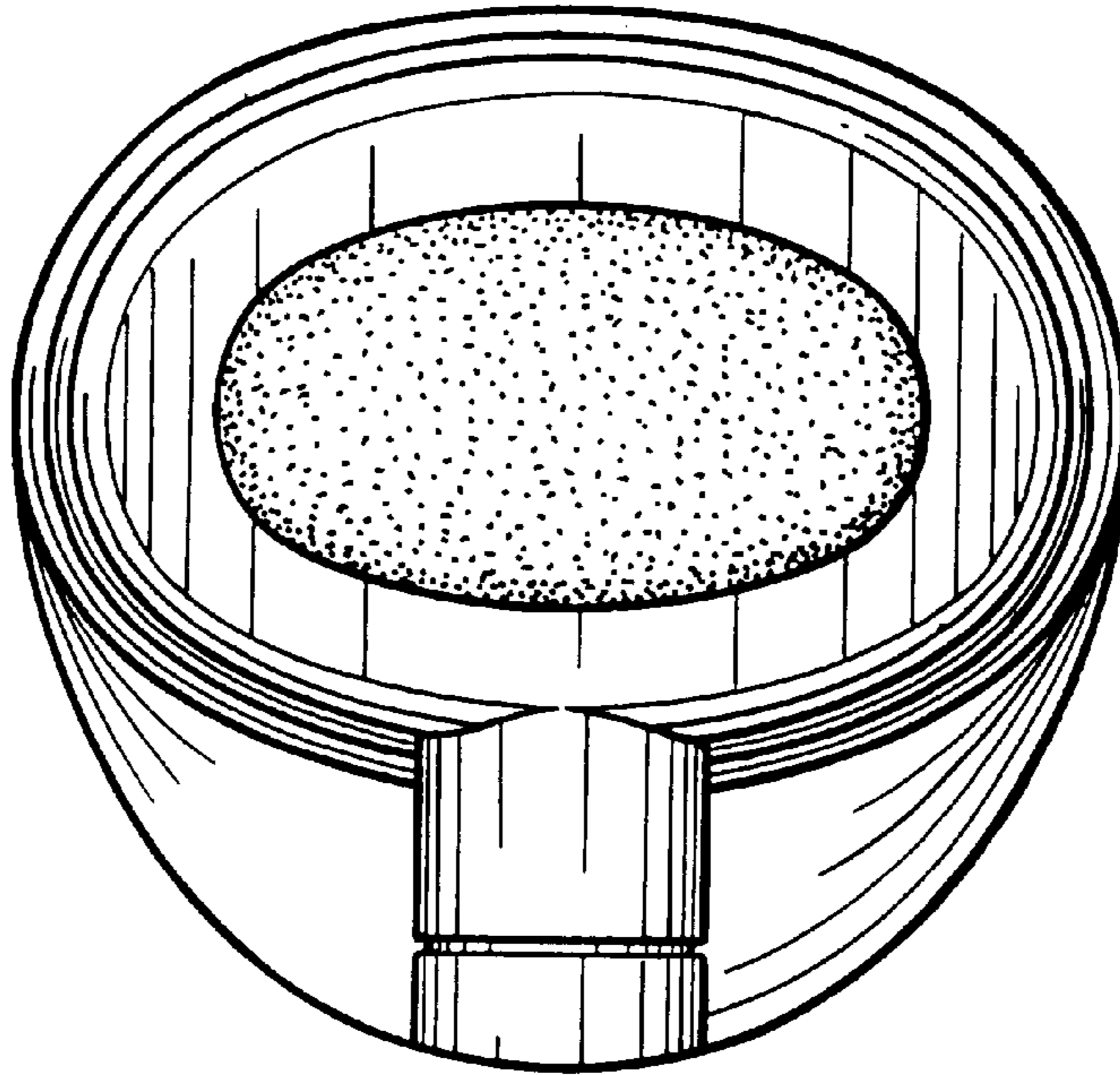


FIG. 5

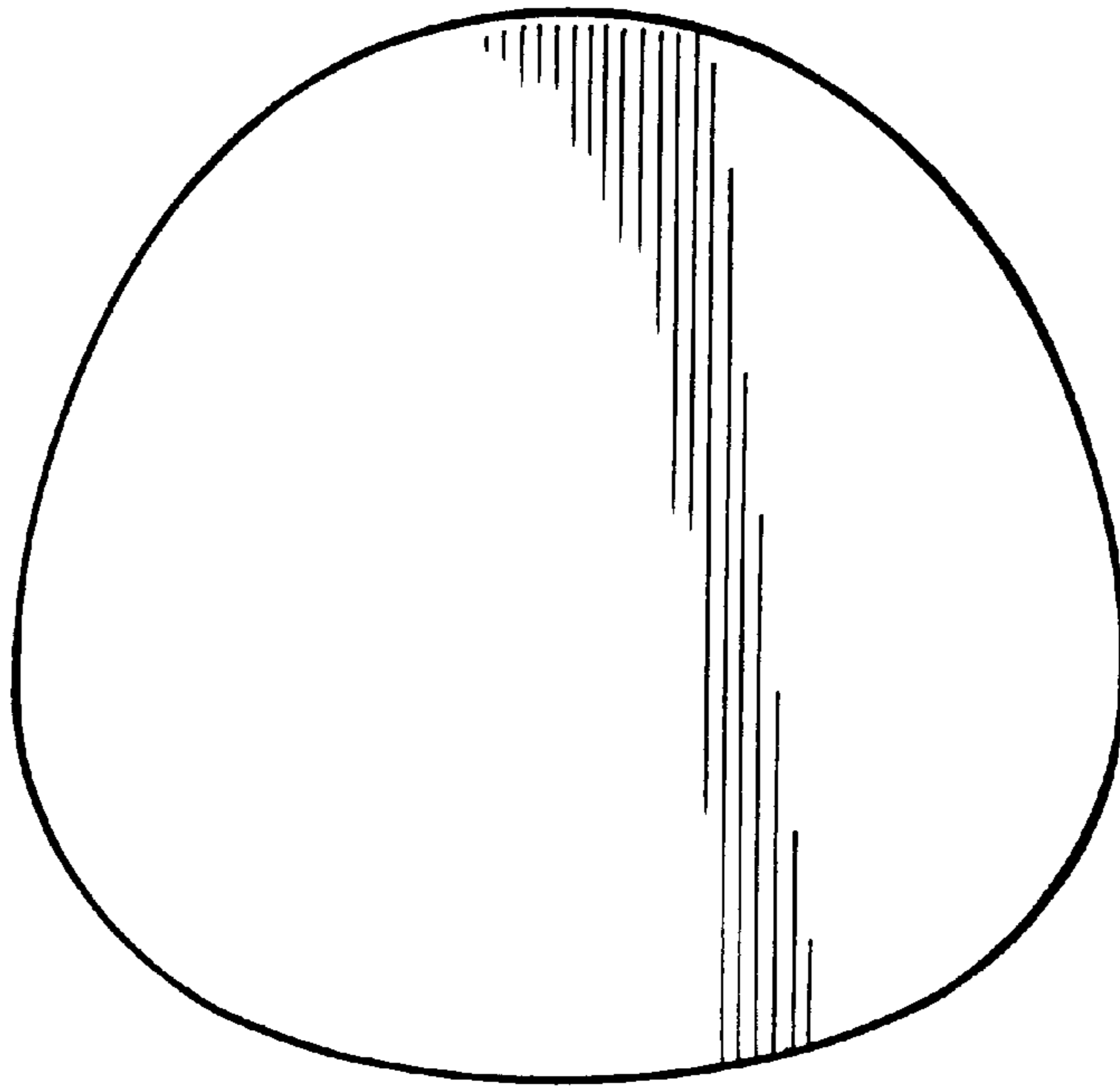


FIG. 6