



US00D415412S

United States Patent [19] Chavers

[11] **Patent Number: Des. 415,412**

[45] **Date of Patent: ** Oct. 19, 1999**

[54] **FURNITURE/APPLIANCE SPACE FILLING DEVICE**

Primary Examiner—Susan J. Lucas
Assistant Examiner—Jennifer Rivard

[76] Inventor: **Constance Chavers**, 11150 Cypress Dale Ave., Baton Rouge, La. 70807

[57] **CLAIM**

The ornamental design for a furniture/appliance space filling device, as shown.

[**] Term: **14 Years**

DESCRIPTION

[21] Appl. No.: **29/073,441**

FIG. 1 is a front elevational view of the furniture/appliance space filling device of the present invention;
FIG. 2 is a back elevational view of the furniture/appliance space filling device of FIG. 1;
FIG. 3 is a left side elevational view of the furniture/appliance space filling device of FIG. 1;
FIG. 4 is a right side elevational view of the furniture/appliance space filling device of FIG. 1;
FIG. 5 is a top plan view of the furniture/appliance space filling device of FIG. 1;
FIG. 6 is a bottom plan view of the furniture/appliance space filling device of FIG. 1; and,
FIG. 7 is a perspective view of the furniture/appliance space filling device of FIG. 1.

[22] Filed: **Jul. 10, 1997**

[51] **LOC (6) Cl.** **08-09**

[52] **U.S. Cl.** **D8/403**

[58] **Field of Search** 248/345.1; D8/400, D8/402, 403, 395, 396; 267/139, 140; 49/462; D20/44; 52/732.1, 732.3, 736.4; D25/119-125

[56] **References Cited**

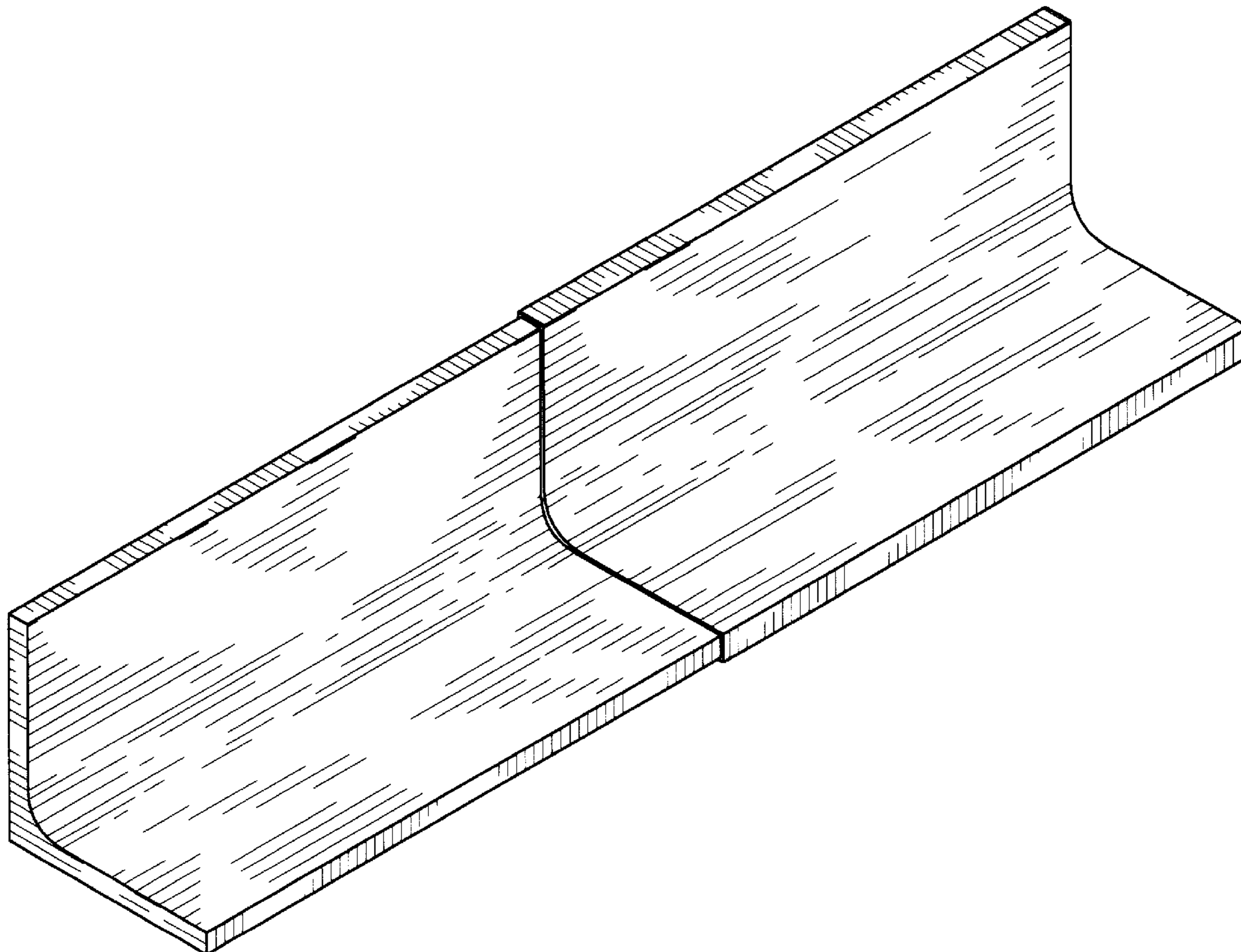
U.S. PATENT DOCUMENTS

- D. 339,641 9/1993 Leufstedt et al. D25/119
- D. 352,791 11/1994 Manaras D25/119 X

OTHER PUBLICATIONS

Right Angle Molding, Utwater Plastics Inc., Mar. 1985.
Corner Brackets, Plastiglide Catalog 21A, Aug. 1983.

1 Claim, 3 Drawing Sheets



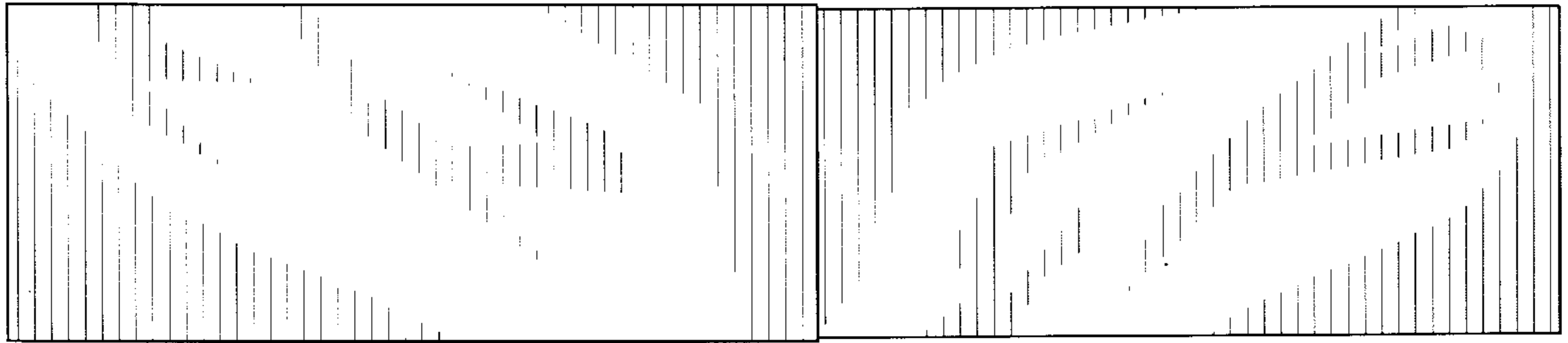


Fig. 2

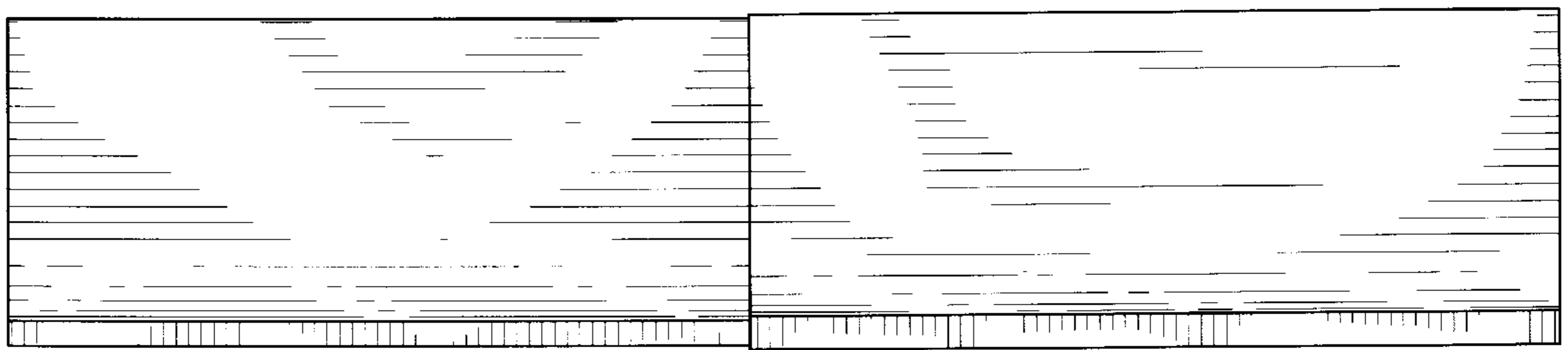


Fig. 1

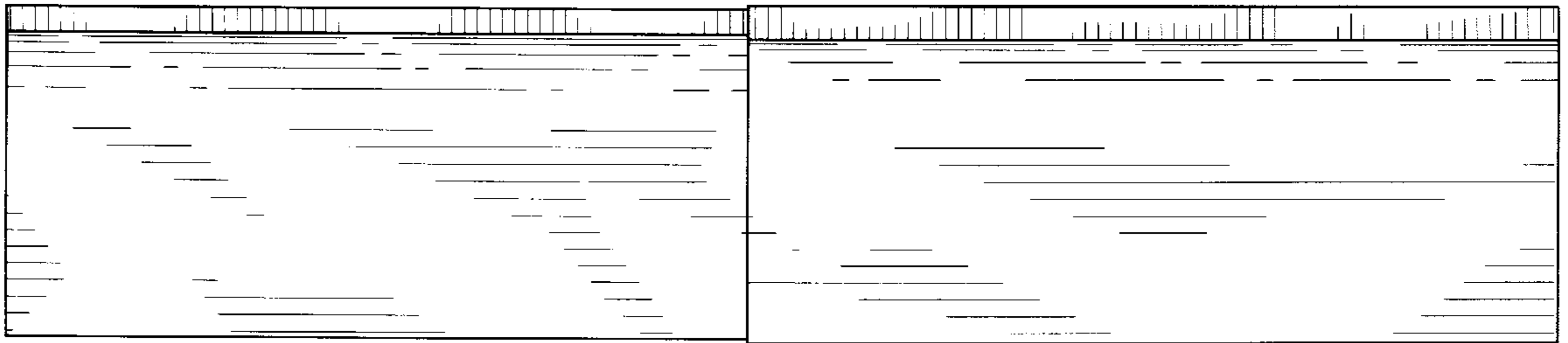


Fig. 5

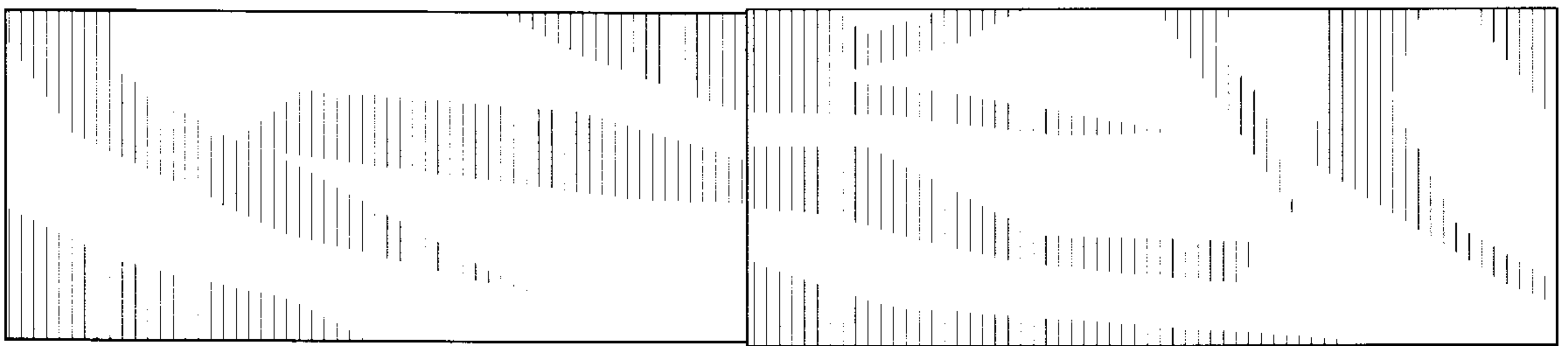


Fig. 6

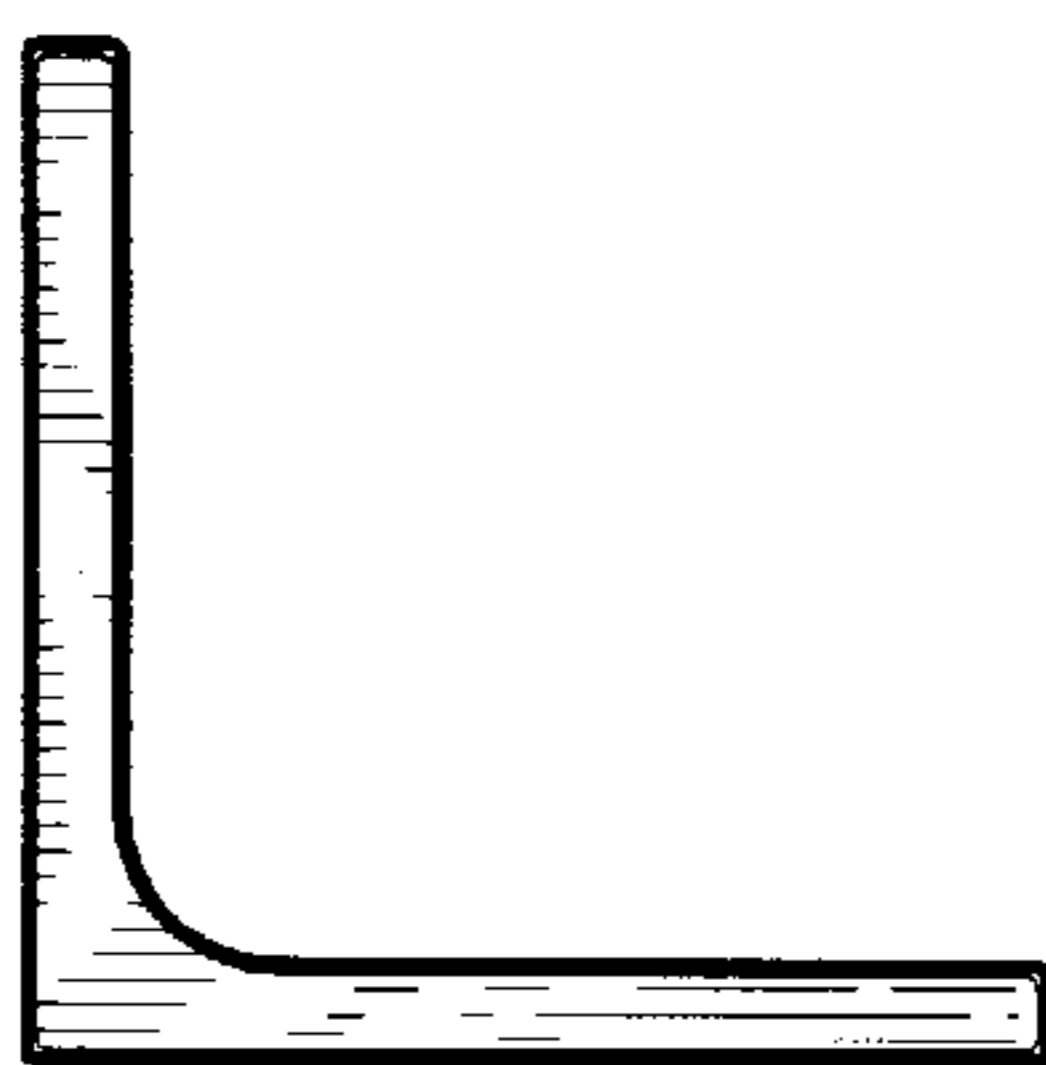


Fig. 3

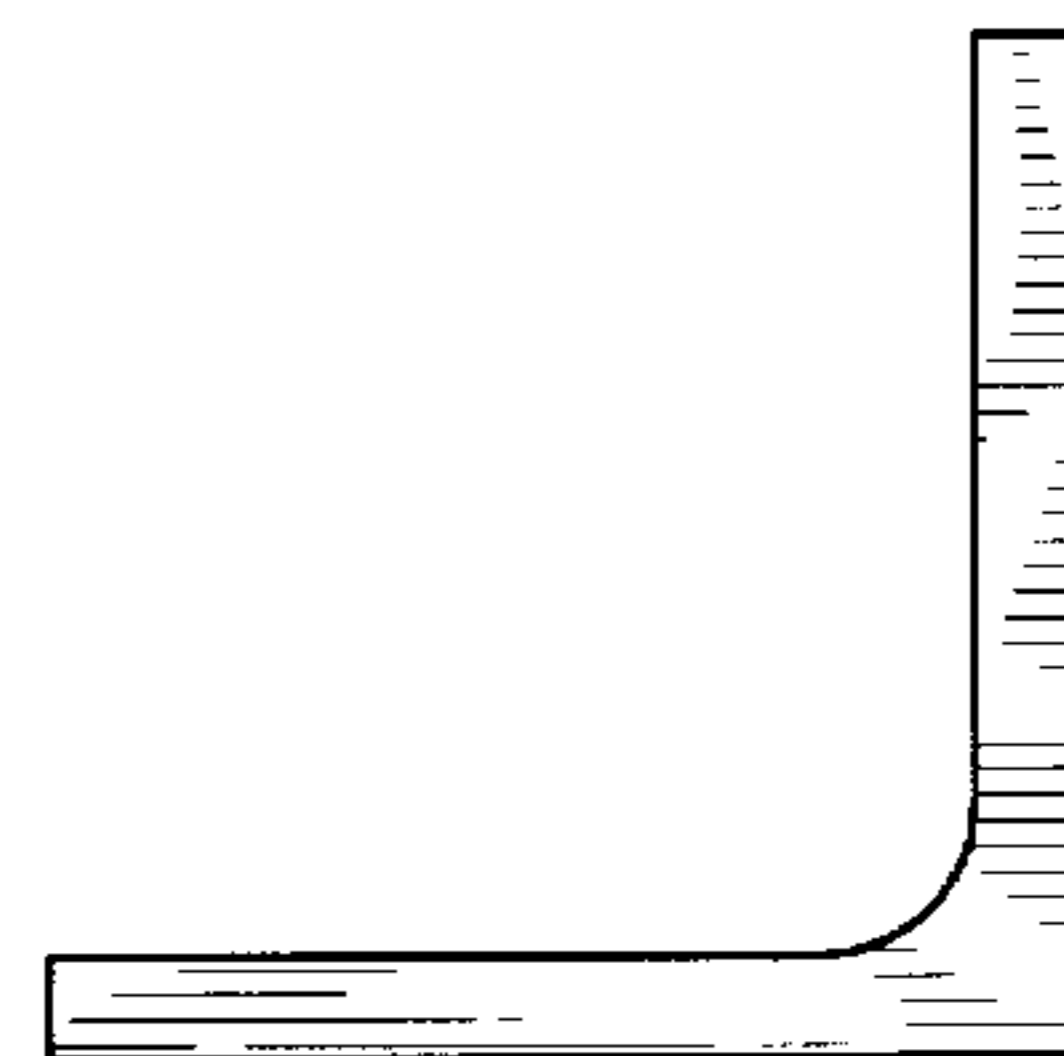


Fig. 4

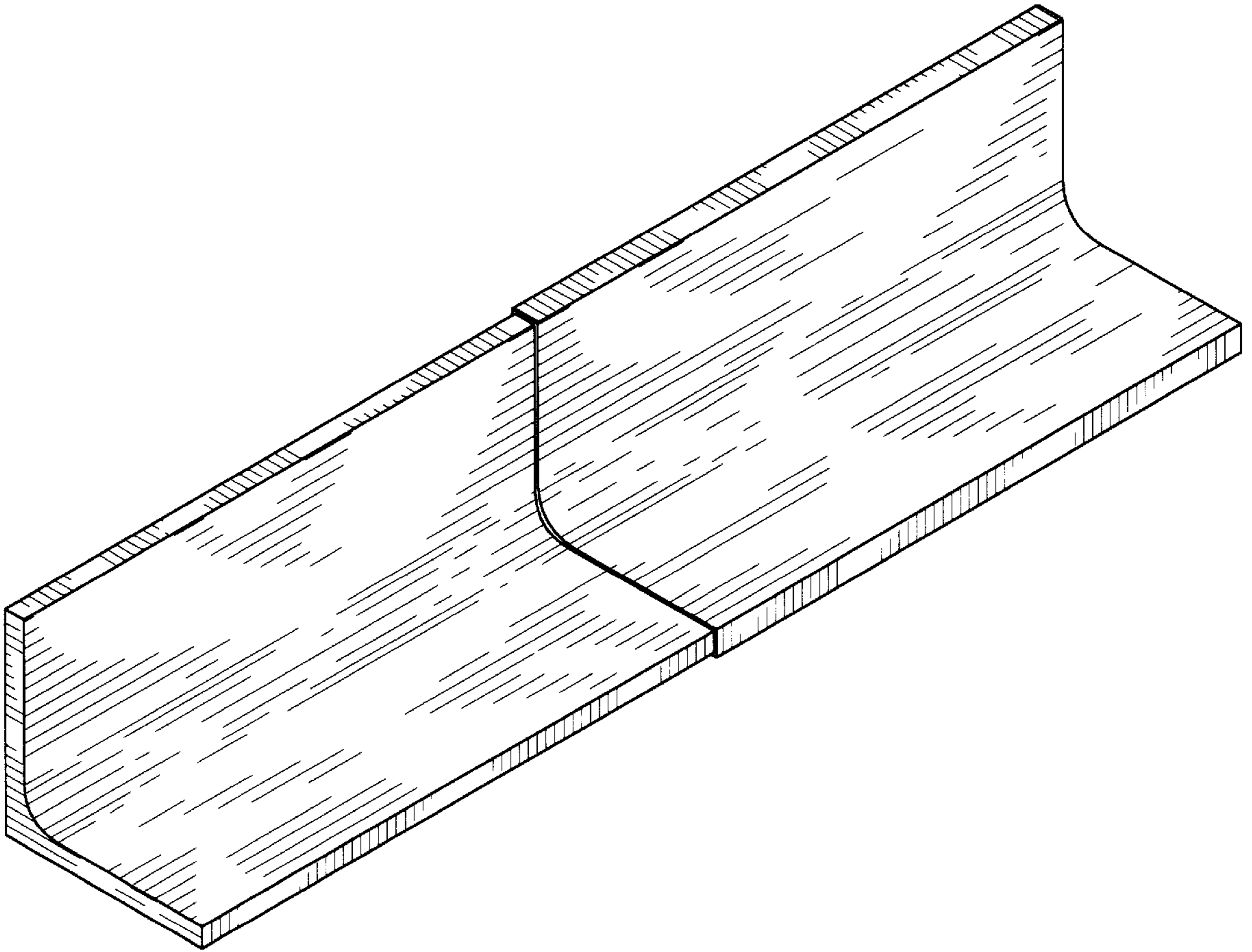


Fig. 7