



US00D415411S

# United States Patent [19]

Mensour et al.

[11] Patent Number: **Des. 415,411**

[45] Date of Patent: **\*\* Oct. 19, 1999**

[54] **THREADED FASTENER**

445374 12/1949 Italy ..... 411/429  
2132729 7/1984 United Kingdom ..... 411/2

[75] Inventors: **Peter Mensour; Richard Tremblay;  
Mark Steklasa**, all of Sudbury, Canada

### OTHER PUBLICATIONS

[73] Assignee: **Milad Mansour**, Sudbury, Canada

DZUS Catalog, p. 18, receptacle, item A located at top of page, Apr. 1981.

[\*\*] Term: **14 Years**

1995 Frazer & Jones Mine Roof Support Anchors Catalogue—p. 6.

[21] Appl. No.: **29/069,613**

*Primary Examiner*—Holly Baynham

[22] Filed: **May 6, 1997**

*Attorney, Agent, or Firm*—Riches, McKenzie & Herbert

[51] **LOC (6) Cl.** ..... **08-08**

[52] **U.S. Cl.** ..... **D8/397**

[58] **Field of Search** ..... D8/387, 397, 382;  
403/292, 295–296, 405.1

### [57] CLAIM

We claim the ornamental design for a threaded fastener, as shown and described.

### [56] References Cited

### DESCRIPTION

#### U.S. PATENT DOCUMENTS

D. 270,642	9/1983	Watts	.....	D8/387
D. 370,824	6/1996	DiBiagio	.....	D8/382
1,933,117	10/1933	Markle	.....	411/429
4,618,291	10/1986	Wright	.	
4,662,795	5/1987	Clark	.....	411/8
5,282,698	2/1994	Wright et al.	.	
5,352,065	10/1994	Arnall	.....	411/3
5,352,066	10/1994	Schaeffer et al.	.	

FIG. 1 is a top, first side and second side elevational view of a threaded fastener showing my new design;

FIG. 2 is a first side elevational view thereof, the opposite elevational view thereof being the mirror image to that shown;

FIG. 3 is a top plan view thereof;

FIG. 4 is a bottom plan view thereof;

FIG. 5 is a second side elevational view thereof, the opposite side elevational view thereof being a mirror image of that shown; and,

FIG. 6 is a top plan view of a second embodiment of a threaded fastener showing my new design.

#### FOREIGN PATENT DOCUMENTS

497584	12/1950	Belgium	.....	411/429
--------	---------	---------	-------	---------

**1 Claim, 2 Drawing Sheets**

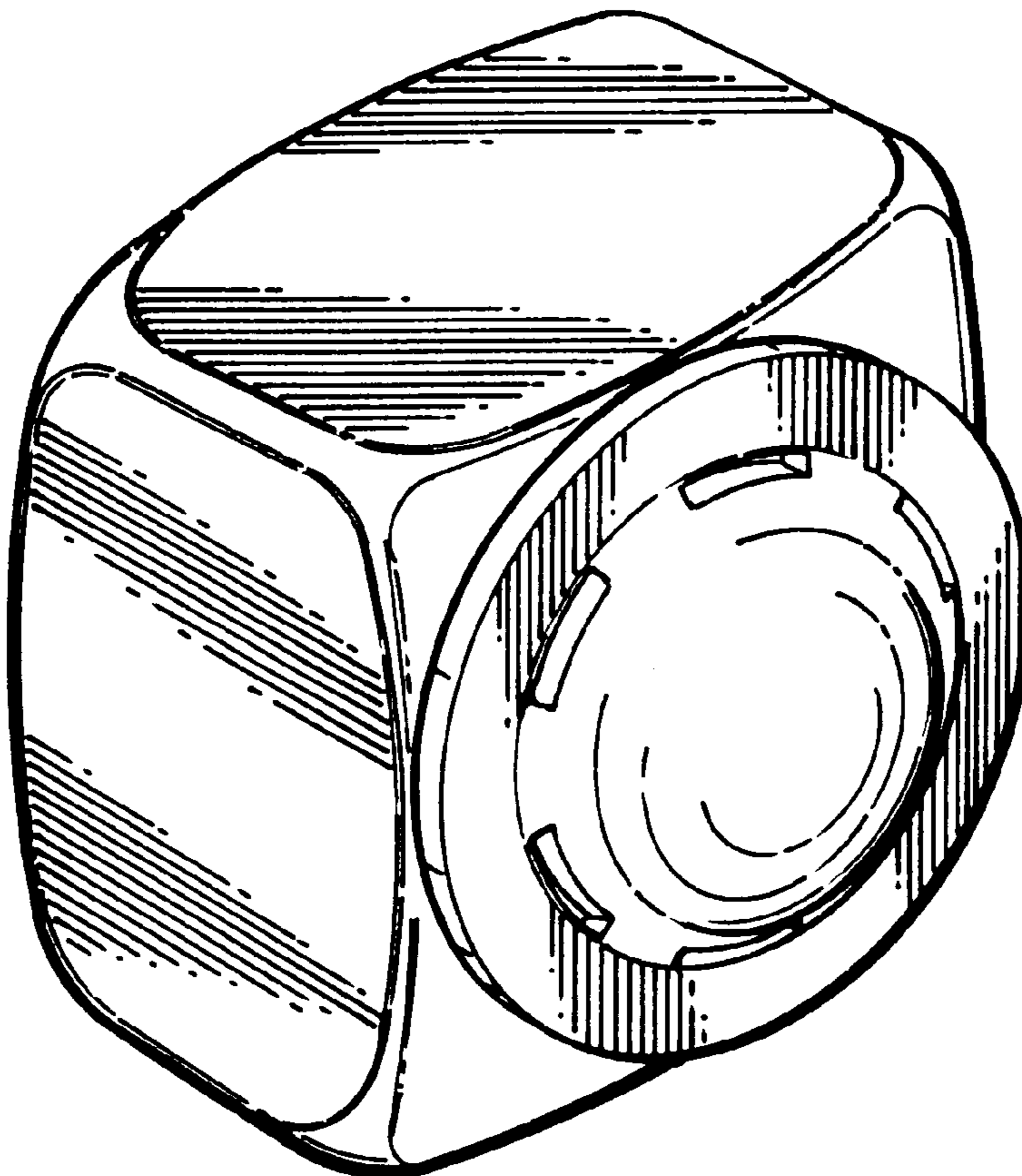


FIG. 1.

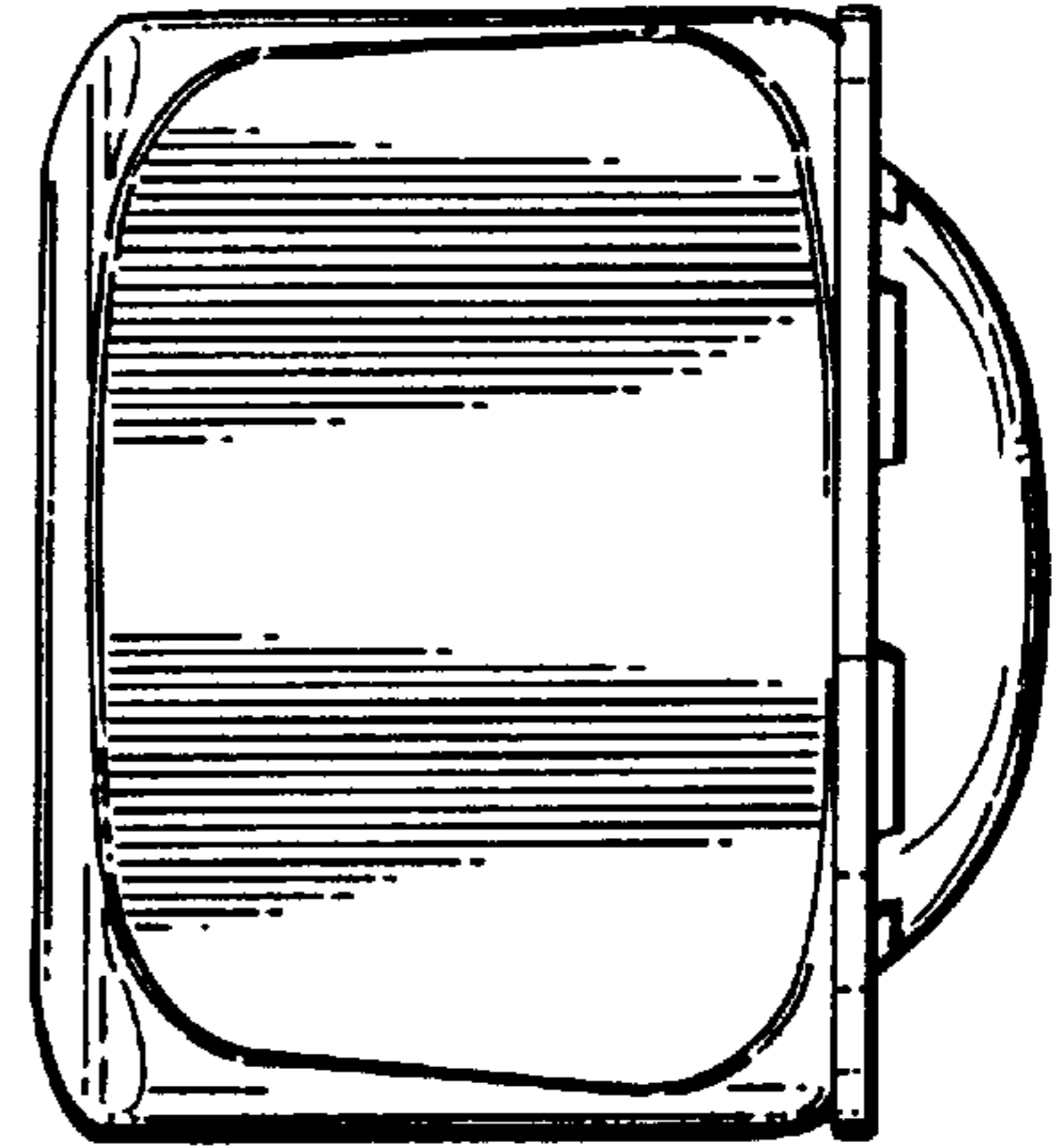
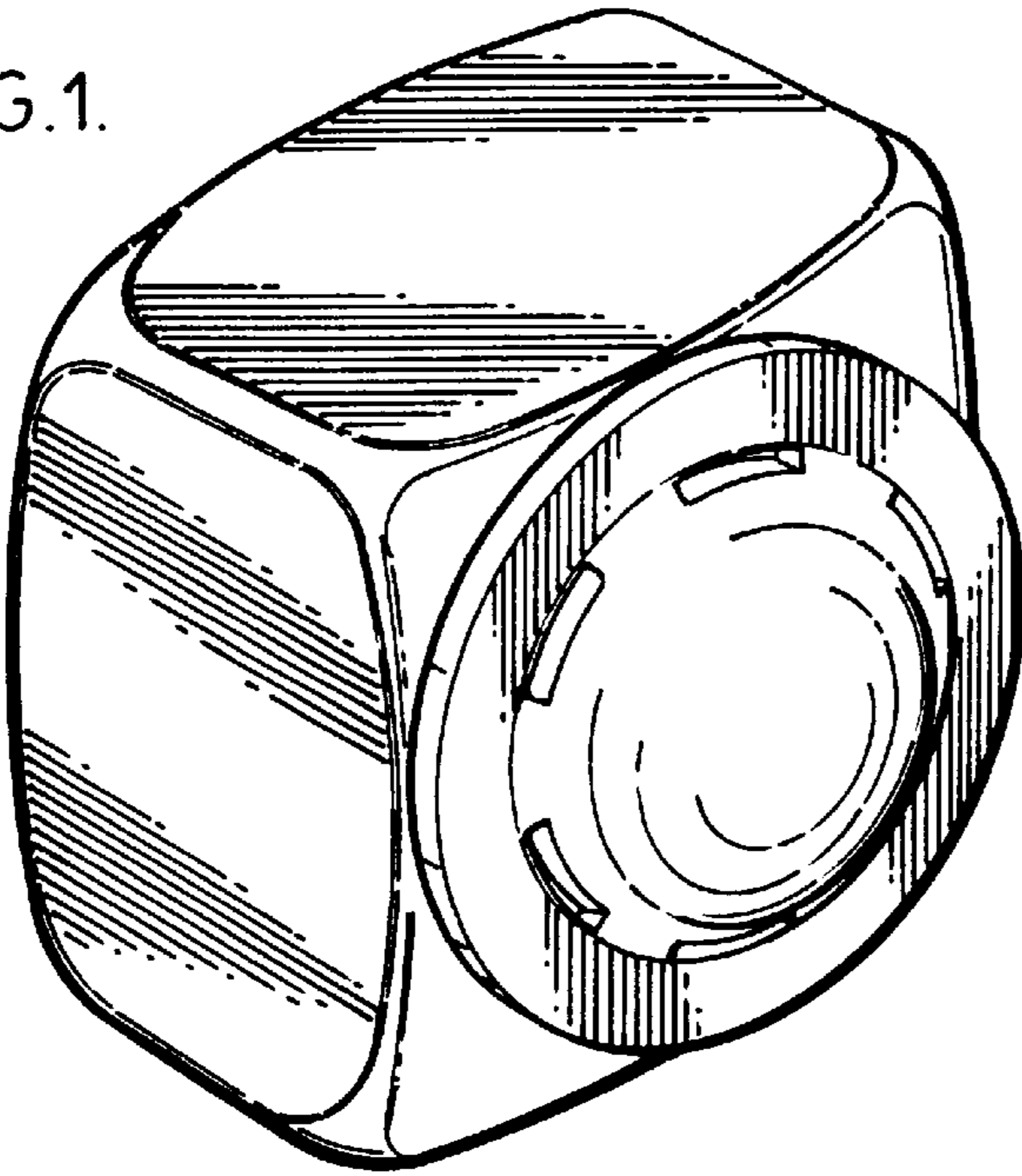


FIG. 2.

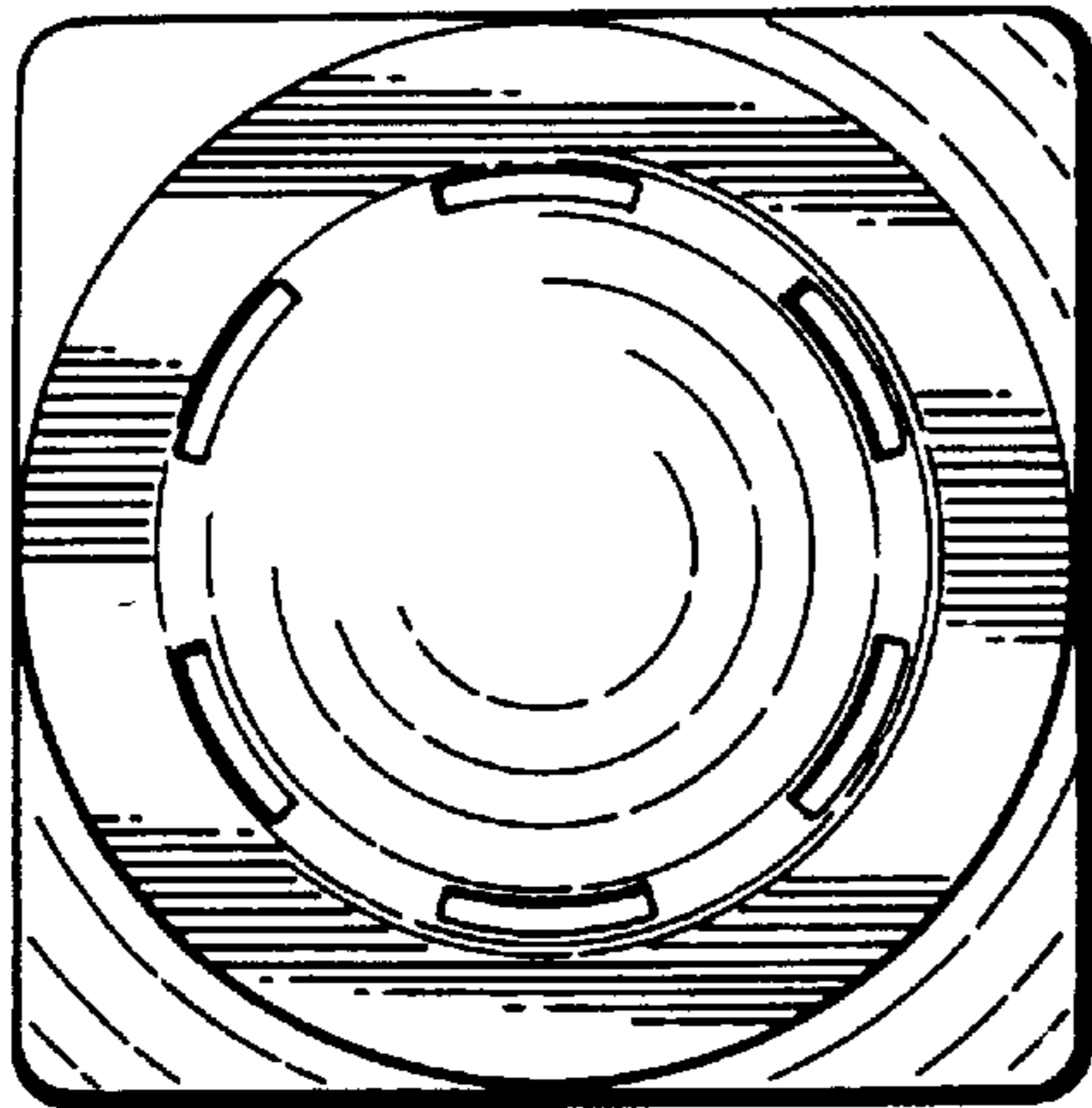


FIG. 3.

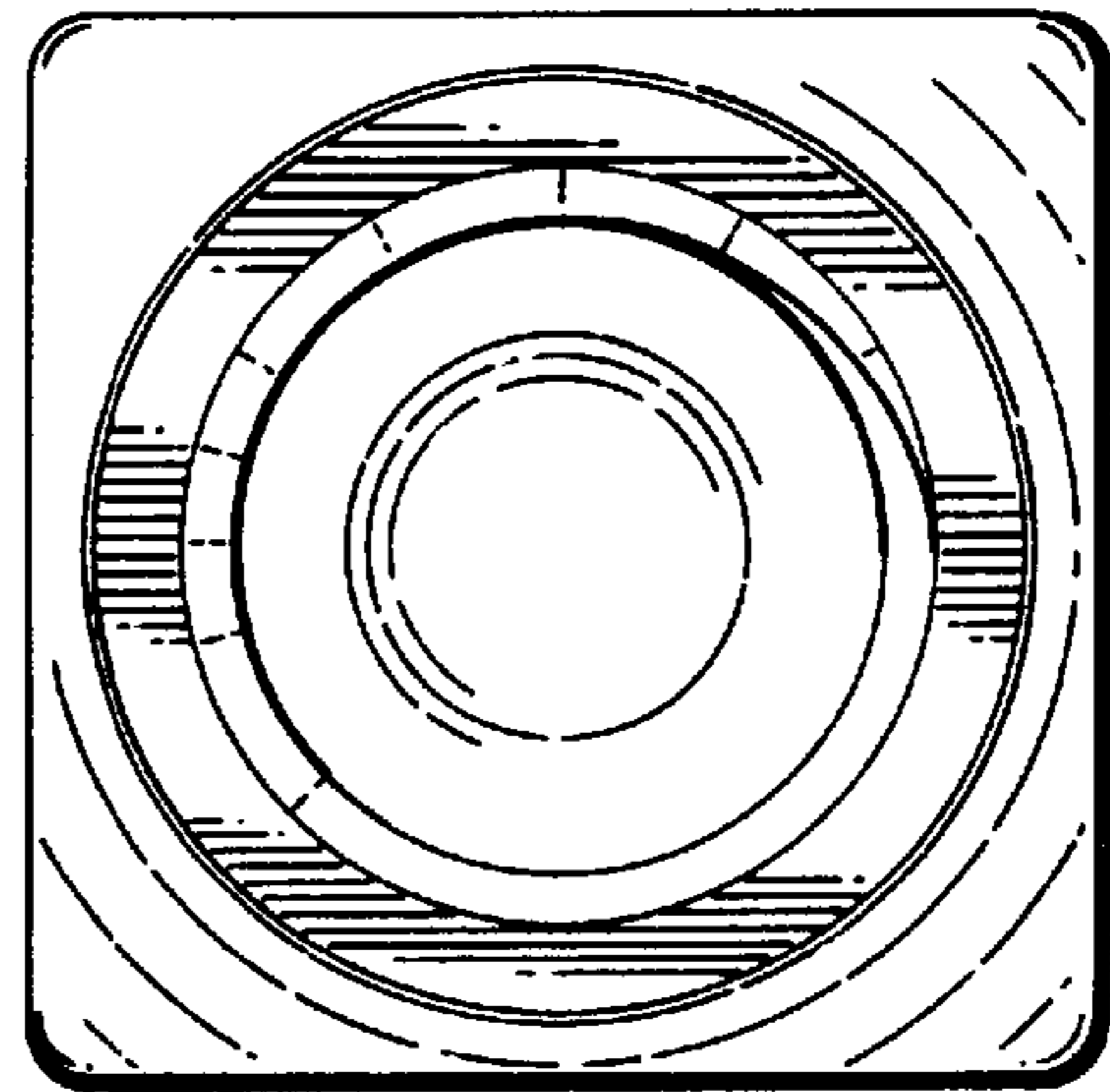


FIG. 4.

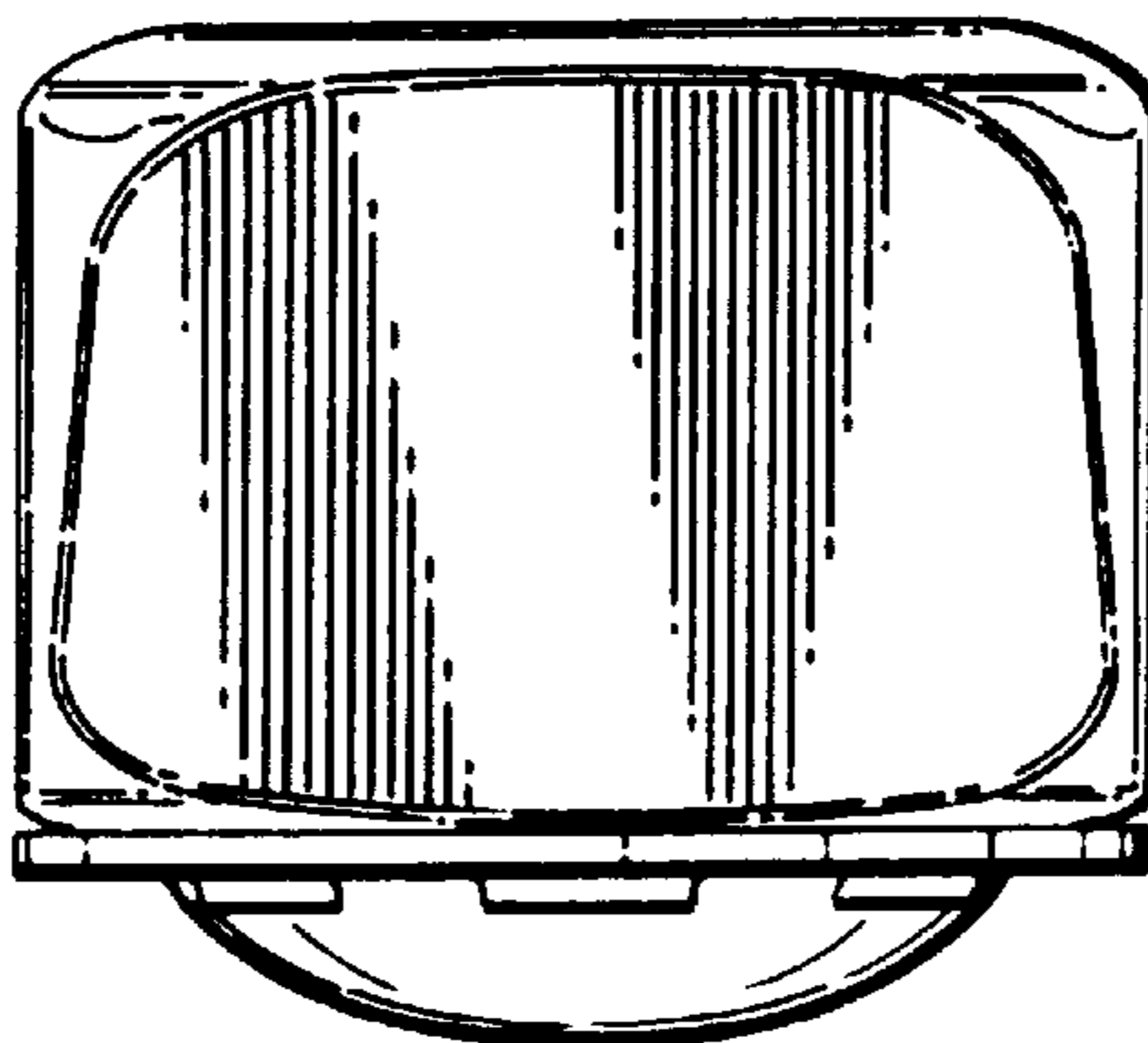


FIG. 5.

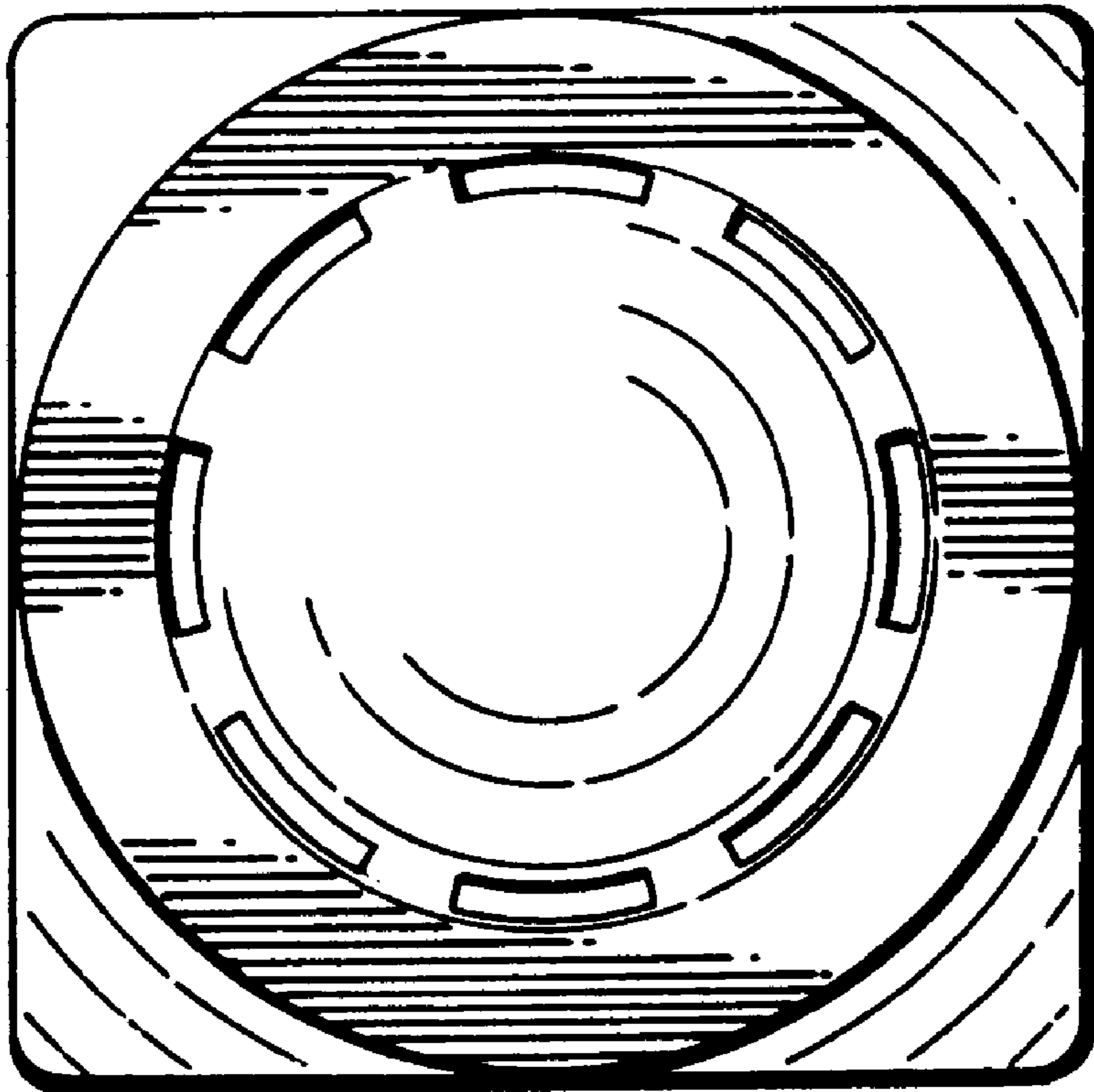


FIG. 6.