



US00D415410S

# United States Patent [19]

[11] Patent Number: **Des. 415,410**

An et al.

[45] Date of Patent: **\*\* Oct. 19, 1999**

[54] **CLAMP**

[75] Inventors: **Bin An**, Woodinville; **Paul Hornikx**, Redmond; **Dan Blase**, Everett, all of Wash.

[73] Assignee: **Microsoft Corporation**, Redmond, Wash.

[\*\*] Term: **14 Years**

[21] Appl. No.: **29/089,940**

[22] Filed: **Jun. 26, 1998**

[51] **LOC (6) Cl.** ..... **08-08**

[52] **U.S. Cl.** ..... **D8/394**

[58] **Field of Search** ..... D8/394-396; 24/261, 24/459, 494, 498-499, 516-517

[56] **References Cited**

**U.S. PATENT DOCUMENTS**

D. 350,469 9/1994 Sawden ..... D8/72

*Primary Examiner*—Holly Baynham  
*Attorney, Agent, or Firm*—Ronald M. Anderson

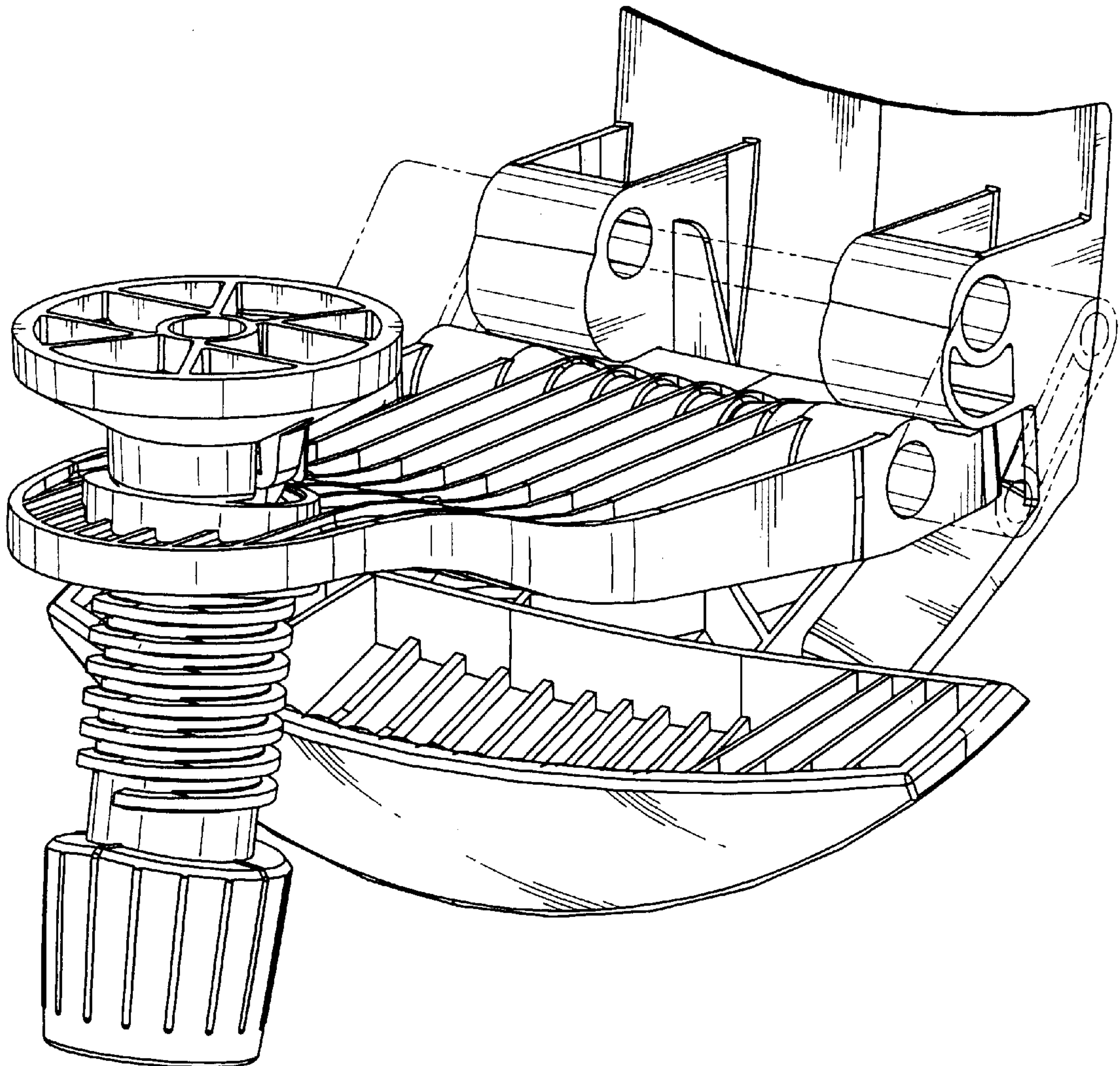
[57] **CLAIM**

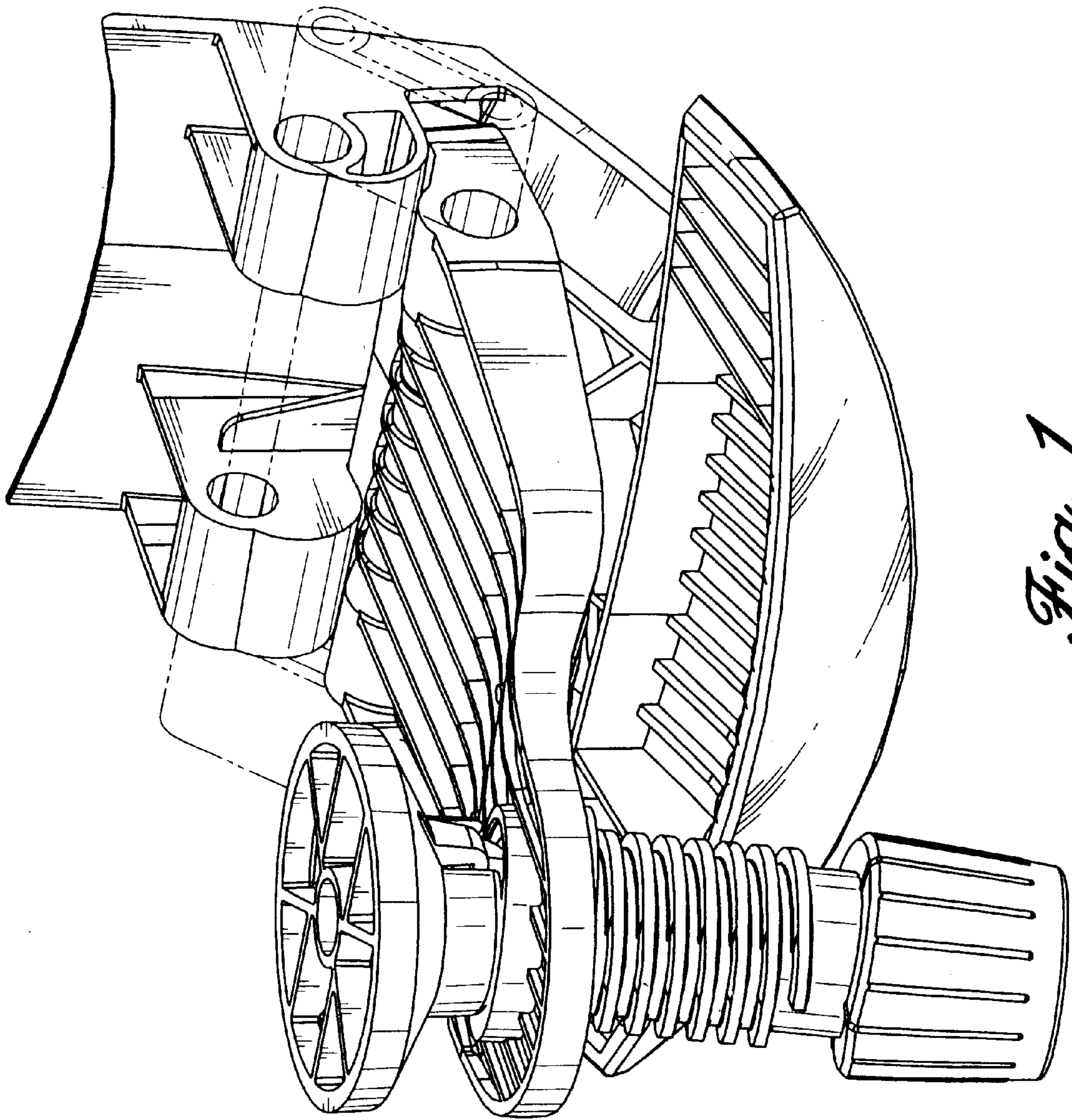
The ornamental design for a clamp, as shown and described.

**DESCRIPTION**

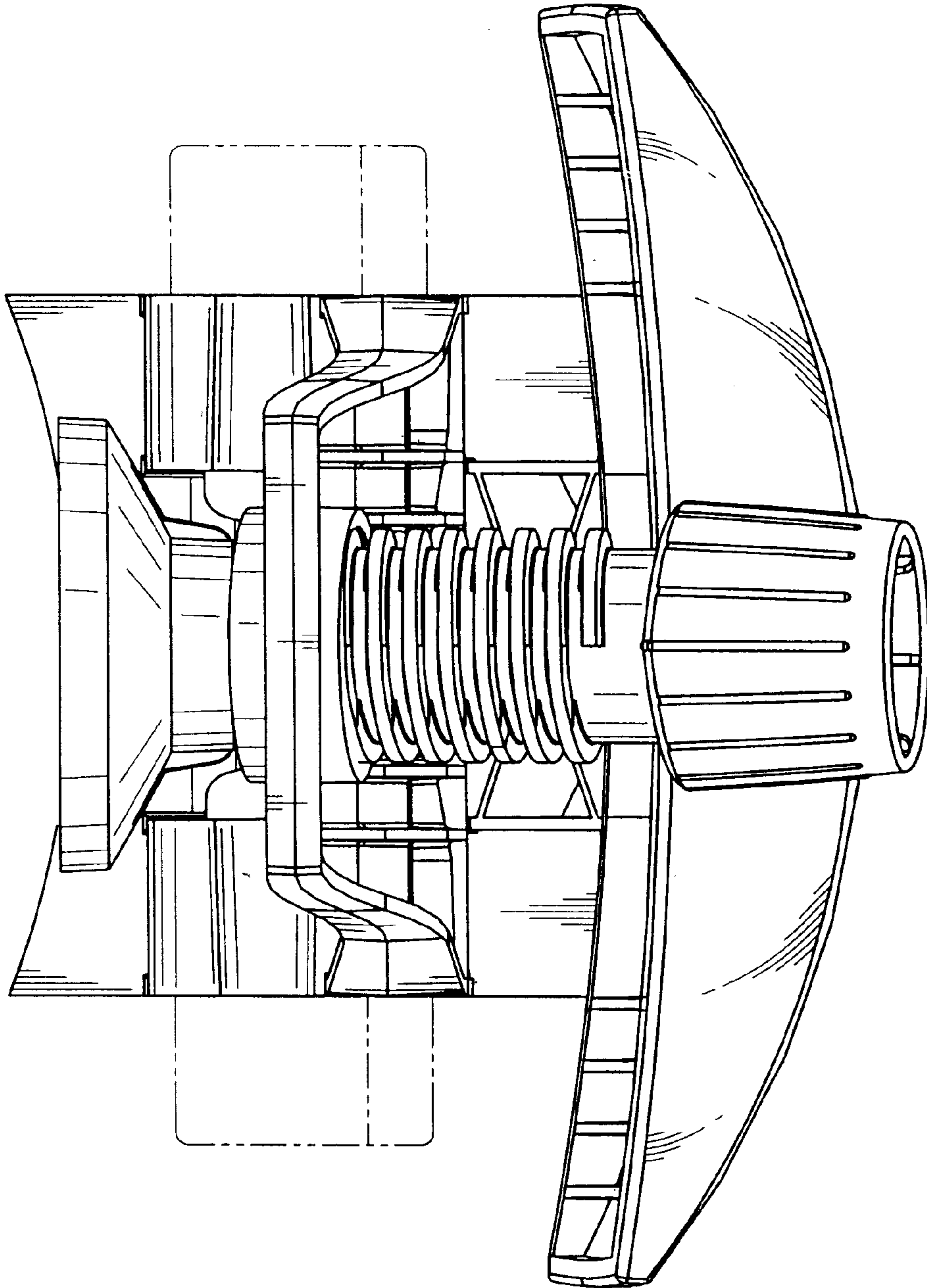
FIG. 1 is an isometric view of a preferred embodiment of a clamp illustrating the ornamental design; FIG. 2 is a rear elevational view of the preferred embodiment; FIG. 3 is a front elevational view of the preferred embodiment; FIG. 4 is a side elevational view of one side of the preferred embodiment; FIG. 5 is a side elevational view of the other side of the preferred embodiment; FIG. 6 is a top plan view of the preferred embodiment; and, FIG. 7 is a bottom view of the preferred embodiment. The broken line showing a pivot structure is for illustrative purposes and forms no part of the claimed design.

**1 Claim, 7 Drawing Sheets**

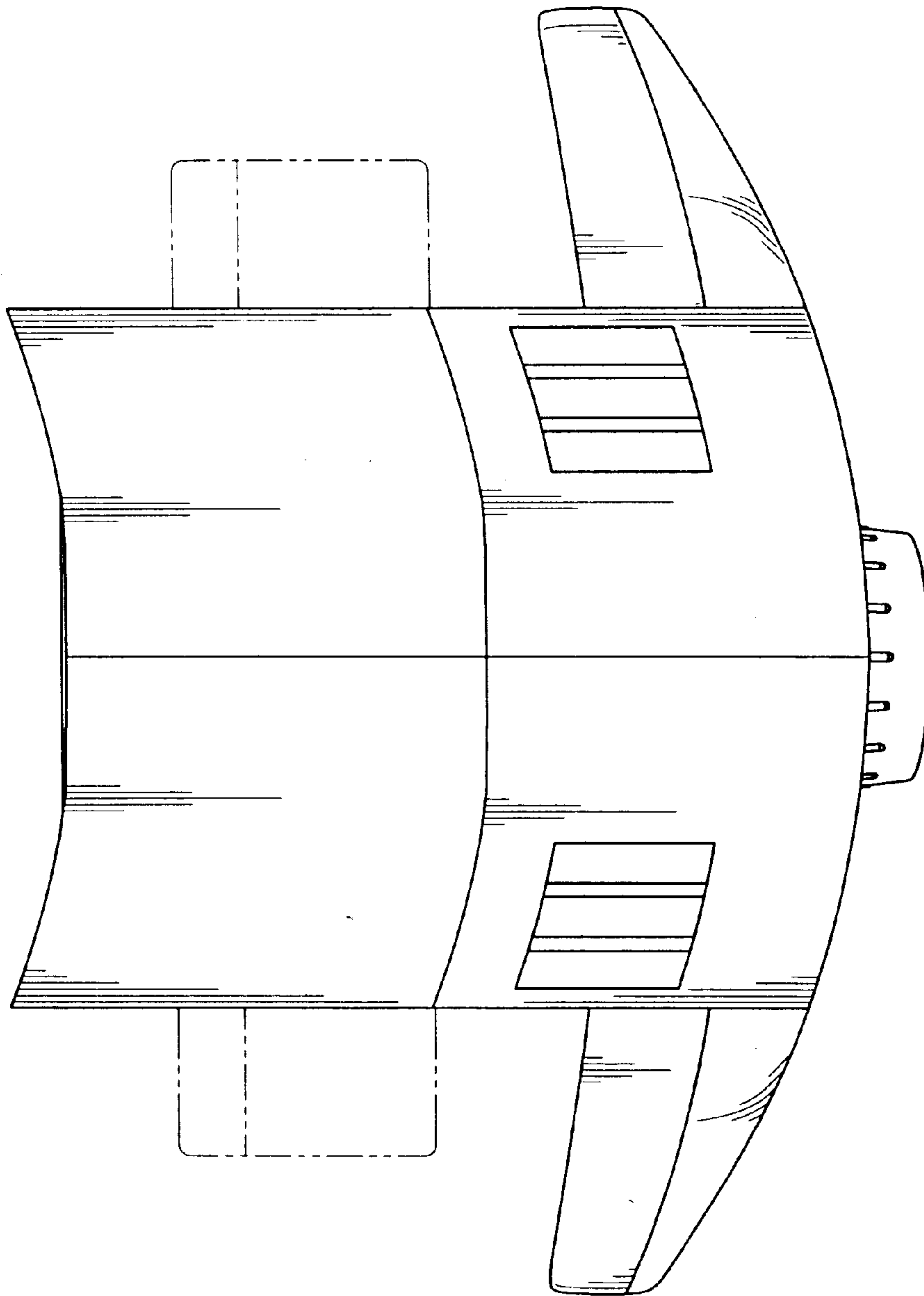




*Fig. 1*

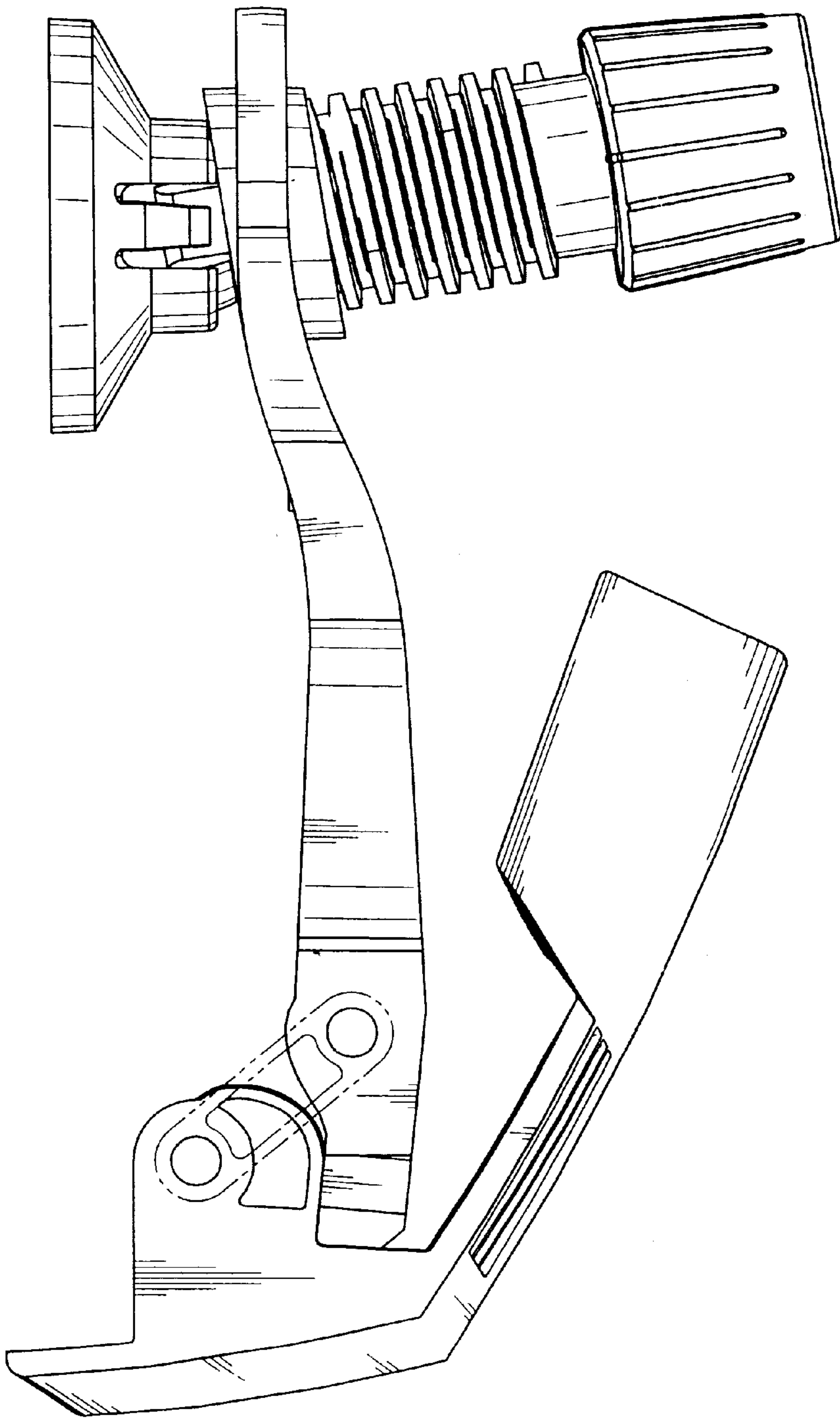


*Fig. 2*

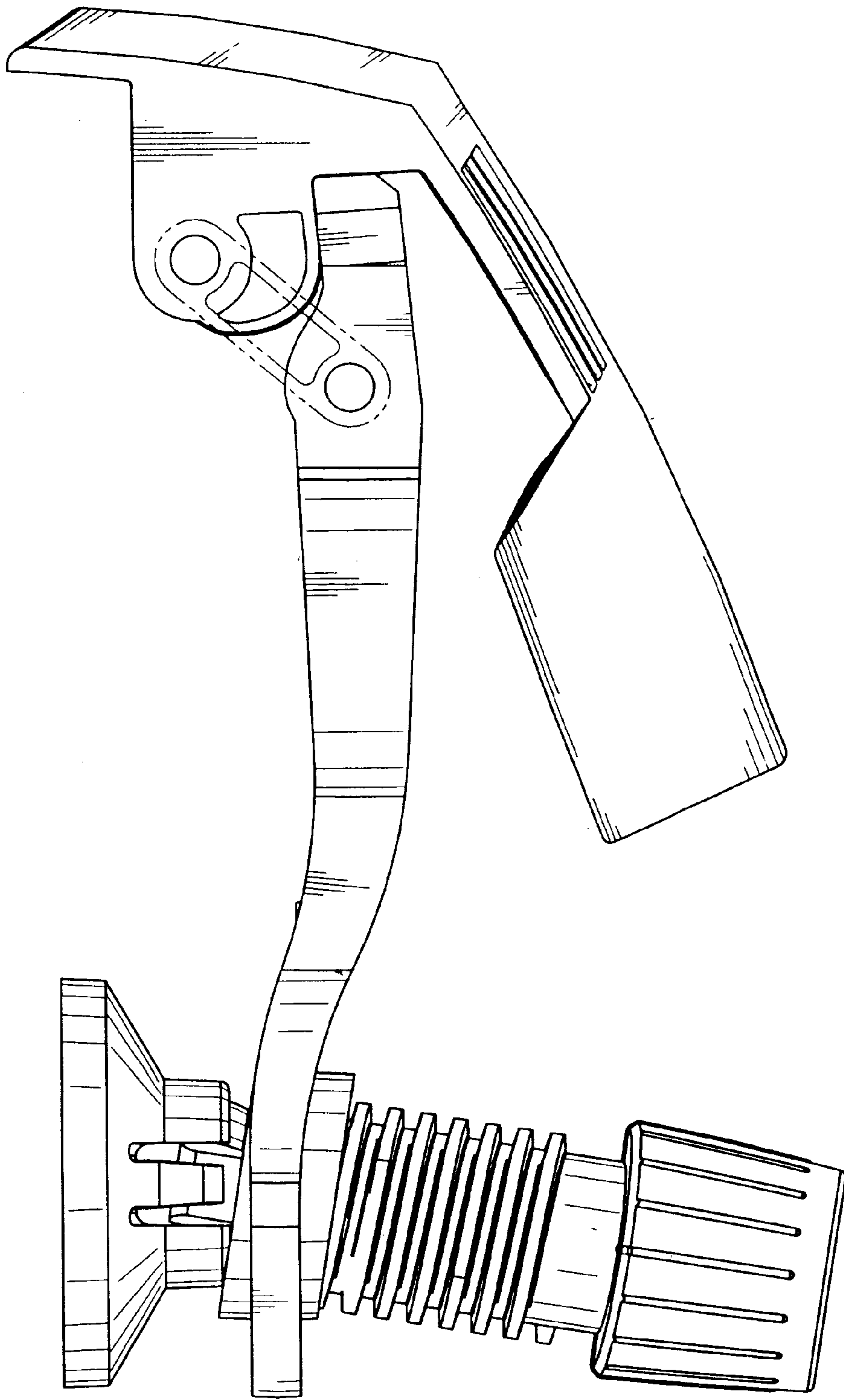


*Fig. 3*

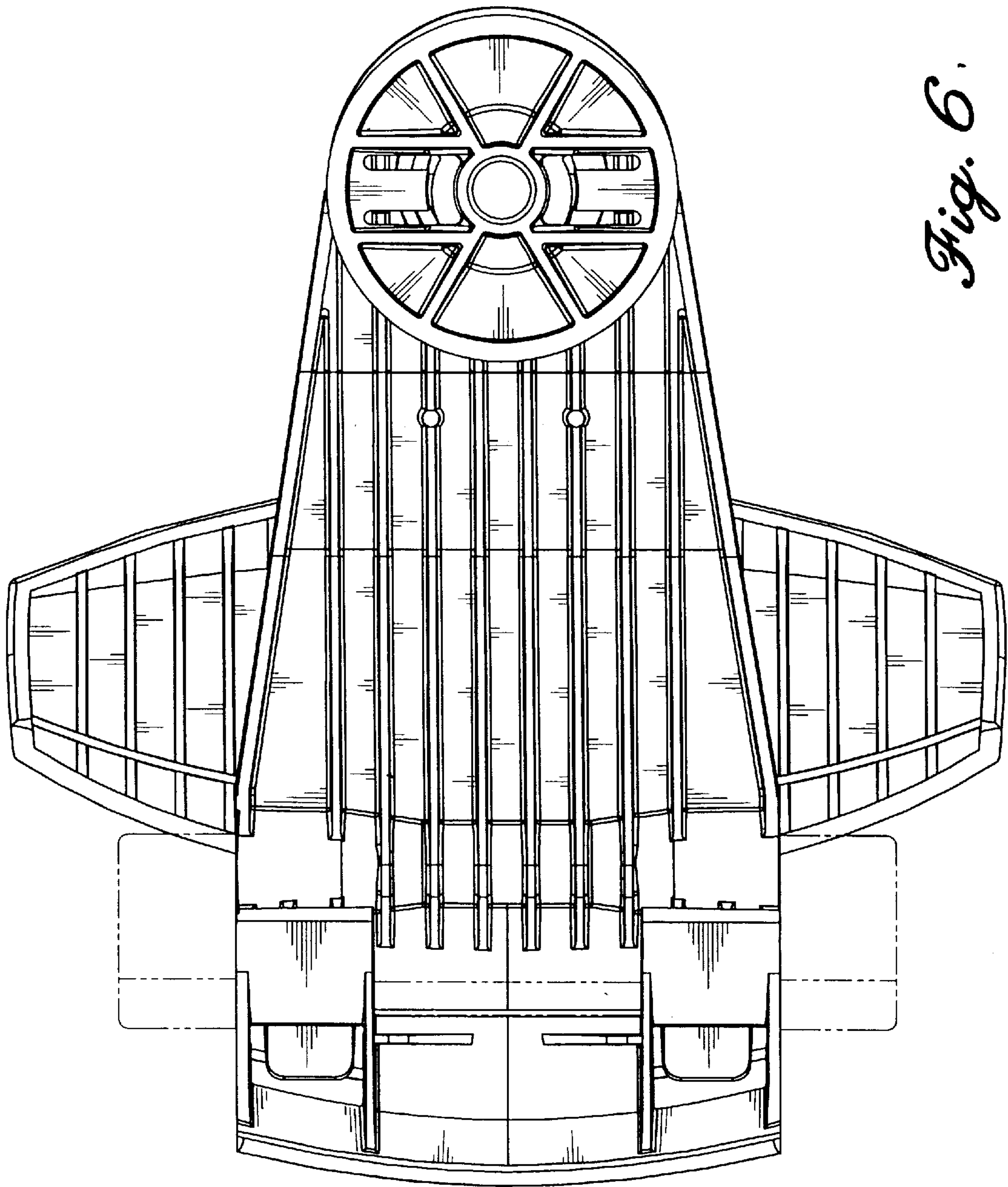




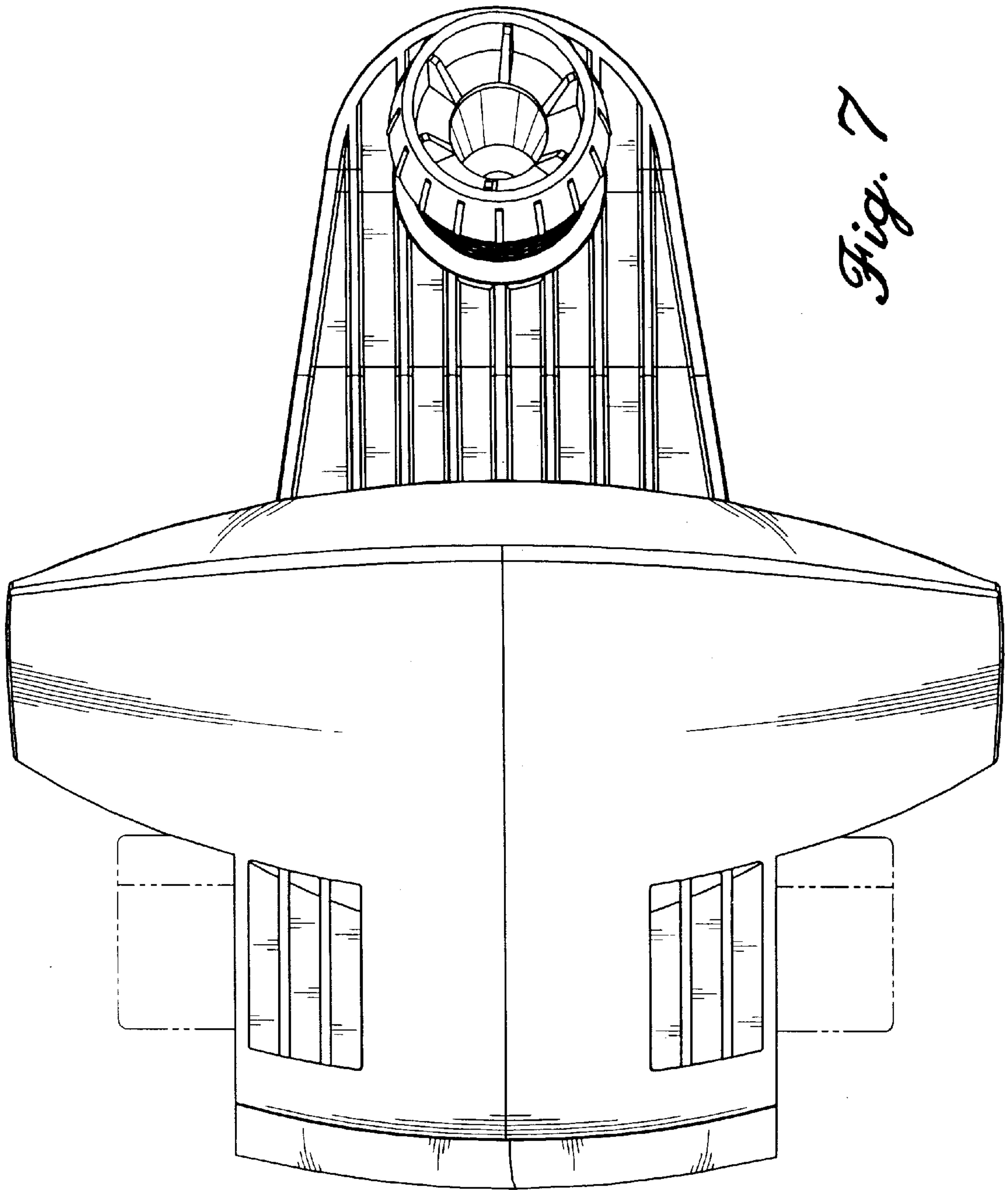
*Fig. 4*



*Fig. 5*



*Fig. 6.*



*Fig. 7*