



US00D415409S

United States Patent [19]

Pyevach, Sr.

[11] **Patent Number: Des. 415,409**

[45] **Date of Patent: ** Oct. 19, 1999**

[54] **WASTE PIPE SUPPORT CRADLE**

Primary Examiner—Holly Baynham

[76] **Inventor: Wesley E Pyevach, Sr., 1500 W. El Camino Ave. #127, Sacramento, Calif. 95833**

[57] **CLAIM**

The ornamental design for a waste pipe support cradle, as shown.

[**] **Term: 14 Years**

DESCRIPTION

[21] **Appl. No.: 29/085,251**

FIG. 1 is a left side elevational view of the waste pipe support cradle of the present invention;

[22] **Filed: Mar. 19, 1998**

FIG. 2 is a right side elevational view of the waste pipe support cradle of FIG. 1;

[51] **LOC (6) Cl. 08-05**

[52] **U.S. Cl. D8/380**

FIG. 3 is a front elevational view of the waste pipe support cradle of FIG. 1;

[58] **Field of Search D8/380, 373; 52/698; 248/68.1, 74.1, 74.4**

FIG. 4 is a back elevational view of the waste pipe support cradle of FIG. 1;

[56] **References Cited**

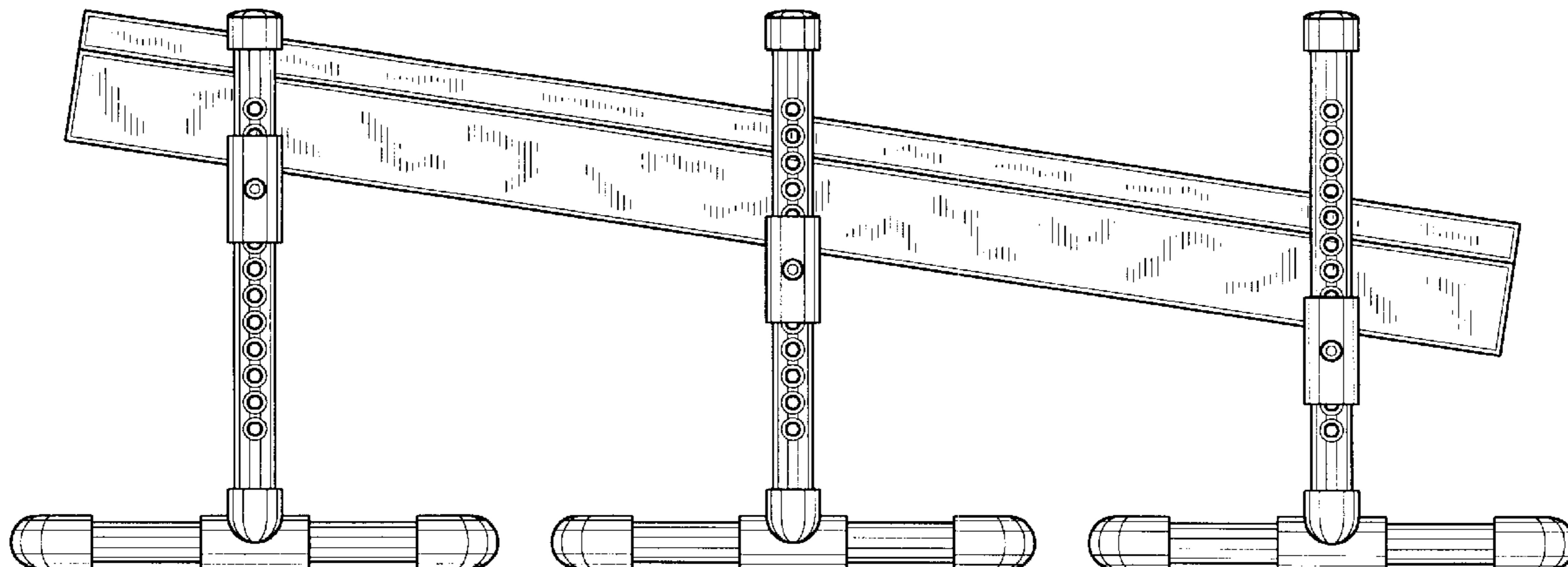
FIG. 5 is a top plan view of the waste pipe support cradle of FIG. 1; and,

U.S. PATENT DOCUMENTS

FIG. 6 is a bottom plan view of the waste pipe support cradle of FIG. 1.

D. 317,112 5/1991 Newirth et al. D8/380
5,836,130 2/1997 Unruh et al. 52/698

1 Claim, 3 Drawing Sheets



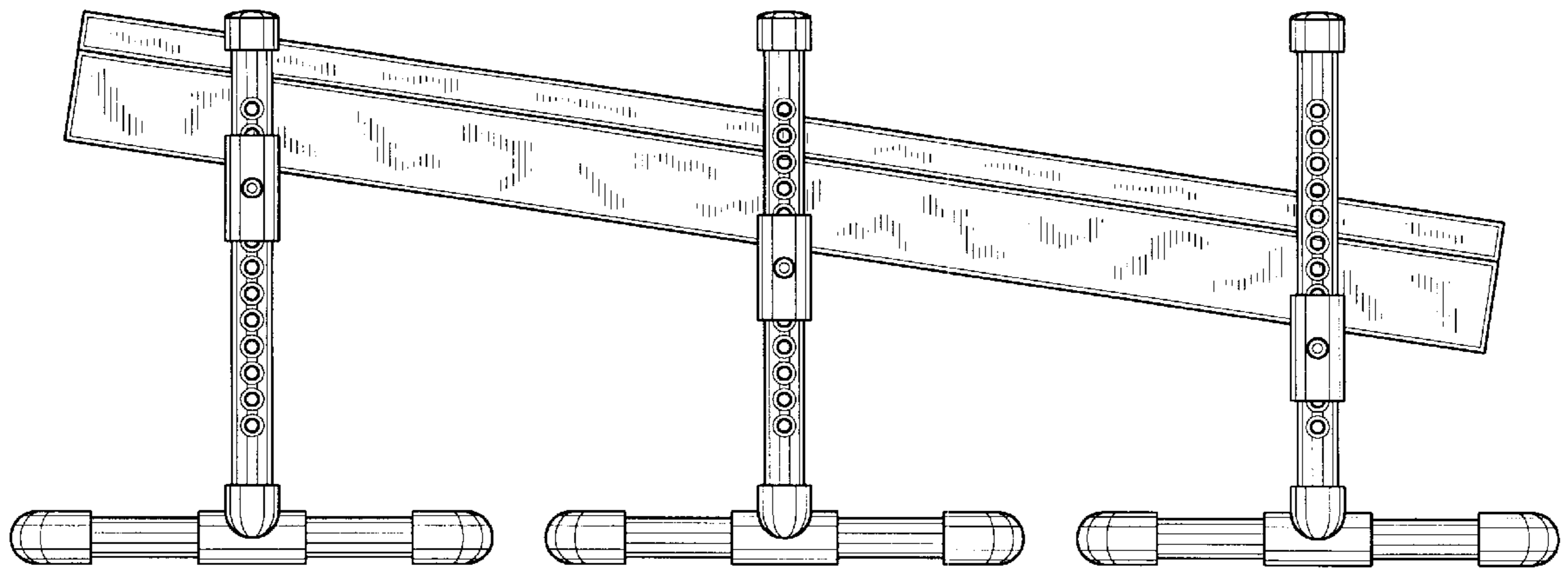


Fig. 1

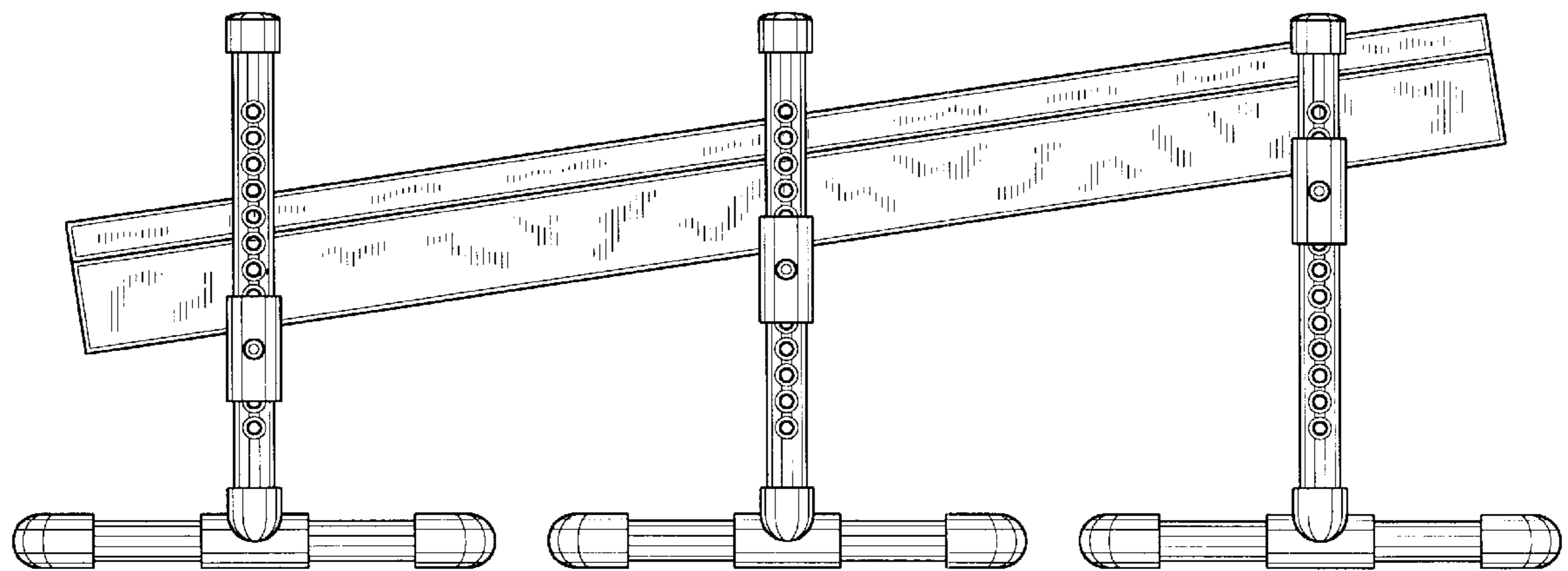


Fig. 2

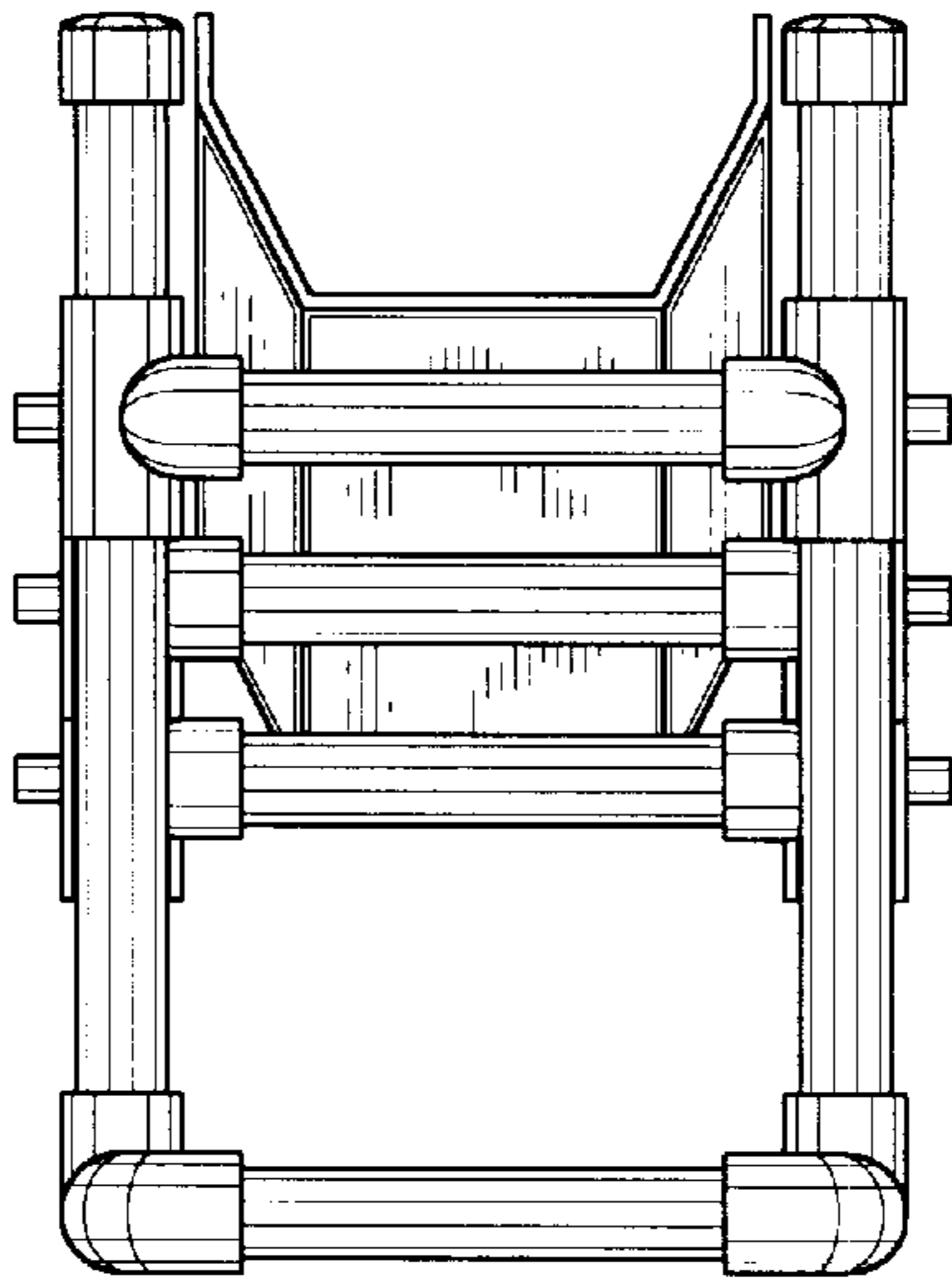


Fig. 3

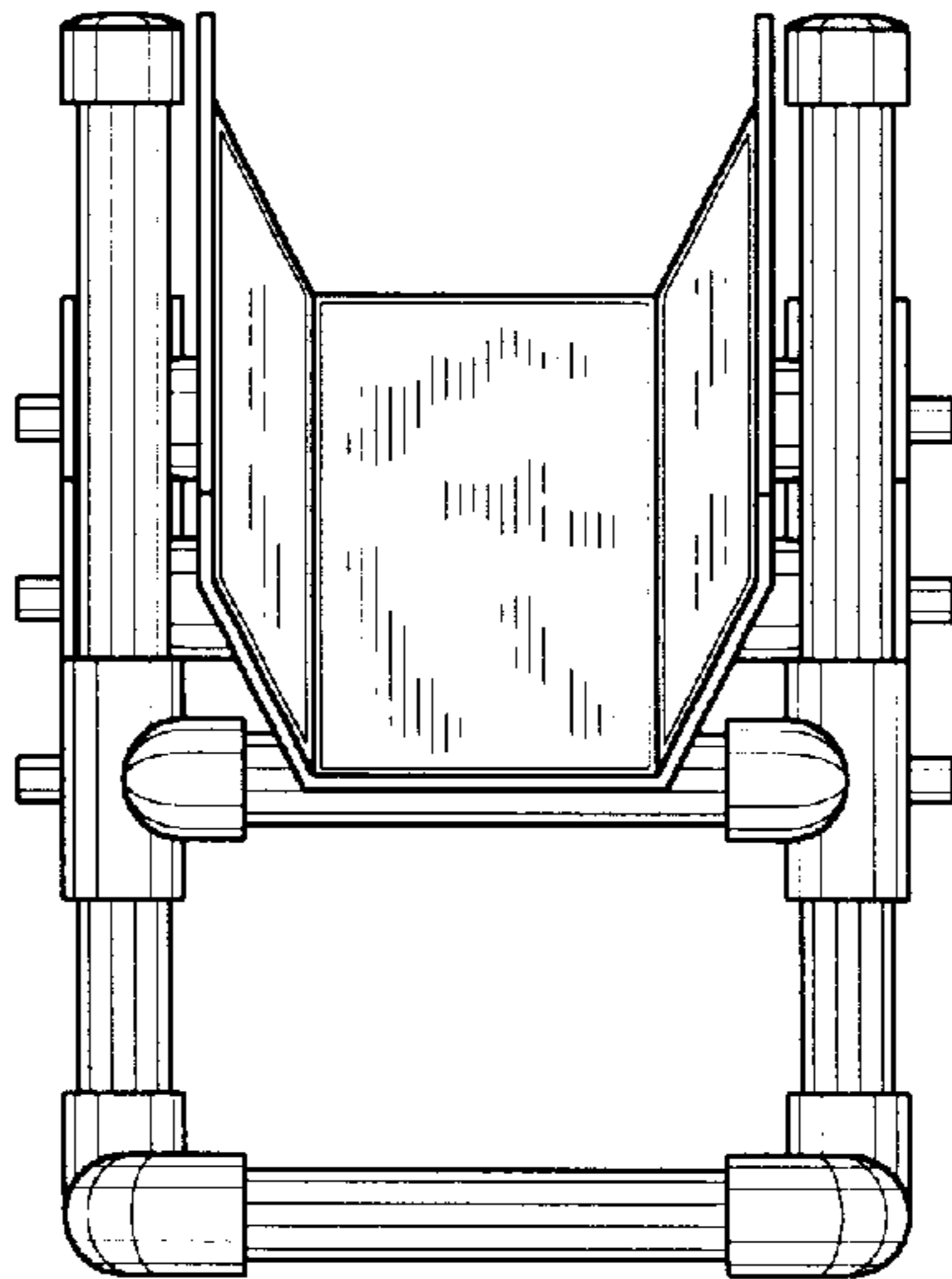


Fig. 4

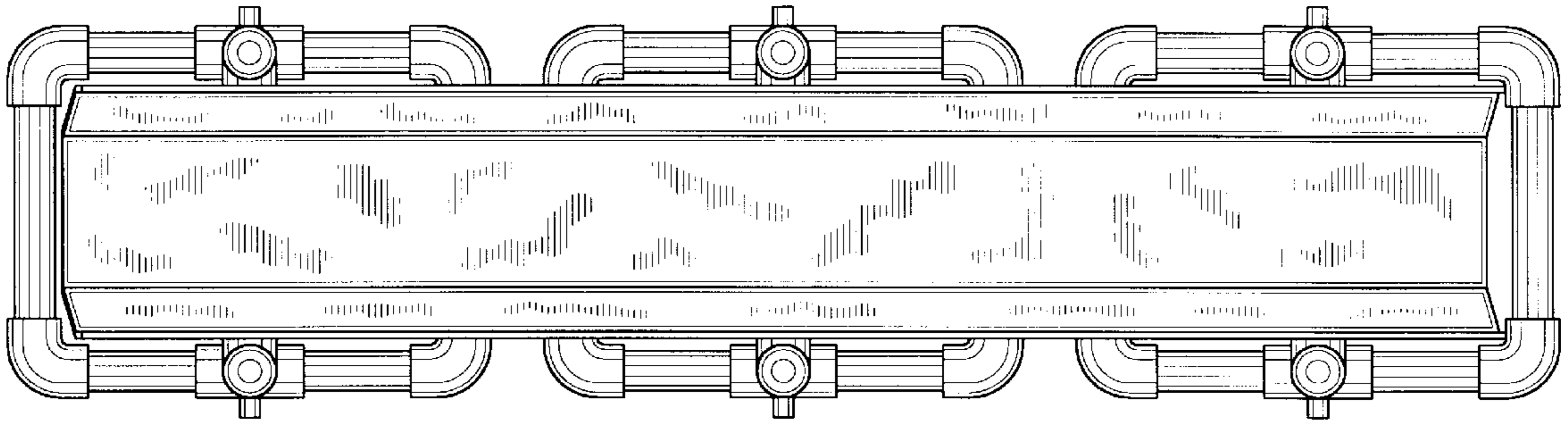


Fig. 5

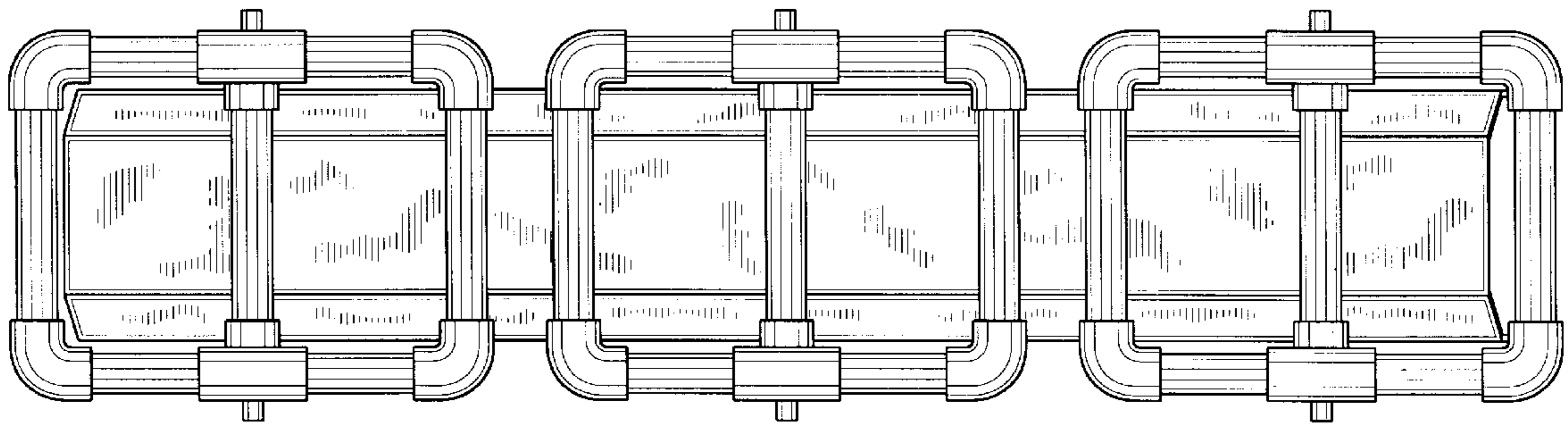


Fig. 6