



US00D415407S

United States Patent [19]

[11] **Patent Number: Des. 415,407**

Ducker

[45] **Date of Patent: ** Oct. 19, 1999**

[54] **POT STACKING DEVICE**

Primary Examiner—Holly Baynham

[76] Inventor: **Dudley A. Ducker**, 2706 Cliffwood La.,
Fort Wayne, Ind. 46825

[57] **CLAIM**

[**] Term: **14 Years**

The ornamental design for a pot stacking device, as shown and described.

[21] Appl. No.: **29/080,782**

DESCRIPTION

[22] Filed: **Dec. 18, 1997**

FIG. 1 is an environmental perspective view of a pot stacking device with the broken line showing of two pots being for illustrative purposes and forming no part of the claimed design;

[51] **LOC (6) Cl.** **08-05**

[52] **U.S. Cl.** **D8/354**

[58] **Field of Search** D8/349, 354, 374;
248/346.01, 346.11, 188.1–188.2, 188.8

FIG. 2 is a perspective view of a second embodiment of the design shown in FIG. 1;

FIG. 3 is a perspective view of the design shown in FIG. 1;

FIG. 4 is a side view of the device resting on its flat side.

FIG. 5 is a plan view of the top and bottom of the device.

FIG. 6 is a front elevation thereof; and,

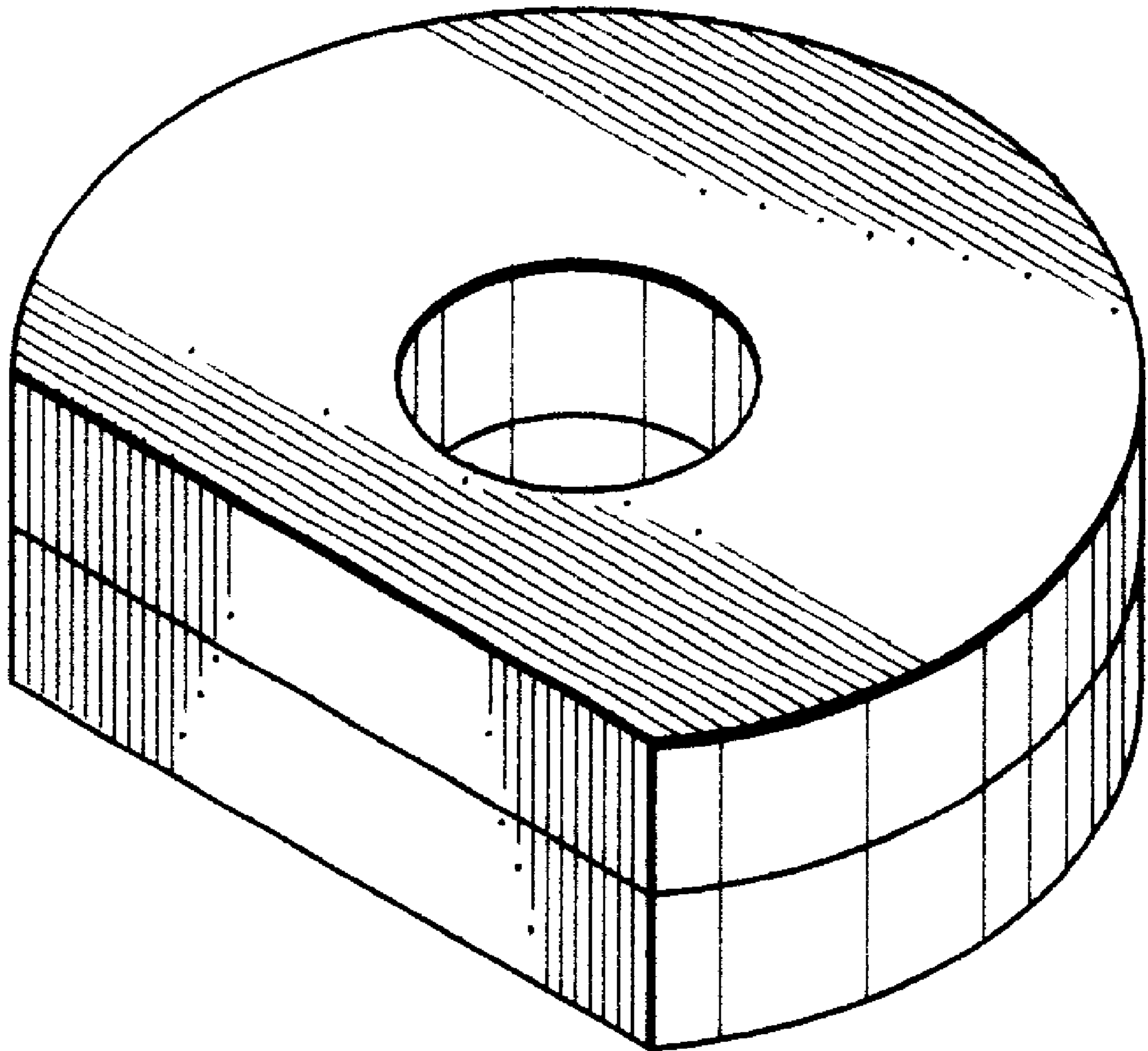
FIG. 7 is a rear elevation thereof.

[56] **References Cited**

U.S. PATENT DOCUMENTS

D. 371,958	7/1996	Keaton	D8/374
D. 373,070	8/1996	Kriegstein	D8/354
D. 376,753	12/1996	Nakamura	D8/374
508,176	11/1893	Leggett	248/346.01

1 Claim, 1 Drawing Sheet



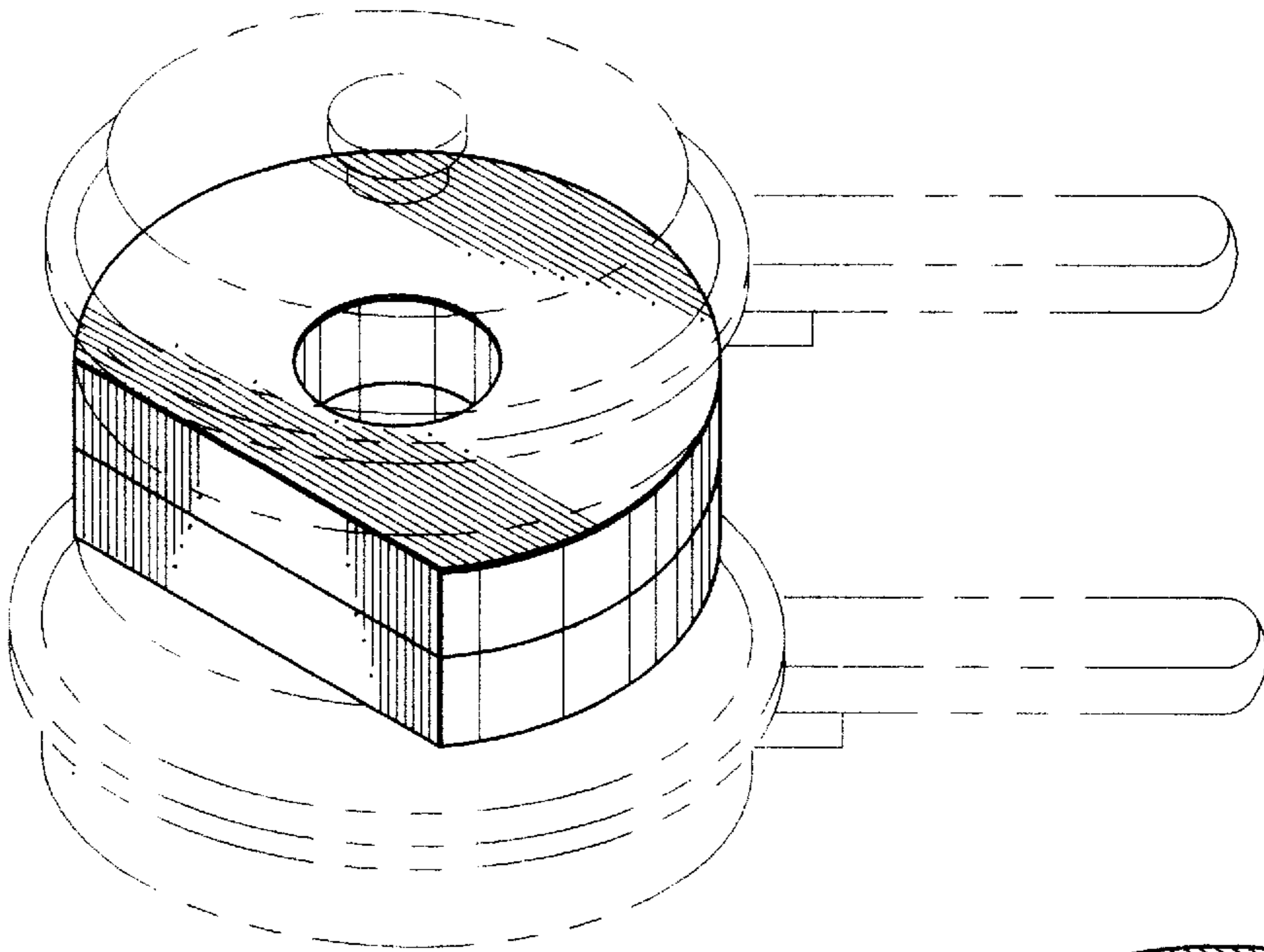


FIG. 1

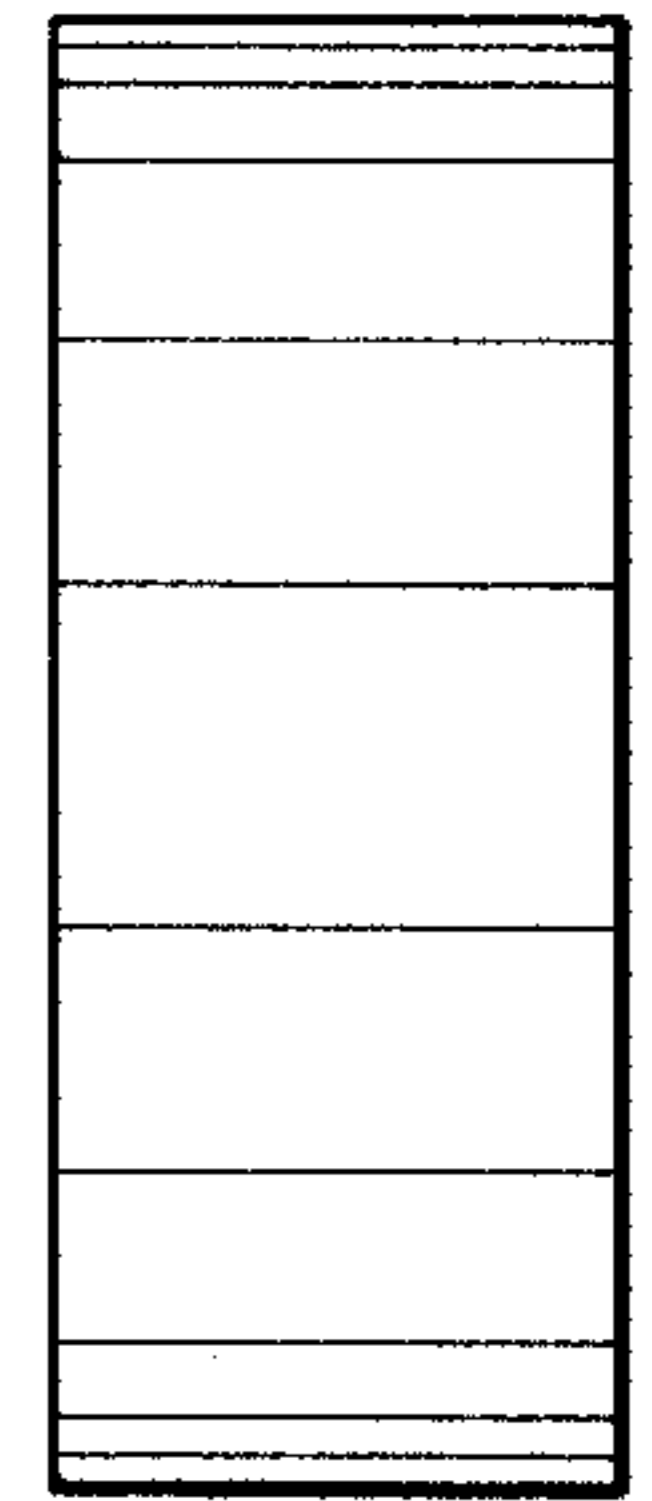


FIG. 4

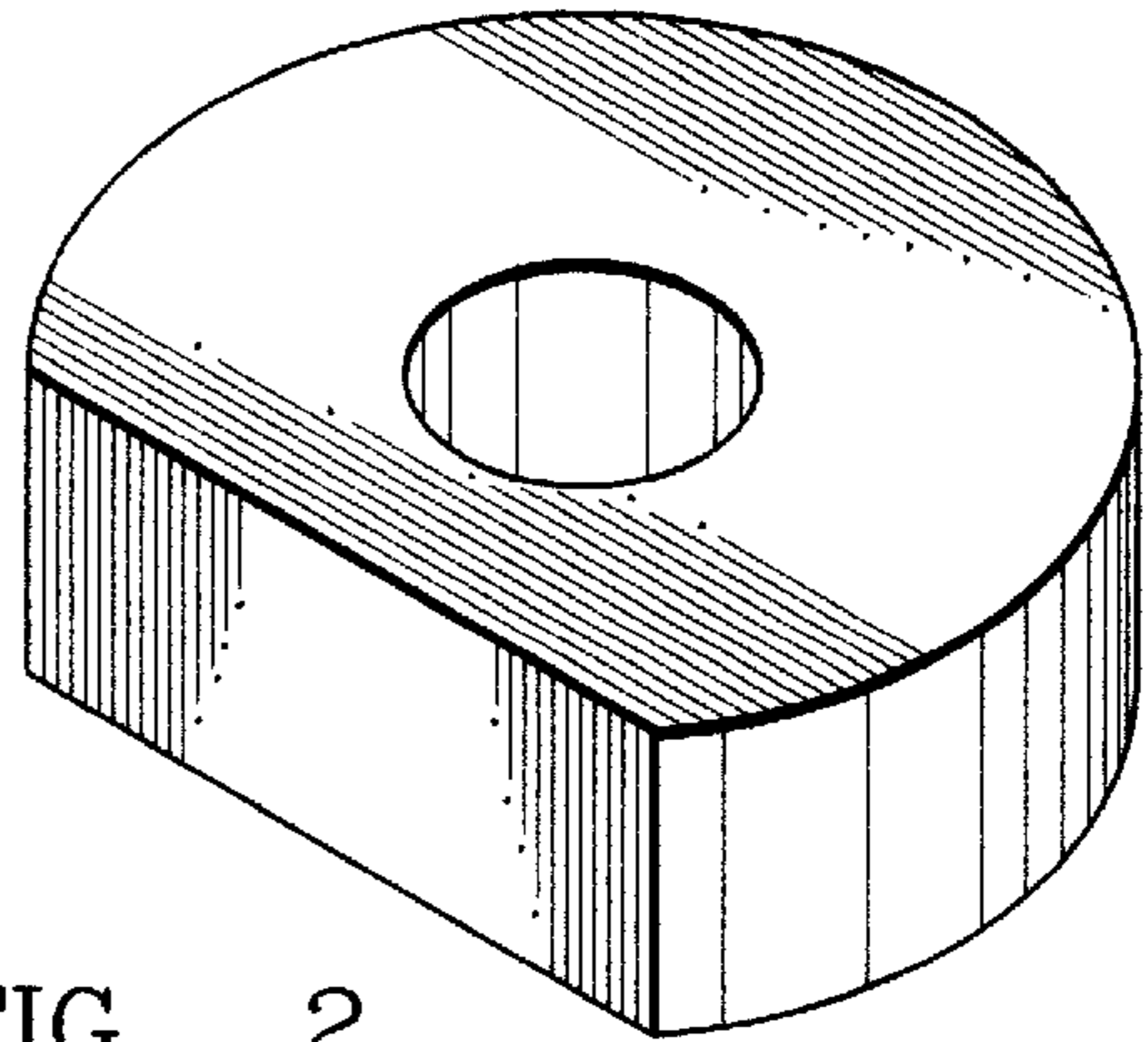


FIG. 2

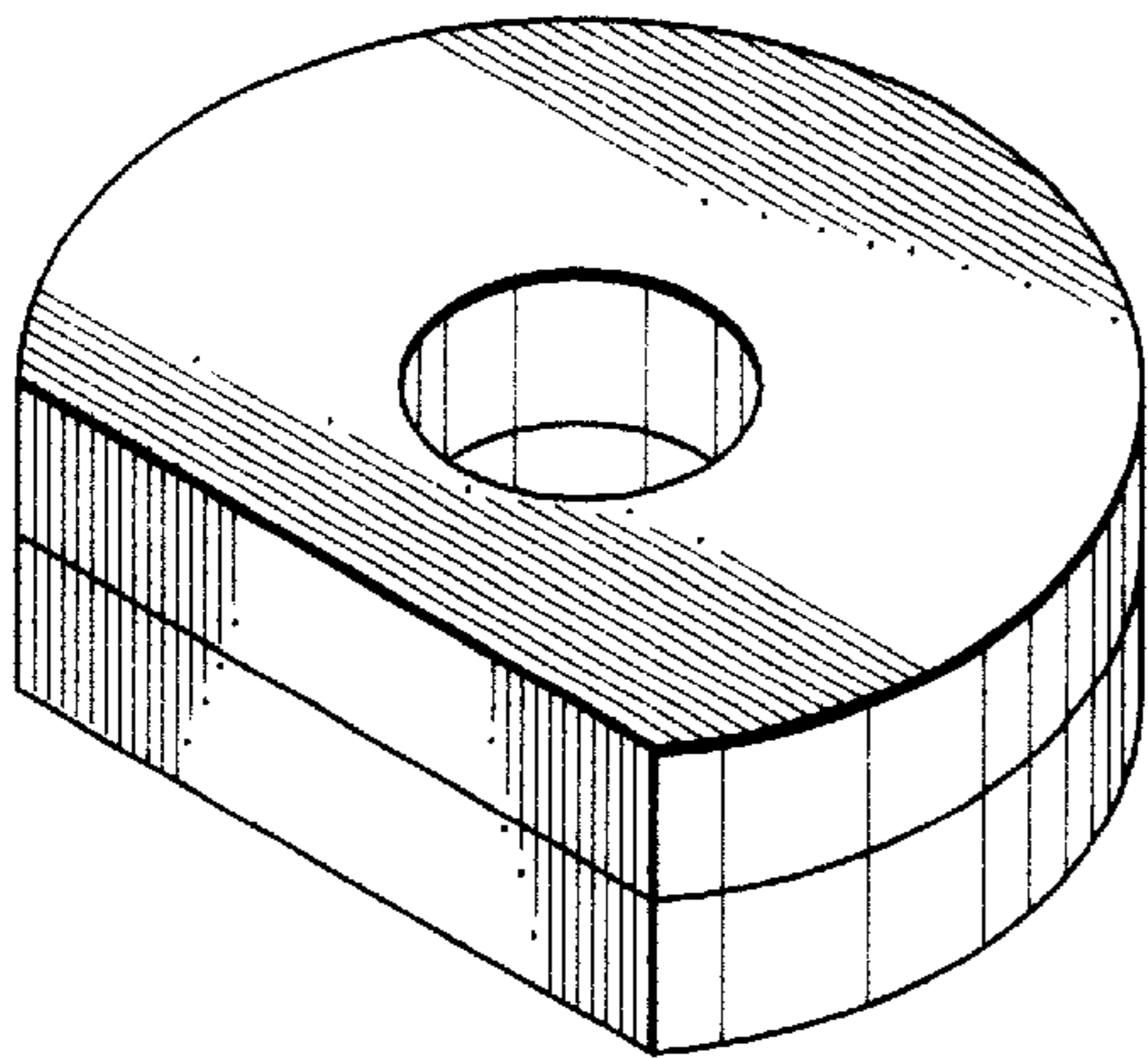


FIG. 3

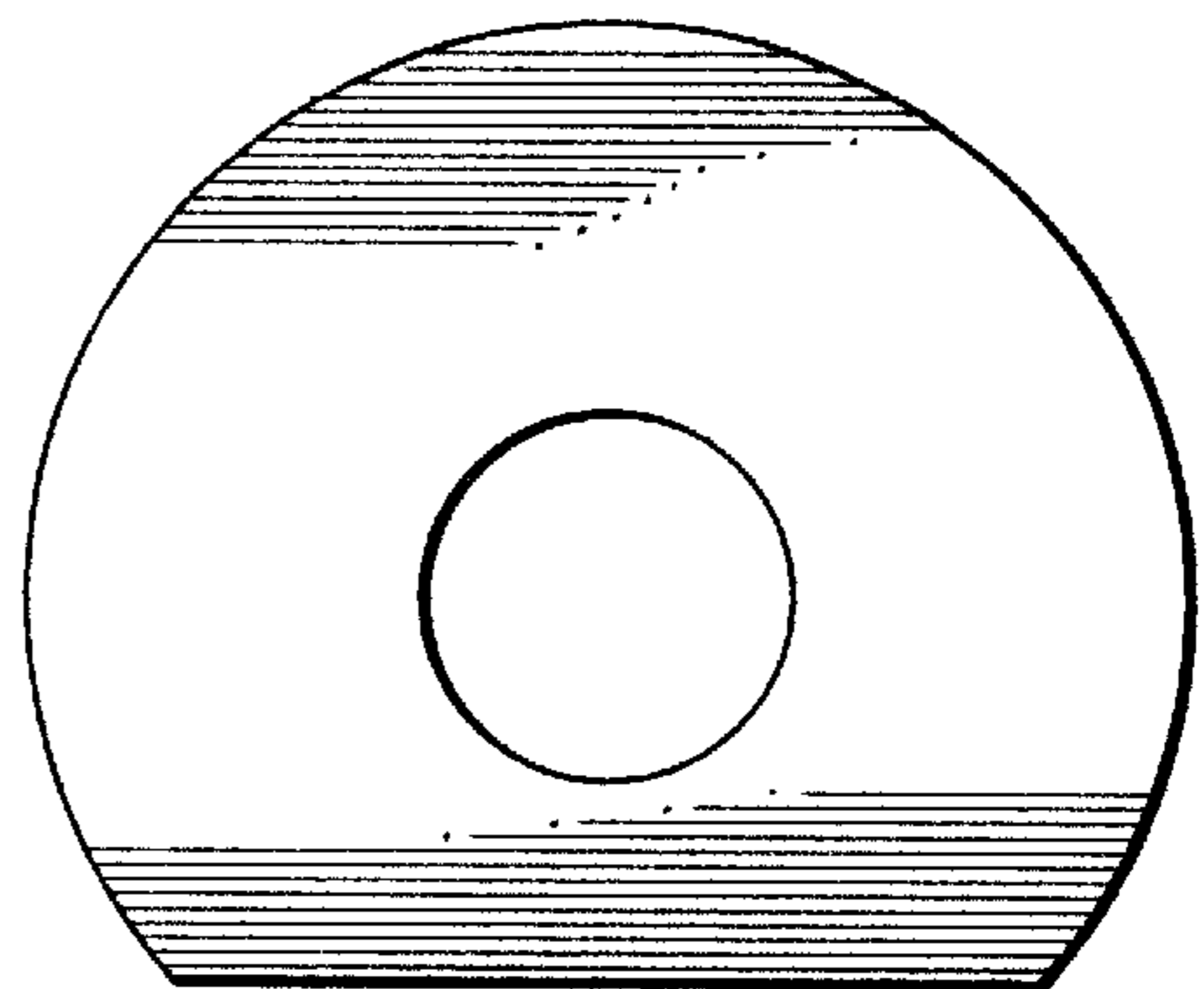


FIG. 5

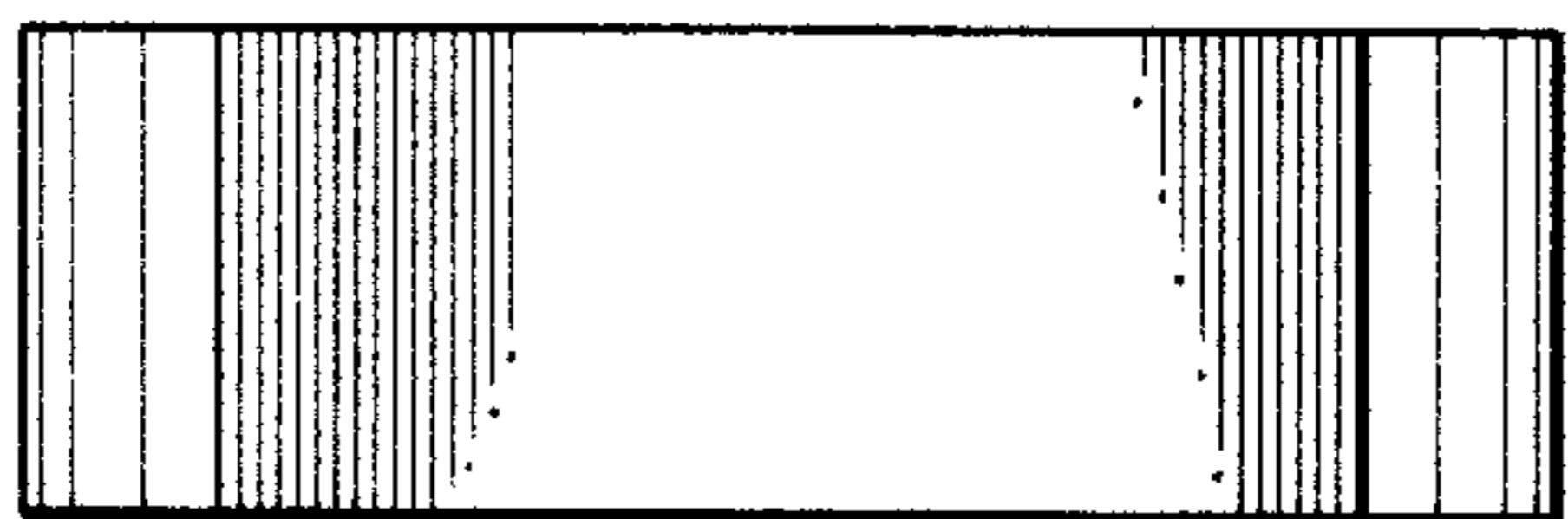


FIG. 6

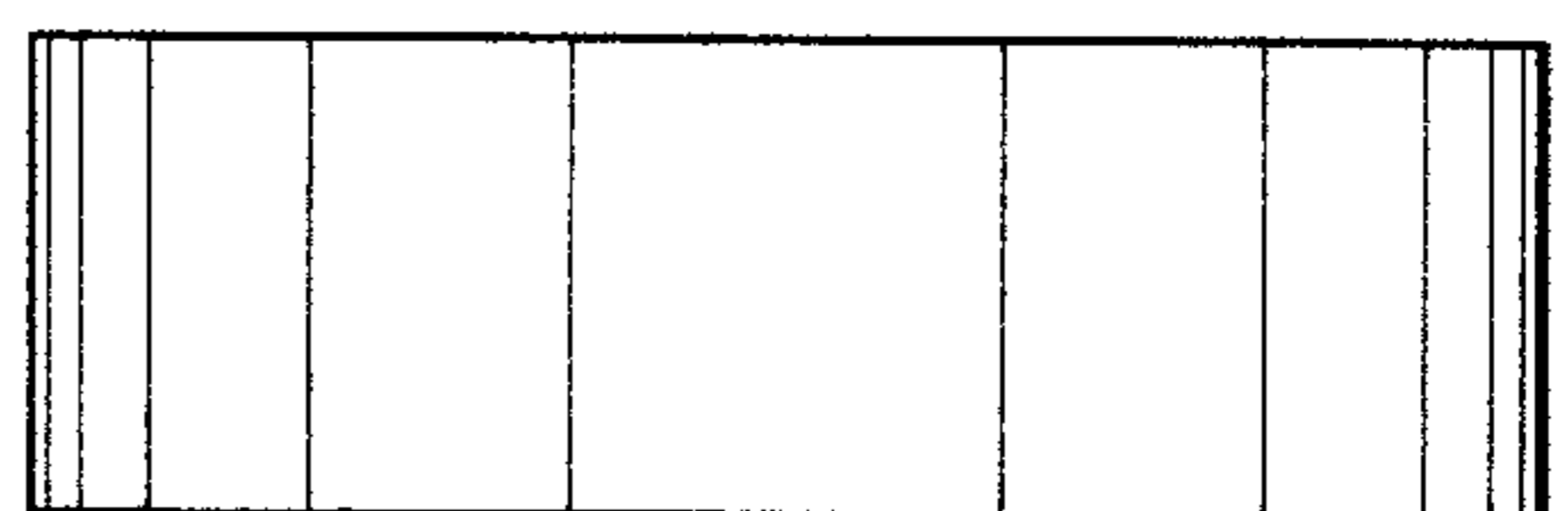


FIG. 7