



US00D415406S

United States Patent [19]

[11] Patent Number: Des. 415,406

Weinerman et al.

[45] Date of Patent: ** Oct. 19, 1999

[54] FACE PORTIONS OF HOUSING AND HANDLE ASSEMBLIES FOR LATCHES AND LOCKS

[75] Inventors: Lee S. Weinerman, Medina; Scott A. Arthurs, Brunswick, both of Ohio

[73] Assignee: The Eastern Company, Cleveland, Ohio

[**] Term: 14 Years

[21] Appl. No.: 29/097,282

[22] Filed: Dec. 3, 1998

[51] LOC (6) Cl. 08-07

[52] U.S. Cl. D8/331

[58] Field of Search D8/330, 331, 343; 292/5, 7, 35, 42, 175, 116, 337, 137, 145, 166, DIG. 37, DIG. 30, DIG. 23, DIG. 53, DIG. 31; 70/118, 457, 158, 208, 209, 210, 83, 77, 89, 91

[56] References Cited

U.S. PATENT DOCUMENTS

| | | | | |
|------------|---------|------------------|-------|--------|
| D. 371,502 | 7/1996 | Morris | | D8/331 |
| D. 383,664 | 9/1997 | Bennett | | D8/331 |
| D. 396,397 | 7/1998 | Swan | | D8/331 |
| 608,601 | 8/1898 | Henneberg et al. | . | |
| 907,493 | 12/1908 | Gunther | . | |
| 981,843 | 1/1911 | Davis | . | |
| 1,137,828 | 5/1915 | Anderson | . | |
| 1,374,732 | 4/1921 | Hamilton | . | |
| 2,729,089 | 1/1956 | Pelcin | | 70/151 |
| 2,735,706 | 2/1956 | Pelcin | | 292/34 |
| 2,825,219 | 3/1958 | Marzillier | | 70/146 |
| 3,333,878 | 8/1967 | Pelcin | | 292/37 |
| 3,953,061 | 4/1976 | Hansen et al. | | 292/5 |
| 4,470,277 | 9/1984 | Uyeda | | 70/118 |

(List continued on next page.)

OTHER PUBLICATIONS

Eberhard Manufacturing Co., "Catalog 107", 1996, pp. 71,72, Depicting The No. 56 Dead Bolt Latch.

Primary Examiner—Pamela Burgess

Attorney, Agent, or Firm—David A. Burge

[57] CLAIM

We claim the ornamental design for face portions of housing and handle assemblies for latches and locks, as shown and described.

DESCRIPTION

FIG. 1 is a front perspective view of face portions of housing and handle assemblies for latches and locks showing our new design;

FIG. 2 is a front elevational view thereof;

FIG. 3 is a side elevational view thereof, the opposite side being identical;

FIG. 4 is an end elevational view thereof, the opposite end being identical;

FIG. 5 is a front perspective view thereof, with the slide handles shown in an alternate position;

FIG. 6 is a cross-sectional view thereof, taken along line 6—6 shown in FIG. 1;

FIG. 7 is a cross-sectional view thereof, taken along line 7—7 shown in FIG. 5;

FIG. 8 is a front perspective view of a second embodiment of FIG. 1;

FIG. 9 is a front elevational view thereof;

FIG. 10 is a side elevational view thereof, as seen from a plane indicated by line 10—10 in FIG. 9;

FIG. 11 is a side elevational view thereof, as seen from a plane indicated by line 11—11 in FIG. 11;

FIG. 12 is a right end view thereof, the undisclosed left end being a mirror image;

FIG. 13 is a front perspective view of a third embodiment of FIG. 1;

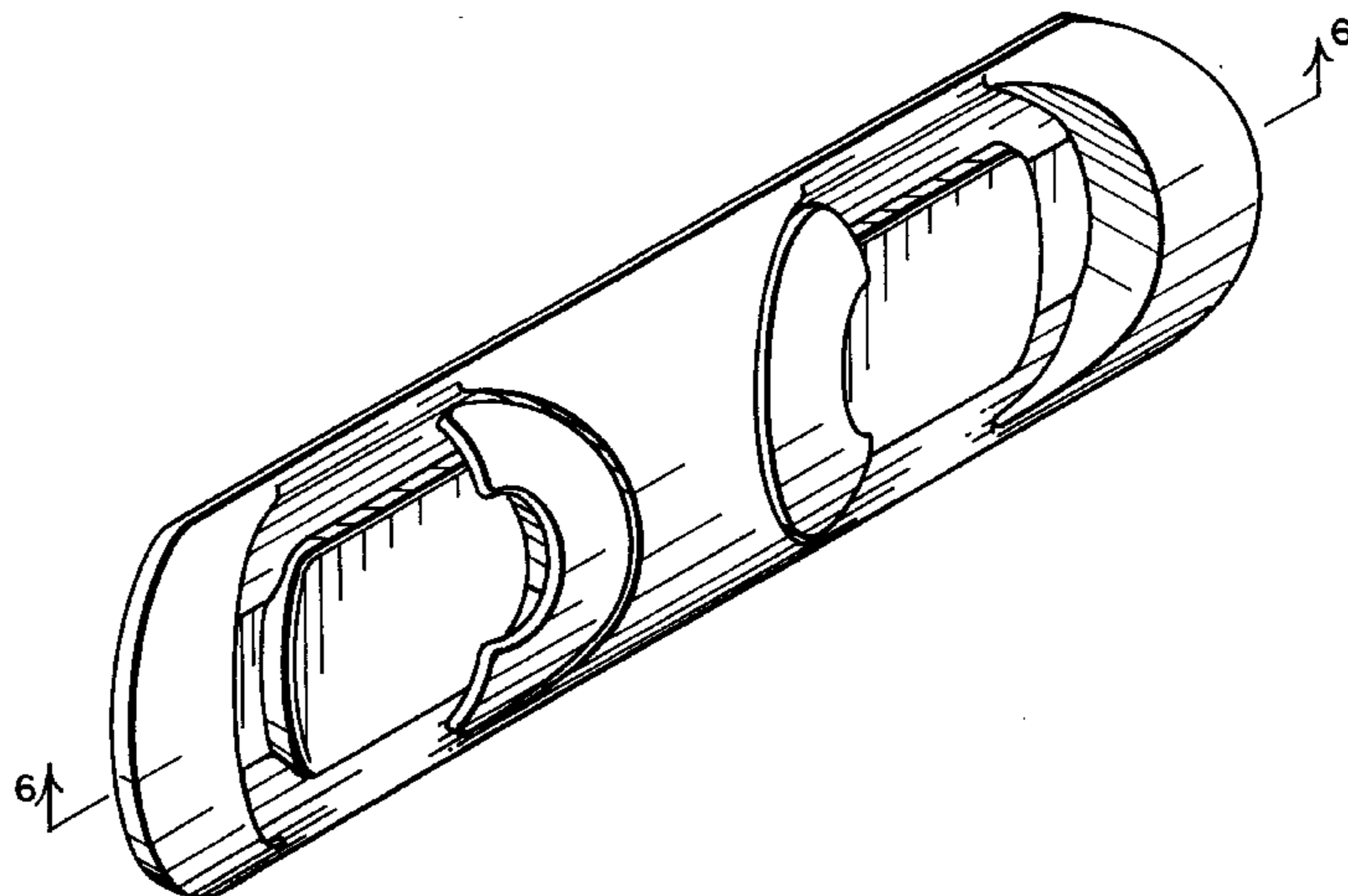
FIG. 14 is a front elevational view thereof;

FIG. 15 is a side elevational view thereof, as seen from a plane indicated by line 15—15 in FIG. 14;

FIG. 16 is a side elevational view thereof, as seen from a plane indicated by line 16—16 in FIG. 14; and,

FIG. 17 is a right end view thereof, the undisclosed left end being a mirror image.

1 Claim, 7 Drawing Sheets

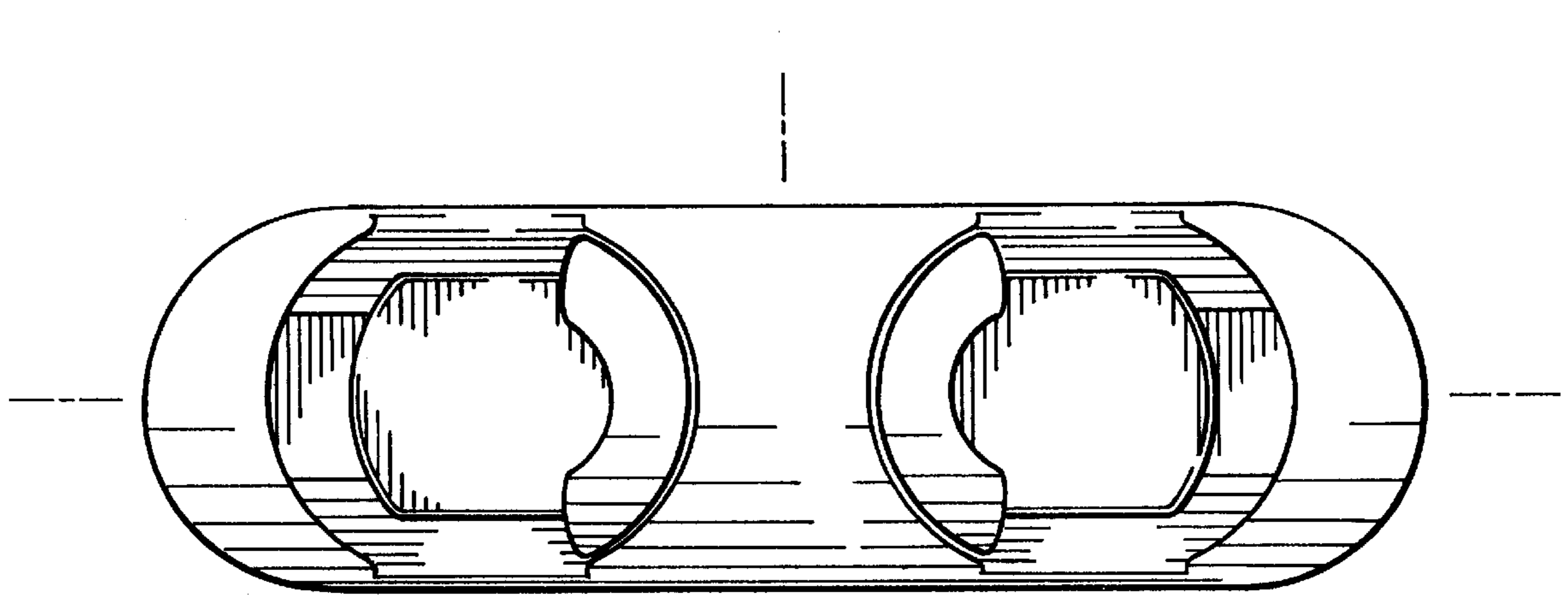
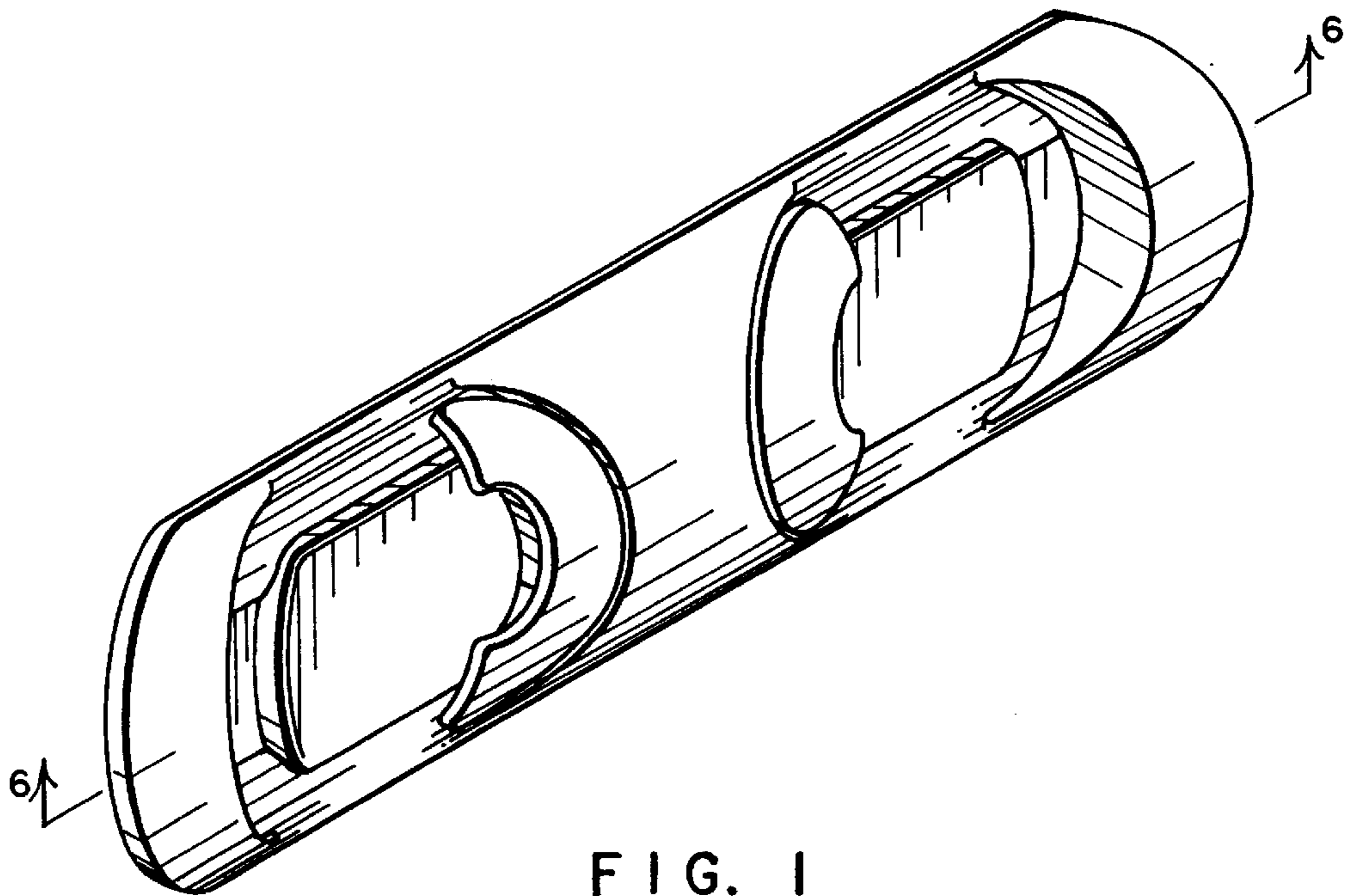


Des. 415,406

Page 2

U.S. PATENT DOCUMENTS

| | | | | | | | | | | |
|-----------|---------|--------|-------|---------|---|-----------|--------|------------------|-------|---------|
| 4,475,311 | 10/1984 | Gibson | | 292/175 | X | 4,850,209 | 7/1989 | Weinerman et al. | | 70/208 |
| 4,639,021 | 1/1987 | Hope | | 292/7 | | 4,892,338 | 1/1990 | Weinerman et al. | | 292/35 |
| 4,641,865 | 2/1987 | Pastua | | 292/5 | | 5,121,951 | 6/1992 | Harbom et al. | | 292/175 |
| 4,669,765 | 6/1987 | Ullman | | 292/175 | X | 5,139,291 | 8/1992 | Schultz | | 292/337 |
| 4,678,212 | 7/1987 | Rubio | | 292/7 | | 5,595,076 | 1/1997 | Weinerman et al. | | 70/208 |
| | | | | | | 5,671,958 | 9/1997 | Szapucki et al. | | 292/175 |



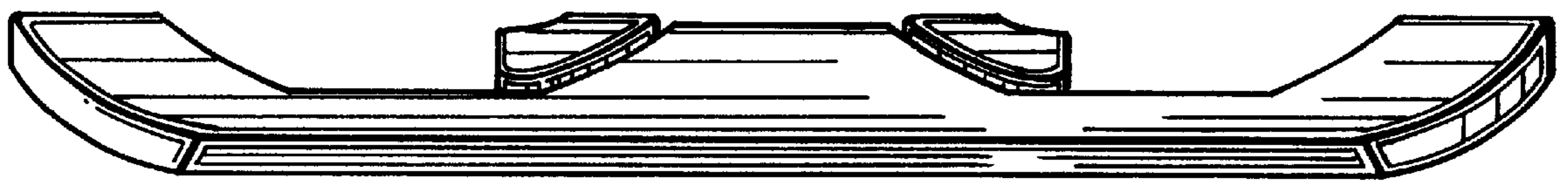


FIG. 3

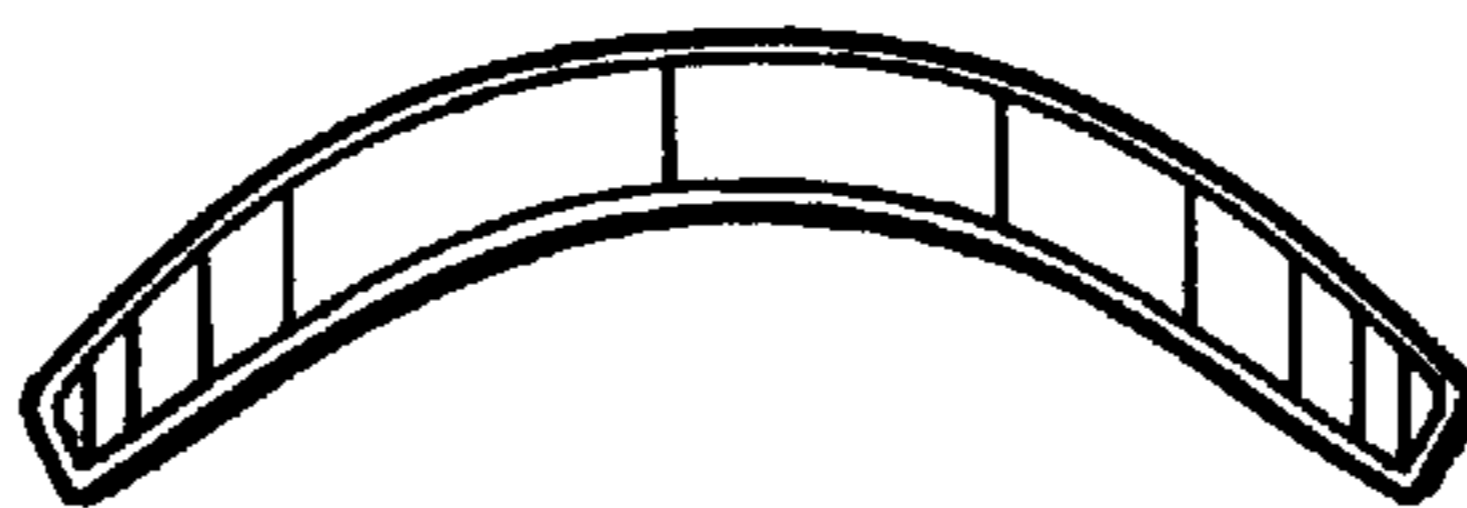


FIG. 4

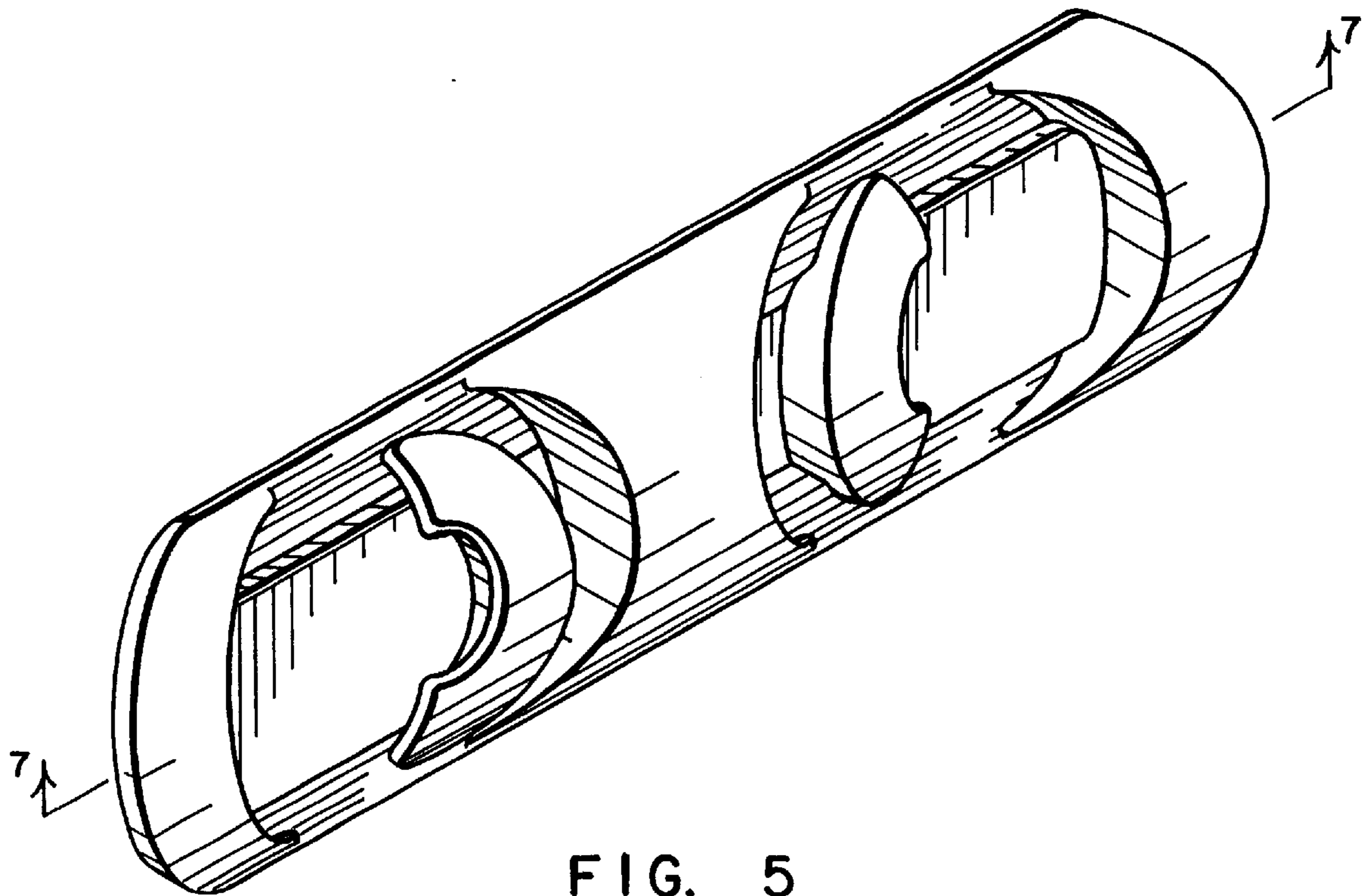


FIG. 5



FIG. 6



FIG. 7

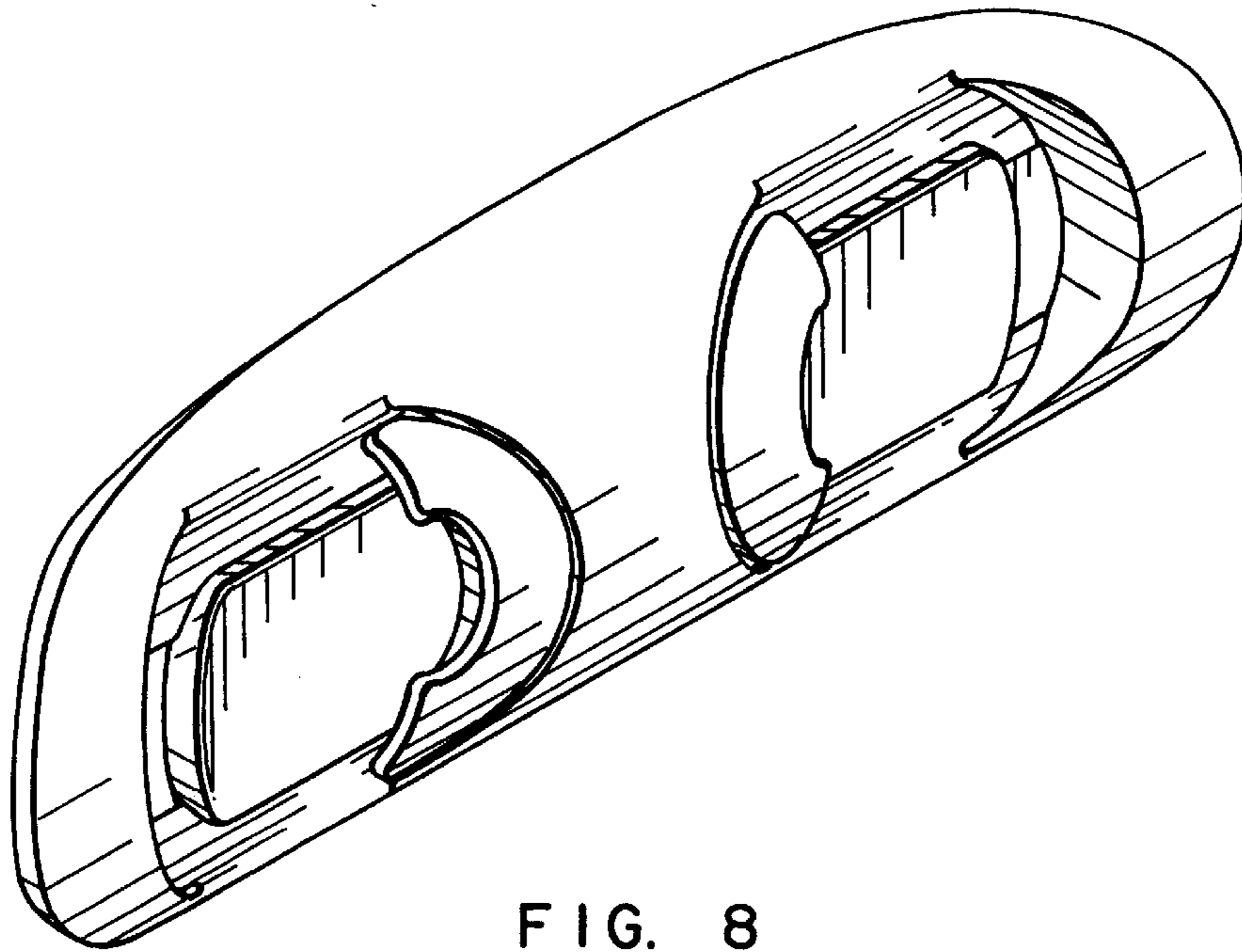


FIG. 8

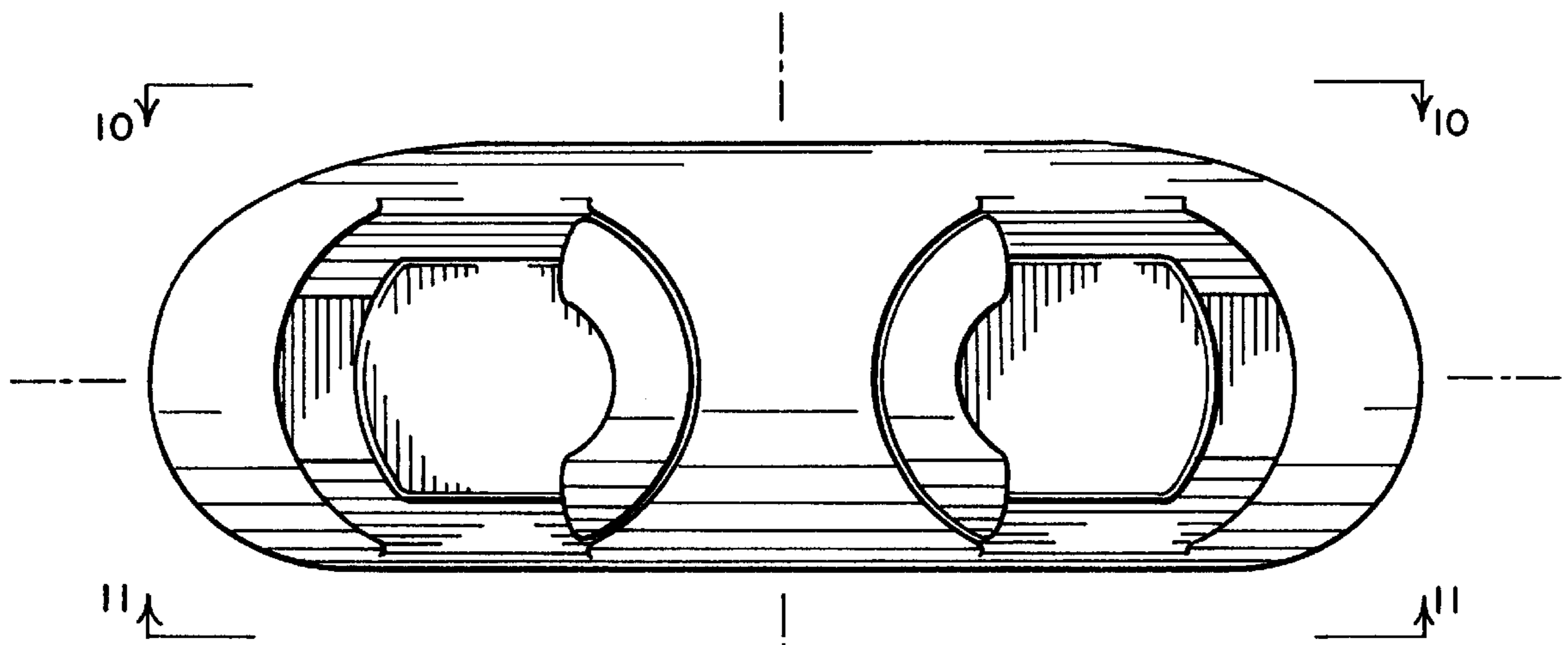


FIG. 9

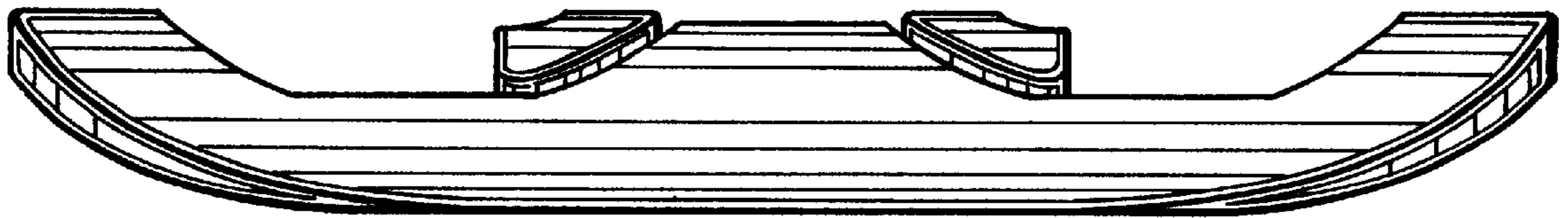


FIG. 10

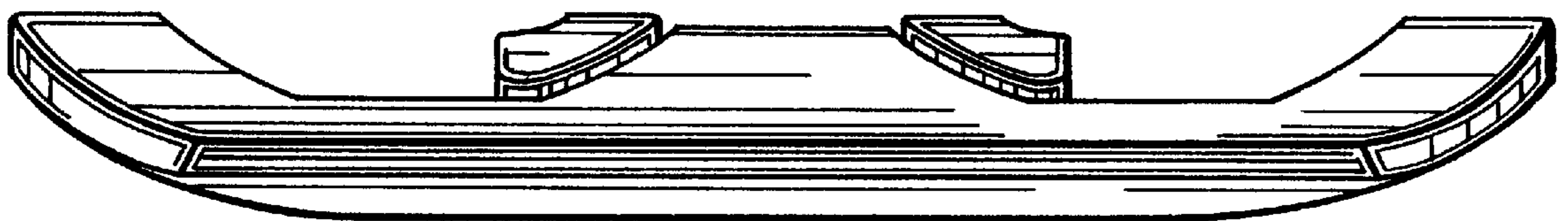


FIG. 11

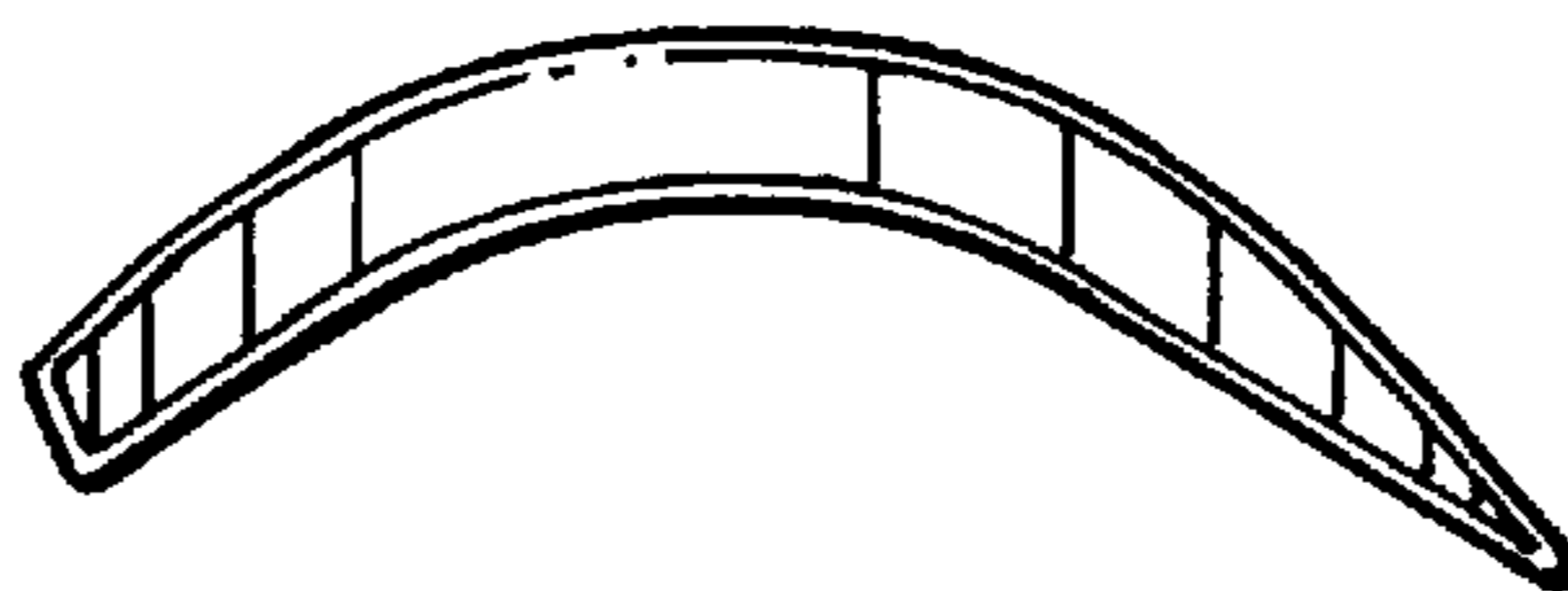


FIG. 12

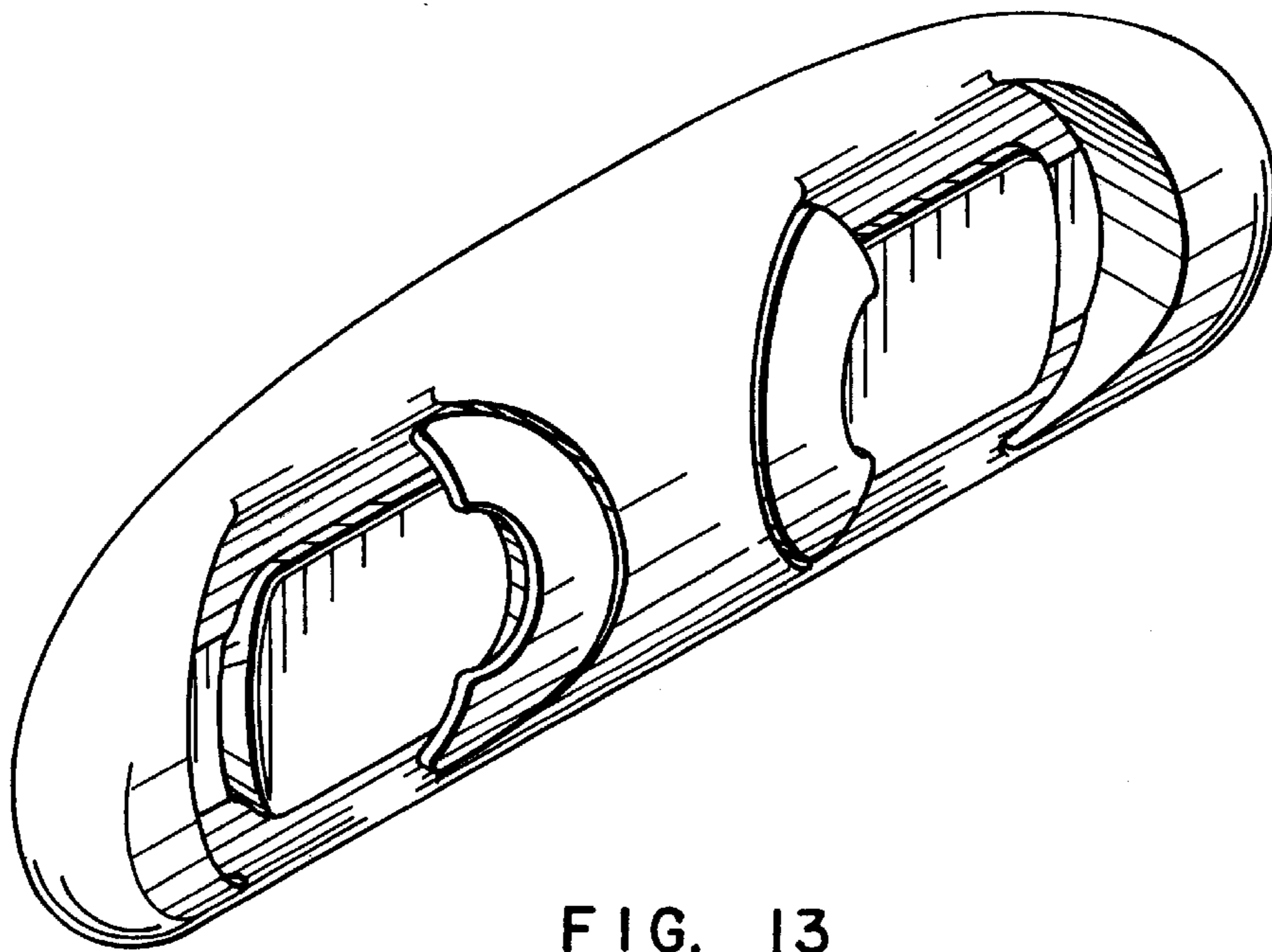


FIG. 13

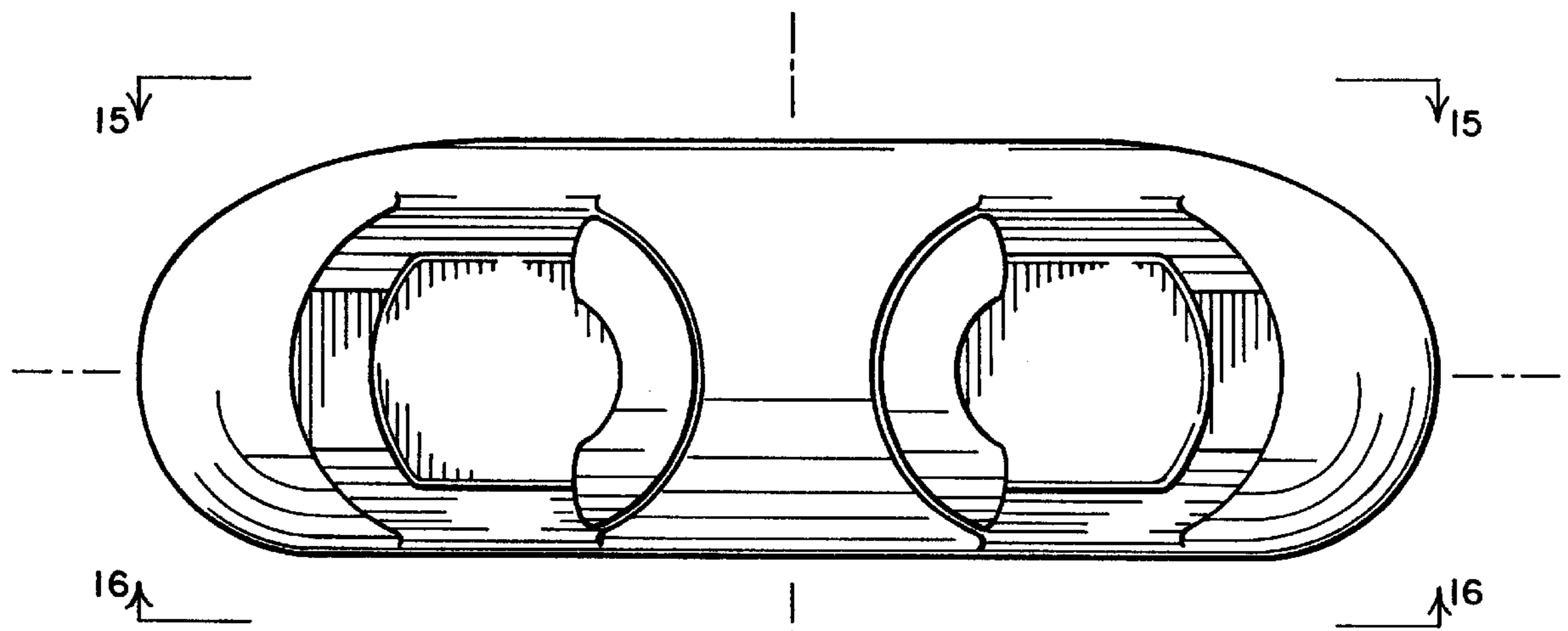


FIG. 14

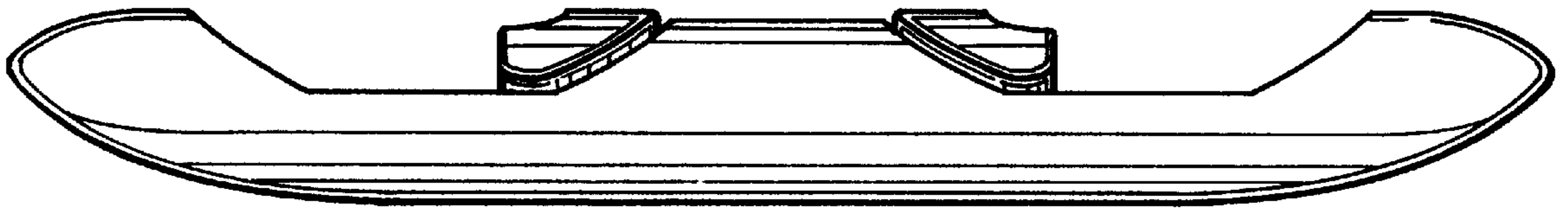


FIG. 15

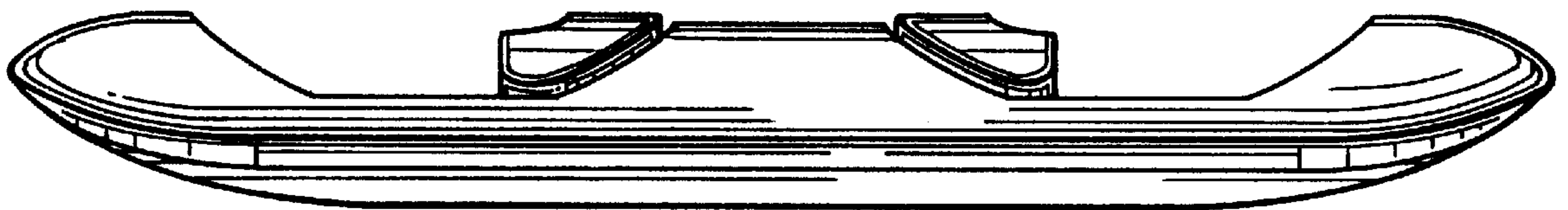


FIG. 16

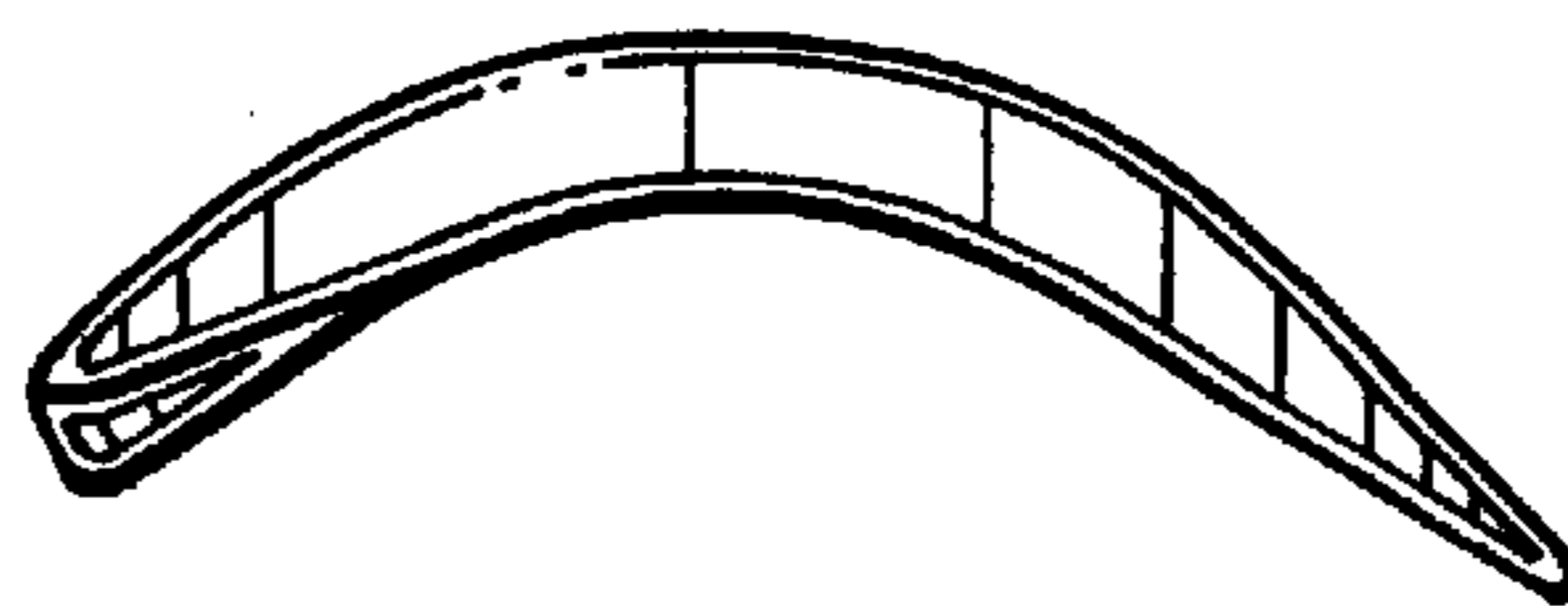


FIG. 17