



US00D415403S

United States Patent [19]

Sterpka et al.

[11] Patent Number: Des. 415,403

[45] Date of Patent: ** Oct. 19, 1999

[54] HOLDER FOR HEX KEYS

[75] Inventors: Frank Sterpka, West Hartford; David Mathieu, Middletown, both of Conn.

[73] Assignee: Hand Tool Design Corporation, Wilmington, Del.

[**] Term: 14 Years

[21] Appl. No.: 29/079,183

[22] Filed: Nov. 6, 1997

[51] LOC (6) Cl. 08-05

[52] U.S. Cl. D8/71

[58] Field of Search D8/71; D6/396, D6/416, 449, 466-469, 475, 476, 512, 553, 567, 569-71; D7/637, 641; 206/372, 377, 379; 211/13.1, 60.1, 69, 69.1, 70.6, 70.7; 248/309.1, 312, 176-7

[56] References Cited

U.S. PATENT DOCUMENTS

D. 90,663	9/1933	Kohlmetz .	
D. 110,692	8/1938	Durell .	
D. 145,868	11/1946	Fletcher .	
D. 178,536	8/1956	Polan .	
D. 179,979	4/1957	Noga .	
D. 205,745	9/1966	Nannfeldt .	
D. 288,039	2/1987	LeBlanc	D6/468
D. 343,106	1/1994	Eklind et al.	D8/71
D. 366,172	1/1996	Quirin	D6/553
1,024,388	4/1912	Bartlett .	
1,341,848	6/1920	Haensler .	

1,973,188	9/1934	Verderber	211/60
2,115,962	5/1938	Orme	240/2
2,509,507	5/1950	Kane	206/46
2,604,211	7/1952	Steine	211/9
3,997,053	12/1976	Bondhus	206/377
5,512,165	4/1996	Liu	206/379 X

Primary Examiner—Terry A. Wallace
Attorney, Agent, or Firm—Leonard Bloom

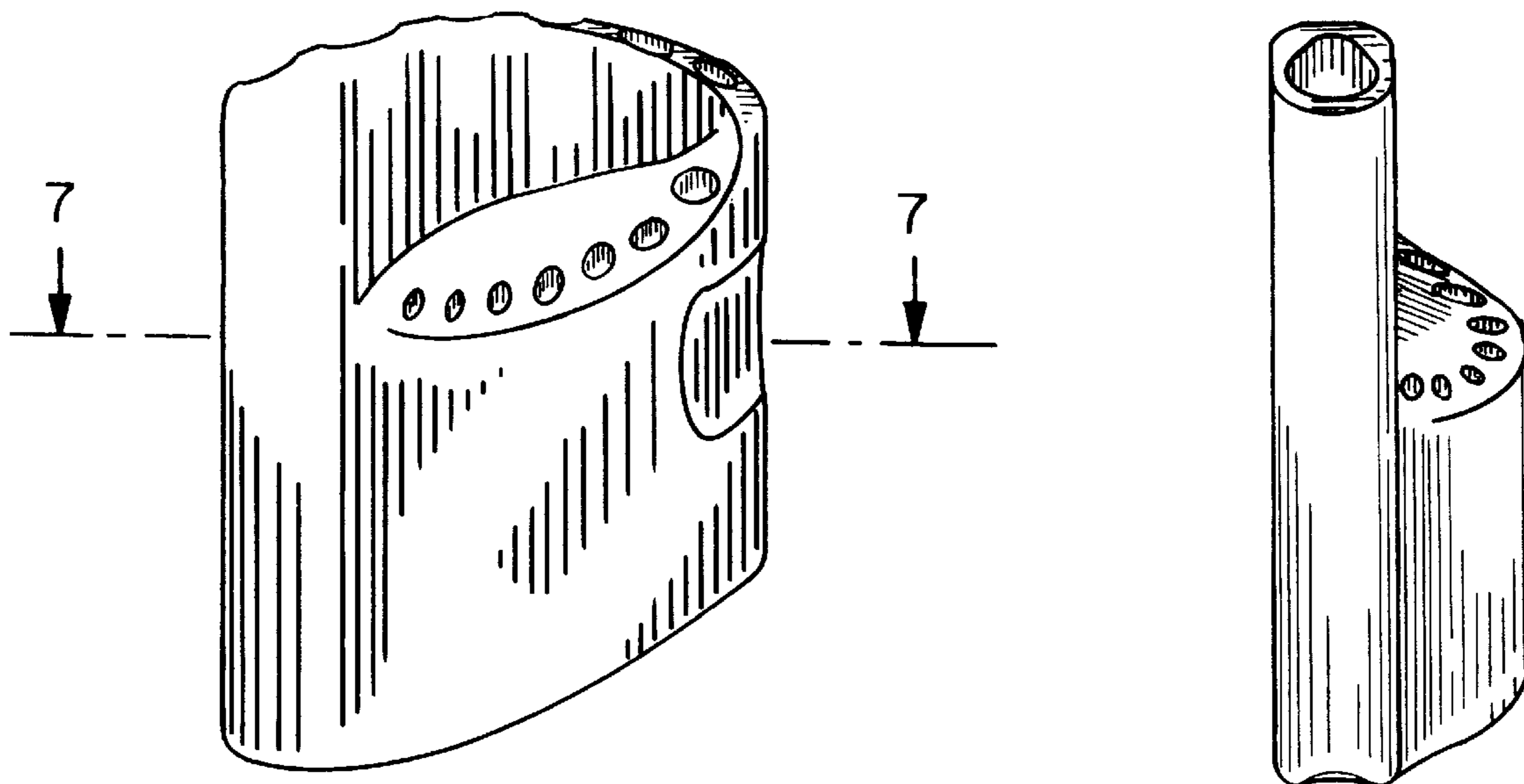
[57] CLAIM

The ornamental design of a holder for hex keys, as shown and described.

DESCRIPTION

FIG. 1 is a front elevational view of a one embodiment of holder for hex keys showing our new design.
 FIG. 2 is a rear elevational view thereof.
 FIG. 3 is a left side elevational view thereof.
 FIG. 4 is a right side elevational view thereof.
 FIG. 5 is a top plan view thereof.
 FIG. 6 is a bottom plan view thereof.
 FIG. 7 is a cross-sectional view taken across the lines 7—7 of FIG. 1.
 FIG. 8 is a front elevational view of a second embodiment of a holder for hex keys.
 FIG. 9 is a rear elevational view thereof.
 FIG. 10 is a left elevational view thereof.
 FIG. 11 is a right elevational view thereof.
 FIG. 12 is a top plan view thereof.
 FIG. 13 is a bottom plan view thereof; and,
 FIG. 14 is a cross-sectional view, taken across the lines 14—14 of FIG. 8.

1 Claim, 4 Drawing Sheets



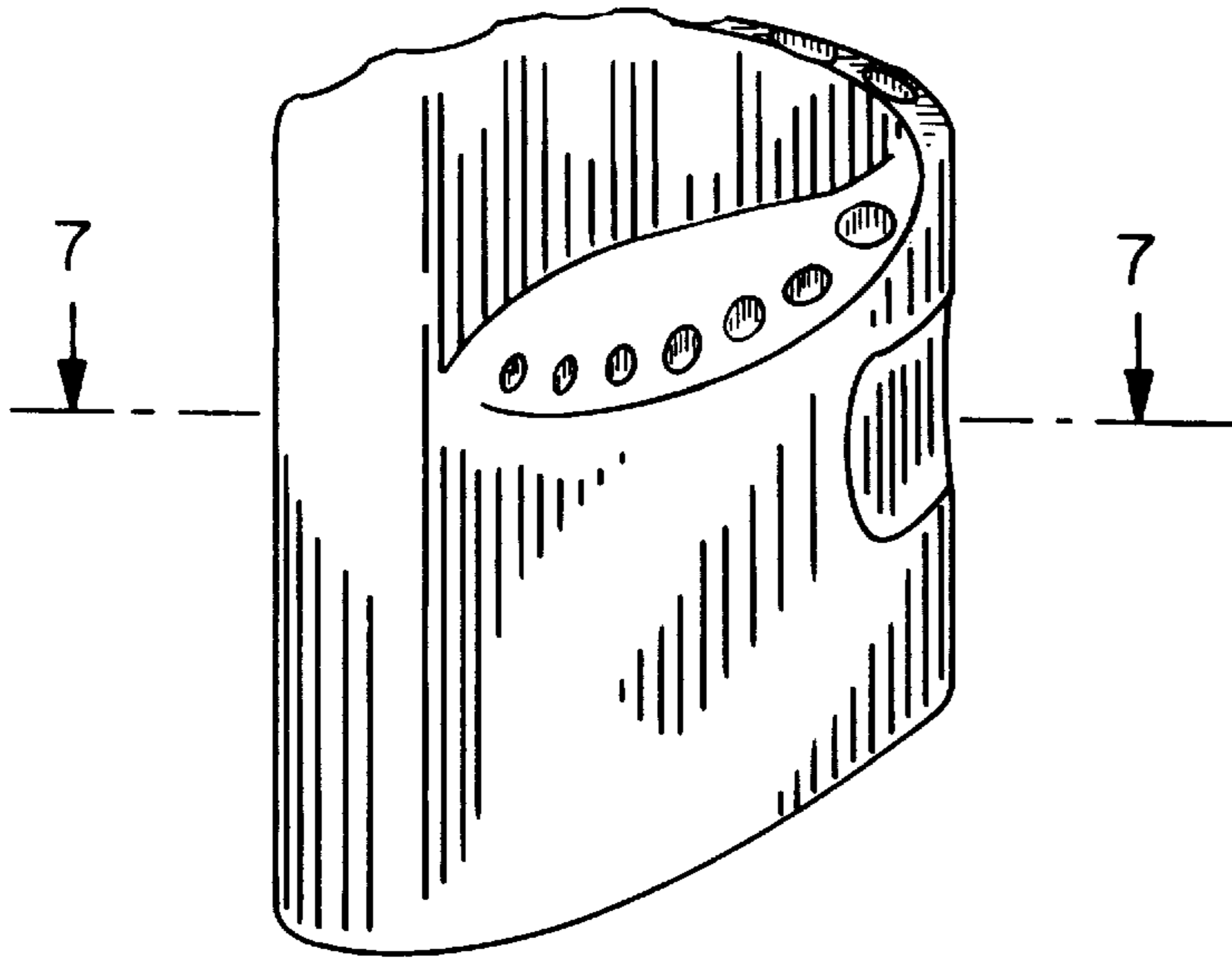


FIG. 1

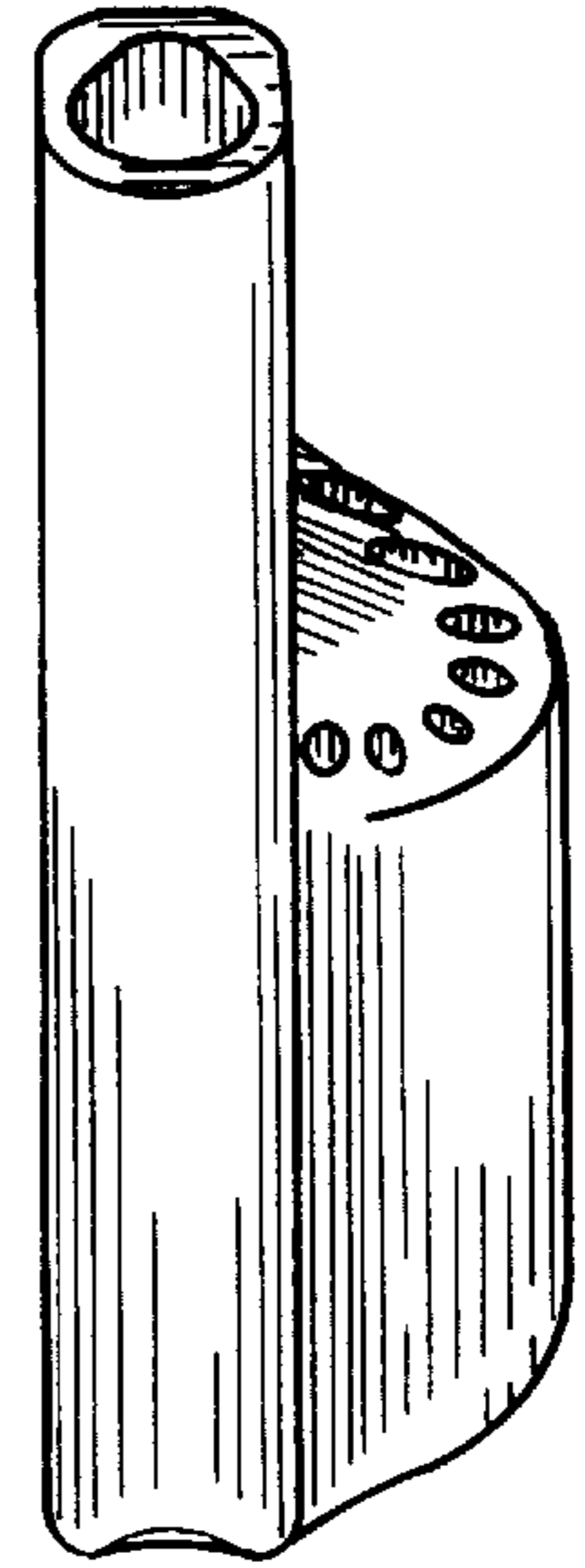


FIG. 3

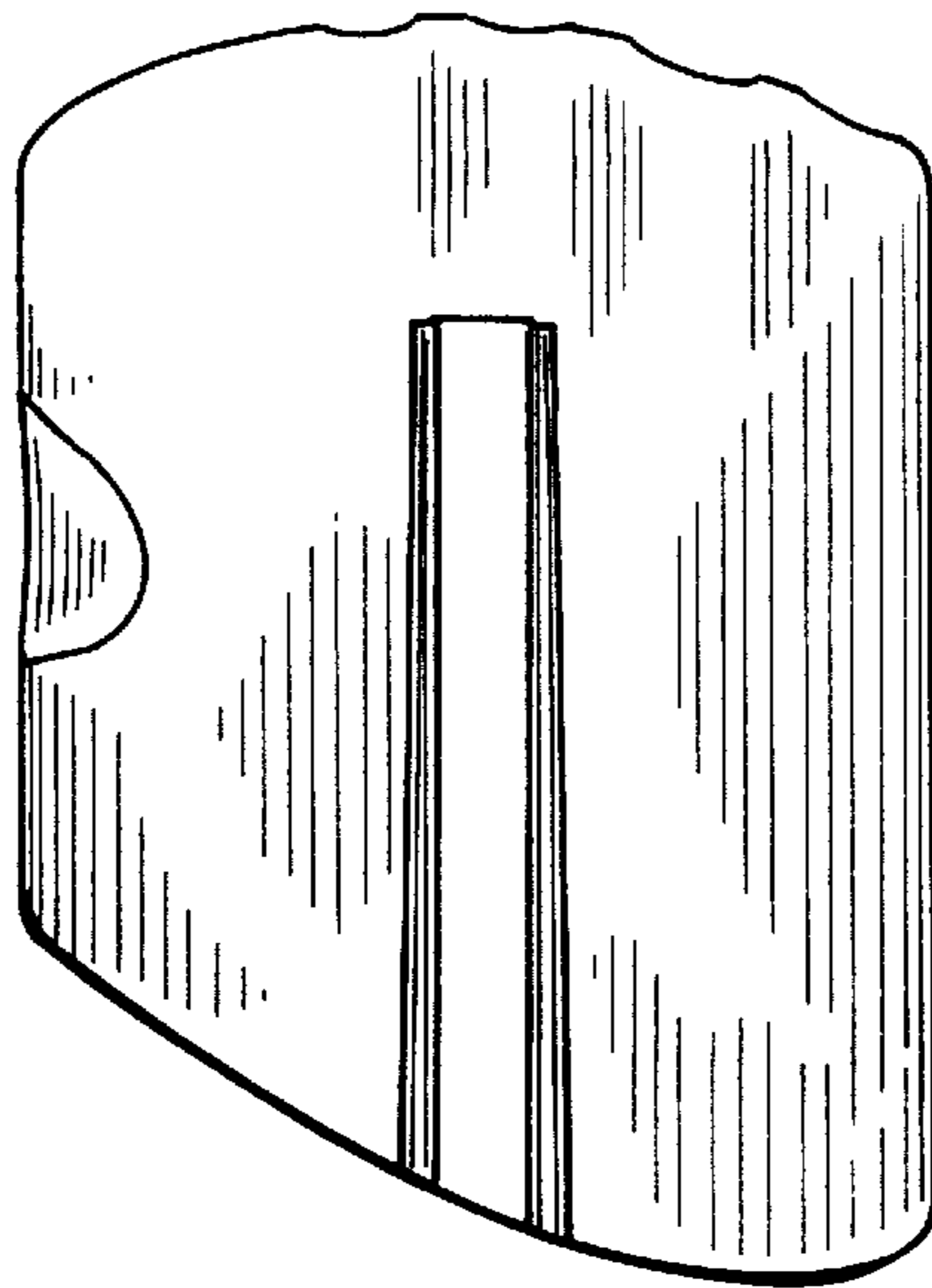


FIG. 2

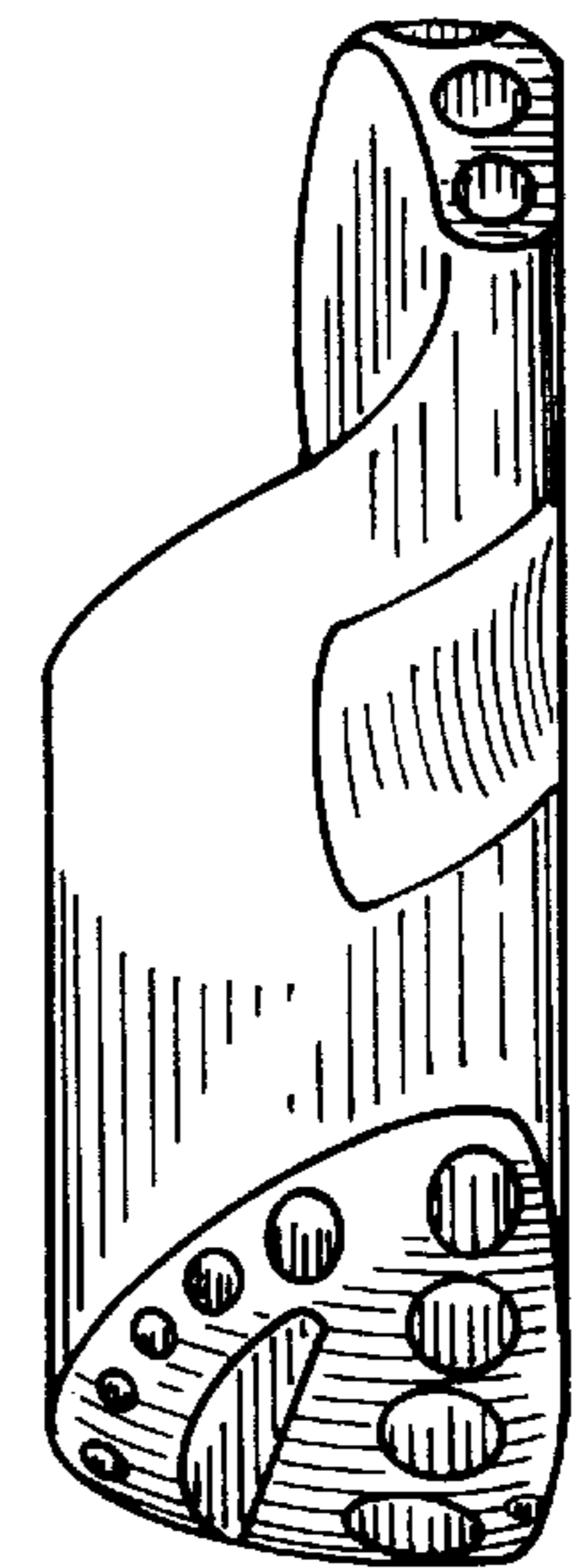


FIG. 4

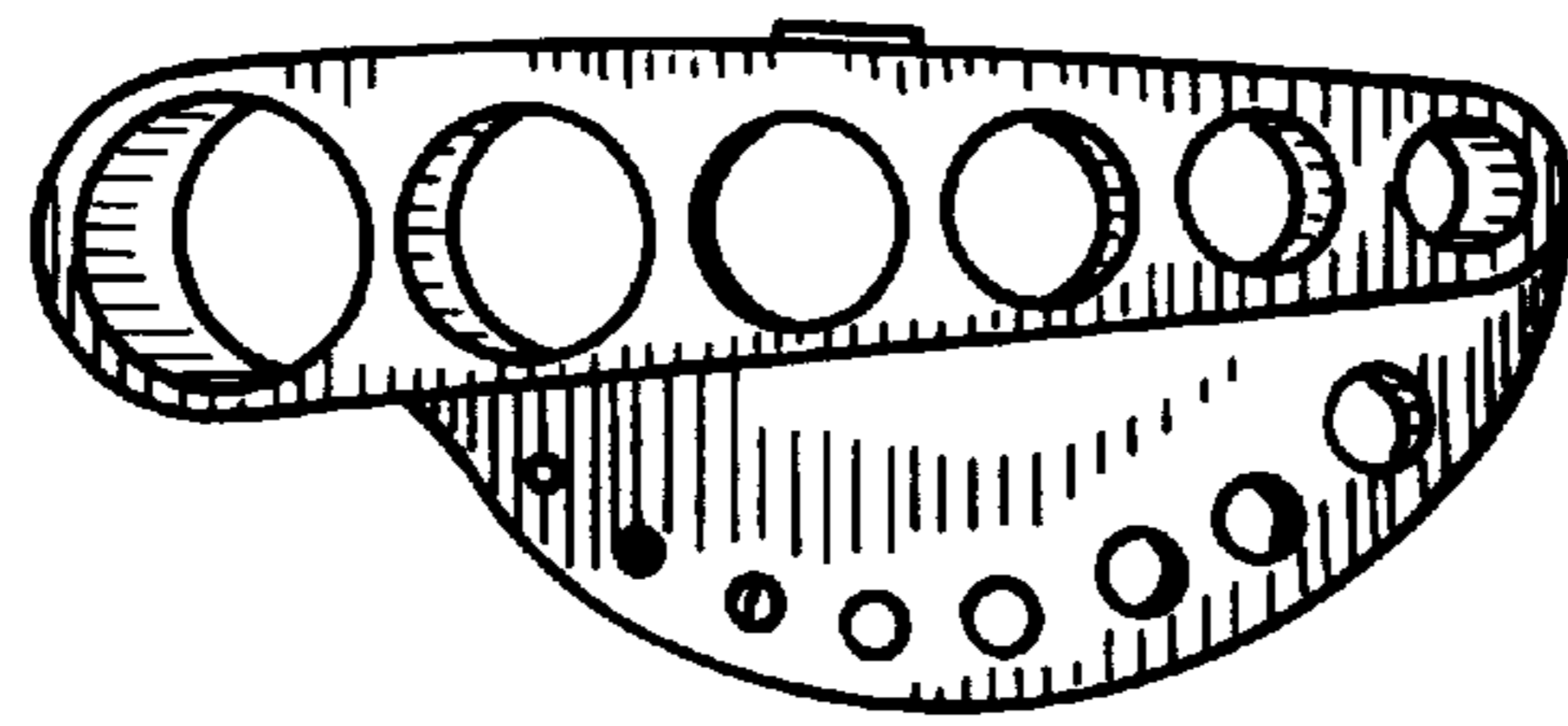


FIG. 5

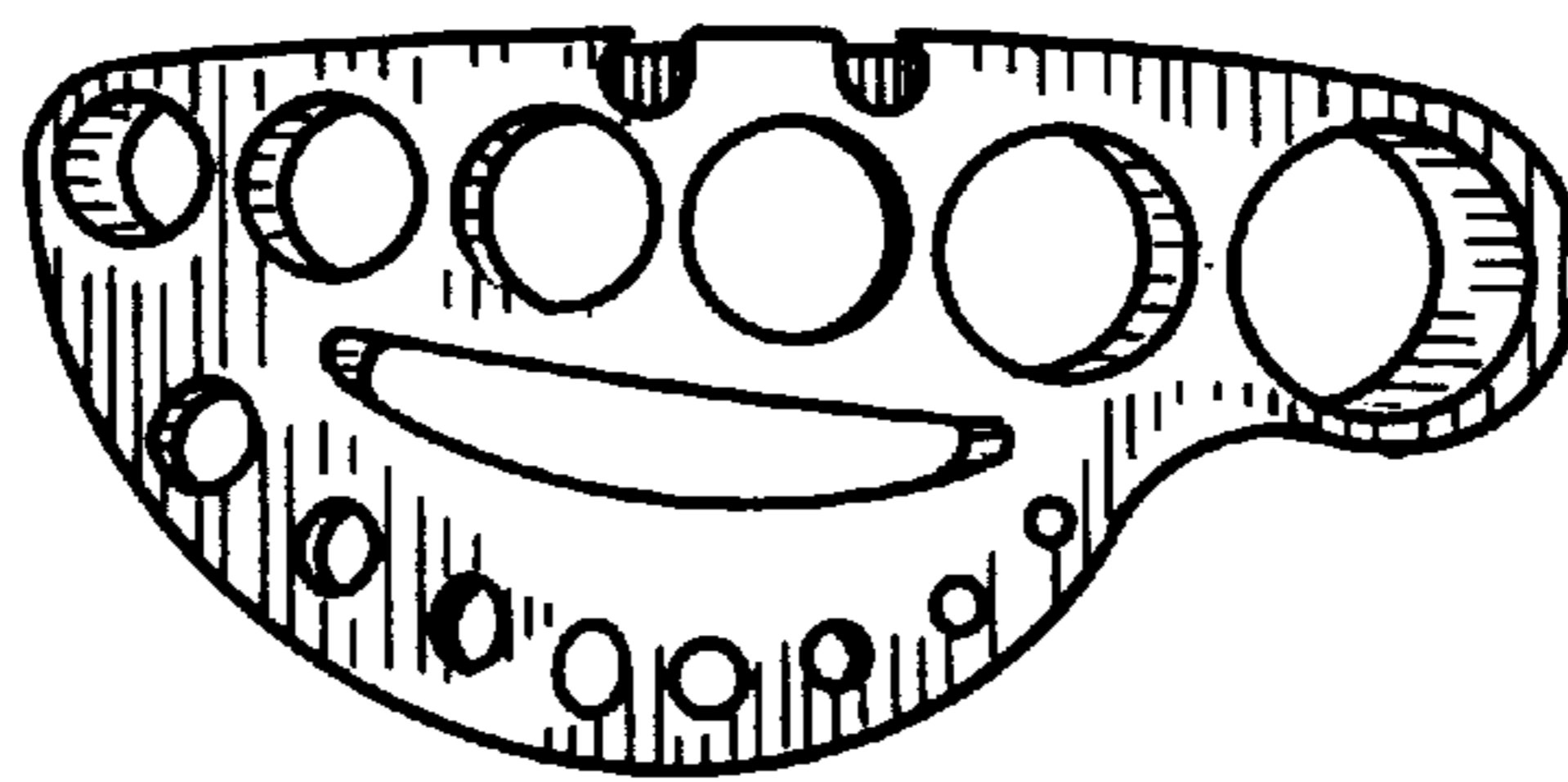


FIG. 6

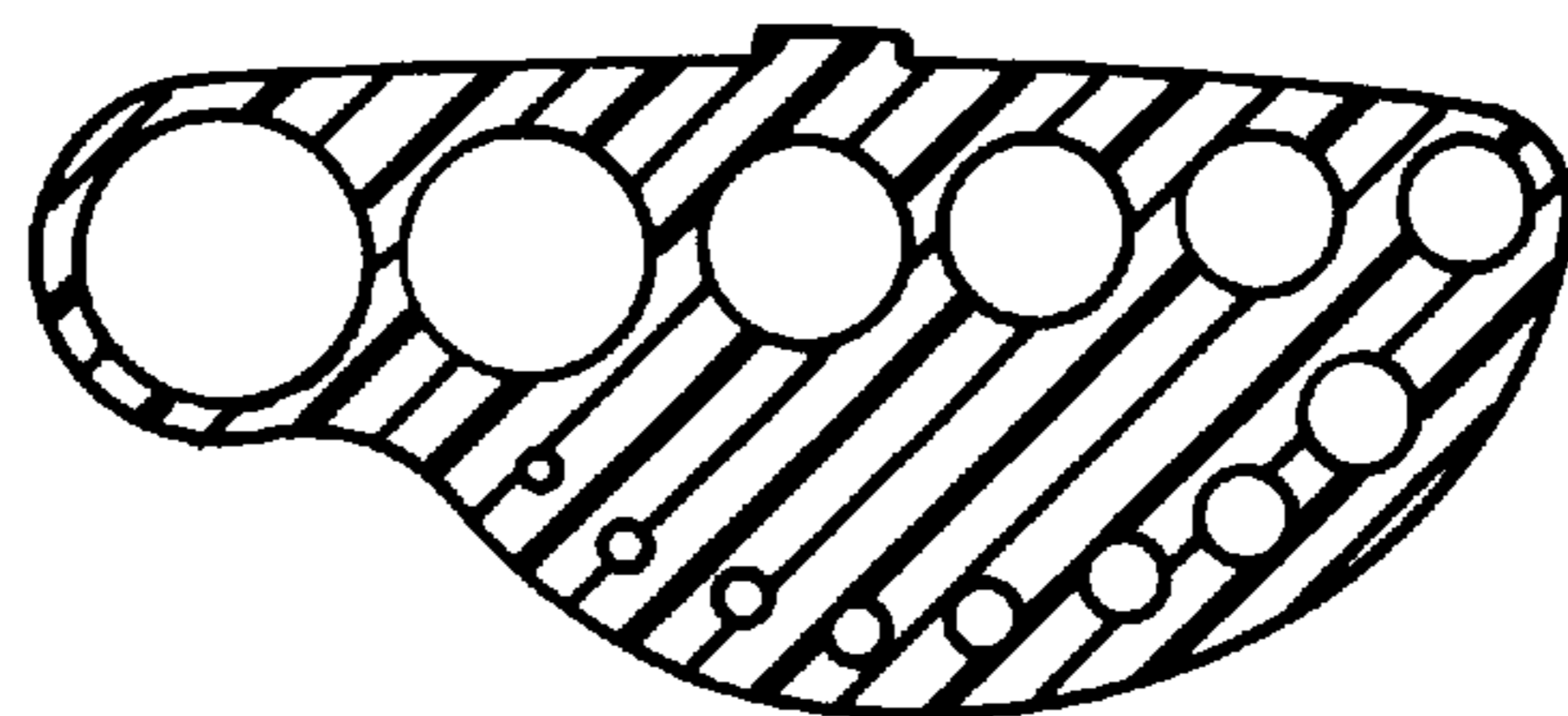


FIG. 7

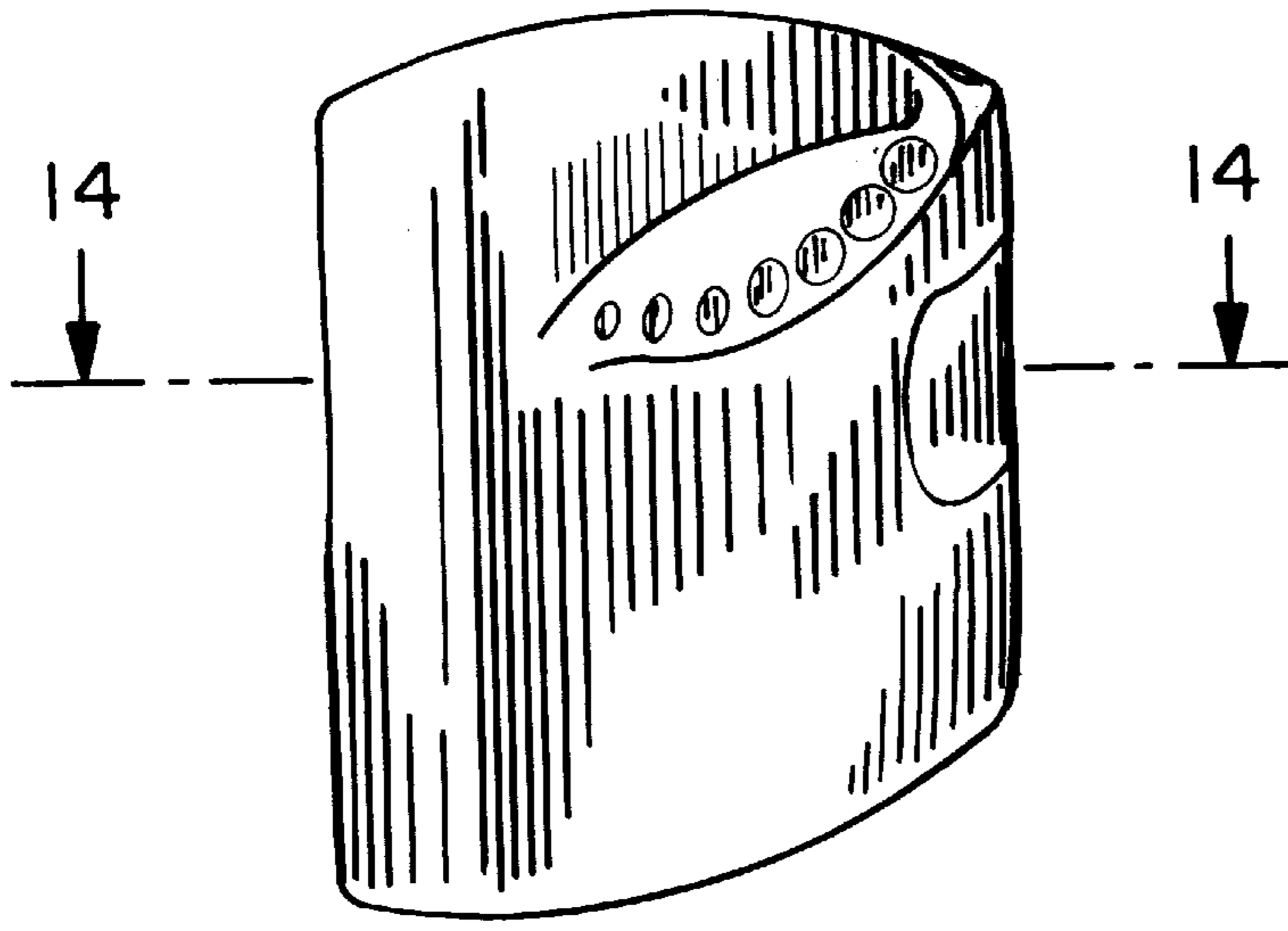


FIG. 8

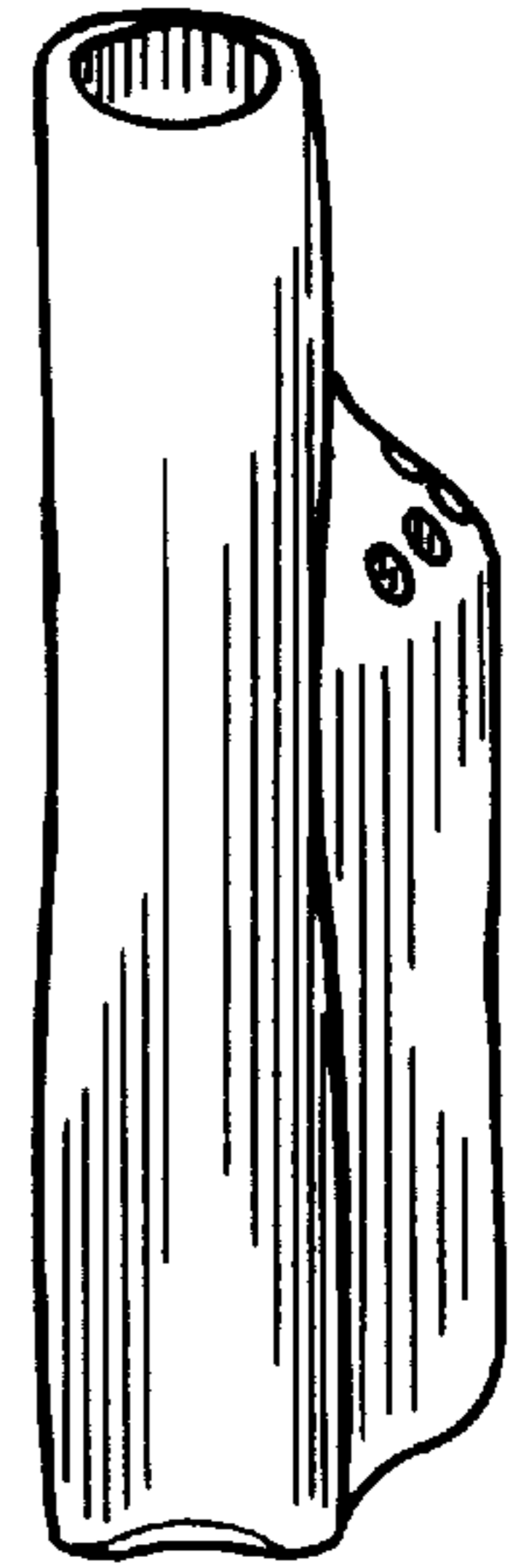


FIG. 10

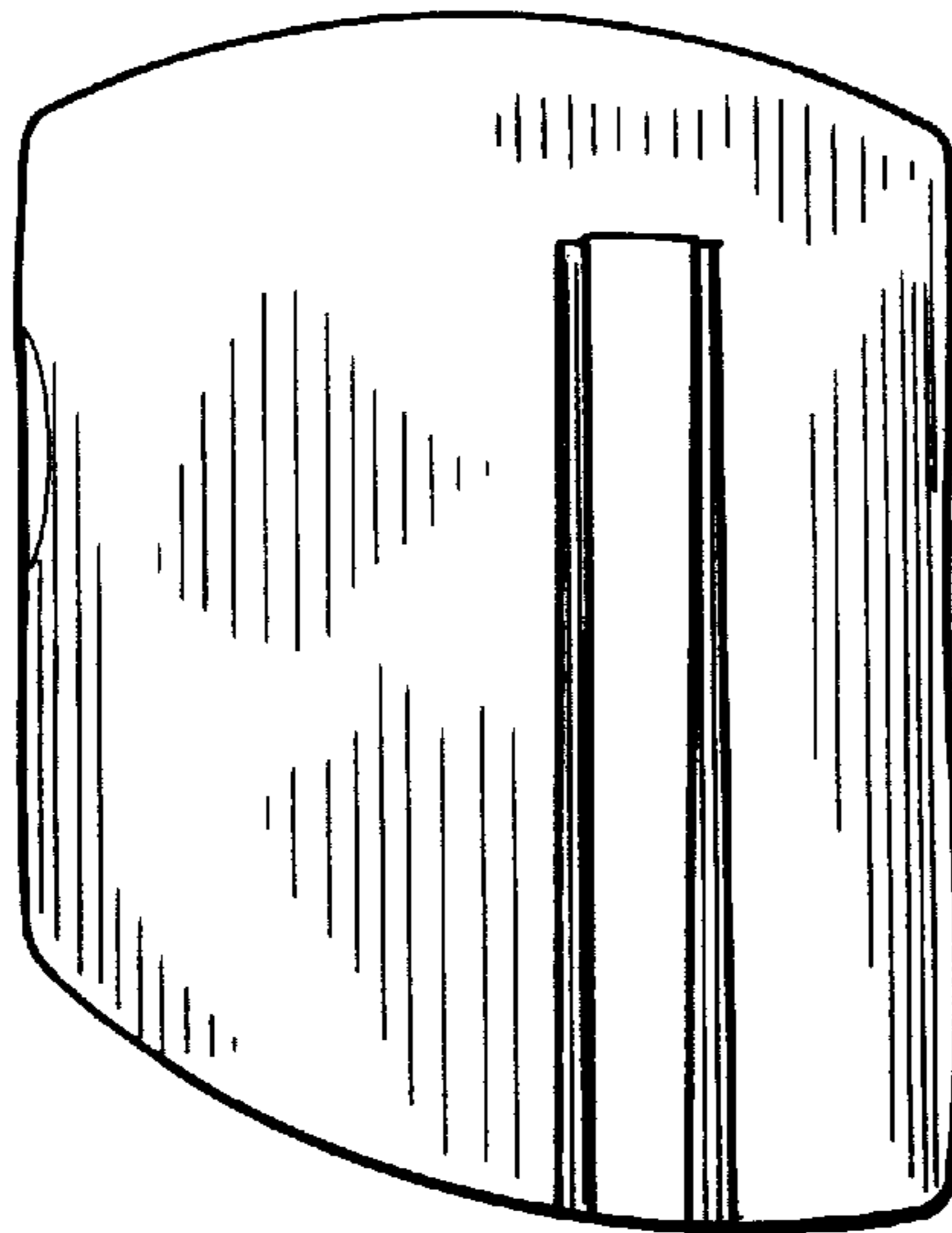


FIG. 9

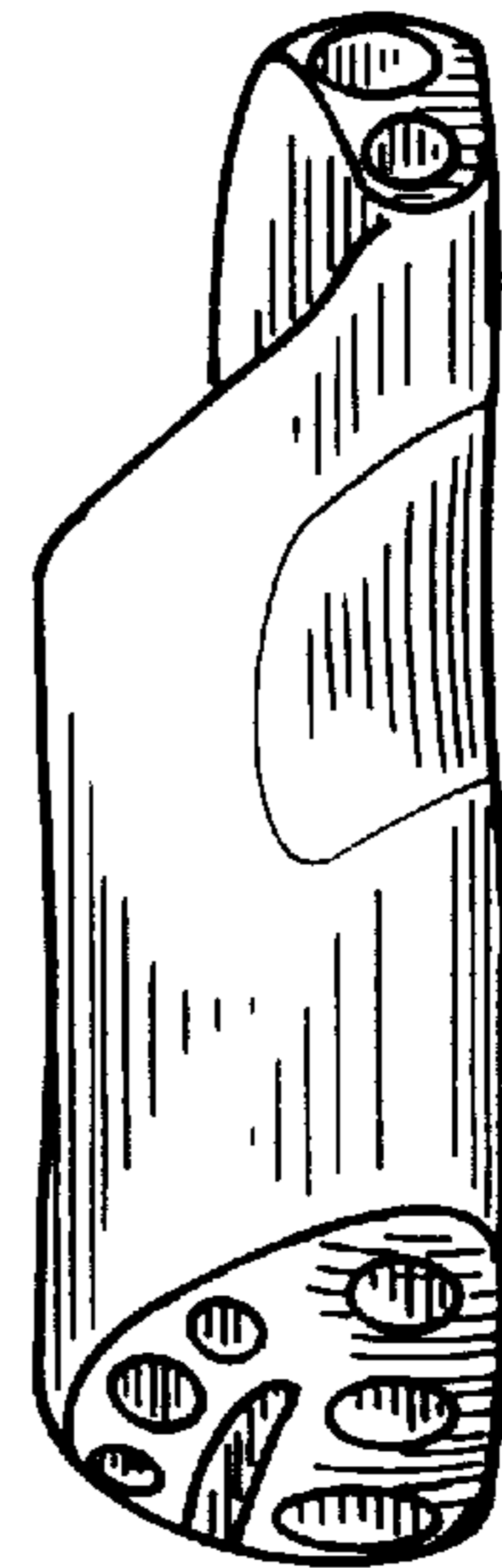


FIG. 11

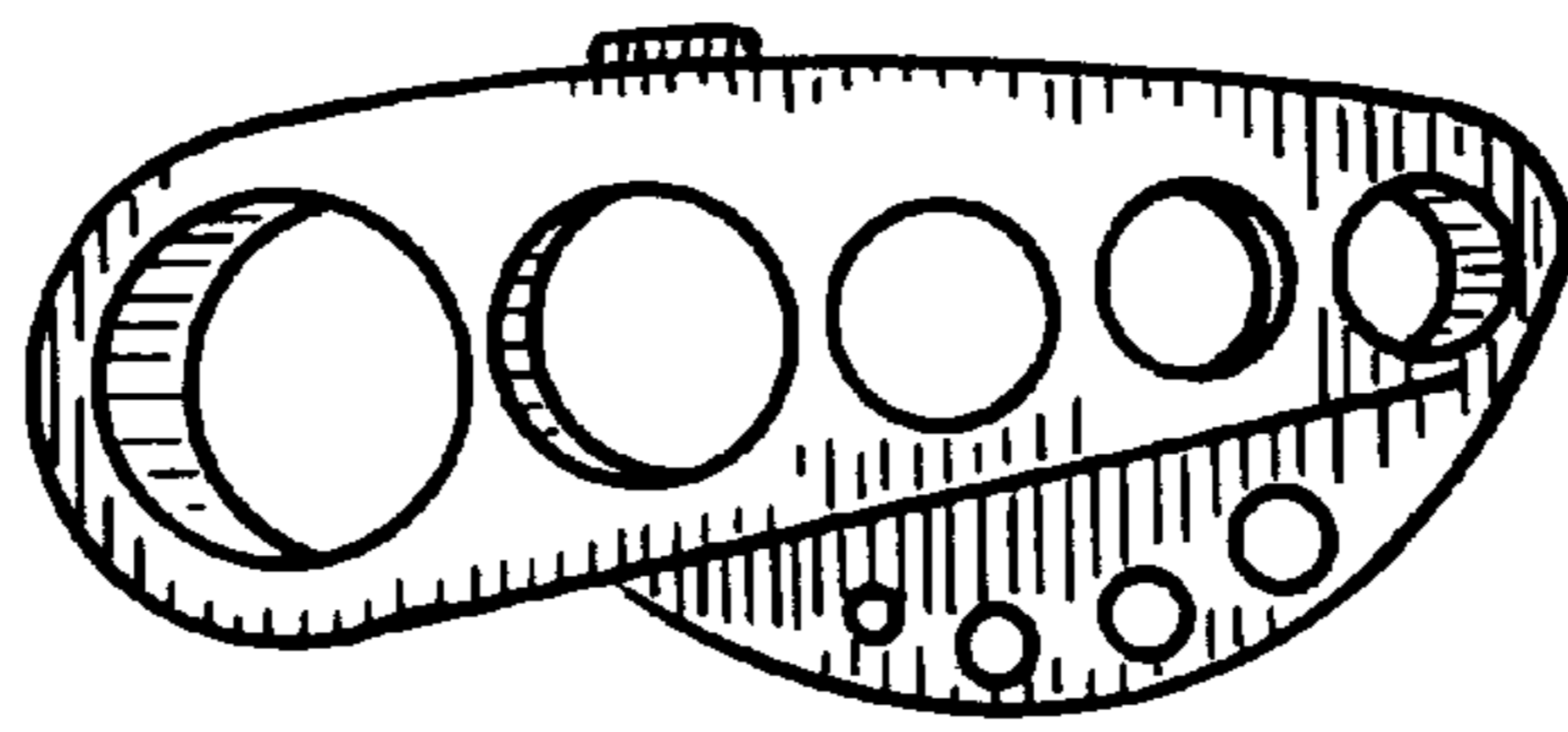


FIG. 12

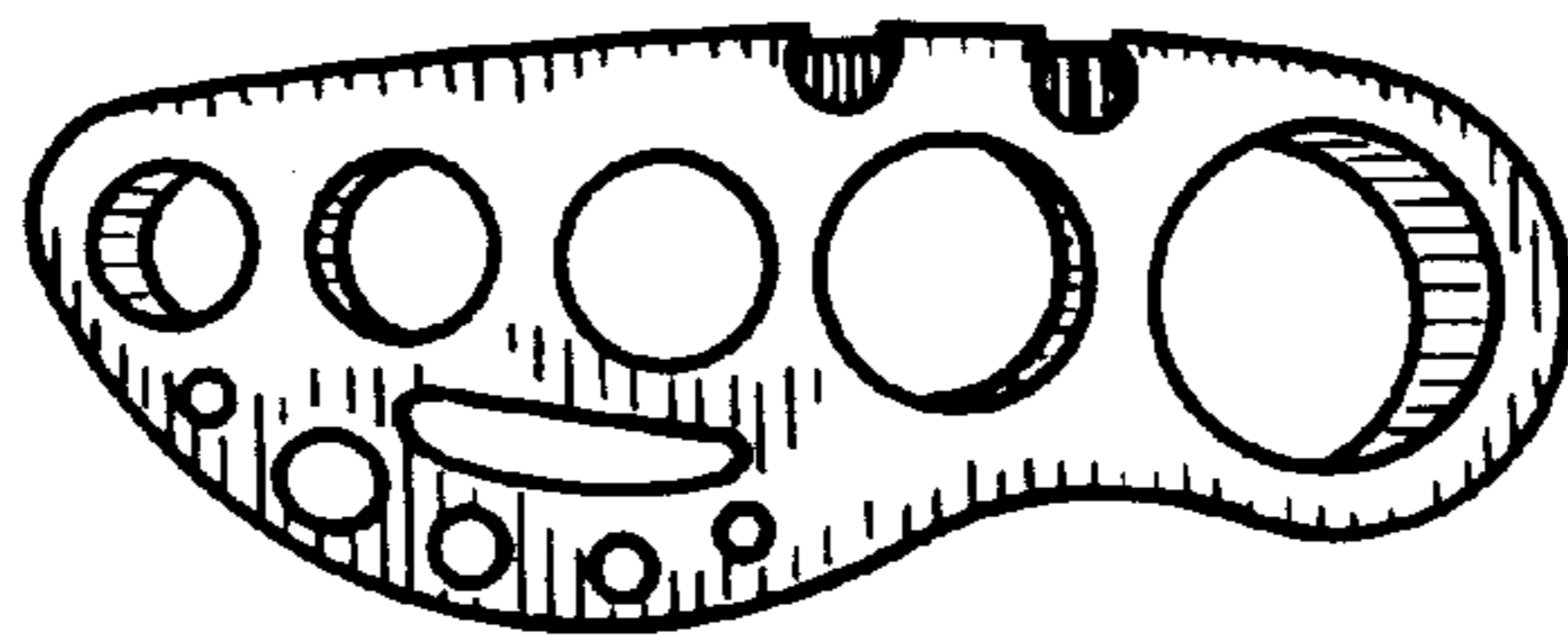


FIG. 13

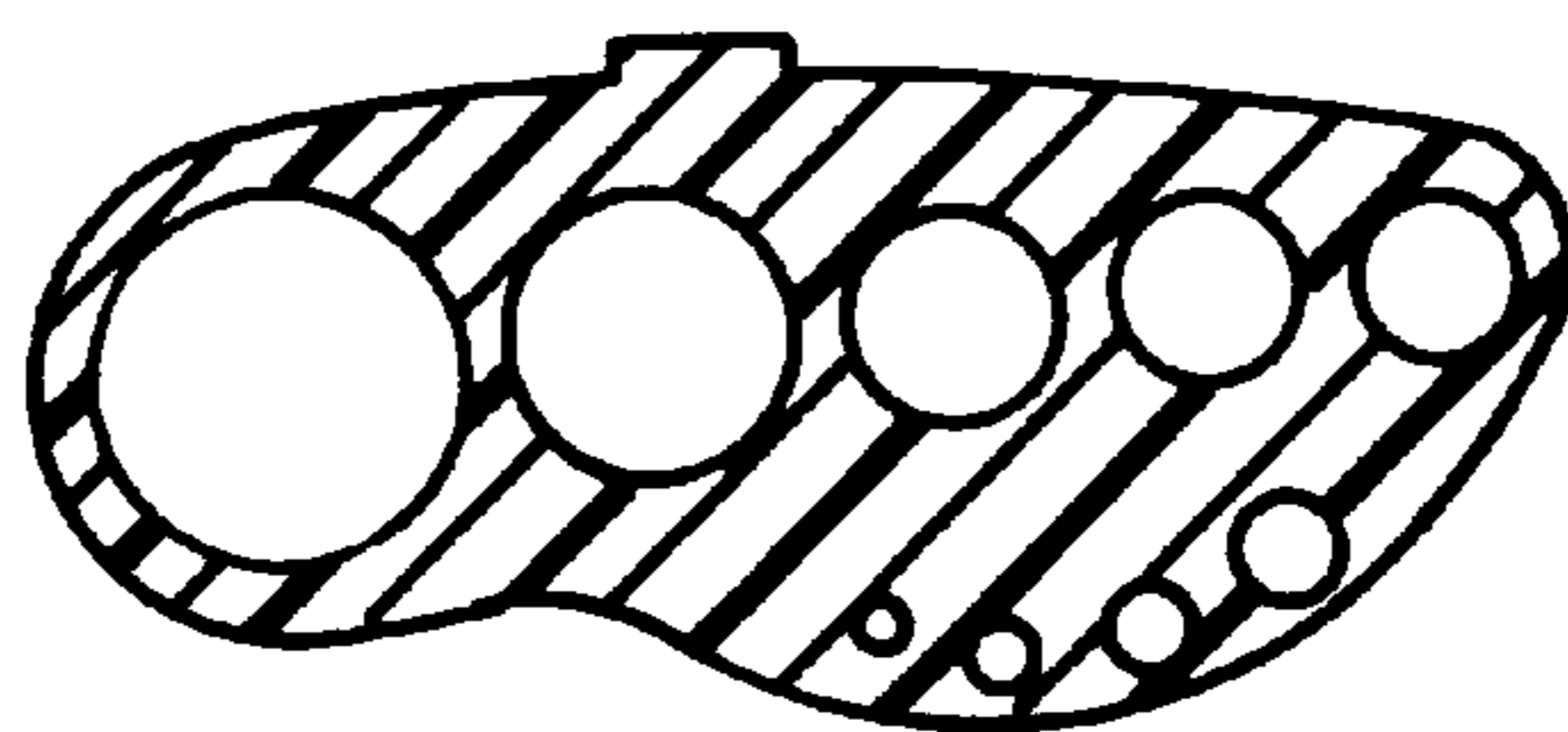


FIG. 14