



US00D415399S

# United States Patent [19]

Goforth et al.

[11] Patent Number: **Des. 415,399**

[45] Date of Patent: **\*\* Oct. 19, 1999**

[54] PNEUMATIC FASTENER DRIVING TOOL

[75] Inventors: **Alan J. Goforth**, Alexandria, Ky.;  
**Shin-Leei Hwang**; **George K. Rogers**,  
both of Cincinnati, Ohio

[73] Assignee: **Senco Products, Inc.**, Cincinnati, Ohio

[\*\*] Term: **14 Years**

[21] Appl. No.: **29/092,274**

[22] Filed: **Aug. 14, 1998**

[51] LOC (6) Cl. .... **08-05**

[52] U.S. Cl. .... **D8/69**

[58] Field of Search ..... D8/61, 68, 69,  
D8/70; 227/123, 130, 109

[56] **References Cited**

**U.S. PATENT DOCUMENTS**

D. 282,345	1/1986	Fehrs .....	D8/49
D. 365,974	1/1996	Matuschek .....	D8/69
3,205,787	9/1965	Volkman .	

3,467,294	9/1969	Fisher .	
3,499,593	3/1970	Volkman .	
4,523,646	6/1985	Doyle .	
5,782,395	7/1998	Sayer .....	227/130

*Primary Examiner*—Nelson C. Holtje  
*Attorney, Agent, or Firm*—Jerrold J. Litzinger

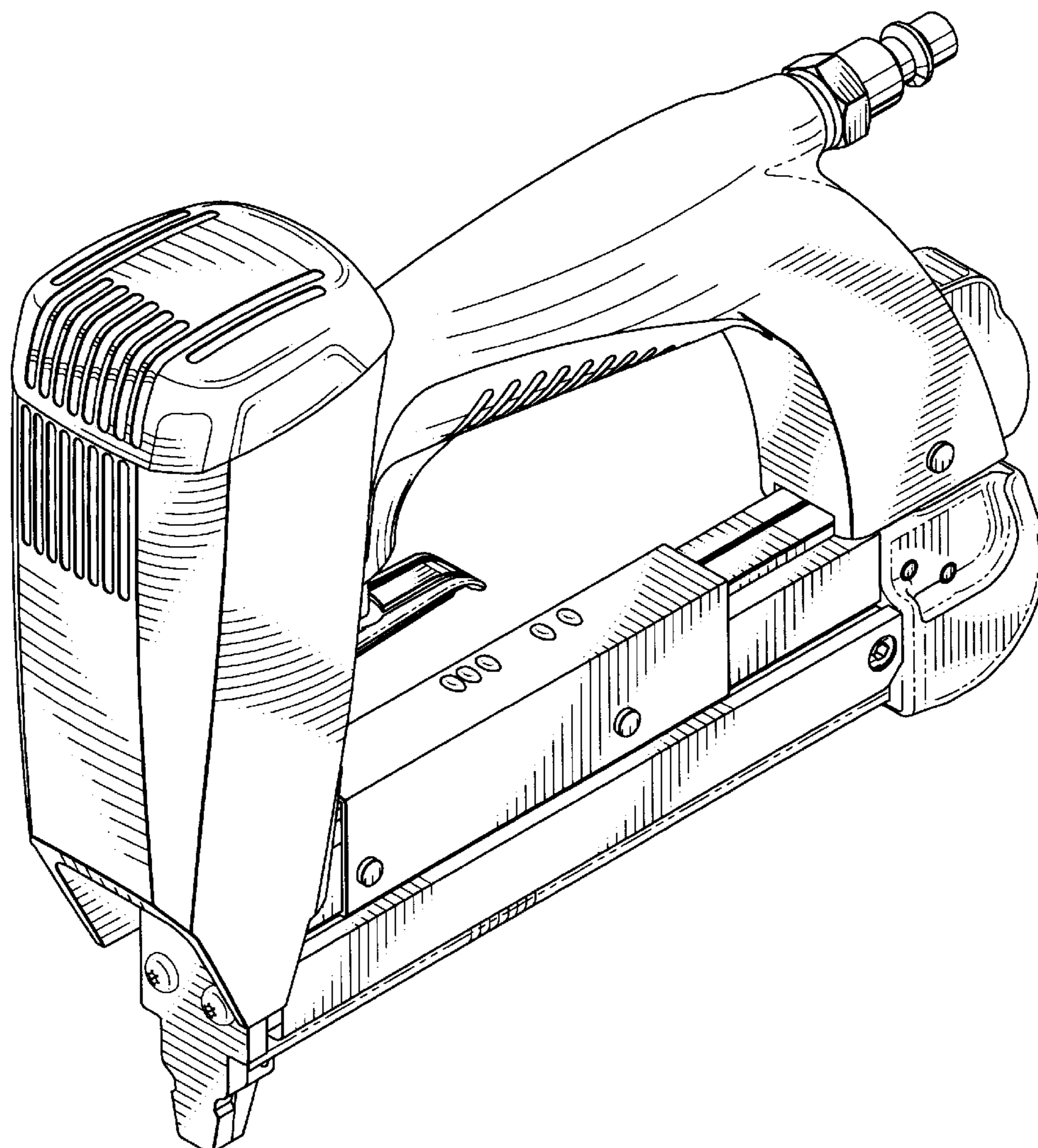
[57] **CLAIM**

The ornamental design for a pneumatic fastener driving tool, as shown and described.

**DESCRIPTION**

FIG. 1 is a perspective view of a pneumatic fastener driving tool showing our new design, looking at the top, front, and left side;  
FIG. 2 is a left side elevational view thereof;  
FIG. 3 is a top plan view thereof;  
FIG. 4 is a bottom plan view thereof;  
FIG. 5 is a front elevational view thereof;  
FIG. 6 is a rear elevational view thereof; and,  
FIG. 7 is a right side elevational view thereof.

**1 Claim, 5 Drawing Sheets**



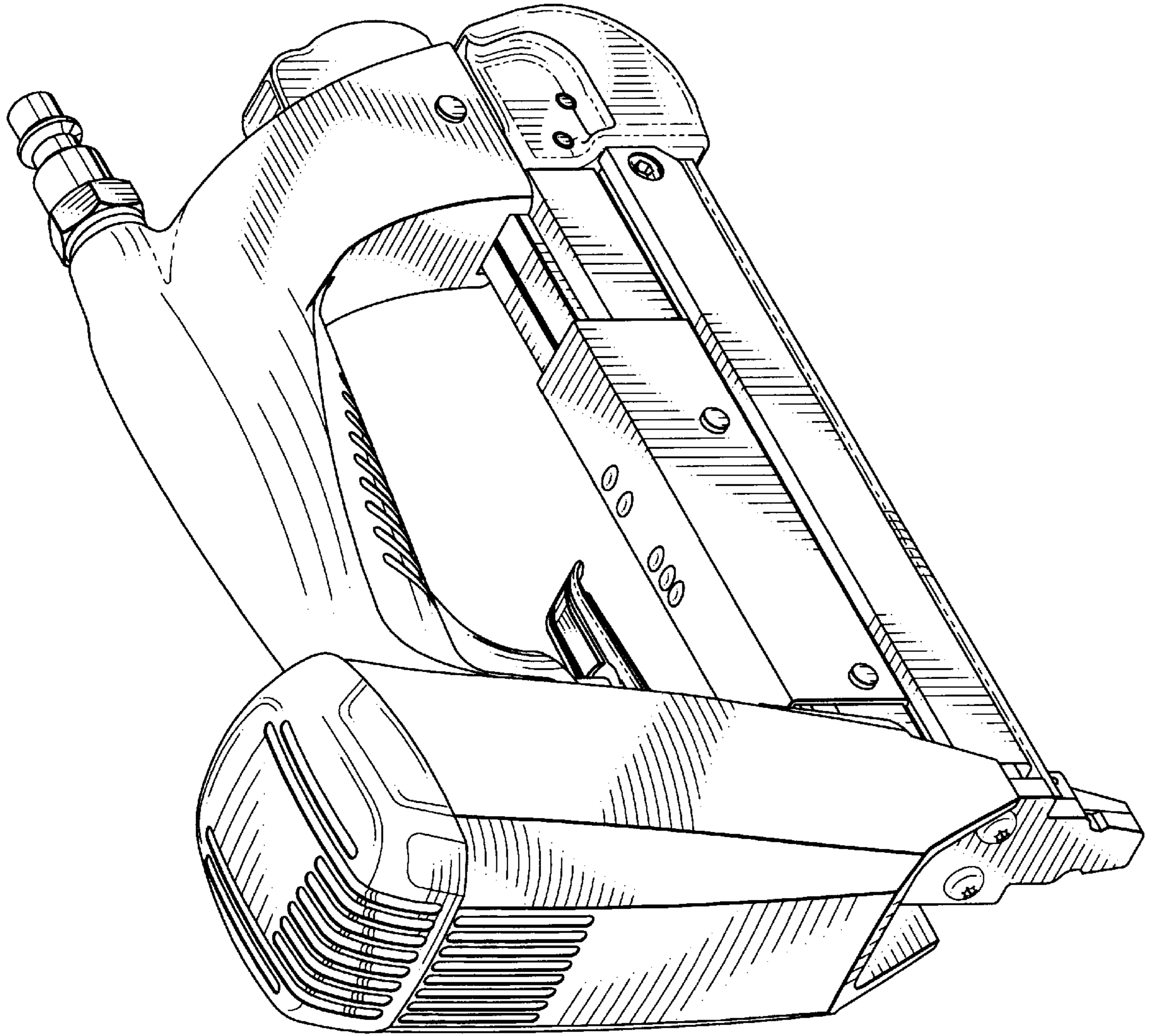


FIG. 1

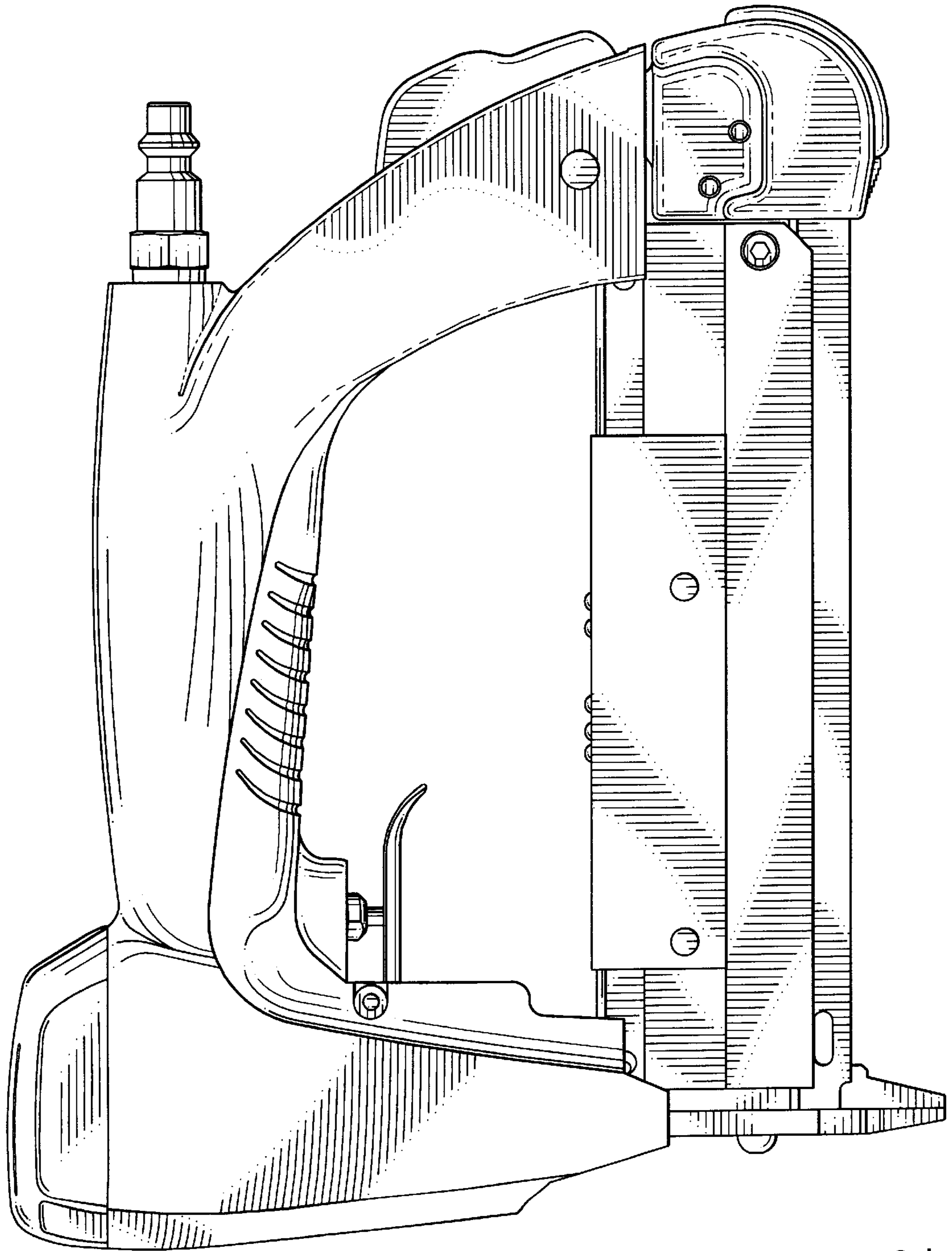


FIG. 2

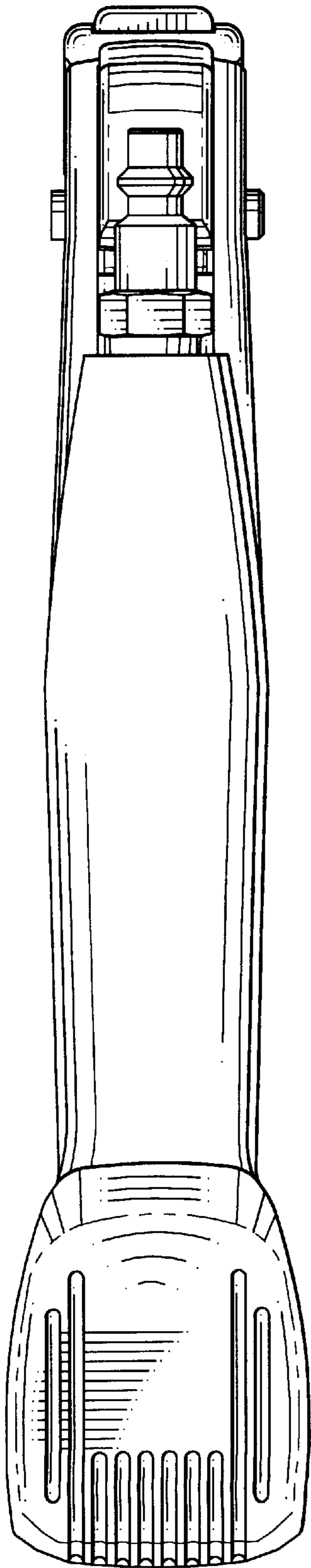


FIG. 3

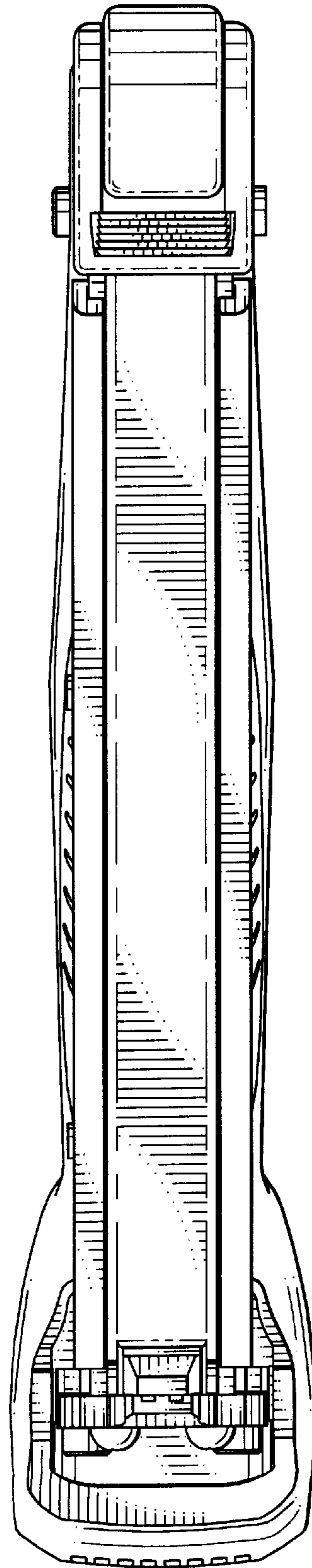


FIG. 4

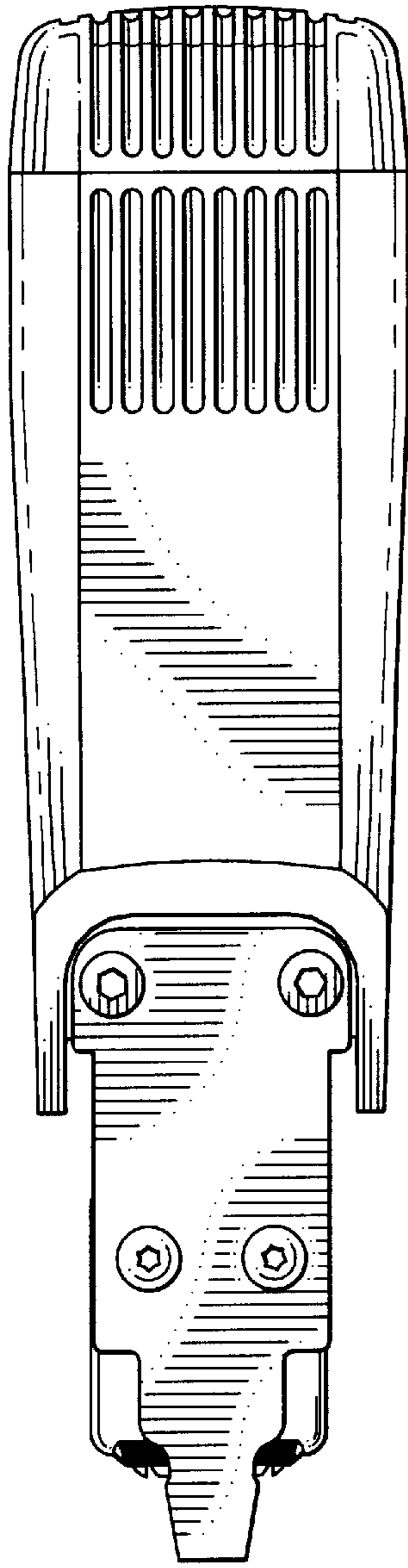


FIG. 5

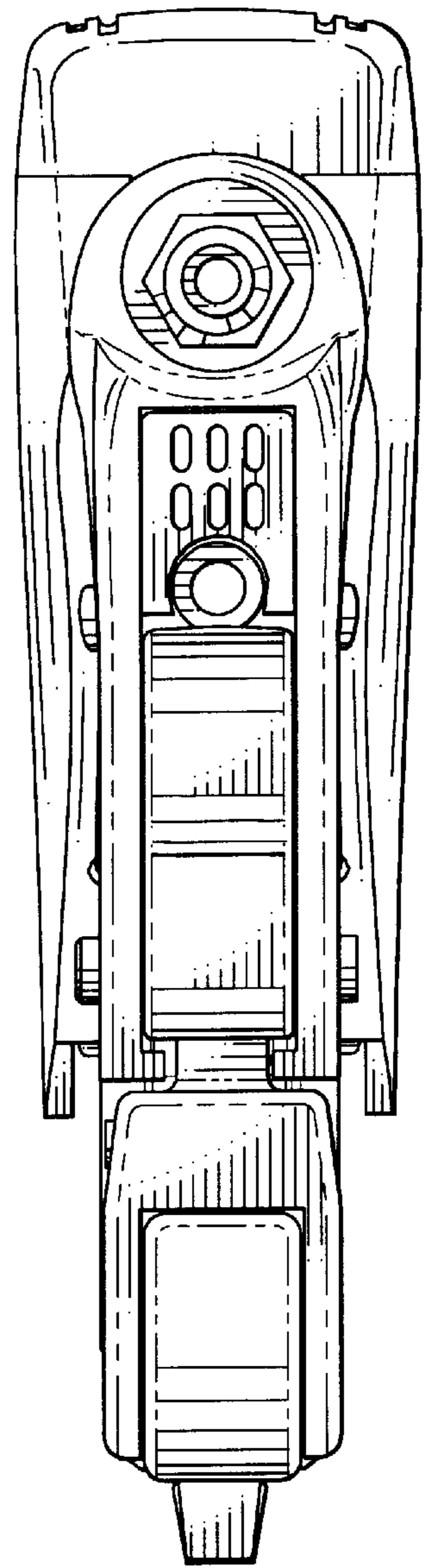


FIG. 6

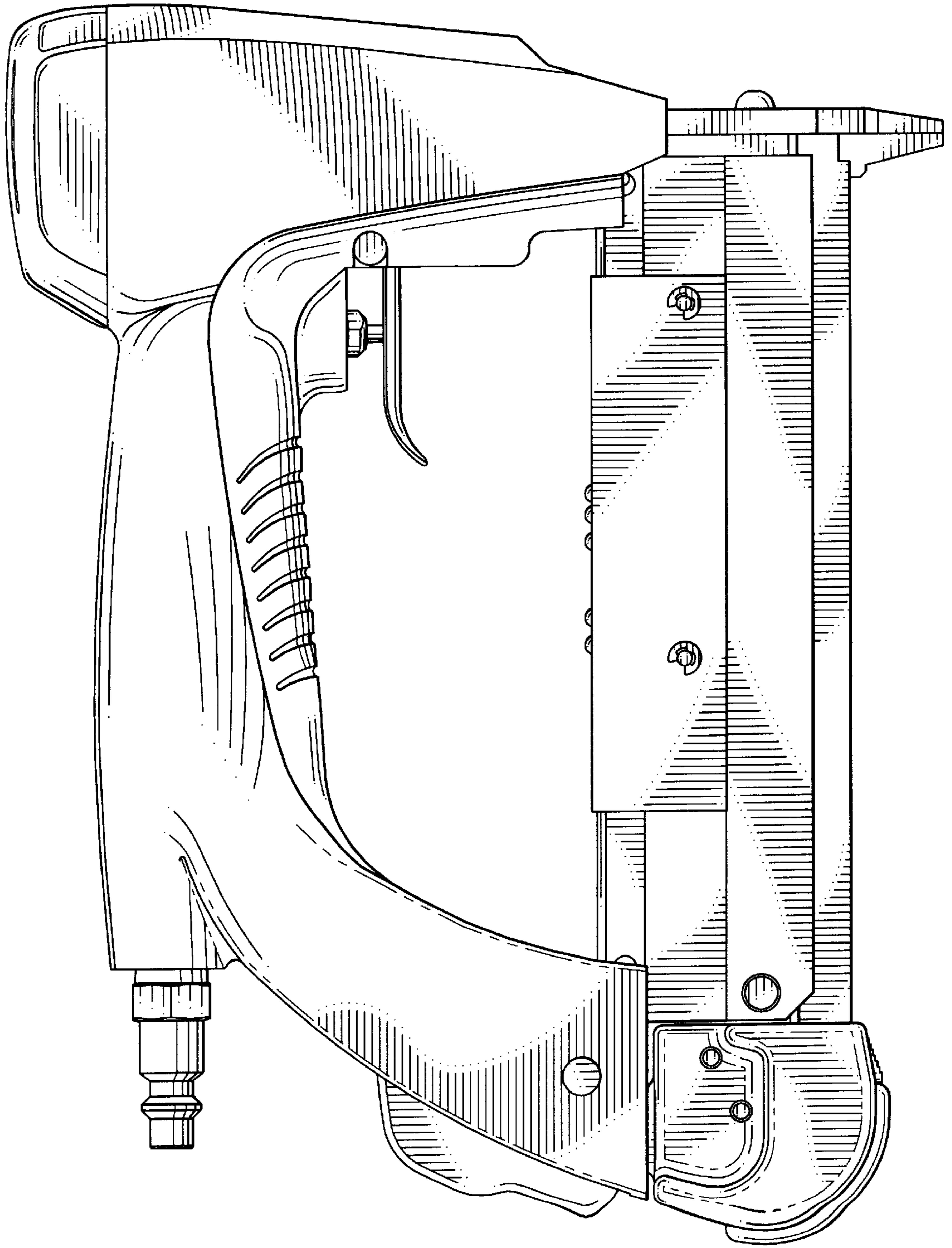


FIG. 7