



US00D415395S

# United States Patent [19]

Hunt et al.

[11] Patent Number: Des. 415,395

[45] Date of Patent: \*\* Oct. 19, 1999

[54] WIDE MOUTH FOOD BOTTLE

[75] Inventors: David L. Hunt, Cincinnati, Ohio; W. Henry Kahl, Franklin, Tenn.

[73] Assignee: Aladdin Industries, LLC, Nashville, Tenn.

[\*\*] Term: 14 Years

[21] Appl. No.: 29/091,479

[22] Filed: Jul. 30, 1998

[51] LOC (6) Cl. .... 07-06

[52] U.S. Cl. .... D7/608; D7/629

[58] Field of Search ..... D7/605-608, 629; 62/457.1-457.5, 371; 215/12.1, 12.2, 13.1; 220/410-412

### [56] References Cited

#### U.S. PATENT DOCUMENTS

D. 259,012	4/1981	Harris	.....	D7/608	X
D. 346,299	4/1994	Covault et al.	.....	D7/608	X
3,285,450	11/1966	Piker	.....	215/12.2	
3,298,554	1/1967	Piker	.....	215/12.2	

#### FOREIGN PATENT DOCUMENTS

2172395 9/1986 United Kingdom .

#### OTHER PUBLICATIONS

Aladdin ® "Stanley" ® Wide Mouth Brochure, 1995.  
Aladdin ® "Stanley" ® Wide Mouth Food Bottle With Two 12-oz. Stanley Foam-Insulated Travel Mugs brochure, 1995.

Aladdin ® Executive™ All Steel Bottles Brochure (2pp.), 1995.

Aladdin ® "Lunch Essentials", "Thermo Jar" (p. 19).

Aladdin ® Price List (cover page, and attached page enlarged to show detail), effective Jan. 1, 1995.

Aladdin ® 1995 Promotional Products Catalog, pp. 9-11.

Primary Examiner—Terry A. Wallace

Attorney, Agent, or Firm—Greenblum & Bernstein, P.L.C.

### [57] CLAIM

We claim the ornamental design for a wide mouth food bottle, as shown and described.

### DESCRIPTION

FIG. 1 is a front view of our new design with spoon, with the rear view being identical thereto;

FIG. 2 is a right side view thereof;

FIG. 3 is a left side view thereof;

FIG. 4 is a top view thereof;

FIG. 5 is a bottom view thereof; and,

FIG. 6 is a cross section taking along line 6-6 of FIG. 2;

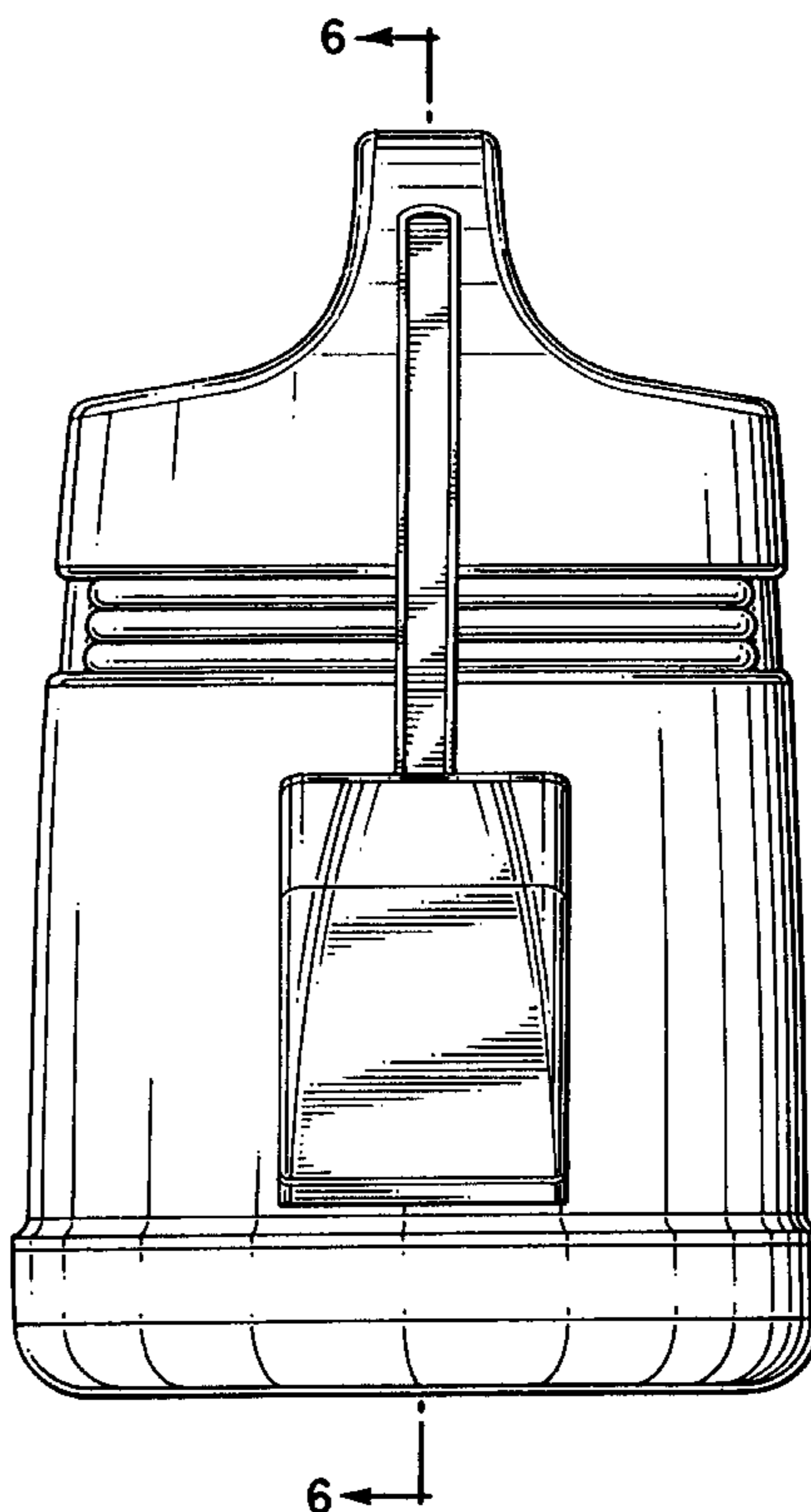
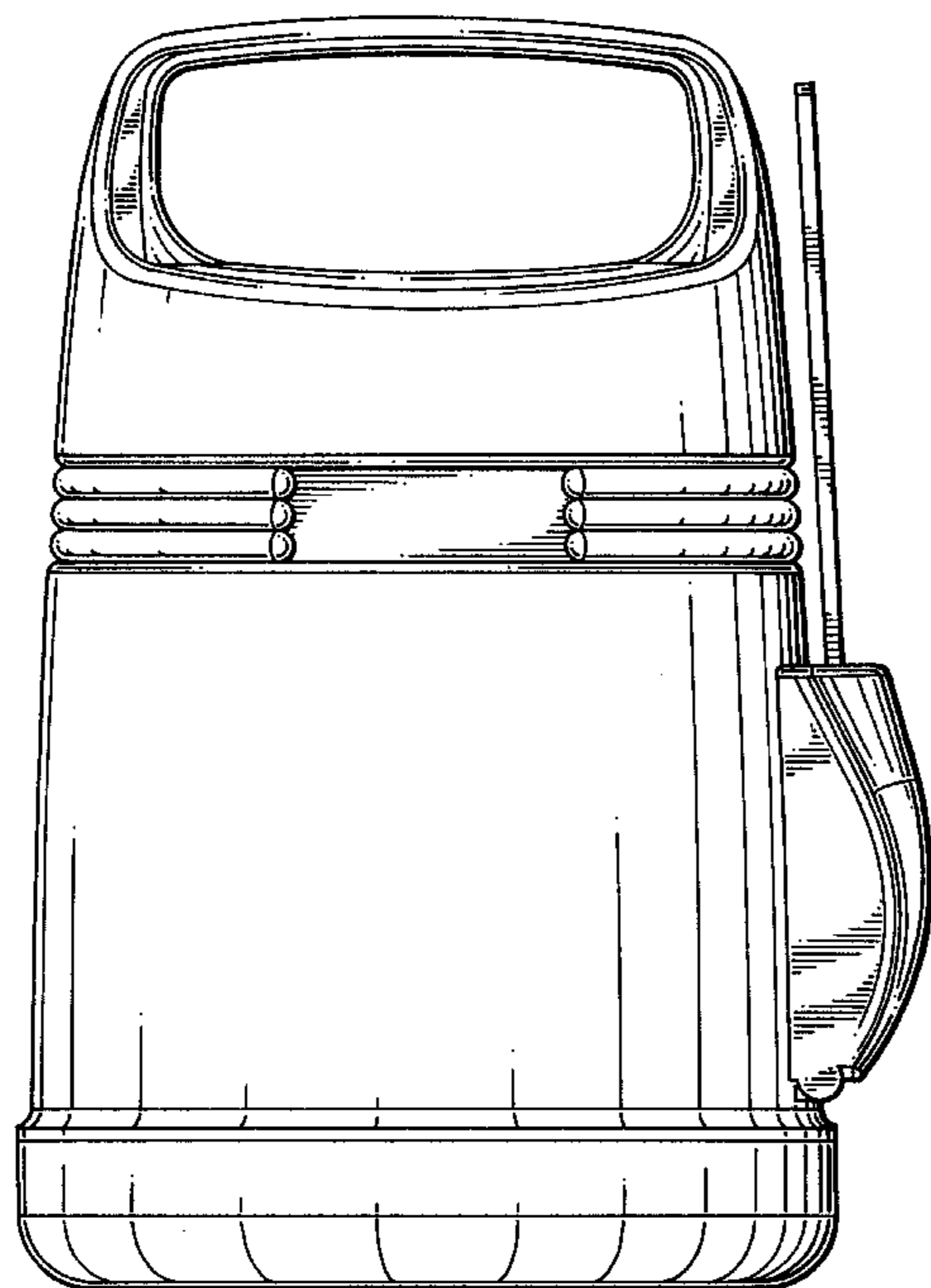
FIG. 7 is a front elevational view of an alternate embodiment of FIG. 1 shown without the spoon, with the rear view being identical thereto;

FIG. 8 is a right side elevational view of FIG. 7, with the left side view being identical;

FIG. 9 is a top plan view of FIG. 7; and,

FIG. 10 is a bottom plan view of FIG. 7.

1 Claim, 10 Drawing Sheets



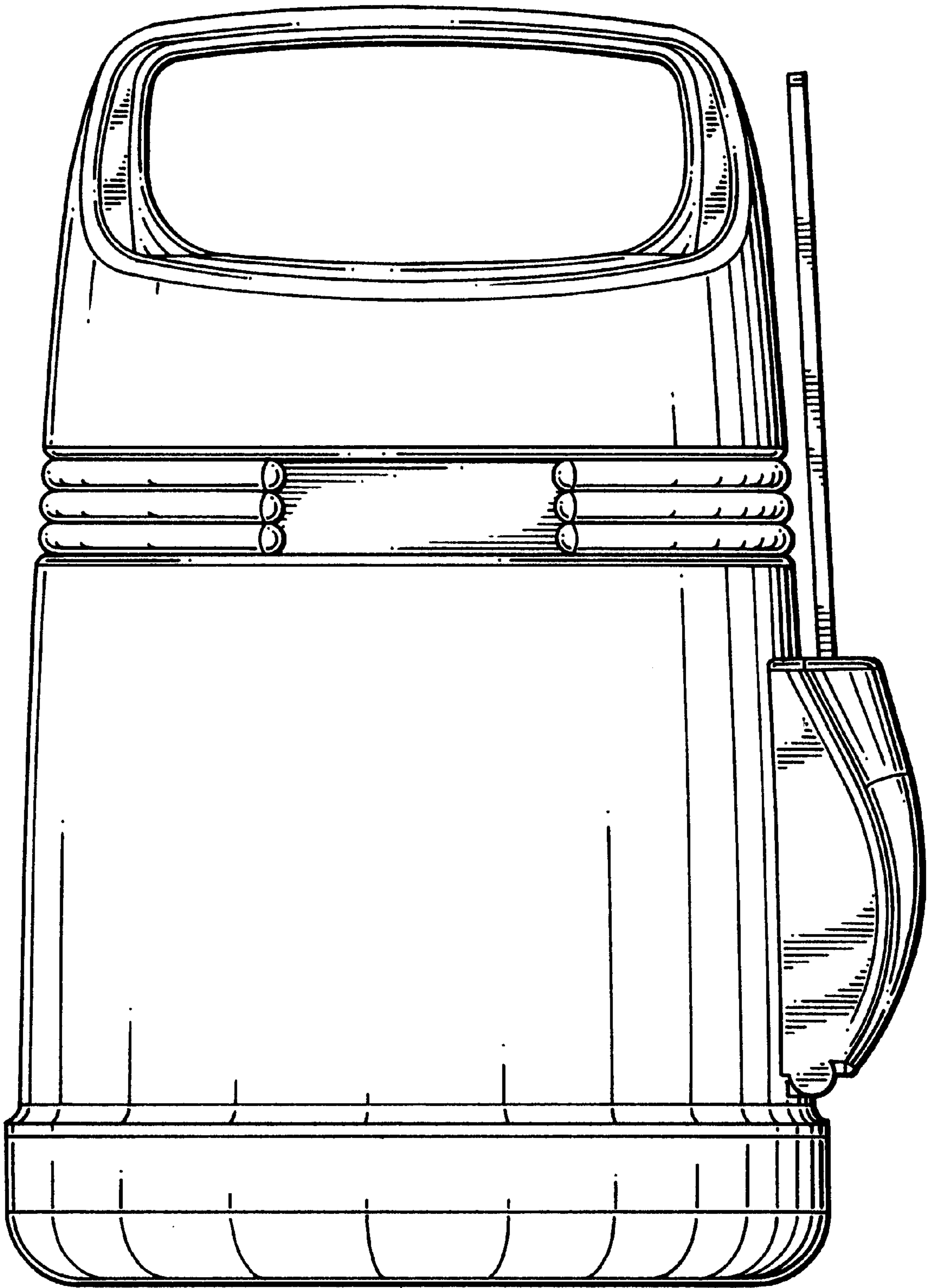


FIG. 1

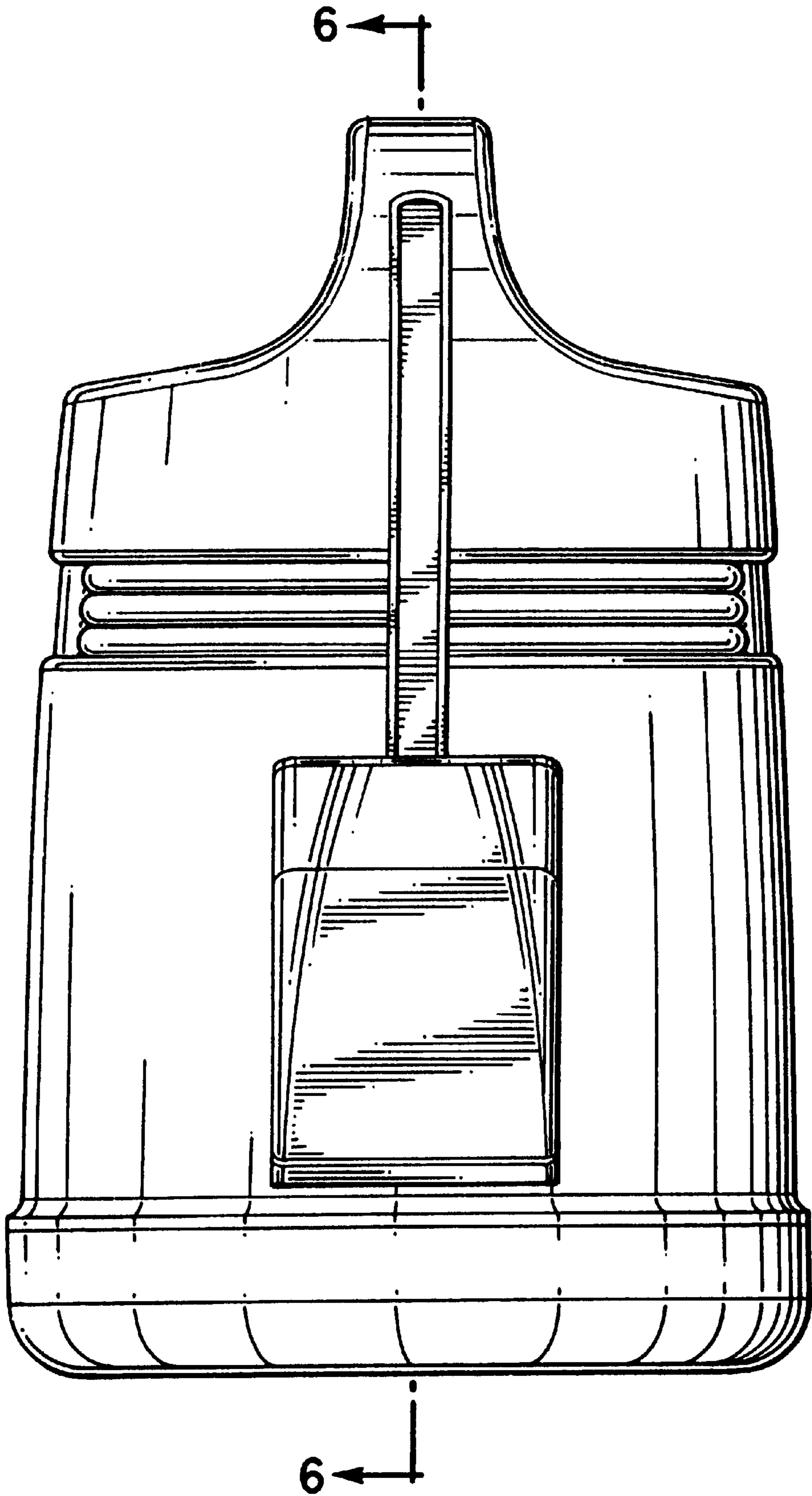


FIG. 2

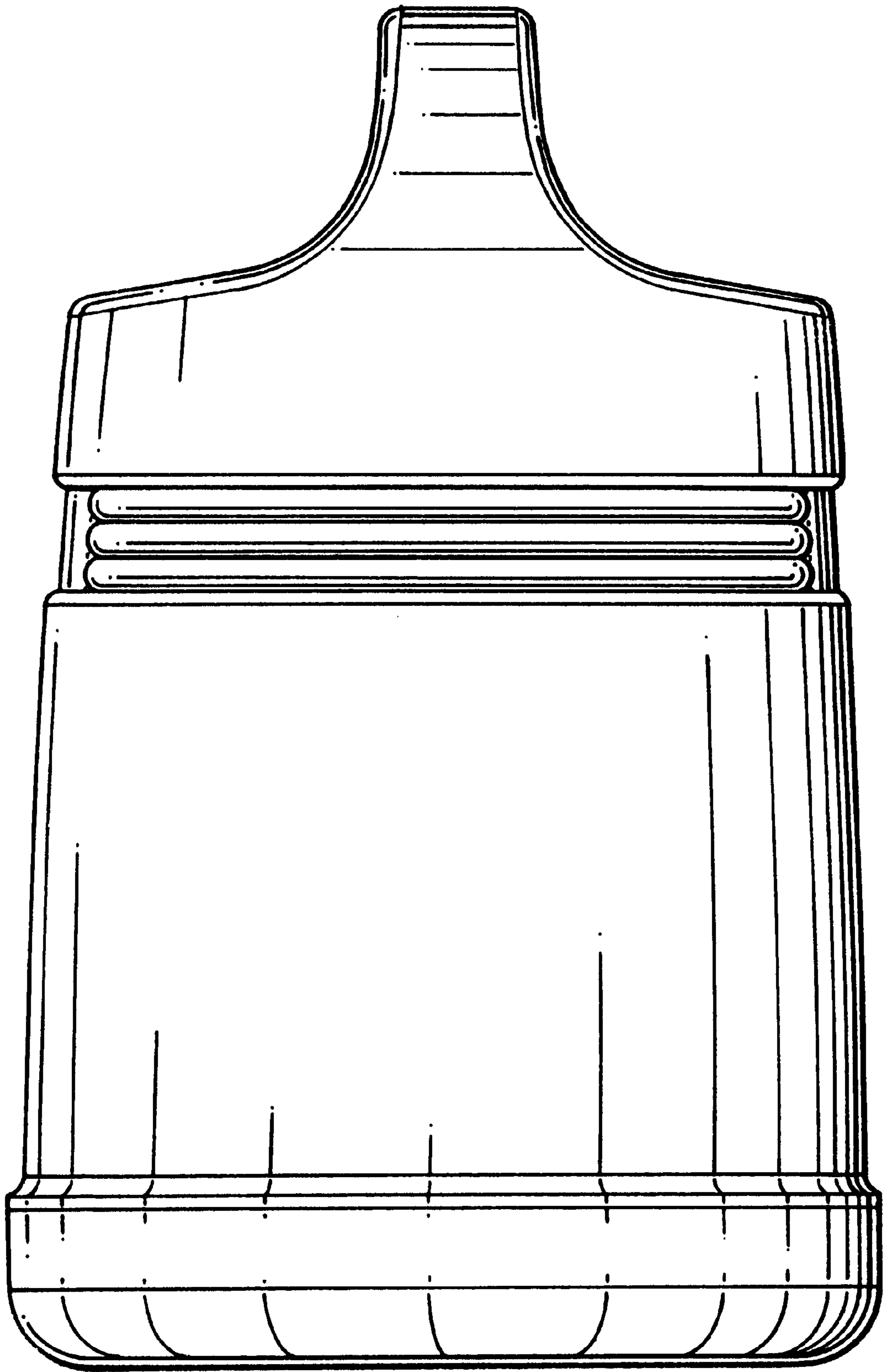


FIG.3

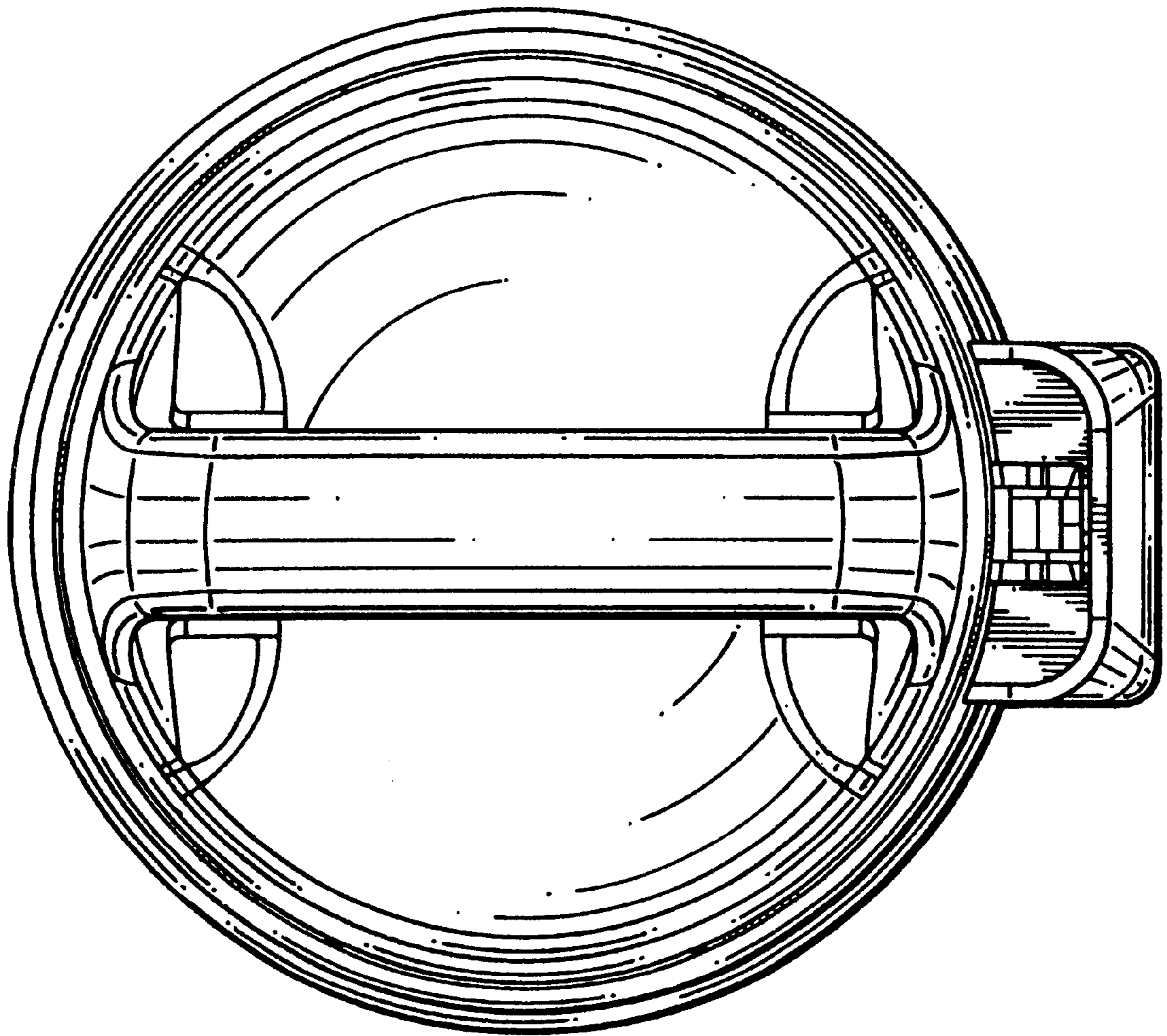


FIG. 4

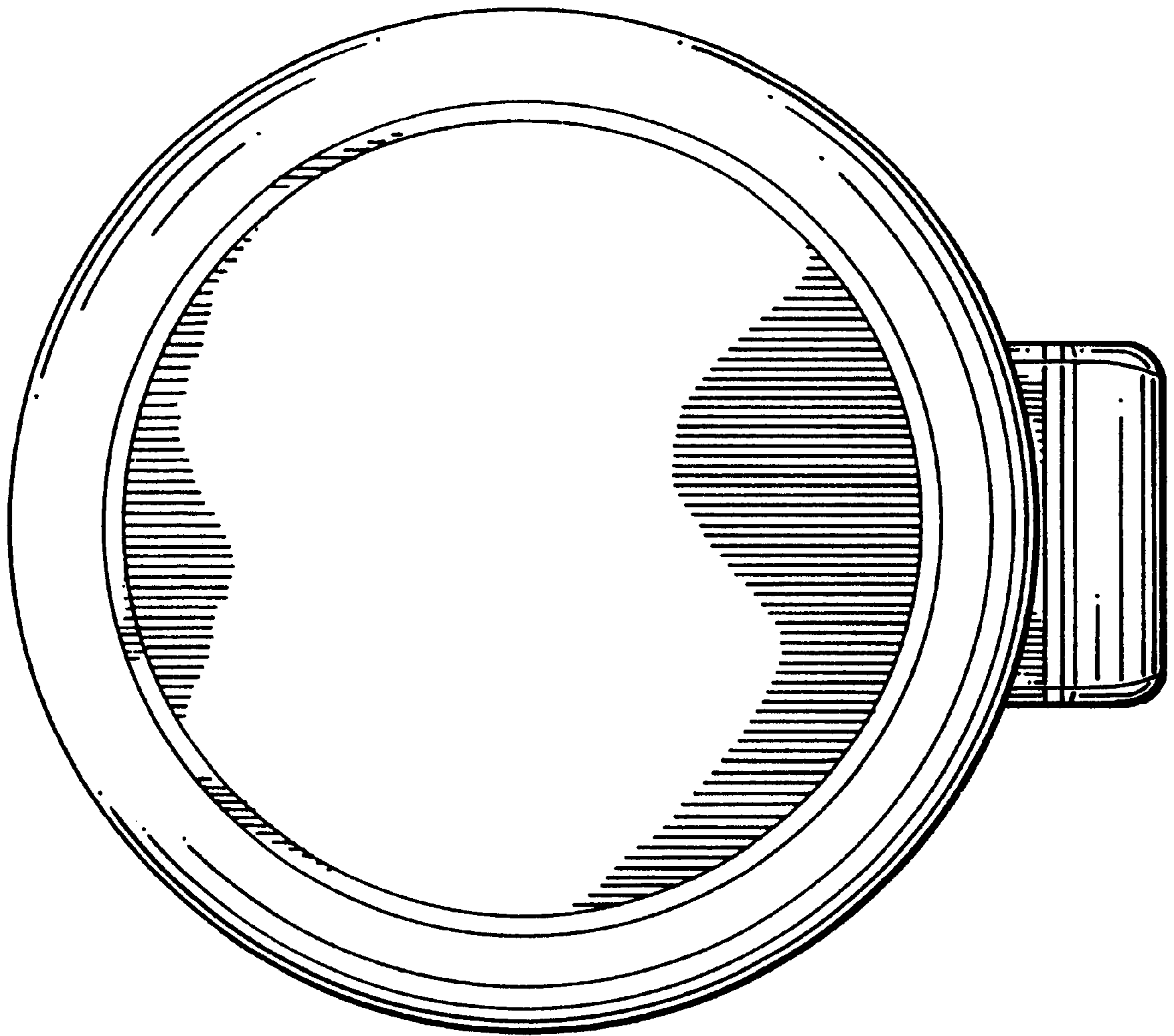


FIG. 5

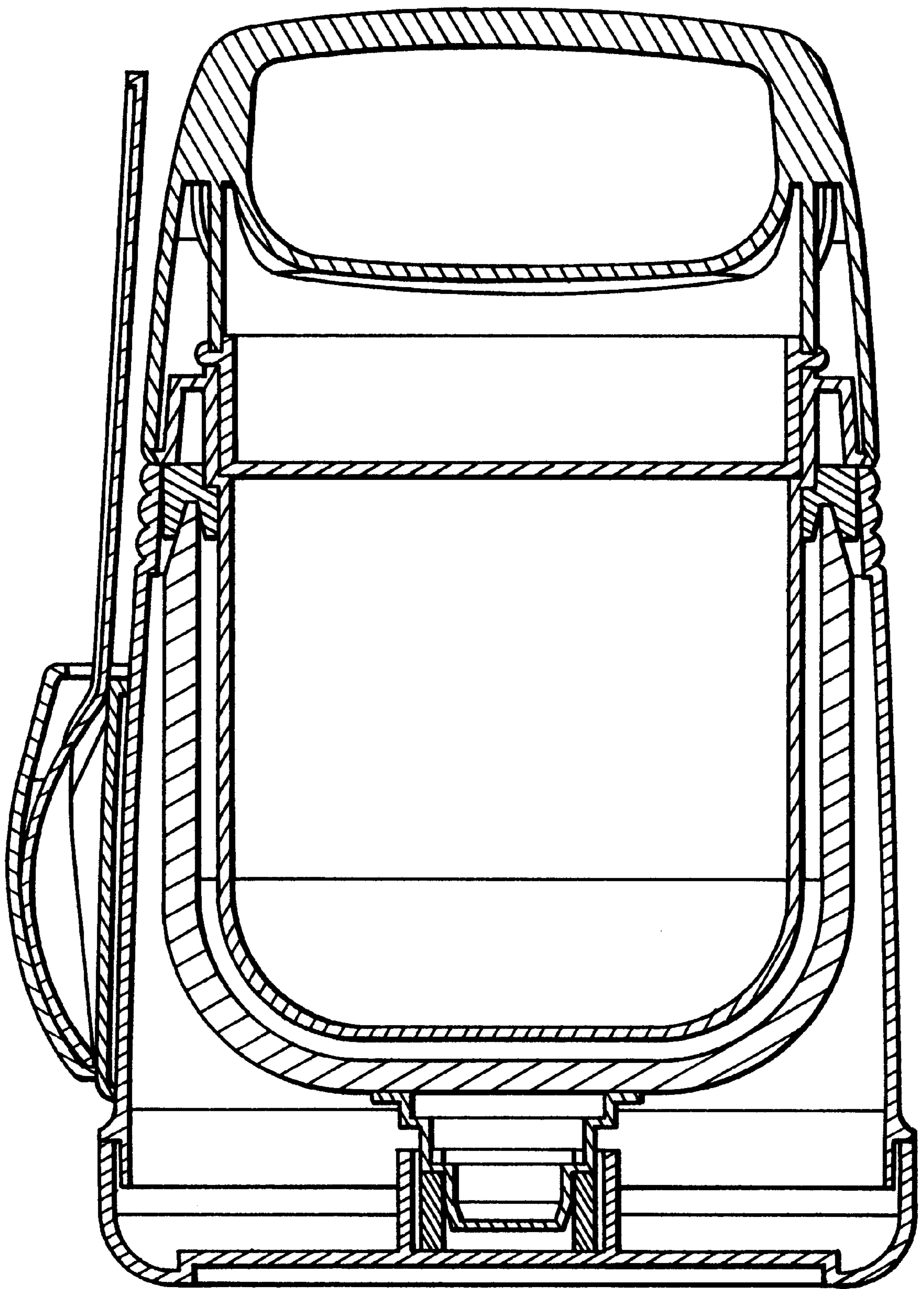


FIG. 6

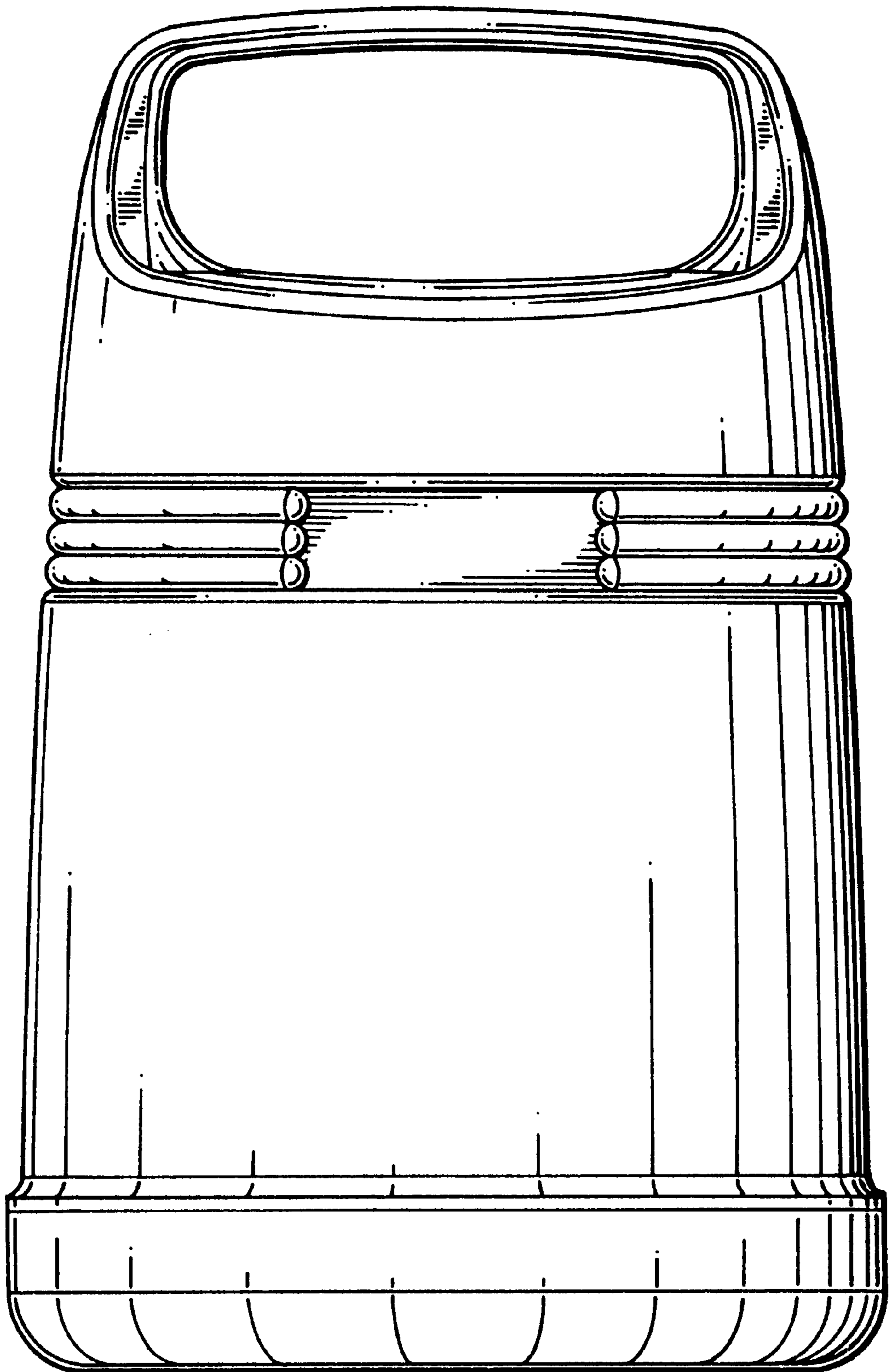


FIG. 7



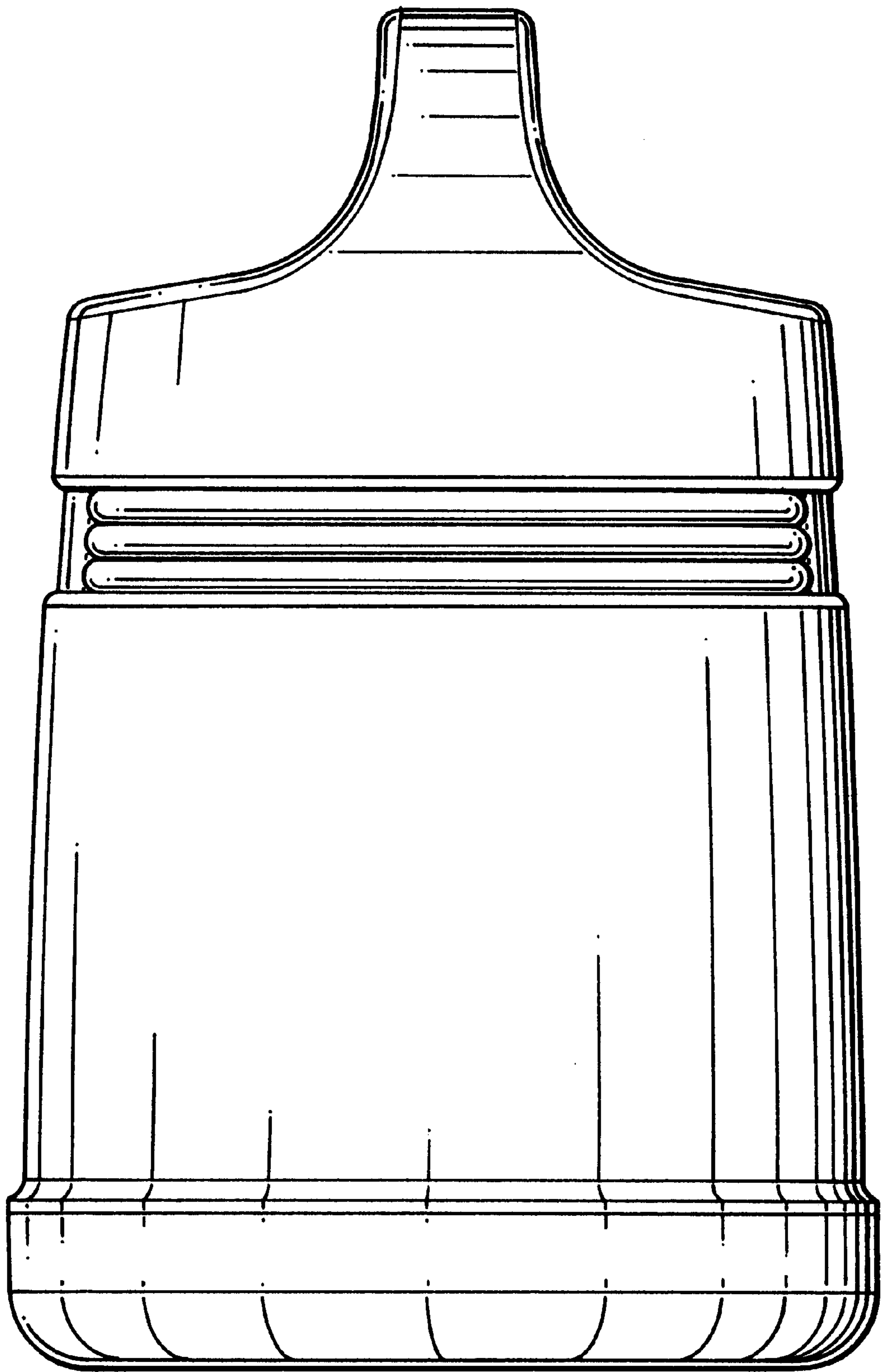


FIG. 8

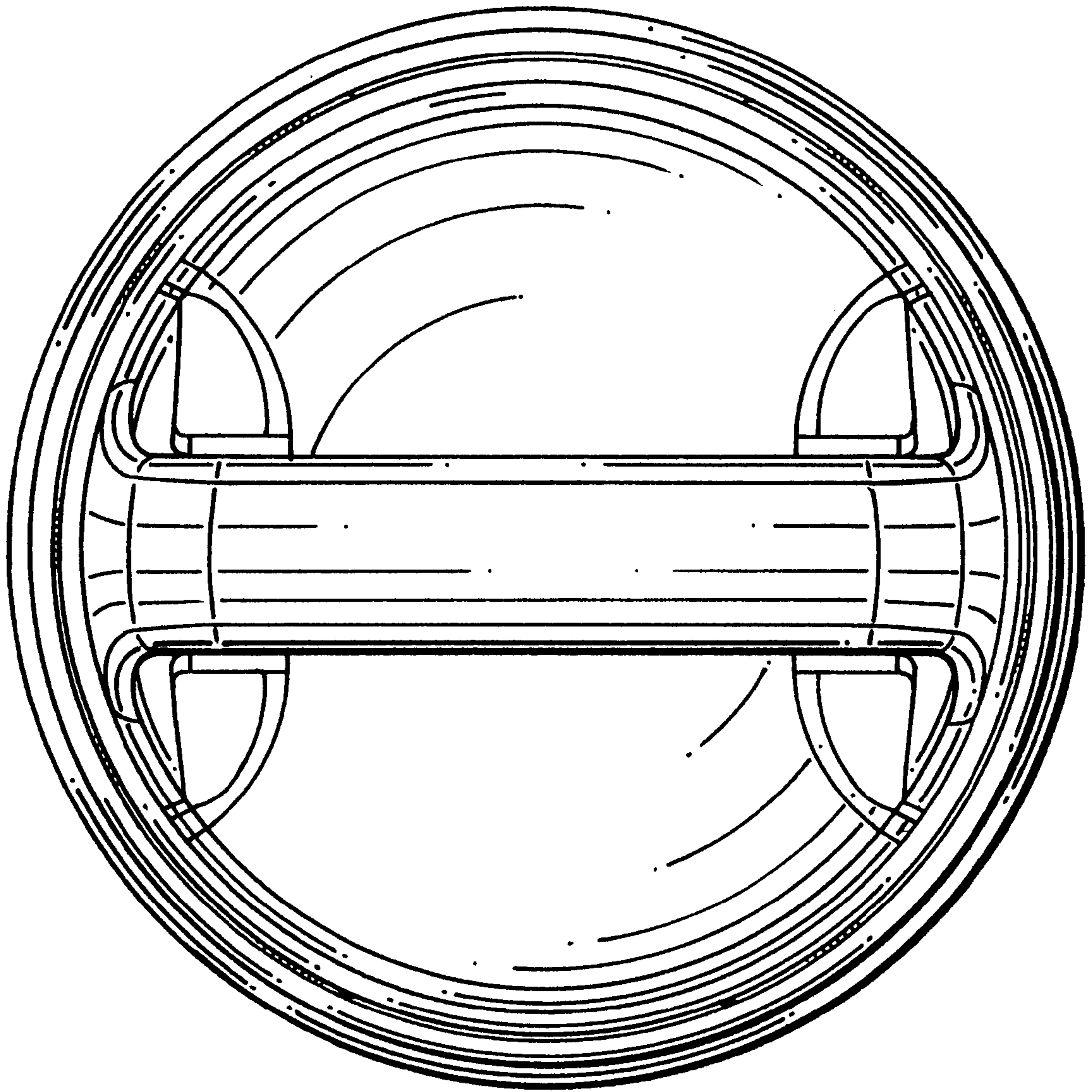


FIG. 9

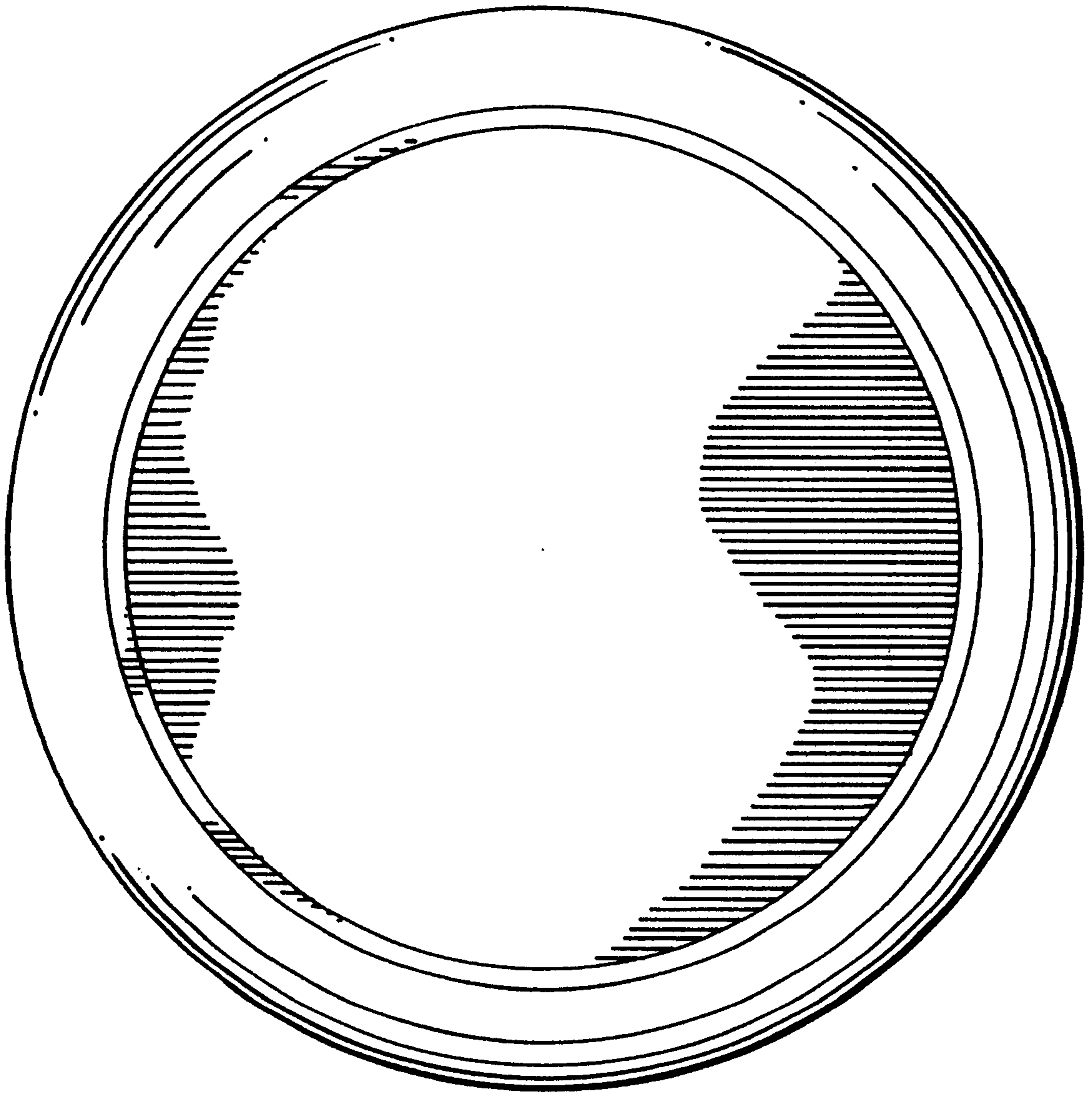


FIG.10